

Up-blast Wall Mount Details

Drill pilot holes into the bracket.

Secure wall mount bracket to the wall. Refer to **Table 1** for hardware details.

Use at least (3) suitable fasteners (not furnished) per side.

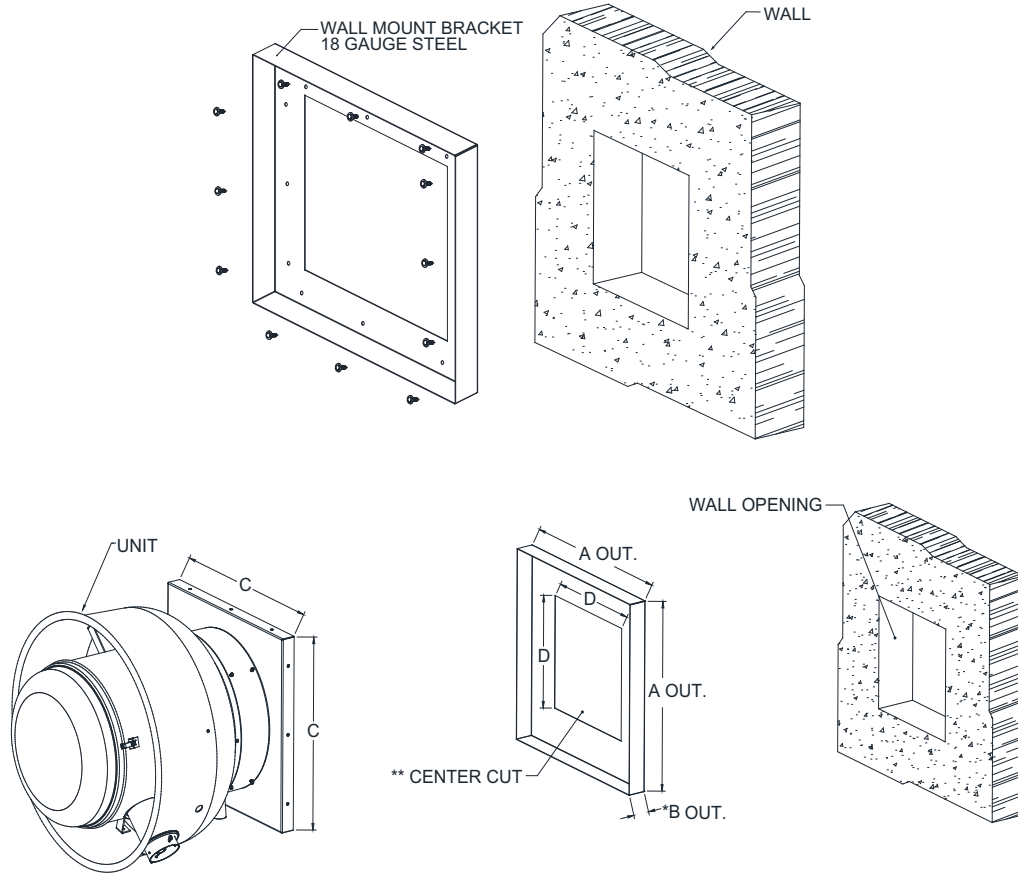
Wall bracket fits into base of fan.

Use self-drilling screws to attach unit to the wall mount bracket.

* "B" dimension = 5" when used with damper.

** Centered in wall mount.

Figure 5 - Wall Mount Bracket



A Outer	B Outer	C	D
18-1/2"	2"	19"	13"
20-1/2"	2"	21"	16"
21-1/2"	2"	22"	16"
24-1/4"	2"	24-3/4"	20"
25-1/2"	2"	26"	20"
27-1/2"	2"	28"	24"
32-1/2"	2"	33"	28"