

AEROVENT

INDUSTRIAL VENTILATION SYSTEMS



Model BSTAB
Belt Driven



Model BSTA
Direct Drive



**TUBEAXIAL FANS,
DIRECT DRIVE & BELT DRIVEN**

Models BSTA / BSTAB

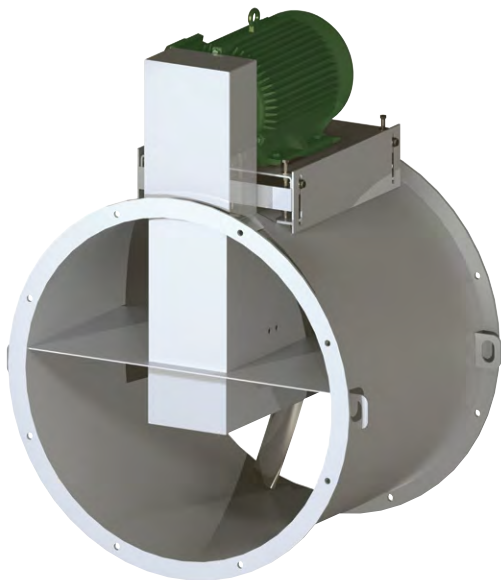
Tubeaxial Fans

Models BSTA / BSTAB

Direct Drive & Belt Driven



Motor Side View of BSTA
Direct Drive Tubeaxial Fan



Drive Side View of
BSTAB Belt Driven
Tubeaxial Fan

Aerovent BSTA and BSTAB Tubeaxial Fans are specifically designed for cost effective, reliable air movement in commercial and light industrial ducted and non-ducted applications. Direct and belt drive models are available with cast aluminum propellers to meet specific application requirements.

Sizes and Performance

- Direct drive sizes 14" to 48"
- Belt driven sizes 14" to 54"
- Airflow to 61,000 CFM
- Static pressures to 1½" w.g.

Construction Features

- Die cast aluminum blades and hubs.
- Continuously welded, heavy-gauge, corrosion resistant, enamel coated steel housing.
- Heavy-gauge steel motor and bearing supports provide maximum strength with minimal resistance to airflow.
- Flanged housings with prepunched mounting holes can easily be connected to ductwork.
- Dynamically balanced propellers for quiet, vibration-free operation.
- Designed for continuous duty.
- Available with a wide variety of ODP, TEFC and explosion proof ball bearing motors.
- Extended lube lines are standard on Model BSTAB fans.
- Externally mounted conduit box standard on model BSTA fans.

AEROVENT 
INDUSTRIAL VENTILATION SYSTEMS



Aerovent, a Twin City Fan Company certifies that the BSTA/BSTAB Series shown herein is licensed to bear the AMCA Seal. The Ratings shown are based on tests and procedures performed in accordance with AMCA Publication 211 and AMCA Publication 311 and comply with the AMCA Certified Ratings Program.

The AMCA Certified Ratings Seal applies to air and sound performance for Model BSTA Sizes 14B105, 16B105 and 18B105 on page 5 and Model BSTAB Sizes 14B105, 16B105 and 18B105 on pages 9-10.

The AMCA Certified Ratings Seal applies to the Fan Efficiency Grade for Model BSTA Sizes 21B105, 24B105, 30B105, 36B206, 42B304 and 48B304 on pages 6-8 and Model BSTAB Sizes 21B105, 24B105, 30B105, 36B206, 42B304, 48B304 and 54B406 on pages 11-17.

Accessories

Belt Guard

Totally enclosed belt guard protects personnel from rotating components by enclosing the motor sheaves and V-belt drive assembly. (Model BSTAB fans only.)

Motor Cover

A weatherproof motor cover is available on belt driven models to protect the motor and drive components. Motor covers also serve as an OSHA guard to protect personnel from rotating parts and can easily be removed for inspection. (Model BSTAB fans only.)

Inlet Bell

An inlet bell is recommended to minimize entrance losses for installations where the inlet of the fan is non-ducted. Inlet bell is flanged and punched to mate up with the standard flanged inlet.

Inlet and Outlet Screen

Inlet and outlet screens are available for added safety on non-ducted applications. Screens are removable for routine inspection and cleaning of the propeller.

Companion Flange

Inlet and outlet companion flanges are available for ease of duct connection. Companion flanges are rolled angle rings punched to match the standard inlet or outlet flange.

Mounting Brackets

Mounted to fan housing. Location varies with discharge orientation and mounting option. See page 4.

Access Door, Bolted

A bolted access door allows for inspection and maintenance of internal fan components.

Shaft Seal

Shaft seal consists of a non-asbestos rubbing ring at the wheel end of the inner cylinder. A shaft seal is recommended when the fan is exposed to wet, corrosive or dirty contaminants. The shaft seal does not make the fan gas tight. (Model BSTAB fans only.)

Spark Resistant Construction - Type B

Type B Spark Resistant Construction is available on belt driven fans with cast aluminum propellers only. (Model BSTAB fans only.)

Vibration Isolators

Rubber-in-shear and spring type isolators are available for floor and ceiling mounted installations.

Special Coatings

Aerovent has an in-house, specialty coating facility offering a wide range of protective coating solutions for fans that are exposed to corrosive atmospheres. Fans are coated with enamel as standard.

Disconnect Switch

A NEMA 1, 3R, 4 or 7/9 safety disconnect switch is available for positive electrical shutoff of the fan and the protection of service personnel. Disconnects are shipped loose for field mounting and wiring.

Metal Nameplate

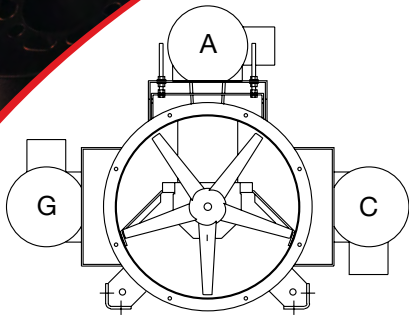
Available in aluminum or stainless steel.

Engineering Data

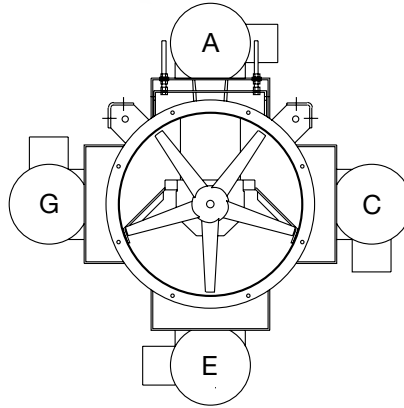
Material Specifications

| FAN SIZE | HOUSING (GAUGE) | PROPELLERS (GAUGES) | SHAFT SIZE (IN.) | APPROX. SHIP WT. (LB) | |
|----------|-----------------|----------------------|---|-----------------------|-------------|
| | | | | BSTA | BSTAB |
| | | | | W/ALUM PROP | W/ALUM PROP |
| 14 | 14 | DIE CAST ALUM. | ³ / ₄ | 33 | 40 |
| 16 | 14 | | ³ / ₄ | 53 | 67 |
| 18 | 14 | | ³ / ₄ | 60 | 75 |
| 21 | 14 | | ³ / ₄ | 85 | 104 |
| 24 | 14 | | 1 | 97 | 118 |
| 30 | 12 | | 1 | 149 | 183 |
| 36 | 12 | | ¹ ³ / ₁₆ | 234 | 288 |
| 42 | 12 | | ¹ ⁷ / ₁₆ | 305 | 375 |
| 48 | 12 | | ¹ ⁷ / ₁₆ | 547 | 664 |
| 54 | 12 | | ¹ ⁷ / ₁₆ | N/A | 803 |

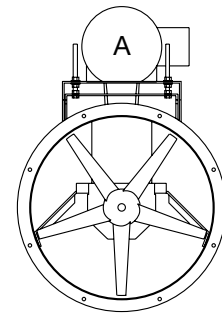
Mounting Arrangements



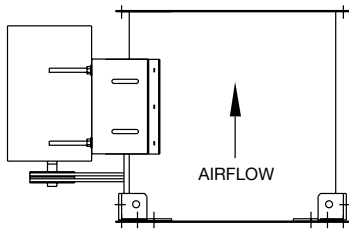
Horizontal Base Mounted (HBM)
(w/mounting brackets)



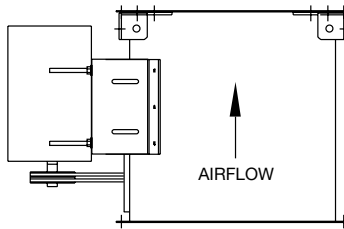
Horizontal Ceiling Hung (HCH)
(w/mounting brackets)



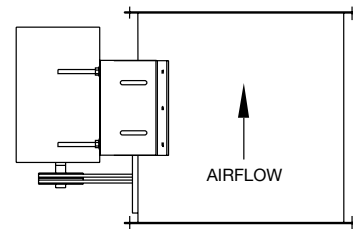
Horizontal (HOR)
(No mounting brackets)



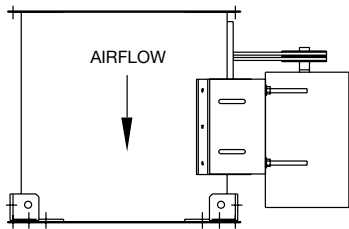
Vertical Up Floor Mounted (VUI)
(w/mounting brackets)



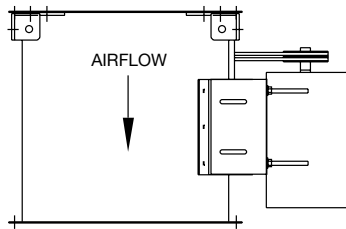
Vertical Up Ceiling Hung (VUO)
(w/mounting brackets)



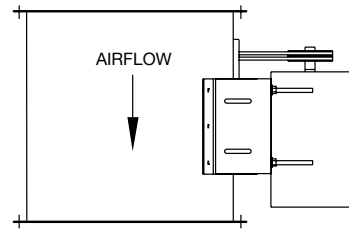
Vertical Up (VUN)
(No mounting brackets)



Vertical Down Floor Mounted (VDO)
(w/mounting brackets)



Vertical Down Ceiling Hung (VDI)
(w/mounting brackets)



Vertical Down (VDN)
(No mounting brackets)

Model Nomenclature

BSTAB - 24 - B - 1 - 05 - 25

Model _____

BSTA = Direct Drive
BSTAB = Belt Driven

Fan Size _____

Propeller Type _____

B = Backswept

Hub Designation _____

Blade Count _____

Blade Angle _____

Direct Drive

BSTA | Sizes 14 - 18

| SIZE | MODEL INFO | | MOTOR HP | FAN RPM | LwiA | STATIC PRESSURE (IN. W.G.) | | | | | | | | | | FAN EFF. GRADE | | | | | |
|----------|---------------|----------------|-----------------------------------|---------|------|----------------------------|-------|-------|-------|-------|-------|-------|-------|-------|-------|----------------|-------|--|--|--|--|
| | NO. OF BLADES | CATALOG NUMBER | | | | 0.000 | 0.125 | 0.250 | 0.375 | 0.500 | 0.625 | 0.750 | 0.875 | 1.000 | 1.250 | | 1.500 | | | | |
| 14 | 5 | BLADES | Outlet Area: 1.11 ft ² | | | | | | | | | | | | | N/A | | | | | |
| | | | 14B10510 | 1/4 | 1160 | 74 | CFM | 594 | 403 | | | | | | | | | | | | |
| | | | | | | | BHP | 0.02 | 0.02 | | | | | | | | | | | | |
| | | | 14B10515 | 1/4 | 1160 | 71 | CFM | 832 | 654 | | | | | | | | | | | | |
| | | | | | | | BHP | 0.03 | 0.03 | | | | | | | | | | | | |
| | | | 14B10520 | 1/4 | 1160 | 70 | CFM | 1052 | 860 | | | | | | | | | | | | |
| | | | | | | | BHP | 0.04 | 0.04 | | | | | | | | | | | | |
| | | | 14B10525 | 1/4 | 1160 | 68 | CFM | 1240 | 1047 | | | | | | | | | | | | |
| | | | | | | | BHP | 0.05 | 0.05 | | | | | | | | | | | | |
| | | | 14B10530 | 1/4 | 1160 | 68 | CFM | 1433 | 1216 | | | | | | | | | | | | |
| | | | | | | | BHP | 0.06 | 0.07 | | | | | | | | | | | | |
| | | | 14B10510 | 1/4 | 1750 | 86 | CFM | 896 | 778 | 645 | 498 | | | | | | | | | | |
| | | | | | | | BHP | 0.07 | 0.07 | 0.08 | 0.07 | | | | | | | | | | |
| | | | 14B10515 | 1/4 | 1750 | 82 | CFM | 1255 | 1154 | 1028 | 855 | 612 | | | | | | | | | |
| BHP | 0.10 | 0.11 | | | | | 0.11 | 0.12 | 0.12 | | | | | | | | | | | | |
| 14B10520 | 1/4 | 1750 | 78 | CFM | 1587 | 1466 | 1336 | 1175 | | | | | | | | | | | | | |
| | | | | BHP | 0.12 | 0.13 | 0.14 | 0.15 | | | | | | | | | | | | | |
| 14B10525 | 1/4 | 1750 | 78 | CFM | 1871 | 1750 | 1619 | 1462 | 1228 | | | | | | | | | | | | |
| | | | | BHP | 0.16 | 0.17 | 0.19 | 0.20 | 0.21 | | | | | | | | | | | | |
| 14B10530 | 1/4 | 1750 | 78 | CFM | 2161 | 2028 | 1879 | 1697 | 1396 | | | | | | | | | | | | |
| | | | | BHP | 0.21 | 0.23 | 0.25 | 0.26 | 0.26 | | | | | | | | | | | | |
| 16 | 5 | BLADES | Outlet Area: 1.44 ft ² | | | | | | | | | | | | | N/A | | | | | |
| | | | 16B10510 | 1/4 | 1160 | 78 | CFM | 925 | 692 | | | | | | | | | | | | |
| | | | | | | | BHP | 0.04 | 0.04 | | | | | | | | | | | | |
| | | | 16B10515 | 1/4 | 1160 | 76 | CFM | 1277 | 1070 | 700 | | | | | | | | | | | |
| | | | | | | | BHP | 0.05 | 0.06 | 0.06 | | | | | | | | | | | |
| | | | 16B10520 | 1/4 | 1160 | 74 | CFM | 1607 | 1374 | | | | | | | | | | | | |
| | | | | | | | BHP | 0.06 | 0.07 | | | | | | | | | | | | |
| | | | 16B10525 | 1/4 | 1160 | 71 | CFM | 1886 | 1649 | 1317 | | | | | | | | | | | |
| | | | | | | | BHP | 0.08 | 0.09 | 0.10 | | | | | | | | | | | |
| | | | 16B10530 | 1/4 | 1160 | 71 | CFM | 2176 | 1911 | 1503 | | | | | | | | | | | |
| | | | | | | | BHP | 0.11 | 0.13 | 0.13 | | | | | | | | | | | |
| | | | 16B10510 | 1/4 | 1750 | 90 | CFM | 1395 | 1252 | 1089 | 917 | 724 | | | | | | | | | |
| | | | | | | | BHP | 0.12 | 0.13 | 0.13 | 0.13 | 0.13 | | | | | | | | | |
| | | | 16B10515 | 1/4 | 1750 | 85 | CFM | 1927 | 1803 | 1659 | 1480 | 1227 | 922 | | | | | | | | |
| BHP | 0.17 | 0.18 | | | | | 0.19 | 0.20 | 0.21 | 0.20 | | | | | | | | | | | |
| 16B10520 | 1/4 | 1750 | 83 | CFM | 2424 | 2276 | 2118 | 1946 | 1721 | | | | | | | | | | | | |
| | | | | BHP | 0.21 | 0.23 | 0.25 | 0.26 | 0.27 | | | | | | | | | | | | |
| 16B10525 | 1/3 | 1750 | 81 | CFM | 2846 | 2695 | 2534 | 2363 | 2143 | 1861 | | | | | | | | | | | |
| | | | | BHP | 0.27 | 0.29 | 0.32 | 0.34 | 0.35 | 0.36 | | | | | | | | | | | |
| 16B10530 | 1/2 | 1750 | 81 | CFM | 3283 | 3118 | 2936 | 2734 | 2461 | 2130 | | | | | | | | | | | |
| | | | | BHP | 0.38 | 0.40 | 0.43 | 0.45 | 0.46 | 0.46 | | | | | | | | | | | |
| 18 | 5 | BLADES | Outlet Area: 1.82 ft ² | | | | | | | | | | | | | N/A | | | | | |
| | | | 18B10510 | 1/4 | 1160 | 82 | CFM | 1400 | 1114 | 755 | | | | | | | | | | | |
| | | | | | | | BHP | 0.05 | 0.06 | 0.06 | | | | | | | | | | | |
| | | | 18B10515 | 1/4 | 1160 | 78 | CFM | 1893 | 1639 | 1246 | | | | | | | | | | | |
| | | | | | | | BHP | 0.08 | 0.09 | 0.09 | | | | | | | | | | | |
| | | | 18B10520 | 1/4 | 1160 | 77 | CFM | 2364 | 2073 | 1700 | | | | | | | | | | | |
| | | | | | | | BHP | 0.10 | 0.11 | 0.12 | | | | | | | | | | | |
| | | | 18B10525 | 1/4 | 1160 | 71 | CFM | 2757 | 2455 | 2097 | | | | | | | | | | | |
| | | | | | | | BHP | 0.12 | 0.15 | 0.16 | | | | | | | | | | | |
| | | | 18B10530 | 1/4 | 1160 | 71 | CFM | 3160 | 2829 | 2394 | | | | | | | | | | | |
| | | | | | | | BHP | 0.17 | 0.20 | 0.21 | | | | | | | | | | | |
| | | | 18B10510 | 1/4 | 1750 | 93 | CFM | 2112 | 1938 | 1739 | 1528 | 1287 | 1024 | | | | | | | | |
| | | | | | | | BHP | 0.19 | 0.20 | 0.21 | 0.21 | 0.21 | 0.20 | | | | | | | | |
| | | | 18B10515 | 1/3 | 1750 | 88 | CFM | 2856 | 2701 | 2525 | 2319 | 2062 | 1705 | 1315 | | | | | | | |
| BHP | 0.26 | 0.28 | | | | | 0.30 | 0.31 | 0.32 | 0.32 | 0.31 | | | | | | | | | | |
| 18B10520 | 1/2 | 1750 | 87 | CFM | 3566 | 3381 | 3184 | 2975 | 2729 | 2423 | | | | | | | | | | | |
| | | | | BHP | 0.34 | 0.37 | 0.39 | 0.40 | 0.42 | 0.43 | | | | | | | | | | | |
| 18B10525 | 3/4 | 1750 | 82 | CFM | 4160 | 3966 | 3762 | 3550 | 3316 | 3026 | 2698 | | | | | | | | | | |
| | | | | BHP | 0.42 | 0.46 | 0.49 | 0.52 | 0.55 | 0.57 | 0.58 | | | | | | | | | | |
| 18B10530 | 3/4 | 1750 | 82 | CFM | 4767 | 4560 | 4335 | 4083 | 3795 | 3449 | 3123 | | | | | | | | | | |
| | | | | BHP | 0.60 | 0.64 | 0.68 | 0.71 | 0.73 | 0.74 | 0.75 | | | | | | | | | | |

NOTES:

- Performance certified is for installation Type B: Free inlet, ducted outlet.
- Performance ratings do not include the effects of appurtenances (accessories).
- The sound power level ratings shown are in decibels, referred to 10⁻¹² watts calculated per AMCA Standard 301.
- Values shown are for inlet LwiA sound power levels for installation Type B: Free inlet, ducted outlet. Ratings do not include the effects of end correction.
- Sound power values shown are at the peak cataloged pressure for each RPM.

Direct Drive

BSTA | Sizes 21 - 24

| SIZE | MODEL INFO | | MOTOR HP | FAN RPM | LwiA | STATIC PRESSURE (IN. W.G.) | | | | | | | | | | FAN EFF. GRADE | | | | | |
|----------|---------------|----------------|-----------------------------------|---------|-------|----------------------------|-------|-------|-------|-------|-------|-------|-------|-------|-------|----------------|-------|--|--|--|--|
| | NO. OF BLADES | CATALOG NUMBER | | | | 0.000 | 0.125 | 0.250 | 0.375 | 0.500 | 0.625 | 0.750 | 0.875 | 1.000 | 1.250 | | 1.500 | | | | |
| 21 | 5 | BLADES | Outlet Area: 2.46 ft ² | | | | | | | | | | | | | FEG75 | | | | | |
| | | | 21B10510 | 1/4 | 1160 | 85 | CFM | 2376 | 2018 | 1582 | | | | | | | | | | | |
| | | | | | | | BHP | 0.10 | 0.12 | 0.12 | | | | | | | | | | | |
| | | | 21B10515 | 1/4 | 1160 | 82 | CFM | 3138 | 2812 | 2385 | 1686 | | | | | | | | | | |
| | | | | | | | BHP | 0.14 | 0.16 | 0.18 | 0.18 | | | | | | | | | | |
| | | | 21B10520 | 1/4 | 1160 | 80 | CFM | 3881 | 3505 | 3070 | | | | | | | | | | | |
| | | | | | | | BHP | 0.20 | 0.22 | 0.24 | | | | | | | | | | | |
| | | | 21B10525 | 1/4 | 1160 | 75 | CFM | 4495 | 4097 | 3662 | 3104 | | | | | | | | | | |
| | | | | | | | BHP | 0.24 | 0.28 | 0.31 | 0.33 | | | | | | | | | | |
| | | | 21B10530 | 1/4 | 1160 | 74 | CFM | 5090 | 4672 | 4149 | | | | | | | | | | | |
| | | | | | | | BHP | 0.35 | 0.39 | 0.41 | | | | | | | | | | | |
| | | | 21B10510 | 1/2 | 1750 | 96 | CFM | 3584 | 3361 | 3117 | 2849 | 2563 | 2231 | 1852 | | | | | | | |
| BHP | 0.36 | 0.38 | | | | | 0.39 | 0.41 | 0.41 | 0.41 | 0.40 | | | | | | | | | | |
| 21B10515 | 3/4 | 1750 | 92 | CFM | 4734 | 4530 | 4307 | 4060 | 3777 | 3436 | 2992 | 2435 | | | | | | | | | |
| | | | | BHP | 0.50 | 0.53 | 0.56 | 0.58 | 0.61 | 0.62 | 0.62 | 0.60 | | | | | | | | | |
| 21B10520 | 3/4 | 1750 | 90 | CFM | 5856 | 5615 | 5361 | 5093 | 4807 | 4476 | 4086 | | | | | | | | | | |
| | | | | BHP | 0.67 | 0.71 | 0.75 | 0.78 | 0.80 | 0.83 | 0.85 | | | | | | | | | | |
| 21B10525 | 1 | 1750 | 84 | CFM | 6781 | 6523 | 6256 | 5979 | 5693 | 5380 | 5018 | | | | | | | | | | |
| | | | | BHP | 0.84 | 0.90 | 0.95 | 1.00 | 1.05 | 1.09 | 1.12 | | | | | | | | | | |
| 21B10530 | 1 1/2 | 1750 | 85 | CFM | 7679 | 7415 | 7131 | 6820 | 6468 | 6085 | 5671 | | | | | | | | | | |
| | | | | BHP | 1.19 | 1.26 | 1.31 | 1.36 | 1.40 | 1.43 | 1.45 | | | | | | | | | | |
| 24 | 5 | BLADES | Outlet Area: 3.21 ft ² | | | | | | | | | | | | | FEG80 | | | | | |
| | | | 24B10510 | 1/4 | 860 | 79 | CFM | 2791 | 2164 | | | | | | | | | | | | |
| | | | | | | | BHP | 0.08 | 0.09 | | | | | | | | | | | | |
| | | | 24B10515 | 1/4 | 860 | 77 | CFM | 3611 | 3013 | 1950 | | | | | | | | | | | |
| | | | | | | | BHP | 0.11 | 0.13 | 0.13 | | | | | | | | | | | |
| | | | 24B10520 | 1/4 | 860 | 77 | CFM | 4428 | 3759 | 2820 | | | | | | | | | | | |
| | | | | | | | BHP | 0.15 | 0.17 | 0.19 | | | | | | | | | | | |
| | | | 24B10525 | 1/4 | 860 | 73 | CFM | 5094 | 4392 | 3465 | | | | | | | | | | | |
| | | | | | | | BHP | 0.19 | 0.23 | 0.24 | | | | | | | | | | | |
| | | | 24B10530 | 1/4 | 860 | 72 | CFM | 5687 | 4945 | | | | | | | | | | | | |
| | | | | | | | BHP | 0.27 | 0.30 | | | | | | | | | | | | |
| | | | 24B10510 | 1/4 | 1160 | 89 | CFM | 3764 | 3334 | 2819 | 2140 | | | | | | | | | | |
| | | | | | | | BHP | 0.18 | 0.21 | 0.22 | 0.22 | | | | | | | | | | |
| | | | 24B10515 | 1/3 | 1160 | 84 | CFM | 4871 | 4459 | 3966 | 3286 | | | | | | | | | | |
| | | | | | | | BHP | 0.26 | 0.29 | 0.32 | 0.33 | | | | | | | | | | |
| | | | 24B10520 | 1/2 | 1160 | 83 | CFM | 5973 | 5502 | 4968 | 4312 | | | | | | | | | | |
| | | | | | | | BHP | 0.36 | 0.40 | 0.43 | 0.45 | | | | | | | | | | |
| | | | 24B10525 | 1/2 | 1160 | 79 | CFM | 6871 | 6367 | 5823 | 5180 | | | | | | | | | | |
| | | | | | | | BHP | 0.47 | 0.52 | 0.57 | 0.60 | | | | | | | | | | |
| | | | 24B10530 | 3/4 | 1160 | 80 | CFM | 7671 | 7163 | 6546 | 5788 | | | | | | | | | | |
| BHP | 0.65 | 0.71 | | | | | 0.75 | 0.76 | | | | | | | | | | | | | |
| 24B10510 | 3/4 | 1750 | 99 | CFM | 5679 | 5406 | 5114 | 4796 | 4453 | 4080 | 3643 | 3138 | | | | | | | | | |
| | | | | BHP | 0.64 | 0.67 | 0.70 | 0.73 | 0.75 | 0.76 | 0.75 | 0.74 | | | | | | | | | |
| 24B10515 | 1 | 1750 | 94 | CFM | 7348 | 7086 | 6807 | 6506 | 6179 | 5813 | 5382 | 4857 | 4190 | | | | | | | | |
| | | | | BHP | 0.89 | 0.93 | 0.98 | 1.03 | 1.07 | 1.10 | 1.13 | 1.14 | 1.11 | | | | | | | | |
| 24B10520 | 1 1/2 | 1750 | 93 | CFM | 9011 | 8709 | 8391 | 8056 | 7701 | 7319 | 6895 | 6419 | 5899 | | | | | | | | |
| | | | | BHP | 1.24 | 1.30 | 1.36 | 1.41 | 1.46 | 1.49 | 1.53 | 1.56 | 1.56 | | | | | | | | |
| 24B10525 | 2 | 1750 | 89 | CFM | 10365 | 10038 | 9700 | 9350 | 8989 | 8613 | 8201 | 7729 | 7200 | | | | | | | | |
| | | | | BHP | 1.62 | 1.70 | 1.77 | 1.84 | 1.91 | 1.97 | 2.02 | 2.05 | 2.06 | | | | | | | | |
| 24B10530 | 3 | 1750 | 90 | CFM | 11573 | 11250 | 10905 | 10534 | 10124 | 9662 | 9170 | 8638 | | | | | | | | | |
| | | | | BHP | 2.24 | 2.33 | 2.41 | 2.48 | 2.54 | 2.58 | 2.61 | 2.62 | | | | | | | | | |

NOTES:

1. Performance certified is for installation Type B: Free inlet, ducted outlet.
2. Performance ratings do not include the effects of appurtenances (accessories).
3. The sound power level ratings shown are in decibels, referred to 10⁻¹² watts calculated per AMCA Standard 301.
4. Values shown are for inlet LwiA sound power levels for installation Type B: Free inlet, ducted outlet. Ratings do not include the effects of end correction.
5. Sound power values shown are at the peak cataloged pressure for each RPM.

Direct Drive

BSTA | Sizes 30 - 36

| SIZE | MODEL INFO | | MOTOR HP | FAN RPM | LwiA | STATIC PRESSURE (IN. W.G.) | | | | | | | | | | FAN EFF. GRADE | | | | | |
|----------|---------------|----------------|-----------------------------------|---------|-------|----------------------------|-------|-------|-------|-------|-------|-------|-------|-------|-------|----------------|-------|-------|-------|--|--|
| | NO. OF BLADES | CATALOG NUMBER | | | | 0.000 | 0.125 | 0.250 | 0.375 | 0.500 | 0.625 | 0.750 | 0.875 | 1.000 | 1.250 | | 1.500 | | | | |
| 30 | 5 | BLADES | Outlet Area: 5.03 ft ² | | | | | | | | | | | | | FEG80 | | | | | |
| | | | 30B10510 | 1/4 | 860 | 84 | CFM | 6162 | 5308 | 4133 | | | | | | | | | | | |
| | | | | | | | BHP | 0.21 | 0.25 | 0.26 | | | | | | | | | | | |
| | | | 30B10515 | 1/4 | 860 | 80 | CFM | 7679 | 6781 | 5633 | | | | | | | | | | | |
| | | | | | | | BHP | 0.29 | 0.34 | 0.38 | | | | | | | | | | | |
| | | | 30B10520 | 1/3 | 860 | 79 | CFM | 9266 | 8268 | 7005 | | | | | | | | | | | |
| | | | | | | | BHP | 0.43 | 0.50 | 0.54 | | | | | | | | | | | |
| | | | 30B10525 | 1/2 | 860 | 80 | CFM | 10531 | 9444 | 8148 | | | | | | | | | | | |
| | | | | | | | BHP | 0.61 | 0.67 | 0.71 | | | | | | | | | | | |
| | | | 30B10530 | 3/4 | 860 | 82 | CFM | 11398 | 10385 | 8944 | | | | | | | | | | | |
| | | | | | | | BHP | 0.81 | 0.87 | 0.88 | | | | | | | | | | | |
| | | | 30B10510 | 1/2 | 1160 | 92 | CFM | 8311 | 7705 | 7033 | 6230 | 5117 | | | | | | | | | |
| | | | | | | | BHP | 0.50 | 0.56 | 0.61 | 0.64 | 0.64 | | | | | | | | | |
| | | | 30B10515 | 3/4 | 1160 | 87 | CFM | 10358 | 9717 | 9016 | 8219 | 7192 | 5607 | | | | | | | | |
| | | | | | | | BHP | 0.71 | 0.78 | 0.85 | 0.91 | 0.95 | 0.90 | | | | | | | | |
| | | | 30B10520 | 1 | 1160 | 87 | CFM | 12499 | 11793 | 11000 | 10077 | 9072 | 7905 | | | | | | | | |
| | | | | | | | BHP | 1.06 | 1.16 | 1.24 | 1.29 | 1.33 | 1.33 | | | | | | | | |
| | | | 30B10525 | 1 1/2 | 1160 | 88 | CFM | 14204 | 13423 | 12583 | 11673 | 10544 | 9208 | | | | | | | | |
| BHP | 1.50 | 1.59 | | | | | 1.66 | 1.72 | 1.73 | 1.70 | | | | | | | | | | | |
| 30B10530 | 2 | 1160 | 89 | CFM | 15375 | 14666 | 13850 | 12829 | 11568 | | | | | | | | | | | | |
| | | | | BHP | 1.99 | 2.08 | 2.15 | 2.17 | 2.15 | | | | | | | | | | | | |
| 30B10510 | 1 1/2 | 1750 | 102 | CFM | 12539 | 12147 | 11740 | 11312 | 10866 | 10394 | 9876 | 9292 | 8624 | 6874 | | | | | | | |
| | | | | BHP | 1.73 | 1.82 | 1.91 | 1.99 | 2.06 | 2.11 | 2.16 | 2.20 | 2.21 | 2.14 | | | | | | | |
| 30B10515 | 2 | 1750 | 96 | CFM | 15626 | 15212 | 14782 | 14334 | 13867 | 13381 | 12864 | 12296 | 11657 | 10080 | | | | | | | |
| | | | | BHP | 2.45 | 2.56 | 2.67 | 2.77 | 2.87 | 2.97 | 3.06 | 3.14 | 3.21 | 3.24 | | | | | | | |
| 30B10520 | 3 | 1750 | 96 | CFM | 18856 | 18402 | 17927 | 17428 | 16901 | 16335 | 15727 | 15093 | 14443 | 13021 | | | | | | | |
| | | | | BHP | 3.65 | 3.80 | 3.94 | 4.07 | 4.18 | 4.29 | 4.37 | 4.44 | 4.51 | 4.59 | | | | | | | |
| 30B10525 | 5 | 1750 | 97 | CFM | 21429 | 20921 | 20398 | 19858 | 19298 | 18724 | 18130 | 17498 | 16795 | 15111 | | | | | | | |
| | | | | BHP | 5.15 | 5.29 | 5.42 | 5.55 | 5.66 | 5.76 | 5.84 | 5.91 | 5.95 | 5.92 | | | | | | | |
| 36 | 6 | BLADES | Outlet Area: 7.27 ft ² | | | | | | | | | | | | | FEG75 | | | | | |
| | | | 36B20610 | 1/2 | 860 | 87 | CFM | 6985 | 5998 | 4858 | 3404 | 1577 | | | | | | | | | |
| | | | | | | | BHP | 0.36 | 0.37 | 0.36 | 0.33 | 0.27 | | | | | | | | | |
| | | | 36B20615 | 3/4 | 860 | 86 | CFM | 9587 | 8528 | 7277 | 5749 | | | | | | | | | | |
| | | | | | | | BHP | 0.50 | 0.58 | 0.59 | 0.58 | | | | | | | | | | |
| | | | 36B20620 | 1 | 860 | 83 | CFM | 12189 | 11091 | 9795 | 8223 | | | | | | | | | | |
| | | | | | | | BHP | 0.71 | 0.81 | 0.86 | 0.86 | | | | | | | | | | |
| | | | 36B20625 | 1 1/2 | 860 | 81 | CFM | 14791 | 13670 | 12359 | 10788 | 8814 | | | | | | | | | |
| | | | | | | | BHP | 0.97 | 1.08 | 1.15 | 1.19 | 1.16 | | | | | | | | | |
| | | | 36B20630 | 1 1/2 | 860 | 81 | CFM | 16828 | 15589 | 14095 | 12388 | | | | | | | | | | |
| | | | | | | | BHP | 1.39 | 1.47 | 1.52 | 1.52 | | | | | | | | | | |
| | | | 36B20610 | 1 | 1160 | 93 | CFM | 9422 | 8711 | 7948 | 7122 | 6215 | 5177 | 3845 | 2466 | | 1268 | | | | |
| | | | | | | | BHP | 0.87 | 0.90 | 0.91 | 0.90 | 0.89 | 0.85 | 0.77 | 0.68 | | 0.57 | | | | |
| | | | 36B20615 | 1 1/2 | 1160 | 93 | CFM | 12932 | 12172 | 11348 | 10440 | 9442 | 8320 | 6978 | 4445 | | | | | | |
| | | | | | | | BHP | 1.24 | 1.35 | 1.42 | 1.45 | 1.46 | 1.43 | 1.37 | 1.17 | | | | | | |
| | | | 36B20620 | 3 | 1160 | 91 | CFM | 16441 | 15652 | 14800 | 13862 | 12826 | 11671 | 10354 | 8545 | | | | | | |
| | | | | | | | BHP | 1.75 | 1.89 | 2.00 | 2.08 | 2.12 | 2.13 | 2.09 | 1.98 | | | | | | |
| | | | 36B20625 | 5 | 1160 | 89 | CFM | 19951 | 19144 | 18276 | 17329 | 16280 | 15126 | 13830 | 12334 | | | | | | |
| | | | | | | | BHP | 2.39 | 2.54 | 2.67 | 2.78 | 2.86 | 2.91 | 2.91 | 2.87 | | | | | | |
| | | | 36B20630 | 5 | 1160 | 89 | CFM | 22698 | 21810 | 20846 | 19775 | 18563 | 17307 | 15948 | 14431 | | | | | | |
| | | | | | | | BHP | 3.41 | 3.53 | 3.63 | 3.70 | 3.73 | 3.74 | 3.72 | 3.68 | | | | | | |
| | | | 36B20610 | 5 | 1750 | 106 | CFM | 14214 | 13751 | 13275 | 12785 | 12278 | 11753 | 11210 | 10645 | | 10056 | 8796 | 7297 | | |
| | | | | | | | BHP | 3.00 | 3.04 | 3.07 | 3.09 | 3.11 | 3.12 | 3.12 | 3.10 | | 3.08 | 3.00 | 2.85 | | |
| | | | 36B20615 | 7 1/2 | 1750 | 104 | CFM | 19509 | 19016 | 18506 | 17979 | 17432 | 16860 | 16263 | 15642 | | 14995 | 13604 | 12050 | | |
| BHP | 4.25 | 4.42 | | | | | 4.58 | 4.72 | 4.83 | 4.91 | 4.96 | 5.00 | 5.01 | 4.98 | 4.88 | | | | | | |
| 36B20620 | 7 1/2 | 1750 | 100 | CFM | 24803 | 24291 | 23762 | 23216 | 22649 | 22060 | 21444 | 20799 | 20126 | 18688 | 17094 | | | | | | |
| | | | | BHP | 6.01 | 6.23 | 6.44 | 6.63 | 6.80 | 6.95 | 7.06 | 7.16 | 7.23 | 7.31 | 7.29 | | | | | | |
| 36B20625 | 10 | 1750 | 95 | CFM | 30098 | 29573 | 29033 | 28475 | 27899 | 27302 | 26680 | 26028 | 25347 | 23897 | 22310 | | | | | | |
| | | | | BHP | 8.19 | 8.43 | 8.65 | 8.87 | 9.07 | 9.25 | 9.42 | 9.57 | 9.70 | 9.90 | 10.00 | | | | | | |

NOTES:

- Performance certified is for installation Type B: Free inlet, ducted outlet.
- Performance ratings do not include the effects of appurtenances (accessories).
- The sound power level ratings shown are in decibels, referred to 10⁻¹² watts calculated per AMCA Standard 301.
- Values shown are for inlet LwiA sound power levels for installation Type B: Free inlet, ducted outlet. Ratings do not include the effects of end correction.
- Sound power values shown are at the peak cataloged pressure for each RPM.

Direct Drive

BSTA | Sizes 42 - 48

| SIZE | MODEL INFO | | MOTOR HP | FAN RPM | LwiA | STATIC PRESSURE (IN. W.G.) | | | | | | | | | | FAN EFF. GRADE | | | | | |
|----------|---------------|----------------|------------------------------------|---------|-------|----------------------------|-------|-------|-------|-------|-------|-------|-------|-------|-------|----------------|-------|--|--|--|--|
| | NO. OF BLADES | CATALOG NUMBER | | | | 0.000 | 0.125 | 0.250 | 0.375 | 0.500 | 0.625 | 0.750 | 0.875 | 1.000 | 1.250 | | 1.500 | | | | |
| 42 | 4 | BLADES | Outlet Area: 9.85 ft ² | | | | | | | | | | | | | FEG80 | | | | | |
| | | | 42B30410 | 1 | 860 | 91 | CFM | 12260 | 10914 | 9282 | 7011 | | | | | | | | | | |
| | | | | | | | BHP | 0.64 | 0.67 | 0.69 | 0.66 | | | | | | | | | | |
| | | | 42B30415 | 1 1/2 | 860 | 88 | CFM | 15864 | 14404 | 12743 | | | | | | | | | | | |
| | | | | | | | BHP | 0.98 | 1.04 | 1.08 | | | | | | | | | | | |
| | | | 42B30420 | 2 | 860 | 86 | CFM | 19509 | 17937 | 16234 | 14286 | | | | | | | | | | |
| | | | | | | | BHP | 1.41 | 1.49 | 1.55 | 1.57 | | | | | | | | | | |
| | | | 42B30425 | 3 | 860 | 86 | CFM | 23084 | 21442 | 19720 | 17833 | 15549 | | | | | | | | | |
| | | | | | | | BHP | 1.94 | 2.04 | 2.12 | 2.17 | 2.16 | | | | | | | | | |
| | | | 42B30430 | 3 | 860 | 86 | CFM | 25814 | 24056 | 22164 | 19814 | | | | | | | | | | |
| | | | | | | | BHP | 2.66 | 2.72 | 2.77 | 2.76 | | | | | | | | | | |
| | | | 42B30410 | 2 | 1160 | 98 | CFM | 16537 | 15576 | 14524 | 13349 | 12013 | 10353 | 8253 | | | | | | | |
| BHP | 1.57 | 1.62 | | | | | 1.66 | 1.69 | 1.68 | 1.65 | 1.58 | | | | | | | | | | |
| 42B30415 | 3 | 1160 | 96 | CFM | 21397 | 20344 | 19219 | 18017 | 16701 | 15218 | | | | | | | | | | | |
| | | | | BHP | 2.42 | 2.49 | 2.56 | 2.63 | 2.66 | 2.65 | | | | | | | | | | | |
| 42B30420 | 5 | 1160 | 95 | CFM | 26315 | 25171 | 23974 | 22729 | 21405 | 19978 | 18335 | 16326 | | | | | | | | | |
| | | | | BHP | 3.47 | 3.57 | 3.66 | 3.75 | 3.82 | 3.85 | 3.84 | 3.78 | | | | | | | | | |
| 42B30425 | 7 1/2 | 1160 | 95 | CFM | 31137 | 29934 | 28694 | 27426 | 26118 | 24720 | 23230 | 21495 | 19459 | | | | | | | | |
| | | | | BHP | 4.77 | 4.91 | 5.04 | 5.14 | 5.23 | 5.30 | 5.33 | 5.31 | 5.24 | | | | | | | | |
| 42B30430 | 7 1/2 | 1160 | 94 | CFM | 34819 | 33542 | 32200 | 30811 | 29349 | 27631 | 25519 | | | | | | | | | | |
| | | | | BHP | 6.53 | 6.61 | 6.69 | 6.75 | 6.81 | 6.80 | 6.71 | | | | | | | | | | |
| 48 | 4 | BLADES | Outlet Area: 12.90 ft ² | | | | | | | | | | | | | FEG75 | | | | | |
| | | | 48B30410 | 1 1/2 | 860 | 94 | CFM | 17012 | 15311 | 13181 | 10539 | | | | | | | | | | |
| | | | | | | | BHP | 1.09 | 1.12 | 1.13 | 1.09 | | | | | | | | | | |
| | | | 48B30415 | 2 | 860 | 91 | CFM | 22171 | 20354 | 18159 | | | | | | | | | | | |
| | | | | | | | BHP | 1.67 | 1.72 | 1.78 | | | | | | | | | | | |
| | | | 48B30420 | 3 | 860 | 90 | CFM | 27339 | 25424 | 23211 | 20788 | | | | | | | | | | |
| | | | | | | | BHP | 2.39 | 2.47 | 2.53 | 2.55 | | | | | | | | | | |
| | | | 48B30425 | 5 | 860 | 88 | CFM | 32492 | 30501 | 28280 | 25849 | 23184 | | | | | | | | | |
| | | | | | | | BHP | 3.26 | 3.36 | 3.43 | 3.47 | 3.48 | | | | | | | | | |
| | | | 48B30430 | 5 | 860 | 90 | CFM | 36129 | 34039 | 31639 | 28734 | | | | | | | | | | |
| | | | | | | | BHP | 4.50 | 4.55 | 4.57 | 4.53 | | | | | | | | | | |
| | | | 48B30410 | 3 | 1160 | 101 | CFM | 22946 | 21748 | 20389 | 18815 | 17171 | 15249 | 12871 | | | | | | | |
| BHP | 2.67 | 2.72 | | | | | 2.77 | 2.79 | 2.76 | 2.71 | 2.62 | | | | | | | | | | |
| 48B30415 | 5 | 1160 | 99 | CFM | 29905 | 28609 | 27185 | 25582 | 23873 | 22098 | | | | | | | | | | | |
| | | | | BHP | 4.09 | 4.17 | 4.24 | 4.32 | 4.36 | 4.33 | | | | | | | | | | | |
| 48B30420 | 7 1/2 | 1160 | 97 | CFM | 36875 | 35498 | 34017 | 32405 | 30671 | 28881 | 26993 | 24776 | | | | | | | | | |
| | | | | BHP | 5.87 | 5.97 | 6.07 | 6.16 | 6.24 | 6.27 | 6.25 | 6.19 | | | | | | | | | |
| 48B30425 | 10 | 1160 | 96 | CFM | 43826 | 42385 | 40859 | 39234 | 37512 | 35709 | 33856 | 31874 | 29561 | | | | | | | | |
| | | | | BHP | 8.00 | 8.14 | 8.27 | 8.37 | 8.44 | 8.49 | 8.53 | 8.54 | 8.48 | | | | | | | | |

NOTES:

1. Performance certified is for installation Type B: Free inlet, ducted outlet.
2. Performance ratings do not include the effects of appurtenances (accessories).
3. The sound power level ratings shown are in decibels, referred to 10⁻¹² watts calculated per AMCA Standard 301.
4. Values shown are for inlet LwiA sound power levels for installation Type B: Free inlet, ducted outlet. Ratings do not include the effects of end correction.
5. Sound power values shown are at the peak cataloged pressure for each RPM.

Belt Driven

BSTAB | Sizes 14 - 16

| SIZE | MODEL INFO | | MOTOR HP | FAN RPM | LwiA | STATIC PRESSURE (IN. W.G.) | | | | | | | | | | | FAN EFF. GRADE | | | |
|----------|---------------|-----------------------------------|----------|---------|------|----------------------------|-------|-------|-------|-------|-------|-------|-------|-------|-------|-------|----------------|--|--|--|
| | NO. OF BLADES | CATALOG NUMBER | | | | 0.000 | 0.125 | 0.250 | 0.375 | 0.500 | 0.625 | 0.750 | 0.875 | 1.000 | 1.250 | 1.500 | | | | |
| 14 | 5 BLADES | Outlet Area: 1.11 ft ² | | | | | | | | | | | N/A | | | | | | | |
| | | 14B10520 | 1/4 | 2094 | 82 | CFM | 1885 | 1788 | 1683 | 1566 | 1438 | | | | | | | | | |
| | | | | | | BHP | 0.22 | 0.24 | 0.25 | 0.26 | 0.27 | | | | | | | | | |
| | | 14B10525 | 1/4 | 1909 | 79 | CFM | 2016 | 1910 | 1789 | 1647 | 1478 | | | | | | | | | |
| | | | | | | BHP | 0.22 | 0.23 | 0.25 | 0.26 | 0.27 | | | | | | | | | |
| | | 14B10530 | 1/4 | 1762 | 78 | CFM | 2132 | 2003 | 1847 | 1648 | 1380 | | | | | | | | | |
| | | | | | | BHP | 0.24 | 0.25 | 0.26 | 0.27 | 0.27 | | | | | | | | | |
| | | 14B10520 | 1/3 | 2297 | 84 | CFM | 2067 | 1980 | 1886 | 1784 | 1674 | 1553 | | | | | | | | |
| | | | | | | BHP | 0.29 | 0.31 | 0.32 | 0.33 | 0.34 | 0.36 | | | | | | | | |
| | | 14B10525 | 1/3 | 2094 | 81 | CFM | 2211 | 2116 | 2010 | 1889 | 1751 | 1587 | | | | | | | | |
| | | | | | | BHP | 0.29 | 0.31 | 0.32 | 0.34 | 0.35 | 0.36 | | | | | | | | |
| | | 14B10530 | 1/3 | 1933 | 79 | CFM | 2339 | 2223 | 2089 | 1925 | 1717 | | | | | | | | | |
| | | | | | | BHP | 0.31 | 0.33 | 0.34 | 0.36 | 0.36 | | | | | | | | | |
| | | 14B10520 | 1/2 | 2638 | 87 | CFM | 2374 | 2299 | 2220 | 2135 | 2045 | 1950 | | 1848 | 1736 | | | | | |
| BHP | 0.45 | | | | | 0.46 | 0.48 | 0.49 | 0.51 | 0.52 | 0.53 | 0.54 | | | | | | | | |
| 14B10525 | 1/2 | 2405 | 84 | CFM | 2540 | 2457 | 2369 | 2272 | 2165 | 2046 | 1915 | 1758 | | | | | | | | |
| | | | | BHP | 0.44 | 0.46 | 0.48 | 0.49 | 0.51 | 0.53 | 0.54 | 0.55 | | | | | | | | |
| 14B10530 | 1/2 | 2220 | 82 | CFM | 2686 | 2587 | 2477 | 2351 | 2204 | 2030 | 1819 | | | | | | | | | |
| | | | | BHP | 0.47 | 0.49 | 0.51 | 0.53 | 0.54 | 0.55 | 0.55 | | | | | | | | | |
| 14B10520 | 3/4 | 3020 | 91 | CFM | 2718 | 2653 | 2585 | 2514 | 2439 | 2361 | 2279 | 2193 | 2103 | 1893 | | | | | | |
| | | | | BHP | 0.67 | 0.69 | 0.71 | 0.72 | 0.74 | 0.76 | 0.77 | 0.78 | 0.80 | 0.82 | | | | | | |
| 14B10525 | 3/4 | 2753 | 86 | CFM | 2907 | 2836 | 2760 | 2680 | 2594 | 2501 | 2401 | 2293 | 2174 | | | | | | | |
| | | | | BHP | 0.66 | 0.68 | 0.70 | 0.72 | 0.74 | 0.76 | 0.78 | 0.80 | 0.81 | | | | | | | |
| 14B10530 | 3/4 | 2541 | 85 | CFM | 3075 | 2989 | 2896 | 2795 | 2683 | 2555 | 2413 | 2240 | 2056 | | | | | | | |
| | | | | BHP | 0.71 | 0.73 | 0.75 | 0.77 | 0.79 | 0.80 | 0.82 | 0.82 | 0.82 | | | | | | | |
| 16 | 5 BLADES | Outlet Area: 1.44 ft ² | | | | | | | | | | | N/A | | | | | | | |
| | | 16B10520 | 1/4 | 1741 | 83 | CFM | 2376 | 2233 | 2073 | 1892 | 1675 | | | | | | | | | |
| | | | | | | BHP | 0.22 | 0.24 | 0.25 | 0.26 | 0.27 | | | | | | | | | |
| | | 16B10525 | 1/4 | 1585 | 78 | CFM | 2526 | 2365 | 2179 | 1960 | 1681 | | | | | | | | | |
| | | | | | | BHP | 0.22 | 0.24 | 0.25 | 0.27 | 0.28 | | | | | | | | | |
| | | 16B10530 | 1/4 | 1458 | 76 | CFM | 2655 | 2456 | 2206 | 1879 | | | | | | | | | | |
| | | | | | | BHP | 0.24 | 0.25 | 0.27 | 0.27 | | | | | | | | | | |
| | | 16B10520 | 1/3 | 1910 | 86 | CFM | 2607 | 2478 | 2336 | 2179 | 2006 | 1796 | | | | | | | | |
| | | | | | | BHP | 0.30 | 0.31 | 0.33 | 0.34 | 0.35 | 0.36 | | | | | | | | |
| | | 16B10525 | 1/3 | 1739 | 80 | CFM | 2772 | 2627 | 2464 | 2277 | 2059 | | | | | | | | | |
| | | | | | | BHP | 0.29 | 0.31 | 0.33 | 0.34 | 0.36 | | | | | | | | | |
| | | 16B10530 | 1/3 | 1600 | 78 | CFM | 2914 | 2735 | 2523 | 2259 | 1944 | | | | | | | | | |
| | | | | | | BHP | 0.31 | 0.33 | 0.35 | 0.36 | 0.36 | | | | | | | | | |
| | | 16B10520 | 1/2 | 2194 | 88 | CFM | 2995 | 2884 | 2765 | 2636 | 2497 | 2348 | | 2179 | | | | | | |
| BHP | 0.45 | | | | | 0.47 | 0.49 | 0.50 | 0.52 | 0.53 | 0.54 | | | | | | | | | |
| 16B10525 | 1/2 | 1997 | 83 | CFM | 3183 | 3058 | 2923 | 2773 | 2607 | 2422 | 2200 | | | | | | | | | |
| | | | | BHP | 0.43 | 0.46 | 0.48 | 0.50 | 0.52 | 0.54 | 0.55 | | | | | | | | | |
| 16B10530 | 1/2 | 1837 | 81 | CFM | 3345 | 3192 | 3021 | 2819 | 2581 | 2306 | | | | | | | | | | |
| | | | | BHP | 0.47 | 0.49 | 0.52 | 0.53 | 0.54 | 0.55 | | | | | | | | | | |
| 16B10520 | 3/4 | 2511 | 90 | CFM | 3428 | 3331 | 3230 | 3122 | 3009 | 2888 | 2760 | 2625 | 2471 | | | | | | | |
| | | | | BHP | 0.67 | 0.69 | 0.72 | 0.74 | 0.75 | 0.77 | 0.79 | 0.80 | 0.82 | | | | | | | |
| 16B10525 | 3/4 | 2286 | 86 | CFM | 3644 | 3536 | 3421 | 3298 | 3165 | 3021 | 2865 | 2689 | 2491 | | | | | | | |
| | | | | BHP | 0.65 | 0.68 | 0.71 | 0.73 | 0.76 | 0.78 | 0.80 | 0.82 | 0.83 | | | | | | | |
| 16B10530 | 3/4 | 2103 | 84 | CFM | 3830 | 3698 | 3554 | 3396 | 3214 | 3009 | 2767 | 2532 | | | | | | | | |
| | | | | BHP | 0.71 | 0.73 | 0.76 | 0.78 | 0.80 | 0.81 | 0.82 | 0.82 | | | | | | | | |

NOTES:

1. Performance certified is for installation Type B: Free inlet, ducted outlet.
2. Power rating (BHP) does not include transmission losses).
3. Performance ratings do not include the effects of appurtenances (accessories).
4. The sound power level ratings shown are in decibels, referred to 10⁻¹² watts calculated per AMCA Standard 301.
5. Values shown are for inlet LwiA sound power levels for installation Type B: Free inlet, ducted outlet. Ratings do not include the effects of end correction.
6. Sound power values shown are at the peak cataloged pressure for each RPM.

Belt Driven

BSTAB | Size 18

| SIZE | MODEL INFO | | MOTOR HP | FAN RPM | Lw _{iA} | STATIC PRESSURE (IN. W.G.) | | | | | | | | | | FAN EFF. GRADE | | |
|------|---------------|----------------|----------|---------|------------------|-----------------------------------|-------|-------|-------|-------|-------|-------|-------|-------|-------|----------------|-------|--|
| | NO. OF BLADES | CATALOG NUMBER | | | | 0.000 | 0.125 | 0.250 | 0.375 | 0.500 | 0.625 | 0.750 | 0.875 | 1.000 | 1.250 | | 1.500 | |
| 18 | 5 | BLADES | 1/4 | 1494 | 82 | Outlet Area: 1.82 ft ² | | | | | | | | | | N/A | | |
| | | | | | | CFM | 2976 | 2764 | 2521 | 2242 | | | | | | | | |
| | | | BHP | 0.23 | 0.24 | 0.26 | 0.27 | | | | | | | | | | | |
| | | | 1/4 | 1355 | 75 | CFM | 3127 | 2883 | 2601 | 2266 | | | | | | | | |
| | | | | | | BHP | 0.21 | 0.24 | 0.26 | 0.27 | | | | | | | | |
| | | | 1/4 | 1244 | 74 | CFM | 3257 | 2954 | 2576 | 2158 | | | | | | | | |
| | | | | | | BHP | 0.23 | 0.26 | 0.27 | 0.28 | | | | | | | | |
| | | | 1/3 | 1639 | 84 | CFM | 3265 | 3074 | 2860 | 2619 | 2342 | | | | | | | |
| | | | | | | BHP | 0.30 | 0.32 | 0.33 | 0.35 | 0.36 | | | | | | | |
| | | | 1/3 | 1486 | 78 | CFM | 3430 | 3209 | 2962 | 2682 | 2347 | | | | | | | |
| | | | | | | BHP | 0.28 | 0.31 | 0.33 | 0.35 | 0.36 | | | | | | | |
| | | | 1/3 | 1365 | 75 | CFM | 3574 | 3302 | 2977 | 2593 | | | | | | | | |
| | | | | | | BHP | 0.31 | 0.33 | 0.35 | 0.36 | | | | | | | | |
| | | | 1/2 | 1883 | 89 | CFM | 3751 | 3587 | 3409 | 3214 | 3001 | 2767 | 2483 | | | | | |
| | | | | | | BHP | 0.45 | 0.47 | 0.50 | 0.51 | 0.53 | 0.54 | 0.55 | | | | | |
| | | | 1/2 | 1707 | 81 | CFM | 3940 | 3750 | 3545 | 3318 | 3070 | 2782 | | | | | | |
| | | | | | | BHP | 0.43 | 0.46 | 0.49 | 0.51 | 0.53 | 0.55 | | | | | | |
| | | | 1/2 | 1567 | 79 | CFM | 4102 | 3870 | 3608 | 3301 | 2962 | | | | | | | |
| | | | | | | BHP | 0.47 | 0.50 | 0.52 | 0.54 | 0.55 | | | | | | | |
| | | | 3/4 | 2155 | 90 | CFM | 4293 | 4150 | 4000 | 3839 | 3665 | 3480 | 3284 | 3059 | | | | |
| BHP | 0.68 | 0.70 | | | | 0.73 | 0.75 | 0.77 | 0.79 | 0.81 | 0.82 | | | | | | | |
| 3/4 | 1954 | 84 | CFM | 4510 | 4346 | 4172 | 3985 | 3784 | 3568 | 3331 | 3063 | | | | | | | |
| | | | BHP | 0.64 | 0.68 | 0.71 | 0.74 | 0.77 | 0.80 | 0.82 | 0.83 | | | | | | | |
| 3/4 | 1794 | 82 | CFM | 4697 | 4496 | 4278 | 4034 | 3760 | 3461 | 3185 | | | | | | | | |
| | | | BHP | 0.70 | 0.74 | 0.77 | 0.79 | 0.81 | 0.82 | 0.83 | | | | | | | | |

NOTES:

1. Performance certified is for installation Type B: Free inlet, ducted outlet.
2. Power rating (BHP) does not include transmission losses).
3. Performance ratings do not include the effects of appurtenances (accessories).
4. The sound power level ratings shown are in decibels, referred to 10⁻¹² watts calculated per AMCA Standard 301.
5. Values shown are for inlet Lw_{iA} sound power levels for installation Type B: Free inlet, ducted outlet. Ratings do not include the effects of end correction.
6. Sound power values shown are at the peak cataloged pressure for each RPM.

Belt Driven

BSTAB | Size 21

| SIZE | MODEL INFO | | MOTOR HP | FAN RPM | LwiA | STATIC PRESSURE (IN. W.G.) | | | | | | | | | | FAN EFF. GRADE | | | | | |
|----------|---------------|-----------------------------------|----------|---------|------|----------------------------|-------|-------|-------|-------|-------|-------|-------|-------|-------|----------------|-------|--|--|--|--|
| | NO. OF BLADES | CATALOG NUMBER | | | | 0.000 | 0.125 | 0.250 | 0.375 | 0.500 | 0.625 | 0.750 | 0.875 | 1.000 | 1.250 | | 1.500 | | | | |
| 21 | 5 BLADES | Outlet Area: 2.46 ft ² | | | | | | | | | | | | | | FEG71 | | | | | |
| | | 21B10520 | 1/4 | 1197 | 80 | CFM | 3877 | 3525 | 3104 | | | | | | | | | | | | |
| | | | | | | BHP | 0.23 | 0.25 | 0.27 | | | | | | | | | | | | |
| | | 21B10525 | 1/4 | 1086 | 72 | CFM | 4038 | 3630 | 3150 | | | | | | | | | | | | |
| | | | | | | BHP | 0.22 | 0.25 | 0.27 | | | | | | | | | | | | |
| | | 21B10530 | 1/4 | 1000 | 70 | CFM | 4173 | 3667 | | | | | | | | | | | | | |
| | | | | | | BHP | 0.24 | 0.27 | | | | | | | | | | | | | |
| | | 21B10520 | 1/3 | 1313 | 82 | CFM | 4253 | 3937 | 3570 | 3148 | | | | | | | | | | | |
| | | | | | | BHP | 0.30 | 0.33 | 0.35 | 0.36 | | | | | | | | | | | |
| | | 21B10525 | 1/3 | 1192 | 74 | CFM | 4432 | 4066 | 3645 | | | | | | | | | | | | |
| | | | | | | BHP | 0.29 | 0.32 | 0.35 | | | | | | | | | | | | |
| | | 21B10530 | 1/3 | 1097 | 73 | CFM | 4578 | 4125 | 3581 | | | | | | | | | | | | |
| | | | | | | BHP | 0.32 | 0.35 | 0.36 | | | | | | | | | | | | |
| | | 21B10520 | 1/2 | 1507 | 86 | CFM | 4881 | 4610 | 4309 | 3969 | 3593 | | | | | | | | | | |
| | | | | | | BHP | 0.46 | 0.48 | 0.51 | 0.53 | 0.55 | | | | | | | | | | |
| | | 21B10525 | 1/2 | 1369 | 77 | CFM | 5090 | 4776 | 4429 | 4043 | | | | | | | | | | | |
| | | | | | | BHP | 0.44 | 0.48 | 0.51 | 0.54 | | | | | | | | | | | |
| | | 21B10530 | 1/2 | 1260 | 77 | CFM | 5258 | 4871 | 4428 | 3927 | | | | | | | | | | | |
| | | | | | | BHP | 0.48 | 0.52 | 0.54 | 0.55 | | | | | | | | | | | |
| | | 21B10520 | 3/4 | 1725 | 89 | CFM | 5587 | 5353 | 5101 | 4825 | 4522 | 4198 | 3819 | | | | | | | | |
| | | | | | | BHP | 0.69 | 0.72 | 0.75 | 0.77 | 0.79 | 0.81 | 0.82 | | | | | | | | |
| | | 21B10525 | 3/4 | 1567 | 82 | CFM | 5826 | 5555 | 5263 | 4946 | 4603 | 4219 | | | | | | | | | |
| | | | | | | BHP | 0.66 | 0.70 | 0.74 | 0.78 | 0.81 | 0.83 | | | | | | | | | |
| | | 21B10530 | 3/4 | 1442 | 79 | CFM | 6017 | 5684 | 5319 | 4905 | | | | | | | | | | | |
| | | | | | | BHP | 0.72 | 0.76 | 0.79 | 0.81 | | | | | | | | | | | |
| | | 21B10520 | 1 | 1899 | 91 | CFM | 6151 | 5940 | 5715 | 5475 | 5214 | 4934 | 4641 | 4302 | | | | | | | |
| | | | | | | BHP | 0.91 | 0.95 | 0.98 | 1.01 | 1.04 | 1.06 | 1.09 | 1.10 | | | | | | | |
| | | 21B10525 | 1 | 1724 | 84 | CFM | 6410 | 6165 | 5905 | 5627 | 5329 | 5013 | 4661 | | | | | | | | |
| | | | | BHP | 0.88 | 0.93 | 0.97 | 1.01 | 1.05 | 1.08 | 1.10 | | | | | | | | | | |
| 21B10530 | 1 | 1587 | 81 | CFM | 6623 | 6322 | 5999 | 5643 | 5255 | | | | | | | | | | | | |
| | | | | BHP | 0.97 | 1.01 | 1.04 | 1.07 | 1.09 | | | | | | | | | | | | |
| 21B10520 | 1 1/2 | 2174 | 93 | CFM | 7042 | 6858 | 6667 | 6465 | 6252 | 6026 | 5786 | 5536 | 5275 | | | | | | | | |
| | | | | BHP | 1.37 | 1.41 | 1.45 | 1.49 | 1.52 | 1.55 | 1.58 | 1.61 | 1.63 | | | | | | | | |
| 21B10525 | 1 1/2 | 1974 | 87 | CFM | 7339 | 7127 | 6905 | 6672 | 6426 | 6167 | 5895 | 5612 | 5294 | | | | | | | | |
| | | | | BHP | 1.32 | 1.37 | 1.43 | 1.48 | 1.52 | 1.56 | 1.60 | 1.63 | 1.65 | | | | | | | | |
| 21B10530 | 1 1/2 | 1817 | 85 | CFM | 7582 | 7322 | 7047 | 6756 | 6438 | 6099 | 5749 | | | | | | | | | | |
| | | | | BHP | 1.45 | 1.50 | 1.54 | 1.58 | 1.61 | 1.63 | 1.65 | | | | | | | | | | |
| 21B10520 | 2 | 2393 | 95 | CFM | 7751 | 7585 | 7413 | 7234 | 7047 | 6852 | 6645 | 6429 | 6204 | 5728 | | | | | | | |
| | | | | BHP | 1.83 | 1.88 | 1.92 | 1.96 | 2.00 | 2.04 | 2.07 | 2.10 | 2.13 | 2.19 | | | | | | | |
| 21B10525 | 2 | 2172 | 88 | CFM | 8075 | 7883 | 7683 | 7476 | 7261 | 7035 | 6799 | 6553 | 6299 | | | | | | | | |
| | | | | BHP | 1.75 | 1.82 | 1.88 | 1.93 | 1.99 | 2.04 | 2.08 | 2.12 | 2.16 | | | | | | | | |
| 21B10530 | 2 | 1999 | 87 | CFM | 8342 | 8106 | 7860 | 7602 | 7330 | 7035 | 6726 | 6410 | | | | | | | | | |
| | | | | BHP | 1.93 | 1.99 | 2.04 | 2.08 | 2.12 | 2.15 | 2.17 | 2.19 | | | | | | | | | |

NOTES:

- Performance certified is for installation Type B: Free inlet, ducted outlet.
- Power rating (BHP) does not include transmission losses.
- Performance ratings do not include the effects of appurtenances (accessories).
- The sound power level ratings shown are in decibels, referred to 10⁻¹² watts calculated per AMCA Standard 301.
- Values shown are for inlet LwiA sound power levels for installation Type B: Free inlet, ducted outlet. Ratings do not include the effects of end correction.
- Sound power values shown are at the peak cataloged pressure for each RPM.

Belt Driven

BSTAB | Size 24

| SIZE | MODEL INFO | | MOTOR HP | FAN RPM | LwiA | STATIC PRESSURE (IN. W.G.) | | | | | | | | | | FAN EFF. GRADE | | | | | |
|------|---------------|----------------|----------|---------|-------|-----------------------------------|-------|-------|-------|-------|-------|-------|-------|-------|-------|----------------|-------|--|--|--|--|
| | NO. OF BLADES | CATALOG NUMBER | | | | 0.000 | 0.125 | 0.250 | 0.375 | 0.500 | 0.625 | 0.750 | 0.875 | 1.000 | 1.250 | | 1.500 | | | | |
| 24 | 5 | BLADES | | | | Outlet Area: 3.21 ft ² | | | | | | | | | | FEG71 | | | | | |
| | | | | | | CFM | 5304 | 4804 | 4203 | | | | | | | | | | | | |
| | | | | | | BHP | 0.31 | 0.33 | 0.35 | | | | | | | | | | | | |
| | | | | | | CFM | 5510 | 4930 | 4235 | | | | | | | | | | | | |
| | | | | | | BHP | 0.31 | 0.34 | 0.36 | | | | | | | | | | | | |
| | | | | | | CFM | 5629 | 4923 | | | | | | | | | | | | | |
| | | | | | | BHP | 0.33 | 0.36 | | | | | | | | | | | | | |
| | | | | | | CFM | 6090 | 5662 | 5173 | 4619 | | | | | | | | | | | |
| | | | | | | BHP | 0.46 | 0.50 | 0.52 | 0.54 | | | | | | | | | | | |
| | | | | | | CFM | 6326 | 5831 | 5264 | 4602 | | | | | | | | | | | |
| | | | | | | BHP | 0.46 | 0.50 | 0.53 | 0.55 | | | | | | | | | | | |
| | | | | | | CFM | 6465 | 5866 | 5149 | | | | | | | | | | | | |
| | | | | | | BHP | 0.50 | 0.53 | 0.55 | | | | | | | | | | | | |
| | | | | | | CFM | 6974 | 6606 | 6201 | 5747 | 5256 | 4674 | | | | | | | | | |
| | | | | | | BHP | 0.69 | 0.73 | 0.77 | 0.80 | 0.82 | 0.83 | | | | | | | | | |
| | | | | | | CFM | 7243 | 6817 | 6348 | 5823 | 5227 | | | | | | | | | | |
| | | | | | | BHP | 0.70 | 0.74 | 0.78 | 0.81 | 0.83 | | | | | | | | | | |
| | | | | | | CFM | 7400 | 6886 | 6301 | 5634 | | | | | | | | | | | |
| | | | | | | BHP | 0.75 | 0.79 | 0.82 | 0.82 | | | | | | | | | | | |
| | | | | | | CFM | 7675 | 7343 | 6986 | 6594 | 6165 | 5710 | 5177 | | | | | | | | |
| | | | | | | BHP | 0.93 | 0.97 | 1.01 | 1.04 | 1.07 | 1.10 | 1.10 | | | | | | | | |
| | | | | | | CFM | 7975 | 7591 | 7177 | 6722 | 6228 | 5668 | | | | | | | | | |
| | | | | | | BHP | 0.93 | 0.98 | 1.03 | 1.06 | 1.09 | 1.10 | | | | | | | | | |
| | | | | | | CFM | 8148 | 7685 | 7178 | 6596 | | | | | | | | | | | |
| | | | | | | BHP | 1.01 | 1.05 | 1.08 | 1.10 | | | | | | | | | | | |
| | | | | | | CFM | 8782 | 8494 | 8190 | 7867 | 7518 | 7144 | 6756 | 6328 | 5848 | | | | | | |
| | | | | | | BHP | 1.39 | 1.44 | 1.49 | 1.53 | 1.56 | 1.60 | 1.63 | 1.65 | 1.65 | | | | | | |
| | | | | | | CFM | 9123 | 8790 | 8439 | 8063 | 7658 | 7228 | 6761 | | | | | | | | |
| BHP | 1.39 | 1.45 | 1.51 | 1.56 | 1.60 | 1.63 | 1.65 | | | | | | | | | | | | | | |
| CFM | 9326 | 8926 | 8498 | 8031 | 7514 | 6977 | | | | | | | | | | | | | | | |
| BHP | 1.51 | 1.56 | 1.60 | 1.63 | 1.64 | 1.65 | | | | | | | | | | | | | | | |
| CFM | 9666 | 9405 | 9133 | 8848 | 8546 | 8223 | 7883 | 7532 | 7162 | | | | | | | | | | | | |
| BHP | 1.85 | 1.91 | 1.96 | 2.01 | 2.05 | 2.09 | 2.13 | 2.16 | 2.19 | | | | | | | | | | | | |
| CFM | 10046 | 9745 | 9431 | 9100 | 8749 | 8376 | 7985 | 7570 | 7109 | | | | | | | | | | | | |
| BHP | 1.86 | 1.92 | 1.99 | 2.05 | 2.10 | 2.14 | 2.17 | 2.20 | 2.20 | | | | | | | | | | | | |
| CFM | 10261 | 9900 | 9518 | 9113 | 8666 | 8192 | 7701 | | | | | | | | | | | | | | |
| BHP | 2.01 | 2.06 | 2.11 | 2.15 | 2.18 | 2.19 | 2.20 | | | | | | | | | | | | | | |
| CFM | 11063 | 10837 | 10603 | 10361 | 10109 | 9847 | 9571 | 9281 | 8981 | 8360 | 7645 | | | | | | | | | | |
| BHP | 2.77 | 2.84 | 2.90 | 2.96 | 3.02 | 3.07 | 3.11 | 3.16 | 3.19 | 3.27 | 3.30 | | | | | | | | | | |
| CFM | 11498 | 11237 | 10967 | 10686 | 10395 | 10090 | 9769 | 9435 | 9090 | 8329 | | | | | | | | | | | |
| BHP | 2.78 | 2.86 | 2.94 | 3.01 | 3.07 | 3.13 | 3.18 | 3.22 | 3.26 | 3.30 | | | | | | | | | | | |
| CFM | 11745 | 11431 | 11104 | 10763 | 10405 | 10017 | 9605 | 9184 | | | | | | | | | | | | | |
| BHP | 3.01 | 3.07 | 3.13 | 3.18 | 3.23 | 3.26 | 3.28 | 3.29 | | | | | | | | | | | | | |

NOTES:

- Performance certified is for installation Type B: Free inlet, ducted outlet.
- Power rating (BHP) does not include transmission losses.
- Performance ratings do not include the effects of appurtenances (accessories).
- The sound power level ratings shown are in decibels, referred to 10⁻¹² watts calculated per AMCA Standard 301.
- Values shown are for inlet LwiA sound power levels for installation Type B: Free inlet, ducted outlet. Ratings do not include the effects of end correction.
- Sound power values shown are at the peak cataloged pressure for each RPM.

Belt Driven

BSTAB | Size 30

| SIZE | MODEL INFO | | MOTOR HP | FAN RPM | LwiA | STATIC PRESSURE (IN. W.G.) | | | | | | | | | | | FAN EFF. GRADE | | | |
|----------|---------------|-----------------------------------|----------|---------|-------|----------------------------|-------|-------|-------|-------|-------|-------|-------|-------|-------|-------|----------------|--|--|--|
| | NO. OF BLADES | CATALOG NUMBER | | | | 0.000 | 0.125 | 0.250 | 0.375 | 0.500 | 0.625 | 0.750 | 0.875 | 1.000 | 1.250 | 1.500 | | | | |
| 30 | 5 BLADES | Outlet Area: 5.03 ft ² | | | | | | | | | | | | | | FEG71 | | | | |
| | | 30B10520 | 1/2 | 863 | 78 | CFM | 8774 | 7789 | 6617 | | | | | | | | | | | |
| | | | | | | BHP | 0.47 | 0.52 | 0.55 | | | | | | | | | | | |
| | | 30B10525 | 1/2 | 793 | 78 | CFM | 9047 | 7903 | 6404 | | | | | | | | | | | |
| | | | | | | BHP | 0.51 | 0.55 | 0.54 | | | | | | | | | | | |
| | | 30B10530 | 1/2 | 735 | 76 | CFM | 9060 | 7722 | | | | | | | | | | | | |
| | | | | | | BHP | 0.53 | 0.55 | | | | | | | | | | | | |
| | | 30B10520 | 3/4 | 988 | 82 | CFM | 10045 | 9201 | 8227 | 7132 | | | | | | | | | | |
| | | | | | | BHP | 0.71 | 0.77 | 0.81 | 0.83 | | | | | | | | | | |
| | | 30B10525 | 3/4 | 907 | 79 | CFM | 10347 | 9377 | 8189 | | | | | | | | | | | |
| | | | | | | BHP | 0.77 | 0.81 | 0.83 | | | | | | | | | | | |
| | | 30B10530 | 3/4 | 842 | 80 | CFM | 10378 | 9260 | 7846 | | | | | | | | | | | |
| | | | | | | BHP | 0.80 | 0.83 | 0.82 | | | | | | | | | | | |
| | | 30B10520 | 1 | 1088 | 85 | CFM | 11062 | 10304 | 9456 | 8517 | 7439 | | | | | | | | | |
| | | | | | | BHP | 0.95 | 1.01 | 1.06 | 1.10 | 1.10 | | | | | | | | | |
| | | 30B10525 | 1 | 999 | 83 | CFM | 11397 | 10529 | 9507 | 8294 | | | | | | | | | | |
| | | | | | | BHP | 1.02 | 1.07 | 1.10 | 1.09 | | | | | | | | | | |
| | | 30B10530 | 1 | 926 | 82 | CFM | 11414 | 10414 | 9176 | | | | | | | | | | | |
| | | | | | | BHP | 1.07 | 1.10 | 1.09 | | | | | | | | | | | |
| | | 30B10520 | 1 1/2 | 1245 | 88 | CFM | 12658 | 12003 | 11297 | 10512 | 9686 | 8759 | | | | | | | | |
| | | | | | | BHP | 1.42 | 1.49 | 1.56 | 1.60 | 1.64 | 1.65 | | | | | | | | |
| | | 30B10525 | 1 1/2 | 1143 | 86 | CFM | 13039 | 12293 | 11461 | 10498 | 9408 | | | | | | | | | |
| | | | | | | BHP | 1.53 | 1.59 | 1.64 | 1.65 | 1.64 | | | | | | | | | |
| | | 30B10530 | 1 1/2 | 1060 | 86 | CFM | 13066 | 12208 | 11227 | 10052 | | | | | | | | | | |
| | | | | | | BHP | 1.60 | 1.64 | 1.65 | 1.63 | | | | | | | | | | |
| | | 30B10520 | 2 | 1370 | 90 | CFM | 13929 | 13337 | 12709 | 12030 | 11292 | 10537 | 9687 | | | | | | | |
| | | | | | | BHP | 1.89 | 1.98 | 2.05 | 2.11 | 2.15 | 2.20 | 2.20 | | | | | | | |
| | | 30B10525 | 2 | 1258 | 89 | CFM | 14351 | 13679 | 12948 | 12123 | 11215 | 10194 | | | | | | | | |
| | | | | BHP | 2.04 | 2.11 | 2.16 | 2.19 | 2.20 | 2.18 | | | | | | | | | | |
| 30B10530 | 2 | 1167 | 87 | CFM | 14384 | 13613 | 12764 | 11756 | | | | | | | | | | | | |
| | | | | BHP | 2.14 | 2.18 | 2.20 | 2.19 | | | | | | | | | | | | |
| 30B10520 | 3 | 1568 | 93 | CFM | 15942 | 15429 | 14892 | 14328 | 13725 | 13081 | 12427 | 11734 | 10976 | | | | | | | |
| | | | | BHP | 2.84 | 2.93 | 3.02 | 3.10 | 3.17 | 3.22 | 3.27 | 3.30 | 3.29 | | | | | | | |
| 30B10525 | 3 | 1440 | 91 | CFM | 16428 | 15846 | 15227 | 14562 | 13824 | 13035 | 12164 | | | | | | | | | |
| | | | | BHP | 3.06 | 3.14 | 3.21 | 3.26 | 3.29 | 3.30 | 3.29 | | | | | | | | | |
| 30B10530 | 3 | 1336 | 91 | CFM | 16468 | 15801 | 15086 | 14304 | 13395 | 12478 | | | | | | | | | | |
| | | | | BHP | 3.21 | 3.26 | 3.29 | 3.31 | 3.28 | 3.26 | | | | | | | | | | |
| 30B10520 | 5 | 1859 | 97 | CFM | 18900 | 18470 | 18027 | 17568 | 17092 | 16596 | 16070 | 15524 | 14971 | 13810 | 12464 | | | | | |
| | | | | BHP | 4.73 | 4.84 | 4.95 | 5.05 | 5.15 | 5.23 | 5.30 | 5.36 | 5.42 | 5.50 | 5.44 | | | | | |
| 30B10525 | 5 | 1707 | 95 | CFM | 19473 | 18987 | 18480 | 17948 | 17388 | 16784 | 16139 | 15469 | 14754 | | | | | | | |
| | | | | BHP | 5.10 | 5.20 | 5.29 | 5.36 | 5.43 | 5.47 | 5.49 | 5.50 | 5.49 | | | | | | | |
| 30B10530 | 5 | 1583 | 95 | CFM | 19512 | 18955 | 18370 | 17754 | 17098 | 16353 | 15559 | 14798 | | | | | | | | |
| | | | | BHP | 5.34 | 5.40 | 5.45 | 5.48 | 5.50 | 5.48 | 5.44 | 5.42 | | | | | | | | |

NOTES:

- Performance certified is for installation Type B: Free inlet, ducted outlet.
- Power rating (BHP) does not include transmission losses.
- Performance ratings do not include the effects of appurtenances (accessories).
- The sound power level ratings shown are in decibels, referred to 10⁻¹² watts calculated per AMCA Standard 301.
- Values shown are for inlet LwiA sound power levels for installation Type B: Free inlet, ducted outlet. Ratings do not include the effects of end correction.
- Sound power values shown are at the peak cataloged pressure for each RPM.

Belt Driven

BSTAB | Size 36

| SIZE | MODEL INFO | | MOTOR HP | FAN RPM | LwiA | STATIC PRESSURE (IN. W.G.) | | | | | | | | | | FAN EFF. GRADE | | | |
|------|---------------|----------------|----------|---------|-------|-----------------------------------|-------|-------|-------|-------|-------|-------|-------|-------|-------|----------------|-------|--|--|
| | NO. OF BLADES | CATALOG NUMBER | | | | 0.000 | 0.125 | 0.250 | 0.375 | 0.500 | 0.625 | 0.750 | 0.875 | 1.000 | 1.250 | | 1.500 | | |
| 36 | 6 | BLADES | | | | Outlet Area: 7.27 ft ² | | | | | | | | | | FEG71 | | | |
| | | | | | | CFM | 11453 | 10363 | 9079 | 7554 | | | | | | | | | |
| | | | | | | BHP | 0.72 | 0.79 | 0.82 | 0.81 | | | | | | | | | |
| | | | | | | CFM | 12385 | 11122 | 9600 | 7671 | | | | | | | | | |
| | | | | | | BHP | 0.72 | 0.79 | 0.82 | 0.81 | | | | | | | | | |
| | | | | | | CFM | 12827 | 11263 | 9400 | | | | | | | | | | |
| | | | | | | BHP | 0.79 | 0.82 | 0.82 | | | | | | | | | | |
| | | | | | | CFM | 12610 | 11634 | 10515 | 9265 | 7732 | | | | | | | | |
| | | | | | | BHP | 0.96 | 1.04 | 1.09 | 1.10 | 1.07 | | | | | | | | |
| | | | | | | CFM | 13630 | 12500 | 11175 | 9634 | | | | | | | | | |
| | | | | | | BHP | 0.96 | 1.04 | 1.09 | 1.10 | | | | | | | | | |
| | | | | | | CFM | 14117 | 12718 | 11094 | | | | | | | | | | |
| | | | | | | BHP | 1.06 | 1.09 | 1.10 | | | | | | | | | | |
| | | | | | | CFM | 14427 | 13585 | 12659 | 11624 | 10510 | 9179 | | | | | | | |
| | | | | | | BHP | 1.44 | 1.54 | 1.61 | 1.64 | 1.65 | 1.62 | | | | | | | |
| | | | | | | CFM | 15602 | 14631 | 13546 | 12315 | 10921 | 9250 | | | | | | | |
| | | | | | | BHP | 1.44 | 1.54 | 1.60 | 1.64 | 1.64 | 1.60 | | | | | | | |
| | | | | | | CFM | 16170 | 14967 | 13617 | 12145 | | | | | | | | | |
| | | | | | | BHP | 1.59 | 1.63 | 1.65 | 1.65 | | | | | | | | | |
| | | | | | | CFM | 15880 | 15122 | 14304 | 13405 | 12438 | 11396 | 10179 | 8344 | | | | | |
| | | | | | | BHP | 1.92 | 2.03 | 2.11 | 2.17 | 2.19 | 2.20 | 2.16 | 2.01 | | | | | |
| | | | | | | CFM | 17170 | 16296 | 15343 | 14274 | 13127 | 11795 | 10278 | | | | | | |
| | | | | | | BHP | 1.93 | 2.03 | 2.11 | 2.16 | 2.20 | 2.19 | 2.13 | | | | | | |
| | | | | | | CFM | 17786 | 16703 | 15521 | 14208 | 12805 | | | | | | | | |
| | | | | | | BHP | 2.11 | 2.17 | 2.20 | 2.20 | 2.19 | | | | | | | | |
| | | | | | | CFM | 18182 | 17525 | 16830 | 16091 | 15292 | 14449 | 13578 | 12593 | 11502 | | | | |
| | | | | | | BHP | 2.88 | 3.01 | 3.12 | 3.20 | 3.25 | 3.28 | 3.30 | 3.28 | 3.23 | | | | |
| | | | | | | CFM | 19660 | 18903 | 18098 | 17231 | 16279 | 15281 | 14190 | 12926 | 11551 | | | | |
| BHP | 2.89 | 3.01 | 3.11 | 3.20 | 3.25 | 3.29 | 3.30 | 3.26 | 3.19 | | | | | | | | | | |
| CFM | 20366 | 19429 | 18432 | 17350 | 16192 | 14981 | 13570 | | | | | | | | | | | | |
| BHP | 3.17 | 3.23 | 3.28 | 3.31 | 3.31 | 3.29 | 3.26 | | | | | | | | | | | | |
| CFM | 21560 | 21010 | 20439 | 19843 | 19221 | 18562 | 17869 | 17155 | 16430 | 14793 | 12930 | | | | | | | | |
| BHP | 4.81 | 4.96 | 5.10 | 5.22 | 5.32 | 5.39 | 5.44 | 5.48 | 5.50 | 5.47 | 5.33 | | | | | | | | |
| CFM | 23314 | 22681 | 22021 | 21329 | 20600 | 19817 | 18991 | 18147 | 17257 | 15152 | | | | | | | | | |
| BHP | 4.82 | 4.97 | 5.10 | 5.21 | 5.31 | 5.39 | 5.44 | 5.49 | 5.51 | 5.43 | | | | | | | | | |
| CFM | 24145 | 23361 | 22543 | 21688 | 20776 | 19806 | 18833 | 17791 | 16663 | | | | | | | | | | |
| BHP | 5.28 | 5.36 | 5.43 | 5.48 | 5.51 | 5.51 | 5.51 | 5.49 | 5.46 | | | | | | | | | | |
| CFM | 24669 | 24190 | 23698 | 23190 | 22666 | 22124 | 21558 | 20967 | 20356 | 19102 | 17750 | | | | | | | | |
| BHP | 7.20 | 7.38 | 7.54 | 7.69 | 7.83 | 7.95 | 8.04 | 8.11 | 8.16 | 8.23 | 8.24 | | | | | | | | |
| CFM | 26677 | 26127 | 25559 | 24971 | 24361 | 23726 | 23056 | 22352 | 21624 | 20129 | 18391 | | | | | | | | |
| BHP | 7.22 | 7.39 | 7.55 | 7.69 | 7.82 | 7.94 | 8.03 | 8.10 | 8.16 | 8.25 | 8.21 | | | | | | | | |
| CFM | 27634 | 26951 | 26248 | 25520 | 24767 | 23974 | 23137 | 22280 | 21434 | 19558 | | | | | | | | | |
| BHP | 7.91 | 8.01 | 8.09 | 8.16 | 8.22 | 8.25 | 8.26 | 8.26 | 8.26 | 8.26 | 8.20 | | | | | | | | |

NOTES:

- Performance certified is for installation Type B: Free inlet, ducted outlet.
- Power rating (BHP) does not include transmission losses).
- Performance ratings do not include the effects of appurtenances (accessories).
- The sound power level ratings shown are in decibels, referred to 10⁻¹² watts calculated per AMCA Standard 301.
- Values shown are for inlet LwiA sound power levels for installation Type B: Free inlet, ducted outlet. Ratings do not include the effects of end correction.
- Sound power values shown are at the peak cataloged pressure for each RPM.

Belt Driven

BSTAB | Size 42

| SIZE | MODEL INFO | | MOTOR HP | FAN RPM | LwiA | STATIC PRESSURE (IN. W.G.) | | | | | | | | | | FAN EFF. GRADE | | | | | | |
|----------|---------------|----------------|-----------------------------------|---------|-------|----------------------------|-------|-------|-------|-------|-------|-------|-------|-------|-------|----------------|-------|--|--|--|--|--|
| | NO. OF BLADES | CATALOG NUMBER | | | | 0.000 | 0.125 | 0.250 | 0.375 | 0.500 | 0.625 | 0.750 | 0.875 | 1.000 | 1.250 | | 1.500 | | | | | |
| 42 | 4 | BLADES | Outlet Area: 9.85 ft ² | | | | | | | | | | | | | FEG71 | | | | | | |
| | | | 42B30420 | 1 | 768 | 83 | CFM | 16400 | 14705 | 12792 | | | | | | | | | | | | |
| | | | | | | | BHP | 1.02 | 1.07 | 1.10 | | | | | | | | | | | | |
| | | | 42B30425 | 1 | 690 | 78 | CFM | 17240 | 15301 | 13121 | | | | | | | | | | | | |
| | | | | | | | BHP | 1.03 | 1.08 | 1.10 | | | | | | | | | | | | |
| | | | 42B30430 | 1 | 636 | 77 | CFM | 17571 | 15148 | | | | | | | | | | | | | |
| | | | | | | | BHP | 1.08 | 1.10 | | | | | | | | | | | | | |
| | | | 42B30420 | 1 1/2 | 880 | 86 | CFM | 18792 | 17337 | 15724 | 13963 | | | | | | | | | | | |
| | | | | | | | BHP | 1.54 | 1.60 | 1.64 | 1.65 | | | | | | | | | | | |
| | | | 42B30425 | 1 1/2 | 789 | 82 | CFM | 19714 | 18045 | 16203 | 14092 | | | | | | | | | | | |
| | | | | | | | BHP | 1.54 | 1.60 | 1.64 | 1.64 | | | | | | | | | | | |
| | | | 42B30430 | 1 1/2 | 728 | 81 | CFM | 20112 | 18088 | 15511 | | | | | | | | | | | | |
| | | | | | | | BHP | 1.62 | 1.65 | 1.62 | | | | | | | | | | | | |
| | | | 42B30420 | 2 | 968 | 89 | CFM | 20671 | 19360 | 17931 | 16398 | 14635 | | | | | | | | | | |
| | | | | | | | BHP | 2.05 | 2.12 | 2.17 | 2.20 | 2.19 | | | | | | | | | | |
| | | | 42B30425 | 2 | 869 | 85 | CFM | 21713 | 20211 | 18578 | 16849 | 14663 | | | | | | | | | | |
| | | | | | | | BHP | 2.06 | 2.13 | 2.18 | 2.20 | 2.18 | | | | | | | | | | |
| | | | 42B30430 | 2 | 802 | 83 | CFM | 22157 | 20361 | 18146 | | | | | | | | | | | | |
| | | | | | | | BHP | 2.17 | 2.21 | 2.19 | | | | | | | | | | | | |
| | | | 42B30420 | 3 | 1108 | 92 | CFM | 23660 | 22527 | 21317 | 20025 | 18675 | 17169 | | | | | | | | | |
| | | | | | | | BHP | 3.07 | 3.15 | 3.22 | 3.27 | 3.30 | 3.29 | | | | | | | | | |
| | | | 42B30425 | 3 | 995 | 88 | CFM | 24861 | 23563 | 22178 | 20707 | 19185 | 17314 | | | | | | | | | |
| | | | | | | | BHP | 3.09 | 3.17 | 3.24 | 3.28 | 3.31 | 3.28 | | | | | | | | | |
| | | | 42B30430 | 3 | 918 | 87 | CFM | 25362 | 23827 | 22030 | 19978 | | | | | | | | | | | |
| | | | | | | | BHP | 3.26 | 3.30 | 3.30 | 3.27 | | | | | | | | | | | |
| | | | 42B30420 | 5 | 1314 | 96 | CFM | 28059 | 27112 | 26122 | 25082 | 23992 | 22864 | 21718 | 20407 | | 18878 | | | | | |
| | | | | | | | BHP | 5.12 | 5.22 | 5.31 | 5.38 | 5.44 | 5.48 | 5.51 | 5.50 | | 5.44 | | | | | |
| | | | 42B30425 | 5 | 1179 | 92 | CFM | 29458 | 28372 | 27237 | 26046 | 24805 | 23530 | 22177 | 20550 | | | | | | | |
| | | | | BHP | 5.14 | 5.24 | 5.33 | 5.40 | 5.45 | 5.49 | 5.50 | 5.46 | | | | | | | | | | |
| 42B30430 | 5 | 1088 | 91 | CFM | 30058 | 28789 | 27387 | 25790 | 24063 | | | | | | | | | | | | | |
| | | | | BHP | 5.42 | 5.48 | 5.51 | 5.50 | 5.46 | | | | | | | | | | | | | |
| 42B30420 | 7 1/2 | 1504 | 100 | CFM | 32116 | 31293 | 30442 | 29560 | 28644 | 27694 | 26717 | 25719 | 24716 | 22282 | | | | | | | | |
| | | | | BHP | 7.68 | 7.80 | 7.90 | 7.99 | 8.07 | 8.14 | 8.19 | 8.23 | 8.26 | 8.20 | | | | | | | | |
| 42B30425 | 7 1/2 | 1350 | 97 | CFM | 33731 | 32787 | 31812 | 30801 | 29753 | 28671 | 27563 | 26448 | 25209 | 22168 | | | | | | | | |
| | | | | BHP | 7.72 | 7.84 | 7.94 | 8.04 | 8.11 | 8.17 | 8.21 | 8.25 | 8.26 | 8.12 | | | | | | | | |
| 42B30430 | 7 1/2 | 1245 | 94 | CFM | 34396 | 33299 | 32119 | 30831 | 29405 | 27896 | | | | | | | | | | | | |
| | | | | BHP | 8.13 | 8.19 | 8.24 | 8.25 | 8.23 | 8.19 | | | | | | | | | | | | |
| 42B30420 | 10 | 1655 | 102 | CFM | 35341 | 34595 | 33828 | 33039 | 32226 | 31386 | 30522 | 29637 | 28735 | 26898 | 24653 | | | | | | | |
| | | | | BHP | 10.24 | 10.36 | 10.48 | 10.59 | 10.68 | 10.77 | 10.84 | 10.90 | 10.95 | 11.01 | 10.93 | | | | | | | |
| 42B30425 | 10 | 1485 | 99 | CFM | 37104 | 36249 | 35370 | 34465 | 33533 | 32573 | 31588 | 30583 | 29569 | 27327 | 24553 | | | | | | | |
| | | | | BHP | 10.27 | 10.41 | 10.53 | 10.63 | 10.73 | 10.80 | 10.87 | 10.92 | 10.97 | 10.98 | 10.82 | | | | | | | |
| 42B30430 | 10 | 1371 | 97 | CFM | 37877 | 36886 | 35837 | 34716 | 33498 | 32179 | 30806 | 29363 | | | | | | | | | | |
| | | | | BHP | 10.85 | 10.93 | 10.98 | 11.02 | 11.02 | 10.99 | 10.94 | 10.86 | | | | | | | | | | |

NOTES:

1. Performance certified is for installation Type B: Free inlet, ducted outlet.
2. Power rating (BHP) does not include transmission losses.
3. Performance ratings do not include the effects of appurtenances (accessories).
4. The sound power level ratings shown are in decibels, referred to 10⁻¹² watts calculated per AMCA Standard 301.
5. Values shown are for inlet LwiA sound power levels for installation Type B: Free inlet, ducted outlet. Ratings do not include the effects of end correction.
6. Sound power values shown are at the peak cataloged pressure for each RPM.

Belt Driven

BSTAB | Size 48

| SIZE | MODEL INFO | | MOTOR HP | FAN RPM | LwiA | STATIC PRESSURE (IN. W.G.) | | | | | | | | | | FAN EFF. GRADE | | | | |
|------|---------------|----------------|----------|---------|-------|------------------------------------|-------|-------|-------|-------|-------|-------|-------|-------|-------|----------------|-------|--|--|--|
| | NO. OF BLADES | CATALOG NUMBER | | | | 0.000 | 0.125 | 0.250 | 0.375 | 0.500 | 0.625 | 0.750 | 0.875 | 1.000 | 1.250 | | 1.500 | | | |
| 48 | 4 | BLADES | | | | Outlet Area: 12.90 ft ² | | | | | | | | | | FEG67 | | | | |
| | | | | | | CFM | 22327 | 20116 | 17627 | | | | | | | | | | | |
| | | | | | | BHP | 1.59 | 1.63 | 1.65 | | | | | | | | | | | |
| | | | | | | CFM | 23652 | 21113 | 18306 | | | | | | | | | | | |
| | | | | | | BHP | 1.59 | 1.63 | 1.65 | | | | | | | | | | | |
| | | | | | | CFM | 23807 | 20591 | | | | | | | | | | | | |
| | | | | | | BHP | 1.65 | 1.64 | | | | | | | | | | | | |
| | | | | | | CFM | 24587 | 22603 | 20387 | 17968 | | | | | | | | | | |
| | | | | | | BHP | 2.12 | 2.17 | 2.20 | 2.20 | | | | | | | | | | |
| | | | | | | CFM | 26027 | 23746 | 21236 | 18319 | | | | | | | | | | |
| | | | | | | BHP | 2.12 | 2.17 | 2.20 | 2.18 | | | | | | | | | | |
| | | | | | | CFM | 26191 | 23367 | | | | | | | | | | | | |
| | | | | | | BHP | 2.20 | 2.20 | | | | | | | | | | | | |
| | | | | | | CFM | 28125 | 26412 | 24546 | 22550 | 20368 | | | | | | | | | |
| | | | | | | BHP | 3.17 | 3.24 | 3.28 | 3.30 | 3.28 | | | | | | | | | |
| | | | | | | CFM | 29800 | 27831 | 25703 | 23469 | | | | | | | | | | |
| | | | | | | BHP | 3.19 | 3.25 | 3.28 | 3.30 | | | | | | | | | | |
| | | | | | | CFM | 29960 | 27573 | | | | | | | | | | | | |
| | | | | | | BHP | 3.29 | 3.30 | | | | | | | | | | | | |
| | | | | | | CFM | 33357 | 31930 | 30418 | 28804 | 27119 | 25410 | 23338 | | | | | | | |
| BHP | 5.29 | 5.37 | 5.44 | 5.48 | 5.50 | 5.51 | 5.45 | | | | | | | | | | | | | |
| CFM | 35320 | 33676 | 31942 | 30109 | 28220 | 26152 | | | | | | | | | | | | | | |
| BHP | 5.31 | 5.38 | 5.43 | 5.47 | 5.50 | 5.49 | | | | | | | | | | | | | | |
| CFM | 35537 | 33579 | 31315 | | | | | | | | | | | | | | | | | |
| BHP | 5.50 | 5.51 | 5.48 | | | | | | | | | | | | | | | | | |
| CFM | 38173 | 36935 | 35642 | 34285 | 32860 | 31388 | 29911 | 28314 | | | | | | | | | | | | |
| BHP | 7.93 | 8.02 | 8.11 | 8.17 | 8.22 | 8.24 | 8.26 | 8.23 | | | | | | | | | | | | |
| CFM | 40421 | 38993 | 37508 | 35956 | 34340 | 32687 | 31002 | 28975 | | | | | | | | | | | | |
| BHP | 7.96 | 8.04 | 8.11 | 8.16 | 8.20 | 8.23 | 8.25 | 8.20 | | | | | | | | | | | | |
| CFM | 40652 | 38966 | 37103 | 34971 | | | | | | | | | | | | | | | | |
| BHP | 8.23 | 8.25 | 8.24 | 8.17 | | | | | | | | | | | | | | | | |

NOTES:

1. Performance certified is for installation Type B: Free inlet, ducted outlet.
2. Power rating (BHP) does not include transmission losses.
3. Performance ratings do not include the effects of appurtenances (accessories).
4. The sound power level ratings shown are in decibels, referred to 10⁻¹² watts calculated per AMCA Standard 301.
5. Values shown are for inlet LwiA sound power levels for installation Type B: Free inlet, ducted outlet. Ratings do not include the effects of end correction.
6. Sound power values shown are at the peak cataloged pressure for each RPM.

Belt Driven

BSTAB | Size 54

| SIZE | MODEL INFO | | MOTOR HP | FAN RPM | LwiA | STATIC PRESSURE (IN. W.G.) | | | | | | | | | | FAN EFF. GRADE | | | | | | |
|----------|---------------|----------------|------------------------------------|---------|-------|----------------------------|-------|-------|-------|-------|-------|-------|-------|-------|-------|----------------|-------|--|--|--|--|--|
| | NO. OF BLADES | CATALOG NUMBER | | | | 0.000 | 0.125 | 0.250 | 0.375 | 0.500 | 0.625 | 0.750 | 0.875 | 1.000 | 1.250 | | 1.500 | | | | | |
| 54 | 6 | BLADES | Outlet Area: 16.28 ft ² | | | | | | | | | | | | | FEG75 | | | | | | |
| | | | 54B40620 | 1 1/2 | 571 | 88 | CFM | 26230 | 23584 | 20469 | | | | | | | | | | | | |
| | | | | | | | BHP | 1.46 | 1.57 | 1.64 | | | | | | | | | | | | |
| | | | 54B40625 | 1 1/2 | 518 | 83 | CFM | 27880 | 24679 | 20929 | | | | | | | | | | | | |
| | | | | | | | BHP | 1.53 | 1.62 | 1.66 | | | | | | | | | | | | |
| | | | 54B40630 | 1 1/2 | 473 | 82 | CFM | 28364 | 24550 | | | | | | | | | | | | | |
| | | | | | | | BHP | 1.61 | 1.66 | | | | | | | | | | | | | |
| | | | 54B40620 | 2 | 628 | 90 | CFM | 28848 | 26479 | 23747 | | | | | | | | | | | | |
| | | | | | | | BHP | 1.94 | 2.07 | 2.16 | | | | | | | | | | | | |
| | | | 54B40625 | 2 | 570 | 84 | CFM | 30679 | 27821 | 24497 | | | | | | | | | | | | |
| | | | | | | | BHP | 2.04 | 2.15 | 2.19 | | | | | | | | | | | | |
| | | | 54B40630 | 2 | 520 | 84 | CFM | 31183 | 27794 | | | | | | | | | | | | | |
| | | | | | | | BHP | 2.14 | 2.20 | | | | | | | | | | | | | |
| | | | 54B40620 | 3 | 719 | 93 | CFM | 33029 | 30993 | 28725 | 26218 | | | | | | | | | | | |
| | | | | | | | BHP | 2.91 | 3.06 | 3.18 | 3.26 | | | | | | | | | | | |
| | | | 54B40625 | 3 | 652 | 88 | CFM | 35093 | 32640 | 29868 | 26864 | | | | | | | | | | | |
| | | | | | | | BHP | 3.05 | 3.18 | 3.26 | 3.30 | | | | | | | | | | | |
| | | | 54B40630 | 3 | 595 | 88 | CFM | 35680 | 32790 | 29407 | | | | | | | | | | | | |
| | | | | | | | BHP | 3.21 | 3.28 | 3.30 | | | | | | | | | | | | |
| | | | 54B40620 | 5 | 852 | 98 | CFM | 39138 | 37445 | 35624 | 33647 | 31531 | 29320 | | | | | | | | | |
| | | | | | | | BHP | 4.83 | 5.02 | 5.19 | 5.31 | 5.41 | 5.50 | | | | | | | | | |
| | | | 54B40625 | 5 | 773 | 92 | CFM | 41605 | 39570 | 37359 | 34941 | 32402 | | | | | | | | | | |
| | | | | | | | BHP | 5.08 | 5.25 | 5.37 | 5.44 | 5.49 | | | | | | | | | | |
| | | | 54B40630 | 5 | 706 | 92 | CFM | 42337 | 39950 | 37297 | 34335 | | | | | | | | | | | |
| | | | | | | | BHP | 5.36 | 5.45 | 5.50 | 5.51 | | | | | | | | | | | |
| | | | 54B40620 | 7 1/2 | 975 | 101 | CFM | 44789 | 43321 | 41772 | 40128 | 38377 | 36533 | 34628 | 32595 | | | | | | | |
| | | | | | | | BHP | 7.24 | 7.46 | 7.66 | 7.83 | 7.97 | 8.09 | 8.19 | 8.26 | | | | | | | |
| | | | 54B40625 | 7 1/2 | 885 | 96 | CFM | 47633 | 45872 | 44001 | 41996 | 39855 | 37636 | 35374 | | | | | | | | |
| | | | | | | | BHP | 7.62 | 7.82 | 7.98 | 8.10 | 8.17 | 8.22 | 8.27 | | | | | | | | |
| | | | 54B40630 | 7 1/2 | 808 | 96 | CFM | 48453 | 46391 | 44169 | 41728 | 39108 | | | | | | | | | | |
| BHP | 8.03 | 8.14 | | | | | 8.22 | 8.26 | 8.26 | | | | | | | | | | | | | |
| 54B40620 | 10 | 1073 | 104 | CFM | 49290 | 47962 | 46576 | 45122 | 43590 | 41979 | 40300 | 38573 | 36797 | | | | | | | | | |
| | | | | BHP | 9.66 | 9.90 | 10.12 | 10.33 | 10.50 | 10.65 | 10.77 | 10.88 | 10.98 | | | | | | | | | |
| 54B40625 | 10 | 974 | 99 | CFM | 52424 | 50831 | 49159 | 47394 | 45520 | 43554 | 41535 | 39502 | | | | | | | | | | |
| | | | | BHP | 10.16 | 10.38 | 10.57 | 10.72 | 10.83 | 10.90 | 10.96 | 11.01 | | | | | | | | | | |
| 54B40630 | 10 | 889 | 98 | CFM | 53311 | 51448 | 49470 | 47347 | 45047 | 42649 | | | | | | | | | | | | |
| | | | | BHP | 10.69 | 10.82 | 10.92 | 10.98 | 11.00 | 11.01 | | | | | | | | | | | | |
| 54B40620 | 15 | 1229 | 107 | CFM | 56457 | 55303 | 54112 | 52878 | 51598 | 50266 | 48880 | 47444 | 45967 | 42932 | | | | | | | | |
| | | | | BHP | 14.51 | 14.79 | 15.06 | 15.30 | 15.53 | 15.73 | 15.91 | 16.07 | 16.21 | 16.45 | | | | | | | | |
| 54B40625 | 15 | 1115 | 103 | CFM | 60013 | 58629 | 57195 | 55703 | 54146 | 52515 | 50818 | 49074 | 47305 | 43623 | | | | | | | | |
| | | | | BHP | 15.24 | 15.50 | 15.73 | 15.93 | 16.10 | 16.22 | 16.31 | 16.38 | 16.45 | 16.53 | | | | | | | | |
| 54B40630 | 15 | 1018 | 102 | CFM | 61046 | 59431 | 57742 | 55968 | 54088 | 52088 | 50007 | | | | | | | | | | | |
| | | | | BHP | 16.06 | 16.21 | 16.33 | 16.43 | 16.49 | 16.52 | 16.53 | | | | | | | | | | | |

NOTES:

- Performance certified is for installation Type B: Free inlet, ducted outlet.
- Power rating (BHP) does not include transmission losses.
- Performance ratings do not include the effects of appurtenances (accessories).
- The sound power level ratings shown are in decibels, referred to 10⁻¹² watts calculated per AMCA Standard 301.
- Values shown are for inlet LwiA sound power levels for installation Type B: Free inlet, ducted outlet. Ratings do not include the effects of end correction.
- Sound power values shown are at the peak cataloged pressure for each RPM.

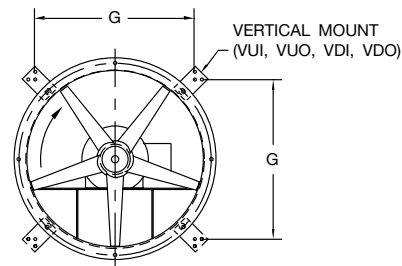
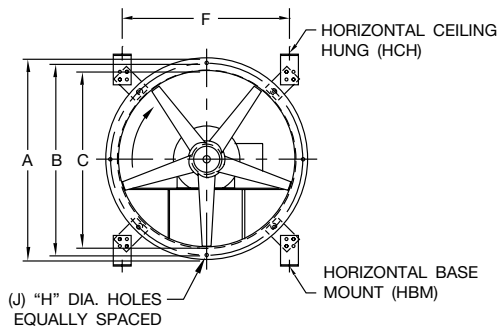
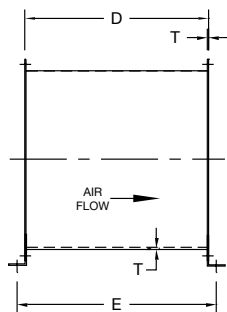


©2013 Aerovent

"Catalog illustrations cover the general appearance of Aerovent products at the time of publication and we reserve the right to make changes in design and construction at any time without notice."

BSTA/BSTAB

Direct Drive - BSTA

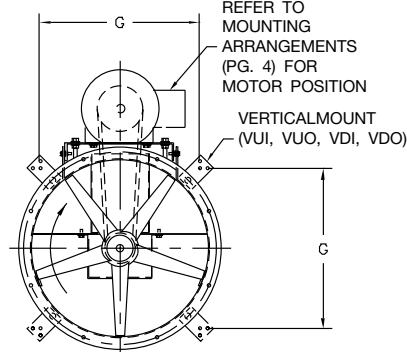
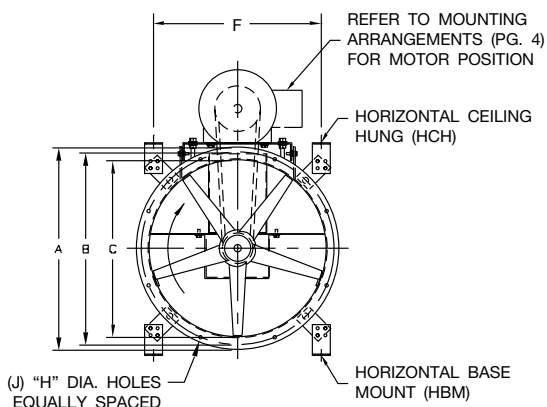
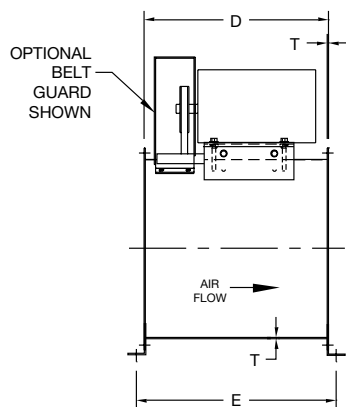


(J) "H" DIA. HOLES EQUALLY SPACED

| FAN SIZE | A | B | C | D | E | F | G | H | J | T | MAX. HP | MAX FRAME |
|----------|-------|-------|-------|-------|-------|-------|-------|------|----|--------|---------|-----------|
| 14 | 16.88 | 15.88 | 14.25 | 19.00 | 21.88 | 16.00 | 14.81 | 0.56 | 8 | 14 GA. | 3/4 | 56 |
| 16 | 19.63 | 17.88 | 16.13 | 19.00 | 21.88 | 17.88 | 16.68 | 0.56 | 8 | 14 GA. | 1 | 143T |
| 18 | 21.75 | 19.88 | 18.25 | 19.00 | 21.88 | 19.50 | 18.25 | 0.56 | 8 | 14 GA. | 1 1/2 | 145T |
| 21 | 24.75 | 22.88 | 21.25 | 20.69 | 23.56 | 21.50 | 20.25 | 0.56 | 8 | 14 GA. | 2 | 145T |
| 24 | 27.75 | 25.88 | 24.25 | 20.69 | 23.56 | 23.63 | 22.44 | 0.56 | 8 | 14 GA. | 3 | 184T |
| 30 | 33.88 | 32.00 | 30.38 | 26.00 | 28.88 | 28.00 | 26.75 | 0.56 | 8 | 12 GA. | 5 | 184T |
| 36 | 40.50 | 38.38 | 36.50 | 27.00 | 29.88 | 32.38 | 31.13 | 0.56 | 16 | 12 GA. | 1 1/2 | 215T |
| 42 | 46.75 | 44.63 | 42.75 | 31.00 | 33.88 | 34.63 | 33.44 | 0.69 | 16 | 12 GA. | 10 | 215T |
| 48 | 52.63 | 50.63 | 48.63 | 35.00 | 37.88 | 41.00 | 39.75 | 0.69 | 16 | 12 GA. | 10 | 254T |

Dimensions shown are in inches unless otherwise indicated.
Dimensions are not to be used for construction.

Belt Driven - BSTAB



(J) "H" DIA. HOLES EQUALLY SPACED

| FAN SIZE | A | B | C | D | E | F | G | H | J | T | SHAFT SIZE | MAX. HP | MAX FRAME |
|----------|-------|-------|-------|-------|-------|-------|-------|------|----|--------|------------|---------|-----------|
| 14 | 16.88 | 15.88 | 14.25 | 19.00 | 21.88 | 16.00 | 14.81 | 0.56 | 8 | 14 GA. | 3/4 | 3/4 | 56 |
| 16 | 19.63 | 17.88 | 16.13 | 19.00 | 21.88 | 17.88 | 16.68 | 0.56 | 8 | 14 GA. | 3/4 | 1 | 143T |
| 18 | 21.75 | 19.88 | 18.25 | 19.00 | 21.88 | 19.50 | 18.25 | 0.56 | 8 | 14 GA. | 3/4 | 1 1/2 | 145T |
| 21 | 24.75 | 22.88 | 21.25 | 20.69 | 23.56 | 21.50 | 20.25 | 0.56 | 8 | 14 GA. | 3/4 | 2 | 145T |
| 24 | 27.75 | 25.88 | 24.25 | 20.69 | 23.56 | 23.63 | 22.44 | 0.56 | 8 | 14 GA. | 1 | 3 | 184T |
| 30 | 33.88 | 32.00 | 30.38 | 26.00 | 28.88 | 28.00 | 26.75 | 0.56 | 8 | 12 GA. | 1 | 5 | 213T |
| 36 | 40.50 | 38.38 | 36.50 | 27.00 | 29.88 | 32.38 | 31.13 | 0.56 | 16 | 12 GA. | 1 3/16 | 7 1/2 | 215T |
| 42 | 46.75 | 44.63 | 42.75 | 31.00 | 33.88 | 34.63 | 33.44 | 0.69 | 16 | 12 GA. | 1 7/16 | 10 | 215T |
| 48 | 52.63 | 50.63 | 48.63 | 35.00 | 37.88 | 41.00 | 39.75 | 0.69 | 16 | 12 GA. | 1 7/16 | 10 | 254T |
| 54 | 58.63 | 57.25 | 54.63 | 40.00 | 42.88 | 45.13 | 44.00 | 0.69 | 16 | 12 GA. | 1 7/16 | 15 | 256T |

Dimensions shown are in inches unless otherwise indicated.
Dimensions are not to be used for construction.

Model BSTA / BSTAB

Tubeaxial fans shall be Model BSTA direct drive or BSTAB belt driven as manufactured by Aerovent, Minneapolis, Minnesota.

PERFORMANCE — Fans shall be tested in accordance with AMCA test codes for air moving devices and shall be guaranteed by the manufacturer to deliver rated published performance levels.

CONSTRUCTION — Housings shall be constructed of heavy gauge, continuously welded steel to prevent air leakage. Housings shall include punched inlet and outlet flanges for duct mounting. Motor and bearing supports shall be constructed of heavy-gauge steel and shall be suitably braced to prevent vibration or pulsation.

PROPELLERS — Propellers shall be constructed of cast aluminum blades and hubs. Propellers on direct drive units shall be secured to the motor shaft with a taperlock bushing. Propellers on belt driven units shall be secured to the fan shaft with a taperlock bushing.

SHAFTS (BSTAB Only) — Shafts shall be AISI 1045 cold rolled steel, accurately turned, ground, polished, and ring gauged for accuracy. Shafts shall be sized for the first critical speed of at least 1.43 times the maximum speed.

BEARINGS (BSTAB Only) — Bearings are to be pillow block, heavy-duty, anti-friction, self-aligning, grease lubricated, ball type. Each fan's bearings are sized with a minimum average life, per AFBMA, in excess of 200,000 hours when operating at the maximum RPM of the fan size.

DRIVES (BSTAB Only) — Motor sheaves shall be cast iron, and supplied as either variable pitch or fixed pitch. Drives and belts shall be rated for a minimum of 150% of the required motor HP.

MOTORS — All motors shall be single phase or three phase induction, permanently lubricated, heavy-duty, ball bearing type, closely matched to the fan load and provided at the voltage, phase, hertz, and enclosure as provided on the fan schedule.

FINISH AND COATING — The entire fan assembly, excluding the shaft, shall be thoroughly degreased and deburred before application of a rust-preventative primer. After the fan is completely assembled, a finish coat of paint shall be applied to the entire assembly. The fan shaft shall be coated with a petroleum-based rust protectant. Aluminum components shall be unpainted.

ACCESSORIES — When specified, accessories such as belt guards, motor covers, shaft seals, inlet bells, inlet and outlet guards, mounting brackets, vibration isolators and disconnect switches shall be provided by Aerovent to maintain one source responsibility.

FACTORY RUN TEST — All fans prior to shipment shall be completely assembled and test run as a unit at operating speed or maximum RPM allowed for the particular construction type. Each propeller shall be statically and dynamically balanced in accordance with ANSI/AMCA 204-96 "Balance Quality and Vibration Levels for Fans" to Fan Application Category BV-3, Balance Quality Grade G6.3. Balance readings shall be taken by electronic type equipment in the axial, vertical, and horizontal directions on each of the bearings. Records shall be maintained and a written copy shall be available upon request.

GUARANTEE — The manufacturer shall guarantee the workmanship and materials for its BSTA and BSTAB tubeaxial fans for at least one (1) year from startup or eighteen (18) months from shipment, whichever occurs first.

**PROPELLER FANS | TUBEAXIAL & VANEAXIAL FANS | CENTRIFUGAL FANS & BLOWERS | ROOF VENTILATORS
INDUSTRIAL AIR HANDLERS | AIR MAKE-UP | FIBERGLASS FANS | CUSTOM FANS**



AEROVENT
A Twin City Fan Company

AEROVENT 
INDUSTRIAL VENTILATION SYSTEMS

WWW.AEROVENT.COM

5959 Trenton Lane N | Minneapolis, MN 55442 | Phone: 763-551-7500 | Fax: 763-551-7501