

Tube Axial Roof Upblast

Models TAUD & TAUB-CA with Cast Aluminum Propeller

Direct & Belt Drive • Clean Air or Fume Exhaust • Spark Resistant Constructions



BUILDING VALUE IN AIR.

 **GREENHECK**
Building Value in Air.

September
2002

Tube Axial Roof Upblast Fans

Greenheck's tube axial upblast roof exhausters, both direct and belt drive, are designed to efficiently remove and disperse contaminated air. The upblast configuration is ideal for exhausting contaminants away from a building to prevent roof damage and re-entrainment of exhaust air.

Greenheck's versatile tube axial design can be used in most commercial and industrial applications. Typical applications include:

- General exhaust
- Industrial space ventilation
- Fume hood exhaust
- Paint booth exhaust

TAUD Features:

- Direct drive construction
- Propeller diameters from 18 to 48 inch (457-1912 mm)
- Volume Range: 2,800 to 46,000 cfm (4,760-78,100 m³/hr)
- Static Pressure: Up to 1.0 inch wg (250 Pa)
- Temperatures: Up to 110°F (43°C)

TAUB-CA Features:

- Spark resistant construction
- Belt drive with motor and drives out of airstream
- Propeller diameters from 18 to 60 inch (457-1524 mm)
- Volume Range: 2,800 to 74,000 cfm (4,760-125,700 m³/hr)
- Static Pressure: Up to 1.25 inches wg (310 Pa)
- Temperatures: Up to 180°F (82°C)



Cast Aluminum Propellers

The TAUD and TAUB-CA use heavy-duty, cast aluminum airfoil propellers that are designed to meet a large range capacity and pressure requirements.

All TAUD and TAUB-CA propellers are dynamically balanced to assure vibration-free operation. All propellers are tightly secured to the fan or motor shaft with taper lock bushings.



Enjoy Greenheck's extraordinary service, before, during and after the sale.

Greenheck offers added value to our wide selection of top performing, energy-efficient products by providing several unique Greenheck service programs.

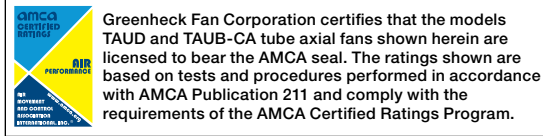
- Our Quick Delivery Program ensures shipment of our in-stock products within 24 hours of placing your order. Our Quick Build made-to-order products can be produced in 1-3-5-10-15- or 25-day production cycles, depending upon their complexity.
- Greenheck's free Computer Aided Product Selection program (CAPS), rated by many as the best in the industry, helps you conveniently and efficiently select the right products for the challenge at hand.
- Greenheck has been Green for a long time! Our energy-saving products and ongoing corporate commitment to sustainability can help you qualify for LEED credits.
- Our 3D service allows you to download, at no charge, easy-to-use AutoDesk™ Revit™ 3D drawings for many of our ventilation products.

Find out more about these special Greenheck services at greenheck.com



AMCA Licensed Air Data and UL/cUL Listing

All sizes and configurations of the TAUD and TAUB-CA have AMCA licensed air data. In addition, UL/cUL 705 Listing is available for both TAUD and TAUB-CA models. Motors may be either 50 or 60 Hz.



Quality Design

Construction includes heavy-gauge material used in the housing, windband, and curb cap. Rolled edges on the windband and damper blades are used for additional strength. Greenheck's curb cap includes integral venturi and prepunched mounting holes.

Electrostatic Powder Paint



Powder coatings offer a uniform, durable, and high quality finish. Powder coating is a one-coat process applied over a phosphatized surface that generally meets or exceeds the corrosion resistance of a comparable wet paint. Greenheck offers a number of in-house coatings applied via electrostatic powder. The standard coating, Permator™, is excellent for indoor or outdoor applications and is resistant to many common chemicals. For information on our complete offering of coatings, visit greenheck.com and navigate to Library/ Application Articles. Search for Performance Coatings for Ventilation Products for a comprehensive listing of coatings and a relative resistance chart.

Maintenance / Serviceability



The TAUB incorporates the following value added features that allow for quick and easy field service.

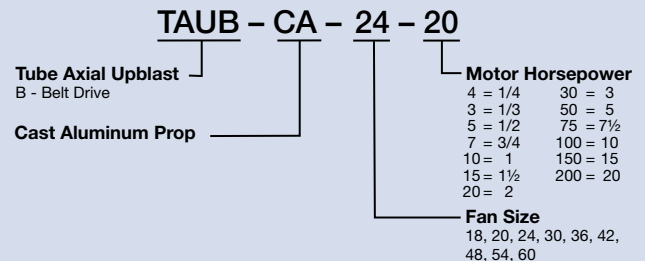
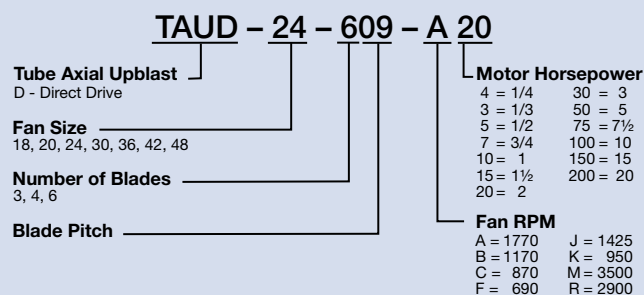
- Bearing lubrication is performed through extended grease fittings located on the outside of the fan housing.
- An adjustable motor base is provided for tightening the fan belts.
- Propellers are easily removed with the use of taper lock bushings.



Complete Assembly and Testing

The TAUD and TAUB-CA are completely assembled and tested before shipment. Our inspectors check that the fan operates with minimal vibration and is electrically safe for field operation.

Model Number Code



Standard Construction

Housing - Housings are continuously welded to prevent air leakage. The fan tube, curb cap, windband and motor cover are constructed of heavy-gauge steel with Permator™ coating.

Butterfly Dampers - Butterfly style dampers feature rolled edges for strength and weather protection. Damper stops maintain proper blade position when fan is operating. Gaskets line the edge of fan discharge for quiet damper closure. For sizes 18-30 aluminum material is standard and steel is standard for sizes 36-60. *Aluminum blades optional on larger sizes.*

Bearings (Belt Drive) - Bearings are air handling quality, grease lubricated, pillow block type. Bearings are selected with a basic rating fatigue life L_{10} in excess of 40,000 hours (L_{50} at 200,000 hours) at each fan's maximum operating speed.

Extended Lube Lines (Belt Drive) - Extended lube lines with grease fittings allow bearing lubrication from the fan exterior.

Belt and Bearing Tube (Belt Drive) - Belts, bearings, and drives are protected from the airstream by a heavy-gauge steel belt tube and bearing cover.

Adjustable Motor Bases (Belt Drive) - Rigid structural steel motor bases are welded to the fan housing and include heavy-duty adjustment screws for belt tensioning.

Drives (Belt Drive) - Greenheck offers either constant or adjustable speed drives for fan speed adjustments. Belts are static free and oil resistant.

Motors - NEMA base-mounted motors are standard. Motors are available in open drip proof, totally enclosed, or explosion proof.

Motor Cover (Belt Drive) - A weatherproof motor cover shields the motor and drive components from dust, dirt, and moisture. Motor cover meets OSHA standards.

Accessories

Outlet Screen - Outlet screens constructed of steel mesh shield dampers and fan discharge from debris.

Fusible Link Damper Lifter - Automatically opens butterfly dampers when the air temperature below the damper blades exceeds 165°F (74°C). Damper blades held open to provide smoke and heat relief with no electric power required.

Magnetic Latches - Magnetic damper latches minimize damper flutter (due to pressure changes within the building) when the fan is not in operation.

Inspection Door - A bolted or hinged inspection door provides access through the fan tube for cleaning or inspection of the propeller, bearings, and drives.

Inlet Guard - Inlet guards provide protection for personnel and equipment in ducted or non-ducted installations. Inlet guards meet OSHA standards.

Extended Wiring (Direct Drive) - Motor wiring is extended to the exterior of the fan casing for easy installation of the unit in the field.

Tie Down Points - A set of 4 tie down points are used to secure the fan to the roof deck when wind loading is a concern.

Shaft Seal - Shaft seals with aluminum rub rings are available to prohibit leakage of air into the bearing compartment of the fan.

Roof Curbs - A complete line of prefabricated roof curbs are available for mounting Model TAUD and TAUB fans. See the Greenheck Roof Curbs, Extensions & Equipment Supports catalog.

Special Coatings - Special coatings are available for protective purposes. Coatings are applied before assembly so each manufactured component is coated inside and out. Painting the exterior a specified color for appearance is also an option. For information on our complete offering of coatings, visit greenheck.com and navigate to Library/Application Articles. Search for Performance Coatings for Ventilation Products for a comprehensive listing of coatings and a relative resistance chart.

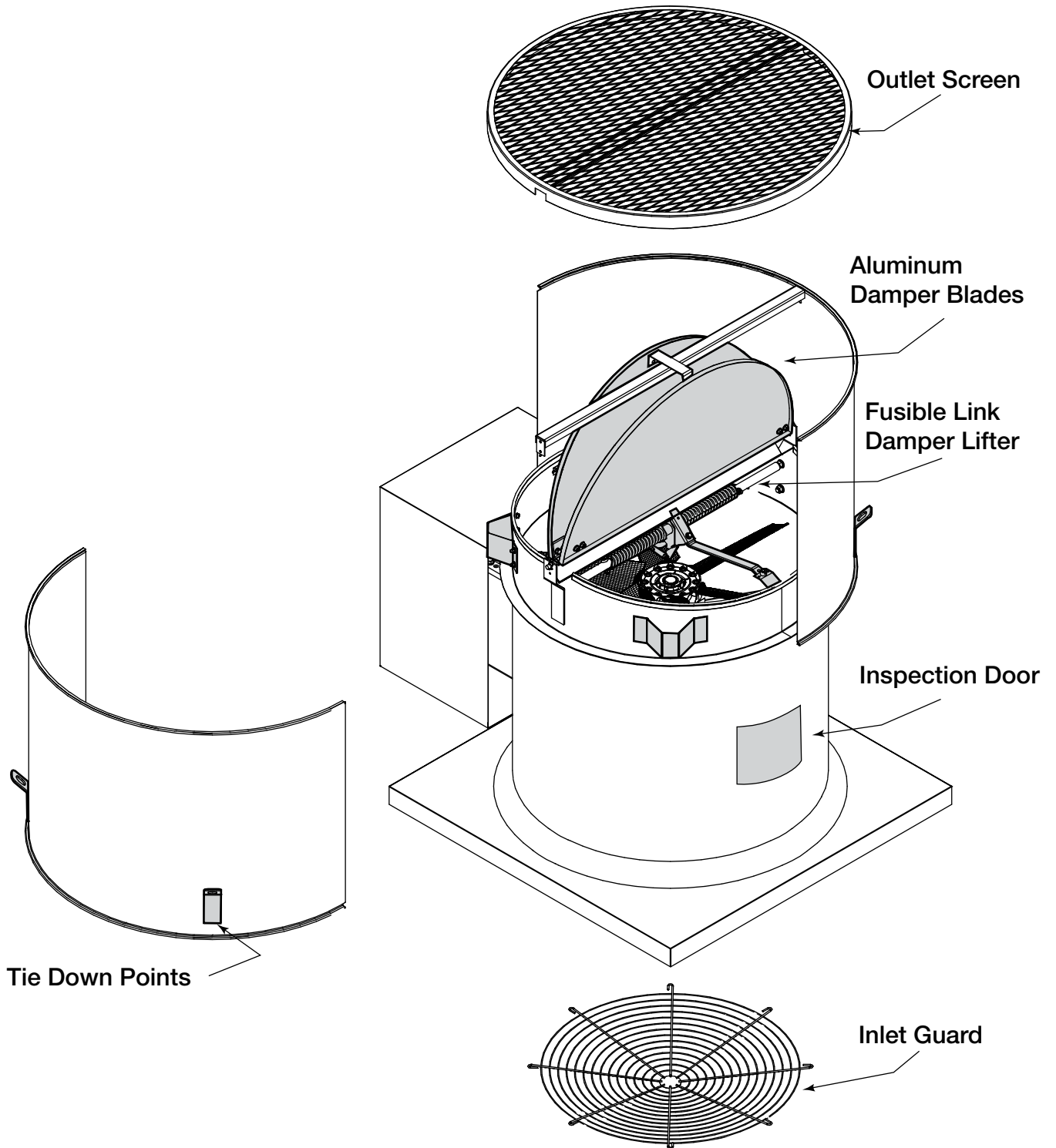
Disconnect Switches - Toggle and heavy-duty disconnect switches are available for positive electrical shut-off and safety in servicing fans. The following switches are available to meet individual electrical requirements and can be factory-mounted or shipped loose for field mounting.

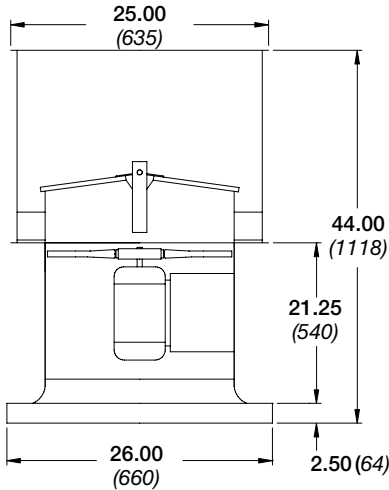
- NEMA-3R — Rainproof (outdoor)
- NEMA-4 — Watertight (outdoor)
- NEMA-7 & 9 — Class 1 and 2 hazardous locations.

Greenheck will not factory-mount NEMA-7 & 9 disconnect switches.

Motor Starters - The fundamental function of a motor starter is to protect the motor from damage that can occur from overheating. With a Greenheck motor starter you will be provided with the best motor protection available.

Specific model components may include SmartStart™ technology, physical interface, overload protection, disconnect, magnetic contactor, NEMA-1 or NEMA-3R steel enclosures and pre-engineered easy system integration. For complete information on specific Greenheck Motor Starter models, visit our motor starter web page on greenheck.com.





Specifications

Max fpm = 1725

Outlet Velocity (fpm) = cfm / 3.41 ft²

Tip Speed = fpm x 4.71

Max Motor Frame Size = 145T

Fan Tube Gauge = 12 ga.

Windband Gauge = 20 ga.

Curb Cap = 12 ga.

Approx. Weight (LM) = 145 lbs. (66 kg.)

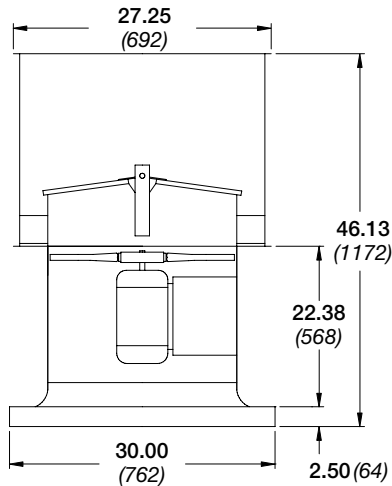
Recommended Roof Opening = 20½ x 20½ in. (521 x 521 mm)

Dimensions are shown in inches (millimeters).

Minimum CFM required to open butterfly dampers:
 Aluminum Dampers: 2752
 Steel Dampers: 3526

TAUD Performance Data

Model Number	Motor HP	Fan RPM	Max BHP	CFM / Static Pressure in Inches WG						
				0.000	0.050	0.100	0.125	0.250	0.375	0.500
				CFM	CFM	CFM	CFM	CFM	CFM	CFM
18-438	1/4	1140	0.28	2854	2688	2491	2402			
18-631	1/4	1140	0.27	2914	2780	1631	2556			
18-638	1/3	1140	0.36	3121	2975	2823	2739			
18-413	1/4	1725	0.27	2795	2712	2625	2574			
18-316	1/4	1725	0.28	2913	2812	2708	2652	2343	1978	
18-615	1/3	1725	0.36	2953	2891	2830	2799	2605		
18-418	1/3	1725	0.38	3201	3118	3035	2991	2731		
18-324	1/2	1725	0.43	3428	3303	3180	3119	2818	2457	
18-423	1/2	1725	0.54	3590	3498	3406	3357	3090	2785	2369
18-330	1/2	1725	0.59	3741	3632	3502	3433	3097	2734	
18-622	3/4	1725	0.61	3661	3591	3521	3486	3283	3052	2763
18-338	3/4	1725	0.78	3971	3834	3708	3650	3337		
18-435	3/4	1725	0.89	4207	4103	3998	3945	3646	3340	
18-628	1	1725	0.81	4163	4081	3999	3958	3725	3480	3196
18-634	1	1725	1.08	4584	4490	4395	4348	4108	3842	3536



Specifications

Max fpm = 1725

Outlet Velocity (fpm) = cfm / 4.05 ft²

Tip Speed = fpm x 5.23

Max Motor Frame Size = 145T

Fan Tube Gauge = 12 ga.

Windband Gauge = 20 ga.

Curb Cap = 12 ga.

Approx. Weight (LM) = 160 lbs. (73 kg.)

Recommended Roof Opening = 20½ x 20½ in. (521 x 521 mm)

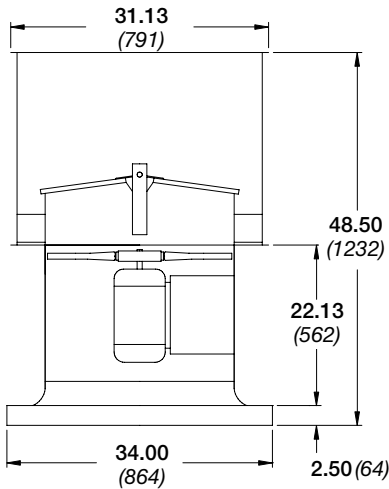
Dimensions are shown in inches (millimeters).

Minimum CFM required to open butterfly dampers:
Aluminum Dampers: 3169
Steel Dampers: 4087

TAUD Performance Data

Model Number	Motor HP	Fan RPM	Max BHP	CFM / Static Pressure in Inches WG						
				0.000	0.050	0.100	0.125	0.250	0.375	0.500
				CFM	CFM	CFM	CFM	CFM	CFM	CFM
20-331	1/4	1140	0.28	3513	3270	3042	2921			
20-621	1/4	1140	0.28	3423	3283	3140	3067			
20-428	1/4	1140	0.30	3626	3436	3237	3126			
20-433	1/3	1140	0.37	3837	3627	3428	3319			
20-626	1/3	1140	0.38	3870	3686	3511	3426	2961		
20-637	1/2	1140	0.59	4448	4273	4087	3989			
20-311	1/4	1725	0.26	3318	3183	3053	2990			
20-410	1/3	1725	0.30	3375	3268	3162	3110			
20-314	1/3	1725	0.37	3775	3653	3533	3473	3105		
20-613	1/2	1725	0.58	3928	3857	3788	3754	3526	3292	2992
20-417	1/2	1725	0.59	4353	4242	4131	4076	3781	3453	3070
20-321	3/4	1725	0.62	4573	4450	4321	4248	3874	3474	3033
20-619	1	1725	0.89	4864	4779	4693	4650	4419	4168	3860
20-329	1	1725	0.89	5197	5039	4882	4804	4410	4000	3552
20-424	3/4	1725	1.86	5102	4992	4883	4828	4482	4164	3798
20-335	1	1725	1.11	5475	5337	5196	5107	4660	4215	
20-623	1	1725	1.12	5438	5339	5240	5191	4926	4656	4376
20-430	1	1725	1.13	5568	5447	4327	5267	4926	4573	4187

Performance shown is for installation type A: free inlet, free outlet. Performance ratings do not include the effects of appurtenances in the airstream.



Specifications

Max fpm = 1725

Outlet Velocity (fpm) = cfm / 5.28 ft²

Tip Speed = fpm x 6.28

Max Motor Frame Size = 184T

Fan Tube Gauge = 12 ga.

Windband Gauge = 20 ga.

Curb Cap = 12 ga.

Approx. Weight (LM) = 225 lbs. (102 kg.)

Recommended Roof Opening = 26½ x 26½ in. (673 x 673 mm)

Dimensions are shown in inches (millimeters).

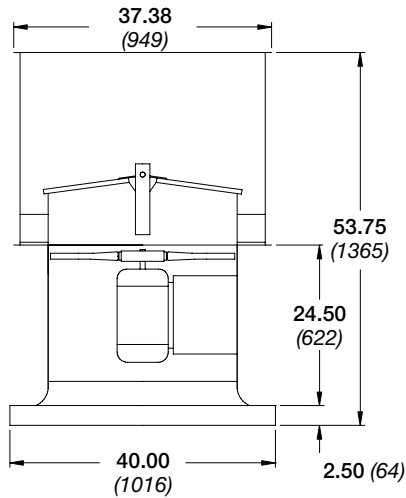
Minimum CFM required to open butterfly dampers:
Aluminum Dampers: 3947
Steel Dampers: 5220

TAUD Performance Data

Model Number	Motor HP	Fan RPM	Max BHP	CFM / Static Pressure in Inches WG							
				0.000	0.125	0.250	0.375	0.500	0.625	0.750	1.000
				CFM	CFM	CFM	CFM	CFM	CFM	CFM	CFM
24-431	1/4	860	0.29	4793	3756						
24-624	1/4	860	0.29	4762	3995	3123					
24-438	1/3	860	0.37	5090	4038						
24-414	1/4	1140	0.25	4491	3883						
24-318	1/4	1140	0.27	4738	4005	3075					
24-613	1/3	1140	0.35	4639	4179	3659					
24-323	1/3	1140	0.36	5255	4461	3528					
24-419	1/3	1140	0.36	5247	4562	3843					
24-621	1/2	1140	0.57	5907	5352	4760	4114				
24-427	1/2	1140	0.56	6038	5345	4540					
24-335	3/4	1140	0.60	6020	5151						
24-438	3/4	1140	0.87	6747	5977	5029					
24-630	3/4	1140	0.87	6886	6269	5625	4920				
24-635	1	1140	1.14	7383	6740	6072	5300				
24-409	1/2	1725	0.58	5565	5177	4767	4339	3832			
24-311	1/2	1725	0.58	5741	5320	4823	4257	3565			
24-605	1/2	175	0.57	4602	4313	4031	3703				
24-610	3/4	1725	0.90	5935	5673	5379	5065	4725	4347	3919	
24-414	1	1725	0.90	6795	6422	5996	5580	5087	4501	3803	
24-318	1	1725	0.95	7170	6750	6510	5653	5030	4380		
24-613	1-1/2	1725	1.23	7020	6723	6415	6100	5760	5357	4950	
24-419	1-1/2	1725	1.26	7940	7508	7039	6583	6103	5580	5013	
24-323	1-1/2	1725	1.25	7952	7484	6917	6340	5707	5076		
24-618	1-1/2	1725	1.70	8328	7968	7617	7272	6914	6516	6099	5657
24-424	1-1/2	1725	1.68	8757	8293	7853	7376	6862	6319	5750	
24-330	1-1/2	1725	1.76	8739	8179	7586	6999	6401	5724		
24-624	3	1725	2.35	9552	9206	8835	8426	8022	7620	7183	6740
24-338	2	1725	2.31	9277	8702	8106	7508				
24-432	2	1725	2.33	9614	9121	8648	8108	7546	6989	6404	
24-632	3	1725	3.33	10695	10288	9901	9527	9073	8594	8095	7603

Performance shown is for installation type A: free inlet, free outlet. Performance ratings do not include the effects of appurtenances in the airstream.

TAUD-30 Direct Drive



Specifications

Max fpm = 1725

Outlet Velocity (fpm) = cfm / 7.62 ft²

Tip Speed = fpm x 7.85

Max Motor Frame Size = 184T

Fan Tube Gauge = 12 ga.

Windband Gauge = 20 ga.

Curb Cap = 12 ga.

Approx. Weight (LM) = 280 lbs. (280 kg.)

Recommended Roof Opening = 32½ x 32½ in. (826 x 826 mm)

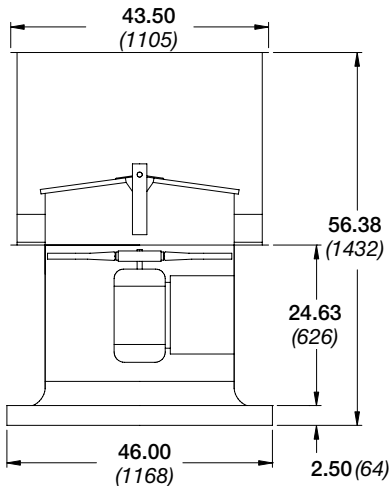
Dimensions are shown in inches (millimeters).

Minimum CFM required to open butterfly dampers:
 Aluminum Dampers: 6043
 Steel Dampers: 7129

TAUD Performance Data

Model Number	Motor HP	Fan RPM	Max BHP	CFM / Static Pressure in Inches WG							
				0.000	0.125	0.250	0.375	0.500	0.625	0.750	1.000
				CFM	CFM	CFM	CFM	CFM	CFM	CFM	CFM
30-414	1/4	860	0.29	6820	5519						
30-613	1/3	860	0.39	7328	6271	4979					
30-420	1/3	860	0.40	7779	6426	4523					
30-426	1/2	860	0.58	8775	7272	5464					
30-619	1/2	860	0.59	8742	7626	6313					
30-335	3/4	860	0.61	8677	6995						
30-627	3/4	860	0.88	10082	8907	7486					
30-634	1	860	1.15	10898	9636	8215					
30-411	1/2	1140	0.52	8291	7382	6288	4823				
30-608	1/2	1140	0.57	7662	6945	6159	5194				
30-317	3/4	1140	0.61	9037	7818	6554	4588				
30-322	3/4	1140	0.83	9935	8750	7376	5731				
30-613	1	1140	0.93	9714	8944	8109	7212	5962			
30-616	1	1140	1.11	10461	9676	8878	7962	6740			
30-423	1	1140	1.15	11033	10010	8876	7438				
30-431	1-1/2	1140	1.67	12386	11119	9997	8663				
30-624	2	1140	1.78	12699	11834	11022	10031	8782			
30-630	2	1140	2.27	13691	12762	11812	10837	9695			
30-309	1	1725	1.10	10633	9892	9084	8311	7275	6144		
30-406	1	1725	1.13	9765	9240	8559	7832	7119	6200	5208	
30-603	1-1/2	1725	1.20	8202	7776	7257	6699	6171	5619		
30-606	1-1/2	1725	1.66	10515	10085	9620	9094	8543	7989	7376	5795
30-608	2	1725	1.99	11593	11160	10667	10155	9636	9088	8436	7055
30-411	2	1725	1.85	12545	11936	11342	10628	9916	1942	8211	
30-317	2	1725	2.12	13675	12850	12053	11306	10485	9487	8294	
30-414	2	1725	2.33	13679	13075	12437	11770	11086	10319	9476	7129
30-613	3	1725	3.20	14698	14202	13693	13143	12591	12038	11446	10026
30-420	3	1725	3.26	15604	15050	14433	13700	12908	12167	11333	9147
30-327	5	1725	5.34	17835	16866	16063	15136	14101	12726		
30-622	5	1725	5.44	18249	17750	17231	16674	16115	15555	14890	13585
30-429	5	1725	5.37	18144	17485	16789	16045	15137	14287	13450	11405

Performance shown is for installation type A: free inlet, free outlet. Performance ratings do not include the effects of appurtenances in the airstream.



Specifications

Max fpm = 1725

Outlet Velocity (fpm) = cfm / 10.32 ft²

Tip Speed = fpm x 9.42

Max Motor Frame Size = 215T

Fan Tube Gauge = 12 ga.

Windband Gauge = 20 ga.

Curb Cap = 12 ga.

Approx. Weight (LM) = 410 lbs. (186 kg.)

Recommended Roof Opening = 38½ x 38½ in. (978 x 978 mm)

Dimensions are shown in inches (millimeters).

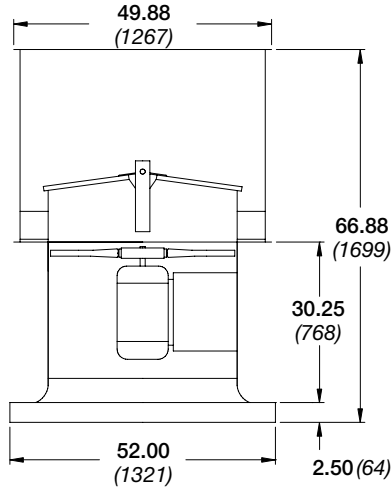
Minimum CFM required to open butterfly dampers:
 Aluminum Dampers: 7618
 Steel Dampers: 10981

TAUD Performance Data

Model Number	Motor HP	Fan RPM	Max BHP	CFM / Static Pressure in Inches WG							
				0.000	0.125	0.250	0.375	0.500	0.625	0.750	1.000
				CFM	CFM	CFM	CFM	CFM	CFM	CFM	CFM
36-412	1/2	860	0.55	10477	8942	7034					
36-608	1/2	860	0.59	9546	8527	7194					
36-612	3/4	860	0.83	11480	10382	9016	7342				
36-322	3/4	860	0.83	12665	10690	8268					
36-329	1	860	1.13	13918	11826	9379					
36-617	1	860	1.13	13310	12109	10709	9005				
36-432	1-1/2	860	1.71	15642	13908	11893					
36-625	1-1/2	860	1.76	15837	14544	13004	11218				
36-631	2	860	2.34	17286	15871	14201	12363				
36-640	3	860	3.29	19008	17401	15604					
36-305	1/2	1140	0.56	10247	8853	7224					
36-403	3/4	1140	0.61	9055	7828	6485					
36-407	3/4	1140	0.86	11543	10434	9142	7706	5960			
36-604	1	1140	0.94	9714	8809	7868	6873				
36-410	1	1140	1.09	13019	11955	10724	9296	7531			
36-610	1-1/2	1140	1.63	14096	13235	12375	11391	10292	8971	7352	
36-320	1-1/2	1140	1.63	15975	14533	13015	11221	8897			
36-615	2	1140	2.30	16408	15638	14714	13738	12637	11387	9766	
36-325	2	1140	2.31	17779	16284	14703	12863	10835			
36-612	3	1140	3.26	19184	18359	17402	16358	15203	13855	12293	
36-440	5	1140	5.39	22090	20654	18751	16760				
36-631	5	1140	5.44	22914	21960	20736	19492	18177	16785	14977	
36-305	2	1725	1.96	15506	14562	13668	12686	11608	10396	9099	
36-403	2	1725	2.13	13702	12906	12084	11182	10301	9409	8433	
36-407	3	1725	2.97	17466	166988	15992	15208	14349	13458	12558	10444
36-604	3	1725	3.27	14699	14096	13499	12912	12279	11633	10985	9507
36-610	5	1725	5.66	21330	20758	20187	19635	19083	18456	17816	16461
36-302	5	1725	5.64	24172	23316	22331	21181	20264	19228	18105	15416
36-615	7-1/2	1725	7.90	24828	24319	23811	23254	22628	22001	21353	20011
36-325	7-1/2	1725	8.10	26903	25900	24919	23955	22879	21735	20502	18116
36-612	10	1725	11.31	29028	28483	27938	27376	26715	26054	25376	23939
36-427	10	1725	11.16	29680	28872	28042	27119	26197	25195	24193	22056

Performance shown is for installation type A: free inlet, free outlet. Performance ratings do not include the effects of appurtenances in the airstream.

TAUD-42 Direct Drive



Specifications

Max fpm = 1140

Outlet Velocity (fpm) = cfm / 13.57 ft²

Tip Speed = fpm x 10.99

Max Motor Frame Size = 256T

Fan Tube Gauge = 10 ga.

Windband Gauge = 20 ga.

Curb Cap = 10 ga.

Approx. Weight (LM) = 620 lbs. (281 kg.)

Recommended Roof Opening = 44½ x 44½ in. (1130 x 1130 mm)

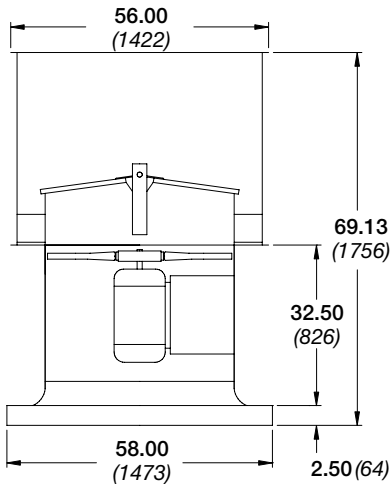
Dimensions are shown in inches (millimeters).

Minimum CFM required to open butterfly dampers:
 Aluminum Dampers: 11045
 Steel Dampers: 13551

TAUD Performance Data

Model Number	Motor HP	Fan RPM	Max BHP	CFM / Static Pressure in Inches WG							
				0.000	0.125	0.250	0.375	0.500	0.625	0.750	1.000
				CFM	CFM	CFM	CFM	CFM	CFM	CFM	CFM
42-322	3/4	680	0.83	15944	12042						
42-418	3/4	680	0.84	16104	13125						
42-617	1	680	1.09	16983	14705	11747					
42-423	1	680	1.15	17791	14433						
42-623	1-1/2	680	1.73	20045	17454	14434					
42-632	2	680	2.33	21959	19186	15981					
42-607	1	860	1.16	16247	14586	12640	10369				
42-412	1	860	1.14	17521	15124	12711	8912				
42-614	2	860	1.82	20023	18144	16358	14164	11012			
42-322	1-1/2	860	1.68	20165	17207	13881					
42-418	1-1/2	860	1.73	20367	18071	15341					
42-617	2	860	2.23	21479	19746	17790	15407	12217			
42-329	2	860	2.28	21728	18967	15056					
42-423	2	860	2.33	22500	19844	17114	13568				
42-432	3	860	3.36	24735	22160	19148					
42-623	3	860	3.26	25086	23084	20771	18306	14921			
42-403	1-1/2	1140	1.22	15798	14104	12253	10216				
42-305	1	1140	1.10	16620	14498	12345	19661				
42-603	2	1140	1.83	17255	15865	14508	13034	11528	9830		
42-309	1-1/2	1140	1.62	19647	17566	15433	12758	9315			
42-606	2	1140	2.29	19883	18576	17201	15602	14185	12307	10430	
42-408	1-1/2	1140	1.74	20501	18861	17113	15068	12948	10037		
42-411	3	1140	2.41	22278	20646	18858	16985	14843	11917		
42-314	2	1140	2.28	22553	20365	17888	15585	12418			
42-610	3	1140	3.29	23607	22368	21017	19645	18022	16409	14474	
42-414	3	1140	3.09	24559	22920	21014	18944	16776	13969		
42-318	3	1140	3.12	24639	22727	20307	17555	14635	10192		
42-617	5	1140	5.17	28472	27178	25852	24362	22857	21004	18936	
42-329	5	1140	5.31	28803	26775	24566	21752				
42-423	5	1140	5.43	29826	27993	25834	23791	21574	18851		
42-623	7-1/2	1140	8.14	33605	32342	30599	28963	27341	25606	23319	
42-632	10	1140	10.98	36814	35197	33468	31879	30373	28412	25503	

Performance shown is for installation type A: free inlet, free outlet. Performance ratings do not include the effects of appurtenances in the airstream.



Specifications

Max fpm = 1140

Outlet Velocity (fpm) = cfm / 17.10 ft²

Tip Speed = fpm x 12.56

Max Motor Frame Size = 256T

Fan Tube Gauge = 10 ga.

Windband Gauge = 20 ga.

Curb Cap = 10 ga.

Approx. Weight (LM) = 800 lbs. (363 kg.)

Recommended Roof Opening = 50½ x 50½ in. (1283 x 1283 mm)

Dimensions are shown in inches (millimeters).

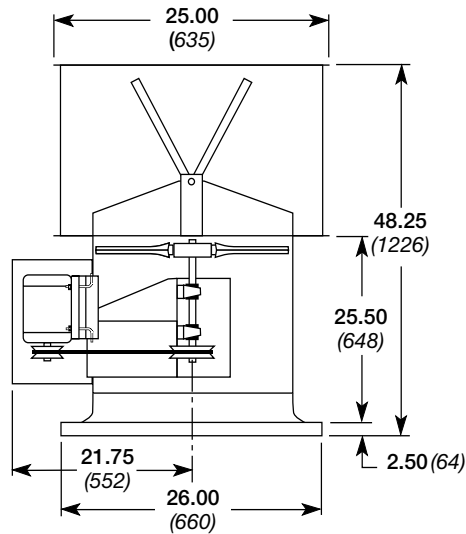
Minimum CFM required to open butterfly dampers:
 Aluminum Dampers: 12817
 Steel Dampers: 16421

TAUD Performance Data

Model Number	Motor HP	Fan RPM	Max BHP	CFM / Static Pressure in Inches WG							
				0.000	0.125	0.250	0.375	0.500	0.625	0.750	1.000
				CFM	CFM	CFM	CFM	CFM	CFM	CFM	CFM
48-606	3/4	680	0.80	17281	14480						
48-411	3/4	680	0.84	19416	15634						
48-610	1	680	1.13	20608	17538	14279					
48-415	1	680	1.11	21591	17609						
48-421	1-1/2	680	1.65	24856	20085	14657					
48-616	1-1/2	680	1.73	24960	21814	18362	12957				
48-428	2	680	2.32	27137	22361						
48-620	2	680	2.26	27710	24264	20373	14484				
48-627	3	680	3.37	30936	27426	23440					
48-406	1	860	1.13	20865	17861	14501	10000				
48-309	1	860	1.17	22190	18909	14710					
48-603	1-1/2	860	1.23	18685	16305	13892	11219				
48-606	1-1/2	860	1.63	21855	19759	17272	14596	11310			
48-315	2	860	1.78	25688	22087	17714					
48-610	2	860	2.30	26063	23652	21248	18687	15353			
48-415	2	860	2.22	27306	24307	20872	16462				
48-320	3	860	2.38	28319	24040	19643	12735				
48-615	3	860	3.32	30561	28356	25795	22913	19656	14452		
48-421	3	860	3.33	31435	27781	23768	19430				
48-432	5	860	5.38	34762	30921	26916	18798				
48-622	5	860	5.33	36360	33983	31147	27936	24197			
48-404	2	1140	2.16	24531	22523	20517	17712	14906	11689		
48-306	2	1140	1.98	25047	22972	20115	16703				
48-604	3	1140	3.15	25989	24488	22745	21044	19159	16975	14628	
48-407	3	1140	3.03	29135	26745	24444	22036	19168	15790		
48-610	5	1140	5.36	34549	32774	30884	29069	27269	25372	23036	17275
48-415	5	1140	5.22	36197	33860	31629	29022	26322	22965	18261	
48-320	5	1140	5.53	37539	34093	31180	27899	24175	18793		
48-421	7-1/2	1140	7.77	41670	39064	36104	33094	29956	26675	22607	
48-616	7-1/2	1140	8.25	41845	39800	38022	36171	34129	32211	29822	23459
48-428	10	1140	10.95	45494	42436	39795	36965	33917			
48-620	10	1140	10.58	46455	44268	42243	40371	38672	36005	32978	26099

Performance shown is for installation type A: free inlet, free outlet. Performance ratings do not include the effects of appurtenances in the airstream.

TAUB-CA-18 Belt Drive



Specifications

Max fpm = 2235

Outlet Velocity (fpm) = cfm / 3.41 ft²

Tip Speed = fpm x 4.71

Max Motor Frame Size = 145T

Fan Tube Gauge = 12 ga.

Windband Gauge = 20 ga.

Curb Cap = 12 ga.

Approx. Weight (LM) = 180 lbs. (82 kg.)

Recommended Roof Opening = 20½ x 20½ in. (521 x 521 mm)

Dimensions are shown in inches (millimeters).

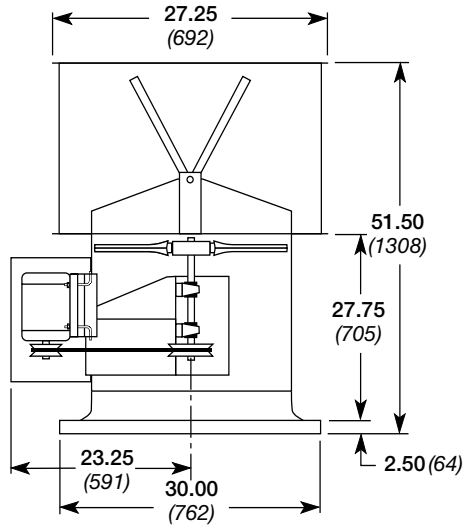
Minimum CFM required to open butterfly dampers:
 Aluminum Dampers: 2752
 Steel Dampers: 3526

TAUB-CA Performance Data

Model Number	Motor HP	Fan RPM	Max BHP	CFM / Static Pressure in Inches WG							
				0.000	0.125	0.250	0.375	0.500	0.625	0.750	1.000
				CFM	CFM	CFM	CFM	CFM	CFM	CFM	CFM
18-5	1/2	1400	0.40	2980	2745						
18-5	1/2	1435	0.44	3055	2826						
18-5	1/2	1470	0.47	3129	2907						
18-5	1/2	1505	0.50	3204	2987	2737					
18-5	1/2	1545	0.54	3289	3079	2837					
18-7	3/4	1575	0.58	3353	3148	2911	2658				
18-7	3/4	1615	0.62	3438	3239	3010	2764				
18-7	3/4	1655	0.67	3523	3330	3108	2870				
18-7	3/4	1695	0.72	3608	3421	3206	2975	2723			
18-7	3/4	1735	0.77	3693	3510	3303	3079	2840			
18-7	3/4	1775	0.83	3778	3600	3399	3180	2951	2687		
18-10	1	1815	0.88	3864	3689	3495	3281	3059	2808		
18-10	1	1850	0.93	3938	3766	3578	3369	3152	2912		
18-10	1	1885	0.99	4013	3844	3660	3457	3245	3015	2739	
18-10	1	1920	1.05	4087	3922	3742	3543	3337	3118	2870	
18-10	1	1955	1.10	4162	3999	3824	3630	3429	3219	2976	
18-15	1-1/2	2010	1.19	4279	4121	3951	3765	3572	3368	3140	
18-15	1-1/2	2055	1.28	4374	4220	4055	3875	3686	3489	3274	2678
18-15	1-1/2	2100	1.37	4470	4319	4159	3984	3800	3608	3406	2860
18-15	1-1/2	2145	1.46	4566	4418	4263	4093	3912	3727	3536	3039
18-15	1-1/2	2190	1.55	4662	4517	4366	4202	4025	3845	3658	3215
18-15	1-1/2	2235	1.65	4758	4616	4469	4310	4136	3962	3779	3368

Performance shown is for installation type A: free inlet, free outlet. Performance ratings do not include the effects of appurtenances in the airstream. Power rating (bhp) does not include drive losses.

TAUB-CA-20 Belt Drive



Specifications

Max fpm = 2190

Outlet Velocity (fpm) = cfm / 4.05 ft²

Tip Speed = fpm x 5.23

Max Motor Frame Size = 182T

Fan Tube Gauge = 12 ga.

Windband Gauge = 20 ga.

Curb Cap = 12 ga.

Approx. Weight (LM) = 205 lbs. (93 kg.)

Recommended Roof Opening = 22½ x 22½ in. (572 x 572 mm)

Dimensions are shown in inches (millimeters).

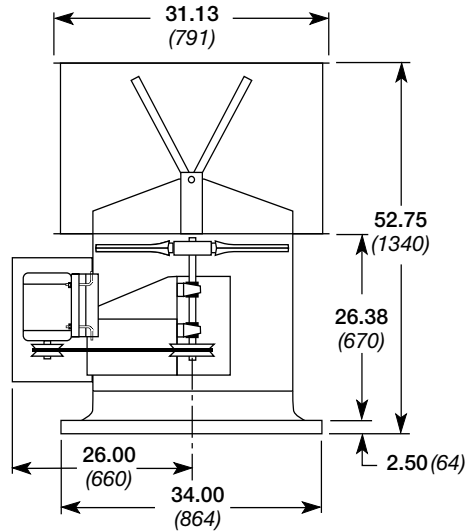
Minimum CFM required to open butterfly dampers:
 Aluminum Dampers: 3169
 Steel Dampers: 4087

TAUB-CA Performance Data

Model Number	Motor HP	Fan RPM	Max BHP	CFM / Static Pressure in Inches WG							
				0.000	0.125	0.250	0.375	0.500	0.625	0.750	1.000
				CFM	CFM	CFM	CFM	CFM	CFM	CFM	CFM
20-5	1/2	1265	0.4	3679	3358	2980	2333				
20-5	1/2	1310	0.45	3810	3502	3143	2630				
20-5	1/2	1355	0.49	3941	3645	3305	2858				
20-5	1/2	1400	0.55	4072	3788	3464	3069				
20-7	3/4	1445	0.6	4203	3930	3617	3264	2591			
20-7	3/4	1500	0.67	4363	4102	3802	3468	2954			
20-7	3/4	1550	0.74	4508	4259	3969	3652	3231			
20-7	3/4	1600	0.82	4653	4414	4134	3834	3466	2798		
20-10	1	1635	0.87	4755	4523	4250	3960	3629	3024		
20-10	1	1680	0.95	4886	4662	4396	4121	3811	3322		
20-10	1	1725	1.02	5017	4801	4542	4277	3979	3574		
20-10	1	1770	1.11	5148	4940	4687	4430	4145	3787	3174	
20-15	1-1/2	1800	1.16	5235	5031	4784	4531	4254	3927	3373	
20-15	1-1/2	1845	1.25	5366	5167	4928	4683	4418	4136	3670	
20-15	1-1/2	1890	1.35	5497	5303	5072	4833	4580	4305	3917	
20-15	1-1/2	1935	1.44	5628	5438	5215	4982	4741	4472	4130	
20-15	1-1/2	1980	1.55	5759	5573	5357	5131	4899	4638	4340	
20-15	1-1/2	2025	1.65	5890	5708	5499	5278	5052	4802	4546	3546
20-20	2	2055	1.73	5977	5798	5594	5376	5153	4911	4658	3737
20-20	2	2100	1.85	6108	5933	5735	5522	5305	5073	4826	4038
20-20	2	2145	1.96	6239	6068	5876	5667	5456	5235	4992	4333
20-20	2	2190	2.09	6369	6202	6016	5812	5606	5395	5158	4559

Performance shown is for installation type A: free inlet, free outlet. Performance ratings do not include the effects of appurtenances in the airstream. Power rating (bhp) does not include drive losses.

TAUB-CA-24 Belt Drive



Specifications

Max fpm = 1975

Outlet Velocity (fpm) = cfm / 5.28 ft²

Tip Speed = fpm x 6.28

Max Motor Frame Size = 184T

Fan Tube Gauge = 12 ga.

Windband Gauge = 20 ga.

Curb Cap = 12 ga.

Approx. Weight (LM) = 280 lbs. (127 kg.)

Recommended Roof Opening = 26½ x 26½ in. (673 x 673 mm)

Dimensions are shown in inches (millimeters).

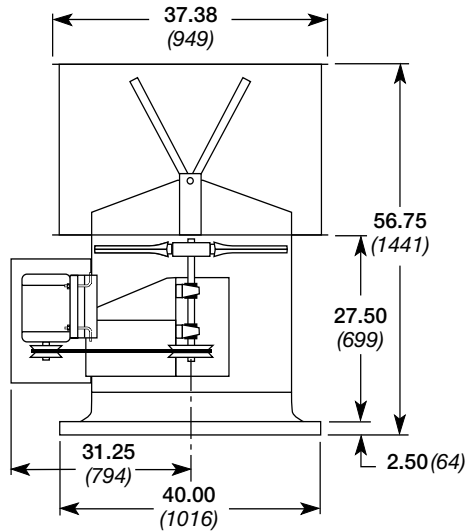
Minimum CFM required to open butterfly dampers:
Aluminum Dampers: 3947
Steel Dampers: 5220

TAUB-CA Performance Data

Model Number	Motor HP	Fan RPM	Max BHP	CFM / Static Pressure in Inches WG							
				0.000	0.125	0.250	0.375	0.500	0.625	0.750	1.000
				CFM	CFM	CFM	CFM	CFM	CFM	CFM	CFM
24-5	1/2	1015	0.43	5242	4696	4059					
24-5	1/2	1060	0.48	5474	4956	4360	3598				
24-5	1/2	1105	0.55	5706	5213	4648	3964				
24-7	3/4	1160	0.64	5990	5526	4994	4399	3532			
24-7	3/4	1215	0.73	6274	5836	5336	4780	4076			
24-7	3/4	1270	0.83	6558	6144	5669	5153	4529			
24-10	1	1295	0.88	6687	6284	5818	5320	4730			
24-10	1	1345	0.99	6946	6561	6113	5640	5118			
24-10	1	1395	1.1	7204	6838	6406	5956	5465	3991		
24-15	1-1/2	1440	1.21	7436	7086	6667	6237	5772	4519		
24-15	1-1/2	1480	1.32	7643	7306	6898	6485	6041	4914		
24-15	1-1/2	1520	1.42	7849	7525	7128	6731	6301	5260		
24-15	1-1/2	1560	1.53	8056	7744	7357	6971	6556	5584		
24-20	2	1600	1.66	8262	7962	7585	7208	6809	5904		
24-20	2	1645	1.81	8495	8207	7840	7474	7091	6253	5040	
24-20	2	1685	1.95	8701	8424	8066	7708	7340	6531	5438	
24-20	2	1725	2.09	8908	8641	8291	7942	7587	6806	5827	
24-30	3	1775	2.27	9166	8911	8571	8232	7892	7146	6235	
24-30	3	1825	2.47	9424	9181	8851	8520	8190	7482	6638	5492
24-30	3	1875	2.68	9683	9450	9129	8807	8486	7803	7034	5992
24-30	3	1925	2.91	9941	9715	9406	9093	8780	8121	7398	6483
24-30	3	1975	3.13	10199	9979	9683	9377	9072	8437	7743	6894

Performance shown is for installation type A: free inlet, free outlet. Performance ratings do not include the effects of appurtenances in the airstream. Power rating (bhp) does not include drive losses.

TAUB-CA-30 Belt Drive



Specifications

Max fpm = 1810

Outlet Velocity (fpm) = cfm / 7.62 ft²

Tip Speed = fpm x 7.85

Max Motor Frame Size = 213T

Fan Tube Gauge = 12 ga.

Windband Gauge = 20 ga.

Curb Cap = 12 ga.

Approx. Weight (LM) = 370 lbs. (168 kg.)

Recommended Roof Opening = 32½ x 32½ in. (826 x 826 mm)

Dimensions are shown in inches (millimeters).

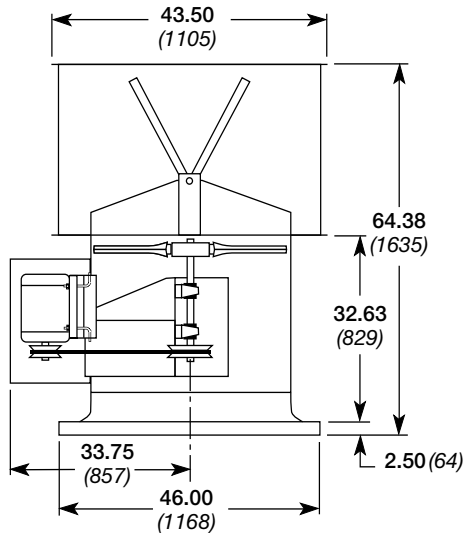
Minimum CFM required to open butterfly dampers:
 Aluminum Dampers: 6043
 Steel Dampers: 7129

TAUB-CA Performance Data

Model Number	Motor HP	Fan RPM	Max BHP	CFM / Static Pressure in Inches WG							
				0.000	0.125	0.250	0.375	0.500	0.625	0.750	1.000
				CFM	CFM	CFM	CFM	CFM	CFM	CFM	CFM
30-5	1/2	820	0.49	7864	6807	5588					
30-5	1/2	860	0.56	8247	7242	6112					
30-7	3/4	900	0.64	8631	7673	6626					
30-7	3/4	940	0.73	9015	8100	7130	5854				
30-10	1	980	0.83	9398	8523	7600	6480				
30-10	1	1015	0.92	9734	8892	8003	6985				
30-10	1	1045	1.01	10022	9205	8346	7379	6041			
30-10	1	1075	1.09	10309	9518	8686	7767	6595			
30-15	1-1/2	1125	1.25	10789	10033	9246	8403	7380			
30-15	1-1/2	1180	1.44	11316	10597	9849	9072	8171			
30-15	1-1/2	1235	1.66	11844	11158	10445	9709	8887	6396		
30-20	2	1265	1.78	12131	11462	10768	10053	9272	7069		
30-20	2	1300	1.94	12467	11817	11142	10450	9715	7811		
30-20	2	1335	2.06	12803	12170	11515	10845	10153	8368		
30-30	3	1400	2.41	13426	12824	12202	11568	10911	9380	6790	
30-30	3	1465	2.77	14049	13475	12884	12278	11657	10267	8259	
30-30	3	1530	3.16	14673	14124	13561	12980	12393	11108	9481	
30-50	5	1575	3.44	15104	14572	14025	13463	12898	11682	10188	7815
30-50	5	1635	3.85	15680	15168	14641	14103	13559	12434	11109	9169
30-50	5	1695	4.29	16255	15763	15254	14738	14213	13135	11899	10352
30-50	5	1755	4.76	16830	16357	15865	15369	14863	13828	12677	11299
30-50	5	1810	5.23	17358	16899	16423	15944	15453	14456	13379	12150

Performance shown is for installation type A: free inlet, free outlet. Performance ratings do not include the effects of appurtenances in the airstream. Power rating (bhp) does not include drive losses.

TAUB-CA-36 Belt Drive



Specifications

Max fpm = 1700

Outlet Velocity (fpm) = cfm / 10.32 ft²

Tip Speed = fpm x 9.42

Max Motor Frame Size = 215T

Fan Tube Gauge = 12 ga.

Windband Gauge = 20 ga.

Curb Cap = 12 ga.

Approx. Weight (LM) = 500 lbs. (227 kg.)

Recommended Roof Opening = 38½ x 38½ in. (978 x 978 mm)

Dimensions are shown in inches (millimeters).

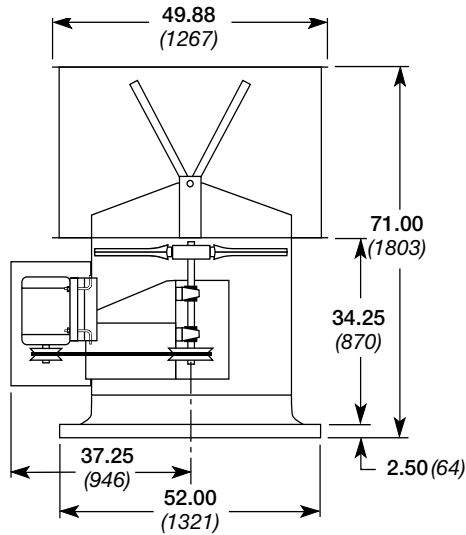
Minimum CFM required to open butterfly dampers:
Aluminum Dampers: 7618
Steel Dampers: 10981

TAUB-CA Performance Data

Model Number	Motor HP	Fan RPM	Max BHP	CFM / Static Pressure in Inches WG								
				0.000	0.125	0.250	0.375	0.500	0.625	0.750	1.000	
				CFM	CFM	CFM	CFM	CFM	CFM	CFM	CFM	
36-7	3/4	745	0.65	11255	9741	7659						
36-7	3/4	800	0.82	12086	10685	8925						
36-10	1	820	0.88	12388	11024	9359	6752					
36-10	1	850	0.98	12841	11531	9966	7671					
36-10	1	880	1.09	13294	12033	10564	8537					
36-15	1-1/2	930	1.28	14050	12862	11533	9824	7220				
36-15	1-1/2	970	1.45	14654	13519	12274	10716	8521				
36-15	1-1/2	1010	1.65	15258	14172	13006	11579	9683				
36-20	2	1040	1.8	15712	14659	13541	12185	10482				
36-20	2	1065	1.93	16089	15064	13973	12685	11122				
36-20	2	1095	2.09	16542	15548	14489	13278	11817				
36-30	3	1145	2.4	17298	16352	15342	14237	12921	9048			
36-30	3	1200	2.76	18129	17231	16272	15253	14052	10788			
36-30	3	1255	3.15	18960	18106	17193	16255	15147	12352			
36-50	5	1305	3.54	19715	18894	18021	17125	16120	13638	9857		
36-50	5	1365	4.05	20621	19836	19007	18155	17233	15004	11850		
36-50	5	1425	4.63	21528	20776	19987	19175	18332	16307	13597		
36-50	5	1485	5.23	22434	21713	20962	20186	19396	17518	15189	11915	
36-75	7-1/2	1535	5.77	23190	22492	21770	21023	20258	18511	16409	13511	
36-75	7-1/2	1590	6.41	24021	23347	22655	21934	21200	19588	17631	15110	
36-75	7-1/2	1645	7.12	24851	24200	23537	22840	22134	20612	18821	16589	
36-75	7-1/2	1700	7.85	25682	25052	24415	23741	23061	21625	19932	17982	

Performance shown is for installation type A: free inlet, free outlet. Performance ratings do not include the effects of appurtenances in the airstream. Power rating (bhp) does not include drive losses.

TAUB-CA-42 Belt Drive



Specifications

Max fpm = 1580

Outlet Velocity (fpm) = CFM / 13.57 ft²

Tip Speed = fpm x 10.99

Max Motor Frame Size = 215T

Fan Tube Gauge = 10 ga.

Windband Gauge = 20 ga.

Curb Cap = 10 ga.

Approx. Weight (LM) = 670 lbs. (304 kg.)

Recommended Roof Opening = 44½ x 44½ in. (1130 x 1130 mm)

Dimensions are shown in inches (millimeters).

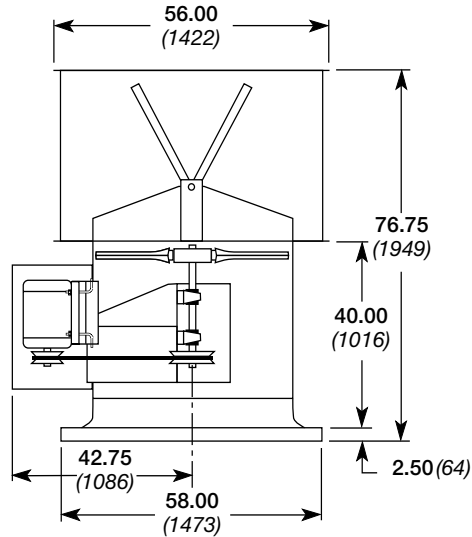
Minimum CFM required to open butterfly dampers:
Aluminum Dampers: 11045
Steel Dampers: 13551

TAUB-CA Performance Data

Model Number	Motor HP	Fan RPM	Max BHP	CFM / Static Pressure in Inches WG							
				0.000	0.125	0.250	0.375	0.500	0.625	0.750	1.000
				CFM	CFM	CFM	CFM	CFM	CFM	CFM	CFM
42-10	1	595	0.94	14015	12285						
42-10	1	615	1.05	14486	12823	10734					
42-15	1-1/2	645	1.21	15192	13620	11735					
42-15	1-1/2	695	1.51	16370	14932	13299	10766				
42-20	2	725	1.71	17077	15711	14166	12028				
42-20	2	745	1.86	17548	16227	14727	12823				
42-20	2	765	2.03	18019	16741	15283	13574				
42-30	3	790	2.23	18608	17381	15972	14374	11787			
42-30	3	830	2.58	19550	18399	17064	15632	13600			
42-30	3	870	2.97	20492	19412	18142	16844	15191			
42-50	5	920	3.52	21670	20650	19468	18247	16844	11758		
42-50	5	980	4.24	23083	22126	21042	19903	18719	15078		
42-50	5	1040	5.04	24496	23594	22598	21533	20447	17596	12149	
42-50	5	1070	5.54	25203	24326	23371	22338	21284	18780	14063	
42-75	7-1/2	1105	6.1	26027	25178	24268	23268	22252	19938	16035	
42-75	7-1/2	1145	6.78	26969	26150	25289	24324	23348	21205	18064	12465
42-75	7-1/2	1185	7.5	27912	27120	26305	25373	24435	22455	19684	15008
42-75	7-1/2	1220	8.17	28736	27967	27190	26285	25379	23527	21075	17119
42-100	10	1250	8.84	29443	28692	27941	27063	26179	24375	22191	18684
42-100	10	1280	9.48	30149	29416	28683	27838	26975	25217	23152	20191
42-100	10	1305	10.04	30738	30019	29300	28482	27636	25915	23946	21208
42-100	10	1345	11	31680	30983	30285	29509	28687	27023	25203	22811

Performance shown is for installation type A: free inlet, free outlet. Performance ratings do not include the effects of appurtenances in the airstream. Power rating (bhp) does not include drive losses.

TAUB-CA-48 Belt Drive



Specifications

Max fpm = 1550

Outlet Velocity (fpm) = cfm / 17.10 ft²

Tip Speed = fpm x 12.56

Max Motor Frame Size = 254T

Fan Tube Gauge = 10 ga.

Windband Gauge = 20 ga.

Curb Cap = 10 ga.

Approx. Weight (LM) = 865 lbs. (392 kg.)

Recommended Roof Opening = 50½ x 50½ in. (1283 x 1283 mm)

Dimensions are shown in inches (millimeters).

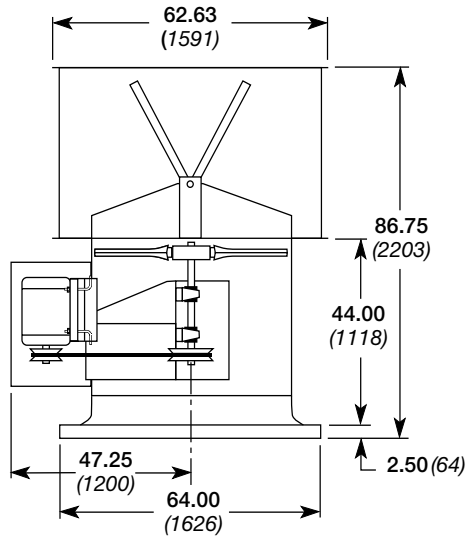
Minimum CFM required to open butterfly dampers:
 Aluminum Dampers: 12591
 Steel Dampers: 16241

TAUB-CA Performance Data

Model Number	Motor HP	Fan RPM	Max BHP	CFM / Static Pressure in Inches WG								
				0.000	0.125	0.250	0.375	0.500	0.625	0.750	1.000	
				CFM	CFM	CFM	CFM	CFM	CFM	CFM	CFM	
48-15	1-1/2	495	1.16	17450	15218	12027						
48-15	1-1/2	545	1.55	19213	17228	14765	10438					
48-20	2	595	2.02	20975	19194	17098	14060					
48-20	2	611	2.19	21539	19816	17798	15011					
48-30	3	625	2.34	22033	20359	18393	15832	11661				
48-30	3	650	2.63	22914	21324	19447	17248	13774				
48-30	3	680	3.02	23972	22474	20696	18676	15785				
48-30	3	700	3.29	24677	23237	21520	19613	17007				
48-50	5	740	3.89	26087	24746	23139	21442	19340	12097			
48-50	5	770	4.37	27145	25856	24334	22719	20845	14694			
48-50	5	800	4.91	28202	26962	25519	23981	22260	17135			
48-50	5	825	5.39	29083	27881	26501	25023	23422	18814	12005		
48-75	7-1/2	840	5.69	29612	28431	27087	25643	24113	19797	13010		
48-75	7-1/2	880	6.53	31022	29895	28642	27283	25848	22163	16137		
48-75	7-1/2	920	7.47	32432	31354	30186	28886	27534	24429	19531	13261	
48-75	7-1/2	950	8.19	33490	32445	31337	30078	28784	25860	21549	15265	
48-100	10	970	8.66	34195	33172	32101	30869	29612	26803	22862	16766	
48-100	10	990	9.26	34900	33898	32864	31656	30436	27739	24055	18601	
48-100	10	1010	9.89	35605	34623	33624	32441	31255	28667	25233	20406	
48-100	10	1030	10.49	36310	35347	34383	33222	32061	29588	26398	21932	
48-150	15	1065	11.6	37544	36612	35680	34584	33461	31114	28336	24284	
48-150	15	1100	12.8	38778	37876	36974	35938	34851	32597	30004	26487	
48-150	15	1135	14	40012	39137	38263	37286	36233	34066	31650	28549	
48-150	15	1170	15.4	41246	40397	39549	38628	37606	35523	33275	30576	

Performance shown is for installation type A: free inlet, free outlet. Performance ratings do not include the effects of appurtenances in the airstream. Power rating (bhp) does not include drive losses.

TAUB-CA-54 Belt Drive



Specifications

Max fpm = 1270

Outlet Velocity (fpm) = cfm / 21.39 ft²

Tip Speed = fpm x 14.13

Max Motor Frame Size = 256T

Fan Tube Gauge = 10 ga.

Windband Gauge = 18 ga.

Curb Cap = 10 ga.

Approx. Weight (LM) = 1170 lbs. (531 kg.)

Recommended Roof Opening = 56½ x 56½ in. (1422 x 1422 mm)

Dimensions are shown in inches (millimeters).

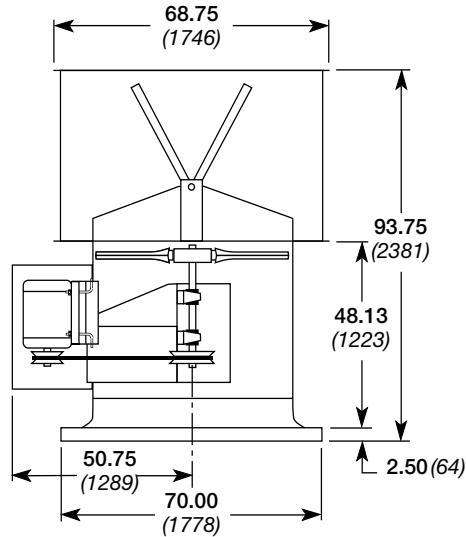
Minimum CFM required to open butterfly dampers:
 Aluminum Dampers: 16005
 Steel Dampers: 21425

TAUB-CA Performance Data

Model Number	Motor HP	Fan RPM	Max BHP	CFM / Static Pressure in Inches WG								
				0.000	0.125	0.250	0.375	0.500	0.625	0.750	1.000	
				CFM	CFM	CFM	CFM	CFM	CFM	CFM	CFM	
54-20	2	475	2.24	28091	24924	20807						
54-30	3	500	2.61	29569	26596	22883						
54-30	3	525	3.03	31047	28251	24913						
54-30	3	535	3.19	31639	28908	25714	20534					
54-50	5	575	3.99	34004	31519	28577	24812					
54-50	5	600	4.53	35483	33136	30328	27005	21238				
54-50	5	625	5.12	36961	34744	32059	29057	24702				
54-75	7-1/2	645	5.62	38144	36012	33431	30673	26747				
54-75	7-1/2	660	6.03	39031	36948	34453	31851	28256				
54-75	7-1/2	685	6.74	40510	38502	36136	33638	30533				
54-75	7-1/2	710	7.50	41988	40051	37804	35405	32598	21874			
54-75	7-1/2	735	8.32	43466	41596	39460	37154	34631	26033			
54-100	10	750	8.84	44354	42520	40449	38196	35837	28127			
54-100	10	765	9.39	45241	43443	41434	39232	36987	30191			
54-100	10	780	9.95	46128	44365	42415	40263	38061	31746			
54-100	10	805	10.9	47606	45898	44044	41970	39837	34273	22559		
54-150	15	835	12.2	49380	47734	45989	43993	41946	37066	27973		
54-150	15	865	13.6	51154	49565	47923	45997	44034	39550	32336		
54-150	15	895	15.0	52929	51392	49847	47986	46102	41995	36078	24515	
54-150	15	925	16.5	54703	53216	51730	49963	48154	44406	39121	29748	
54-200	20	945	17.7	55885	54430	52975	51274	49511	45879	41118	33062	
54-200	20	965	18.8	57068	55643	54218	52581	50854	47306	42869	35861	
54-200	20	985	20.0	58251	56855	55459	53883	52192	48725	44530	38619	
54-200	20	1000	21.0	59138	57763	56388	54857	53191	49783	45765	40271	

Performance shown is for installation type A: free inlet, free outlet. Performance ratings do not include the effects of appurtenances in the airstream. Power rating (bhp) does not include drive losses.

TAUB-CA-60 Belt Drive



Specifications

Max fpm = 950

Outlet Velocity (fpm) = cfm / 25.78 ft²

Tip Speed = fpm x 15.70

Max Motor Frame Size = 284T

Fan Tube Gauge = 10 ga.

Windband Gauge = 18 ga.

Curb Cap = 10 ga.

Approx. Weight (LM) = 1440 lbs. (653 kg.)

Recommended Roof Opening = 62½ x 62½ in. (1588 x 1588 mm)

Dimensions are shown in inches (millimeters).

Minimum CFM required to open butterfly dampers:
 Aluminum Dampers: 18051
 Steel Dampers: 24820

TAUB-CA Performance Data

Model Number	Motor HP	Fan RPM	Max BHP	CFM / Static Pressure in Inches WG								
				0.000	0.125	0.250	0.375	0.500	0.625	0.750	1.000	
				CFM	CFM	CFM	CFM	CFM	CFM	CFM	CFM	
60-20	2	415	2.15	32356	27799	22312						
60-30	3	440	2.59	34306	30030	25227						
60-30	3	470	3.15	36645	32678	28356	22255					
60-50	5	500	3.78	38984	35305	31273	26298					
60-50	5	530	4.51	41323	37903	34129	29872	23864				
60-50	5	555	5.21	43272	40049	36426	32686	27375				
60-75	7-1/2	590	6.23	46001	43028	39593	36136	31920				
60-75	7-1/2	615	7.06	47950	45118	41826	38554	34841				
60-75	7-1/2	635	7.80	49509	46767	43596	40463	37134	26358			
60-100	10	660	8.74	51458	48820	45800	42804	39641	30828			
60-100	10	680	9.54	53018	50457	47560	44637	41602	33563			
60-100	10	700	10.39	54577	52089	49310	46454	43542	36248			
60-150	15	725	11.5	56526	54124	51483	48706	45940	39378			
60-150	15	750	12.8	58476	56153	53643	50939	48309	42299	33844		
60-150	15	775	14.2	60425	58178	55791	53155	50610	45170	37369		
60-150	15	805	15.9	62764	60600	58354	55799	53343	48221	41418		
60-200	20	835	17.7	65103	63017	60903	58440	56048	51164	45215	37127	
60-200	20	860	19.3	67052	65027	63002	60625	58283	53586	48143	40892	
60-200	20	885	21.1	69001	67033	65065	62799	60504	55984	51028	44293	
60-250	25	910	23.0	70950	69037	67123	64962	62709	58359	53743	47633	
60-250	25	930	24.5	72510	70637	68764	66684	64473	60223	55727	50131	
60-250	25	950	26.0	74069	72236	70403	68400	66236	62060	57694	52484	

Performance shown is for installation type A: free inlet, free outlet. Performance ratings do not include the effects of appurtenances in the airstream. Power rating (bhp) does not include drive losses.

Automotive Duty - Upblast Roof Ventilator

Greenheck's TAUB-CA Automotive Duty fan takes upblast roof ventilators to a new level. Increased material gauges combined with high standards in construction and component parts creates a quality, heavy-duty product capable of meeting the toughest demands.



Standard Features:

- Heavy-gauge steel housing, windband, dampers and curb cap
- AMCA licensed air performance
- "Air Handling Quality" bearings with L₁₀ 40,000 hour (L₅₀ at 200,000 hours) bearing life
- Electrostatically applied, industrial grade powder paint
- External lube lines
- Drives sized for a minimum of 150% of the motor horsepower
- Cast aluminum hub and airfoil blades balanced to grade G6.3
- Adjustable motor pivot base for belt tensioning

Standard Construction:

The housing, bearing support and motor base are constructed of structural members to prevent vibration and rigidly support the shaft, bearings and motor. Curb caps are welded to the fan housing to provide a leak resistant seal. Also incorporated into the curb cap design is an integral venturi inlet with a prepunched mounting flange. Windbands have reinforced edges for rigidity.



Optional Accessories:

- Aluminum and spark resistant construction
- NEMA 3R heavy-duty disconnect switches with optional pigtail
- Complete line of corrosion resistant coatings
- UL/cUL 705
- OSHA inlet and outlet guards
- Felt shaft seal
- Access door - bolted or hinged
- Welded roof curbs
- Fusible link damper lifters

Spark Resistant - Inline Cast Aluminum Propeller

TBI-CA and TDI axial fans are a practical choice for inline applications involving clean air or air containing volatile compounds. These fans can be used in either ducted or unducted applications. Cast aluminum hub and airfoil blades provide spark resistant construction and are suited for 1 to 3 inches wg (249 - 747 Pa) of static pressure. Three levels of construction provide efficient and economical selections for reliable performance in commercial and industrial applications.

Typical applications include:

- General exhaust, supply or return air
- Industrial or commercial space ventilation
- Fume hood exhaust
- Paint booth exhaust
- Emergency smoke exhaust

Levels four and five available in roof upblast style.

Lower Pressures



TAUB-CA TAUD



TBI-CA
Level 3



TBI-CA TDI
Level 4

Higher Pressures



TBI-CA TDI
Level 5

High Temperature or Emergency Smoke Control - Steel Propeller

Model TBI-FS inline fans are the ideal choice for installations for high temperature applications, continuous duty or emergency use. Designed for commercial and industrial applications for air volumes up to 77,000 cfm (130,000 m³/hr) and moderate pressures to 4 inches wg (996 Pa). TBI-FS models have a continuously welded housing and are belt driven with motors and drives out of the airstream. All propellers are constructed with airfoil blades that are continuously welded to heavy-duty hubs to ensure long life in the harshest applications.

Typical applications include:

- General exhaust, supply or return air
- Industrial space and warehouse ventilation
- UL/cUL Listed for emergency heat and smoke removal
- High temperature process ventilation

	Operating Temperature		Time Duration
	°F	°C	Hours
Continuous Duty			
Standard Construction	180	82	Continuous
Inline	400	204	Continuous
Roof Upblast	500	260	Continuous
Emergency Smoke Control			
HT-II	500	260	4
	572	300	1
HT-III	752	400	2
	1000	538	1
HT-UL • UL/cUL Listed	300	149	5
	750	399	4
	1000	538	0.25

Lower Pressures



TAUB-L/H

TBI-FS
Level 3



TBI-FS
Level 4

Higher Pressures



TBI-FS
Level 5

Specifications

General Tube Axial Roof Mount

Roof mount fans shall be of the tube axial type with cast aluminum airfoil propellers.

Fan tube, wind band, and curb cap shall be constructed of heavy-gauge steel with prepunched mounting flange and an integral venturi inlet. Curb cap shall have prepunched mounting holes.

Steel housings and structural components to be coated with Permator™, an electrostatically applied thermosetting polyester urethane. Minimum coating thickness to be 2 mils.

Fan performance shall be based on tests conducted in accordance with AMCA Standard 210. All fans shall be licensed to bear the AMCA Certified Ratings Seal for Air Performance.

Model TAUD Tube Axial Roof Mount, Direct Drive

Propellers shall be cast aluminum airfoil design. A tapered bushing shall lock the propeller to the motor shaft. Propellers to be dynamically balanced. Hubs shall be two piece aluminum castings that securely lock the blades in place.

Fans shall be model TAUD as manufactured by Greenheck of Schofield, Wisconsin, USA.

Model TAUB-CA Tube Axial Roof Mount, Belt Drive

Propellers shall be cast aluminum airfoil design. A tapered bushing shall lock the propeller to the fan shaft. Propellers to be dynamically balanced. Hubs shall be two piece aluminum castings that securely lock the blades in place.

Bearings shall be cast iron pillow block, grease lubricated, and self-aligning. Bearings shall be Air Handling Quality and tested for reduced swivel torque, bore size, noise, and vibration. Bearings shall be selected for an L₁₀ life, per ABMA standards, in excess of 40,000 hours at maximum operating speed.

Turned, precision ground and polished steel shafts shall be sized so the first critical speed is at least 25% over the maximum operating speed for each level of construction.

Fans shall be model TAUB-CA as manufactured by Greenheck of Schofield, Wisconsin, USA.



Building Value in Air

Greenheck delivers value to mechanical engineers by helping them solve virtually any air quality challenges their clients face with a comprehensive selection of

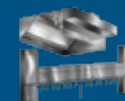
top quality, innovative air-related equipment. We offer extra value to contractors by providing easy-to-install, competitively priced, reliable products that arrive on time.

And building owners and occupants value the energy efficiency, low maintenance and quiet dependable operation they experience long after the construction project ends.

Our Commitment

As a result of our commitment to continuous improvement, Greenheck reserves the right to change specifications without notice.

Specific Greenheck product warranties are located on greenheck.com within the product area tabs and in the Library under Warranties.



Prepared to Support
Green Building Efforts