

SRSH



SRSH

Tamper Proof Downblast Centrifugal Exhaust Ventilators

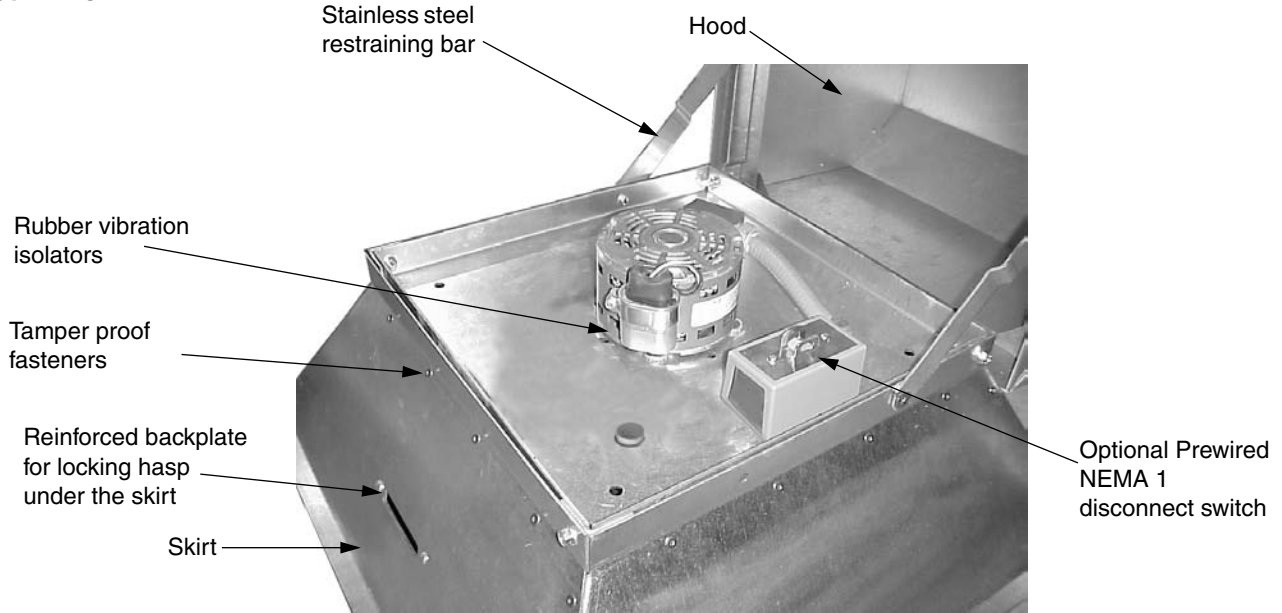


	Page
Introduction	2
SRSH-D Specifications and Dimension Data	3
SRSH-B Specifications and Dimension Data	4
Accessories	5-6
60 - 180 SRSH-D Performance Data	7
60 - 100 SRSH-B Performance Data	8-9
120 - 165 SRSH-B Performance Data	10-11
180 - 225 SRSH-B Performance Data	12-13
245 - 270 SRSH-B Performance Data	14-15
UL 762 Listed for Restaurant Exhaust Appliances	16

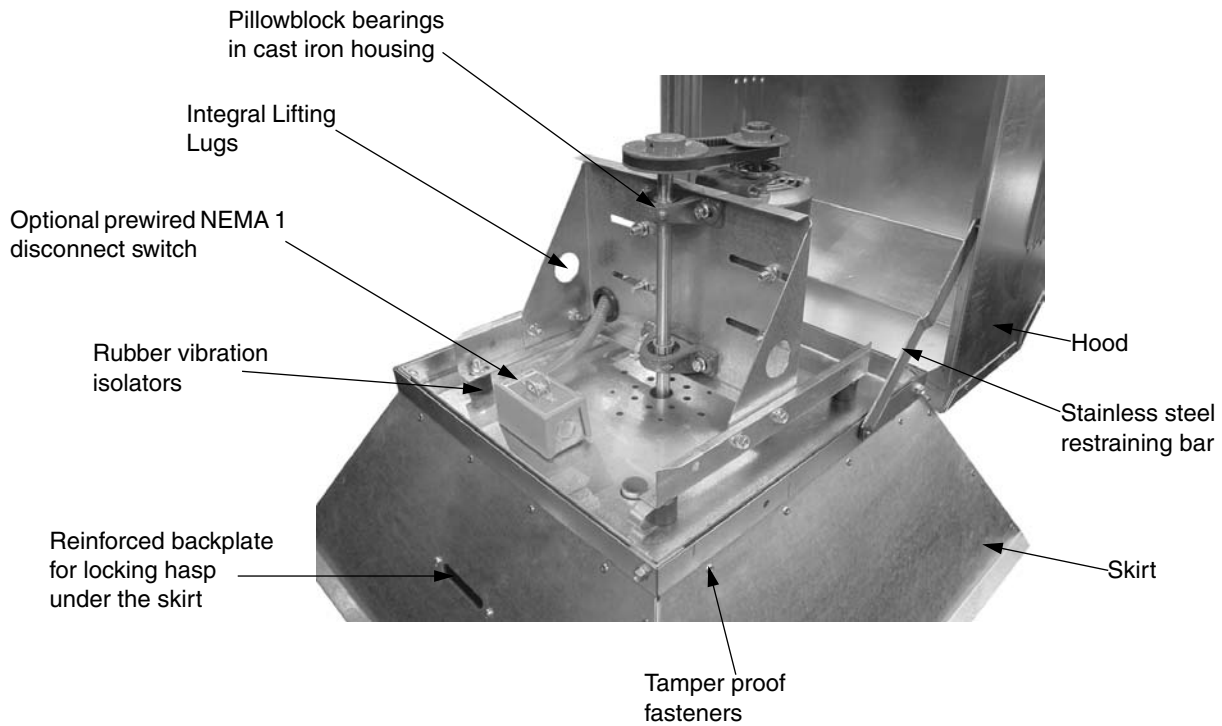
SRSH Tamper Proof Downblast Centrifugal Exhaust Ventilator

SRSH Tamper Proof Downblast Centrifugal Exhaust Ventilators provide maximum performance and durability in a wide variety of commercial and industrial air moving applications. All units are tested in Cook's AMCA registered laboratory in accordance with AMCA standards and are licensed to bear the AMCA Certified Ratings Seal for Air Performance. They are listed by Underwriters Laboratories (UL 705) and UL listed for Canada (cUL 705).

SRSH-D Direct Drive



SRSH-B Belt Drive



Description: Fan shall be a galvanized steel, tamper proof, roof mounted, direct drive, downblast centrifugal exhaust ventilator.

Certifications: Fan shall be manufactured at an ISO 9001 certified facility. Fan shall be listed by Underwriters Laboratories (UL 705) and UL listed for Canada (cUL 705). Fan shall bear the AMCA Certified Ratings Seal for Air Performance.

Construction: The fan shall be of bolted, riveted and welded construction utilizing corrosion resistant fasteners. The discharge skirt shall be 16 gauge galvanized steel construction fastened with stainless steel rivets. An 18 gauge galvanized steel hood shall have a stainless steel .25 diameter full length hinge to provide secure access into the motor compartment. The hood shall have two .125" gauge x 1.25" wide restraining bars to hold the hood in the open locked position when servicing. A heavy-duty .125" thick stainless steel locking hasp shall provide complete security with the use of a standard padlock concealed under the skirt. An integral conduit chase shall be provided through the curb cap and into the motor compartment to facilitate wiring connections. The motor shall be mounted on a 10 gauge steel mounting plate, isolated from the unit structure with rubber vibration isolators. The complete motor and wheel assembly can be removed for servicing without disassembling the hood or skirt assemblies. Unit shall bear an engraved aluminum nameplate and shall be shipped in ISTA Certified Transit Tested Packaging.

Wheel: Wheel shall be centrifugal backward inclined, constructed of 100% aluminum, including a precision machined cast aluminum hub. An aerodynamic galvanized steel inlet cone shall be provided for maximum performance and efficiency. Wheel shall be balanced in accordance with AMCA Standard 204-96, Balance Quality and Vibration Levels for Fans.

Motor: Motor shall be heavy duty type with permanently lubricated sealed bearings and furnished at the specified voltage, phase and enclosure.

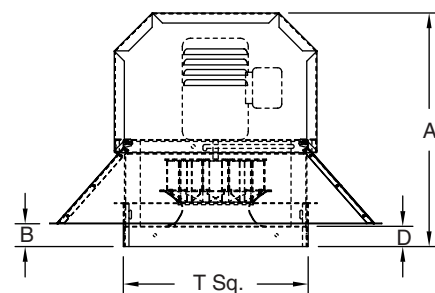
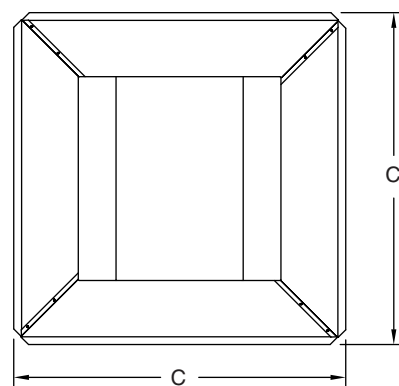
Product: Fan shall be model SRSB-D as manufactured by Loren Cook Company of Springfield, Missouri.

SRSB-D Dimension Data

Size	A	B	C	D	T Sq.	Roof Opening Square*	Approx. Ship Wt.-Lbs.
60	23-7/16	1	29-1/4	2	18	13-1/2	100
65	23-7/16	1	29-1/4	2	18	13-1/2	100
70	23-7/16	1	29-1/4	2	18	13-1/2	100
75	23-7/16	1	29-1/4	2	18	13-1/2	100
80	23-7/16	1	29-1/4	2	18	13-1/2	100
85	23-7/16	1	29-1/4	2 </td <td>18</td> <td>13-1/2</td> <td>100</td>	18	13-1/2	100
100	23-7/16	1	29-1/4	2	18	13-1/2	100
120	24-11/16	1	32-11/16	2	20	15-1/2	117
135	25-5/8	1	33-3/4	2	20	15-1/2	121
150	29-9/16	1	38-13/16	2	24	19-1/2	156
165	30-1/2	1	39-15/16	2	24	19-1/2	162
180	36-7/16	1-1/2	47-9/16	3	30	25-1/2	226

All dimensions in inches. *Roof opening size for curbs supplied by Loren Cook Company only.

Tamper Proof Downblast Centrifugal Exhaust Ventilator Roof Mounted/Direct Drive



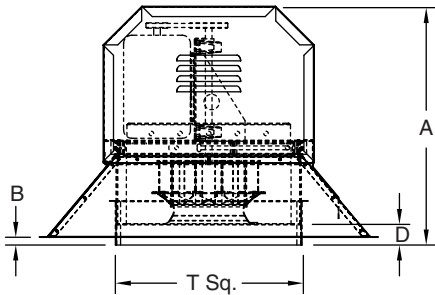
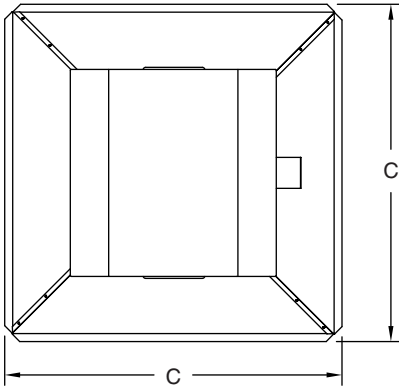
Loren Cook Company certifies that the SRSB-D shown herein are licensed to bear the AMCA Seal. The ratings shown are based on tests and procedures performed in accordance with AMCA Publication 211 and comply with the requirements of the AMCA Certified Ratings Program.



Type SRSB-D is furnished standard with UL 705 and UL 705 listings (Power Ventilator/ZACT).

SRSH-B Specifications and Dimension Data

Tamper Proof Downblast Centrifugal Exhaust Ventilator Roof Mounted/Belt Drive



Description: Fan shall be a galvanized steel, tamper proof, roof mounted, belt driven, downblast centrifugal exhaust ventilator.

Certifications: Fan shall be manufactured at an ISO 9001 certified facility. Fan shall be listed by Underwriters Laboratories (UL 705) and UL listed for Canada (cUL 705). Fan shall bear the AMCA Certified Ratings Seal for Air Performance.

Construction: The fan shall be of bolted, riveted and welded construction utilizing corrosion resistant fasteners. The discharge skirt shall be 16 gauge galvanized steel construction fastened with stainless steel rivets. An 18 gauge galvanized steel hood shall have a stainless steel .25" diameter full length hinge to provide secure access into the motor compartment. The hood shall have two .125" gauge x 1.25" wide restraining bars to hold the hood in the open locked position when servicing. A heavy-duty .125" thick stainless steel locking hasp shall provide complete security with the use of a standard padlock concealed under the skirt. An integral conduit chase shall be provided through the curb cap and into the motor compartment to facilitate wiring connections. The motor, bearings and drives shall be mounted on a 14 gauge steel power assembly, isolated from the unit structure with rubber vibration isolators. The complete power assembly, motor and wheel assembly can be removed for servicing without disassembling the hood or skirt assemblies. Lifting lugs shall be provided to help prevent damage from improper lifting. Unit shall bear an engraved aluminum nameplate and shall be shipped in ISTA Certified Transit Tested Packaging.

Wheel: Wheel shall be centrifugal backward inclined, constructed of 100 percent aluminum, including a precision machined cast aluminum hub. Wheel inlet shall overlap an aerodynamic galvanized steel inlet cone to provide maximum performance and efficiency. Wheel shall be balanced in accordance with AMCA Standard 204-96, Balance Quality and Vibration Levels for Fans.

Motor: Motor shall be heavy duty type with permanently lubricated sealed ball bearings and furnished at the specified voltage, phase and enclosure.

Bearings: Bearings shall be designed and individually tested specifically for use in air handling applications. Construction shall be heavy-duty regreasable ball type in a cast iron pillow block housing selected for a minimum L50 life in excess of 200,000 hours at maximum cataloged operating speed.

Belts & Drives: Belts shall be oil and heat resistant, non-static type. Drives shall be precision machined cast iron type, keyed and securely attached to the wheel and motor shafts. Drives shall be sized for 150 percent of the installed motor horsepower. The variable pitch motor drive must be factory set to the specified fan RPM.

Product: Fan shall be model SRSH-B as manufactured by Loren Cook Company of Springfield, Missouri.

SRSH-B Dimension Data

Size	A	B	C	D	T Sq.	Roof Opening Square*	Approx. Ship Wt.-Lbs Less Motor
60	23-7/16	1	29-1/4	2	18	13-1/2	133
70	23-7/16	1	29-1/4	2	18	13-1/2	133
80	23-7/16	1	29-1/4	2	18	13-1/2	133
100	23-7/16	1	29-1/4	2	18	13-1/2	133
120	24-11/16	1	32-11/16	2	20	15-1/2	150
135	26-1/4	1	33-3/4	2	20	15-1/2	154
150	29-17/32	1	38-13/16	2	24	19-1/2	190
165	30-15/32	1	39-15/16	2	24	19-1/2	195
180	36-7/16	1-1/2	47-9/16	3	30	25-1/2	264
195	37-11/16	1-1/2	48-11/16	3	30	25-1/2	270
210	38-9/32	1-1/2	49-3/4	3	30	25-1/2	277
225	39-7/32	1-1/2	50-13/16	3	30	25-1/2	287
245	40-15/32	1-1/2	52-1/4	3	30	25-1/2	297
270	46	1-1/2	60	3	36	31-1/2	378

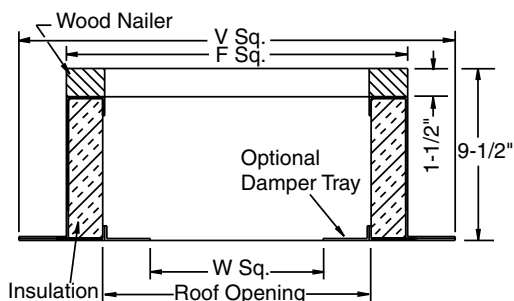
All dimensions in inches. *Roof opening size for curbs supplied by Loren Cook Company only.



Loren Cook Company certifies that the SRSH-B shown herein are licensed to bear the AMCA Seal. The ratings shown are based on tests and procedures performed in accordance with AMCA Publication 211 and comply with the requirements of the AMCA Certified Ratings Program.



Type SRSH-B is furnished standard with UL 705 and cUL 705 listings (Power Ventilator/ZACT) when furnished with factory supplied motor.



Standard Construction Features

- 18 gauge galvanized steel (RCG) or .080 aluminum (RCA).
- 1-1/2", 3 lbs. density thermal and acoustical insulation.
- Continuously welded corners.
- Wood nailer.

Options

- Damper tray.
- No wood nailer (deduct 1-1/2" from height).
- 13-1/2" tall construction.
- 3" cant (add 4" to V Sq. dimension).

Curb Dimension Data

SRS Unit Size	Catalog Number		F Sq.	V Sq.	W Sq.	Roof Opening	Approx. Ship Wt.-Lbs.	
	Galvanized	Aluminum					RCG	RCA
60, 65, 70, 75, 80, 85, 100	RCG-16	RCA-16	16-1/2	20-1/2	9-3/4	13-1/2	20	13
120, 135	RCG-18	RCA-18	18-1/2	22-1/2	11-3/4	15-1/2	22	15
150, 165	RCG-22	RCA-22	22-1/2	26-1/2	15-3/4	19-1/2	27	18
180, 195, 210, 225, 245	RCG-28	RCA-28	28-1/2	32-1/2	21-3/4	25-1/2	34	22
270	RCG-34	RCA-34	34-1/2	38-1/2	27-3/4	31-1/2	41	27

All dimensions in inches. When motor operated damper is used, a wood nailer is required. Sound curbs available for most sizes. Contact factory for dimensions.

Typical Disconnect Switches



NEMA 1



**NEMA 1
(Lockable)**



NEMA 3R



NEMA 4

NEMA 1 - Indoor general purpose.

NEMA 1 (Lockable) - Indoor general purpose with locking capability.

NEMA 1 (Heavy Duty, Lockable) - Indoor heavy duty visible blade.

NEMA 3R - Exterior mount, rain-tight.

NEMA 4 - Water-tight and dust-tight.

NEMA 7 and NEMA 9 - Lockable, indoor, explosion proof.



**NEMA 1
(Heavy Duty)**



**NEMA 7
NEMA 9**

Motors

Direct Drive

Two speed, single phase open motors may be supplied as follows:

- 1725 RPM motors as 1725/1140, 1140 RPM motors as 1140/860
- Explosion proof motors are available for some units.
- A Fan Speed Control (FSC) may be used on shaded pole and permanent split capacitor, 115V or 230V, single phase motors only. FSC cannot be used on any 1725 or 1140 RPM motors, explosion proof units or belt drive units.

Belt Drive

- Single phase motors are available from 1/6 to 1-1/2 HP.
- Three phase ODP motors are available from 1/4 to 7-1/2 HP.
- Two speed, single phase motors are available in 1725/1140 RPM, from 1/6 to 1 HP.
- Two speed, three phase motors are available in 1725/1140 RPM with two windings, from 1/3 to 5 HP.
- All standard motors, 3 HP and larger are shipped loose for field mounting.
- Two speed, explosion proof or TEFC motors 1-1/2 HP and larger are shipped loose for field mounting.
- TEFC and Class 1, Group D, explosion proof motors are available in single phase from 1/4 to 1 HP; in three phase from 1/4 to 7-1/2 HP; for all units in three phase; and up to 3/4 HP in single phase.

SRSH Accessories Continued

Typical Disconnect Switches Continued



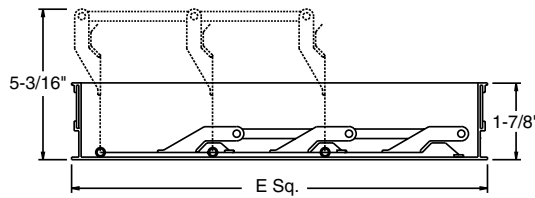
5 AMP FSC



10 AMP FSC

Cook's FSC is a variable speed controller which allows operation of SRSH units from 100 percent of capacity down to approximately 50 percent. The FSC can offer excellent energy conservation and sound benefits when 100 percent operation is not required. The FSC employs solid state circuitry for long-life and dependability. The FSC is available only on 115V and 230V shaded pole or permanent split capacitor motors and is not available on 1140 RPM and 1725 RPM motors. The FSC is normally shipped loose for field installation. Optional pre-wiring available.

Gravity Backdraft Damper

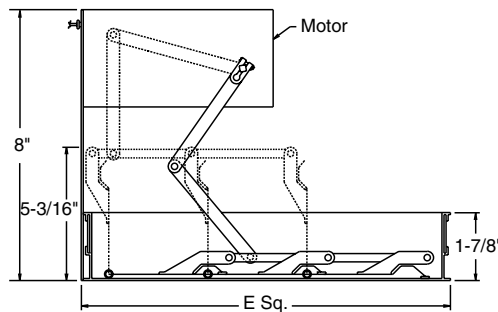


Gravity dampers feature an extruded aluminum frame, aluminum blades and aluminum hinge pins with brass bushings.

SRSH-D & SRSH-B Units	Catalog Number	E Sq.	Approx. Ship Wt.-
60, 65, 70, 75, 80, 85, 100	BD-12	11-3/4	2
120, 135	BD-14	13-3/4	2
150, 165	BD-18	17-3/4	3
180, 195, 210, 225, 245	BD-24	23-3/4	5
270	BD-30	29-3/4	6

All dimensions in inches. When motor operated damper is used, a wood nailer is required. Sound curbs available for most sizes. Contact factory for dimensions.

Motorized Backdraft Damper



Motorized dampers feature an extruded aluminum frame, aluminum blades and aluminum hinge pins with brass bushings. Motors are shipped loose for field installation. Available voltages include 110V, 220V, and 440V.

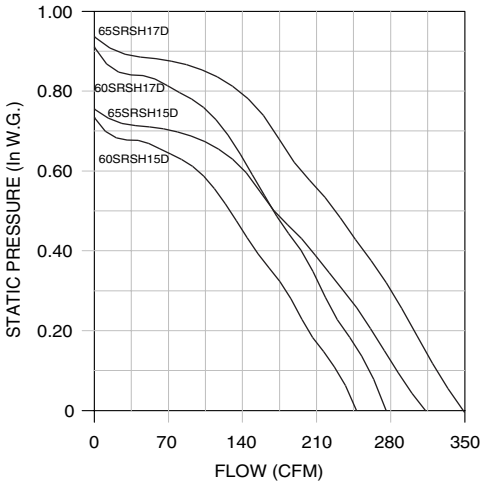
SRSH-D & SRSH-B Units	Catalog Number	E Sq.	Approx. Ship Wt.-
60, 65, 70, 75, 80, 85, 100	BDM-12	11-3/4	4
120, 135	BDM-14	13-3/4	4
150, 165	BDM-18	17-3/4	5
180, 195, 210, 225, 245	BDM-24	23-3/4	7
270	BDM-30	29-3/4	8

All dimensions in inches. When motor operated damper is used, a wood nailer is required. Sound curbs available for most sizes. Contact factory for dimensions.

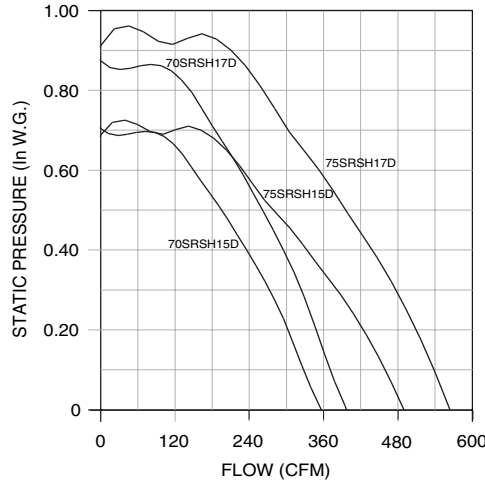
Catalog Number	Motor HP	Fan RPM	Tip Speed	Max. BHP	CFM at Static Pressure										
					0 SP	1/8 SP	1/4 SP	3/8 SP	1/2 SP	5/8 SP	3/4 SP	7/8 SP	1 SP	1-1/4 SP	1-1/2SP
60SRSH15D	1/8	1550	4058	.06	247	223	192	160	129	87					
60SRSH17D*	1/6	1725	4516	.09	275	254	225	202	169	142	107				
65SRSH15D	1/8	1550	4058	.06	313	280	251	214	171	134					
65SRSH17D*	1/6	1725	4516	.08	349	318	292	262	228	188	157	77			
70SRSH15D	1/8	1550	4058	.07	358	322	291	247	199	141					
70SRSH17D*	1/6	1725	4516	.10	398	366	338	305	262	219	166				
75SRSH15D	1/8	1550	4058	.07	508	471	427	371	311	247	170				
75SRSH17D*	1/6	1725	4516	.10	566	533	496	451	398	343	284	229			
80SRSH15D	1/8	1550	4058	.08	598	541	501	453	385	307	214				
80SRSH17D*	1/6	1725	4516	.11	665	611	574	537	489	425	354	283			
85SRSH15D	1/8	1550	4058	.11	735	684	624	570	514	447					
85SRSH17D*	1/6	1725	4516	.15	818	773	721	668	622	569	509	430			
100SRSH15D	1/8	1550	4058	.12	867	809	755	697	632	568					
100SRSH17D*	1/6	1725	4516	.16	965	912	863	815	759	701	645				
120SRSH10D	1/6	1075	3377	.09	1001	904	808	698							
120SRSH17D*	1/3	1725	5419	.38	1607	1544	1483	1426	1369	1307	1236	1167	1103		
135SRSH10D	1/6	1075	3799	.18	1525	1415	1303	1200	1100						
135SRSH17D*	3/4	1725	6097	.75	2447	2378	2310	2241	2171	2101	2033	1969	1909	1786	1572
150SRSH10D	1/3	1075	4222	.37	2092	1970	1845	1723	1614	1499					
150SRSH17D*	1-1/2	1725	6774	1.26	3357	3281	3205	3128	3051	2973	2894	2818	2744	2609	2475
165SRSH10D	1/2	1075	4644	.54	3395	3241	3089	2939	2776	2573	2318	1764			
165SRSH17D*	2	1725	7451	2.22	5447	5352	5256	5161	5066	4971	4878	4784	4689	4488	4251
180SRSH11D	1	1140	5372	.99	4674	4516	4358	4202	4047	3884	3695	3464	3196	1637	
180SRSH17D*	3	1725	8129	3.4	7073	6968	6863	6759	6655	6551	6448	6346	6244	6036	5813

Performance shown is for Installation Type A: free inlet, free outlet. Power rating (BHP) does not include drive losses. Performance ratings do not include the effects of appurtenances in the airstream. These fans cannot be used with FSC speed controllers.

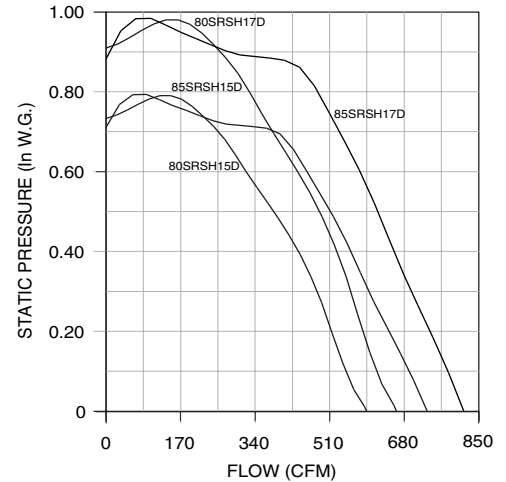
60-65 SRSH-D



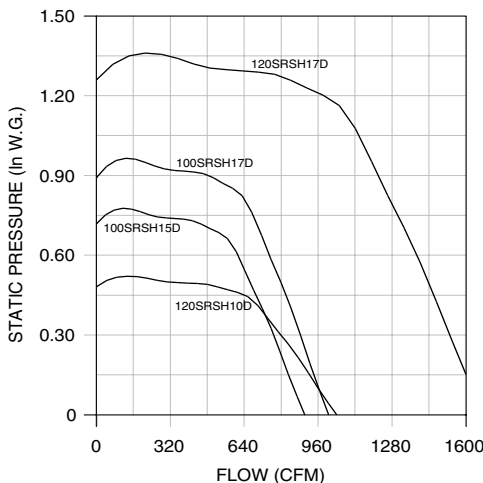
70-75 SRSH-D



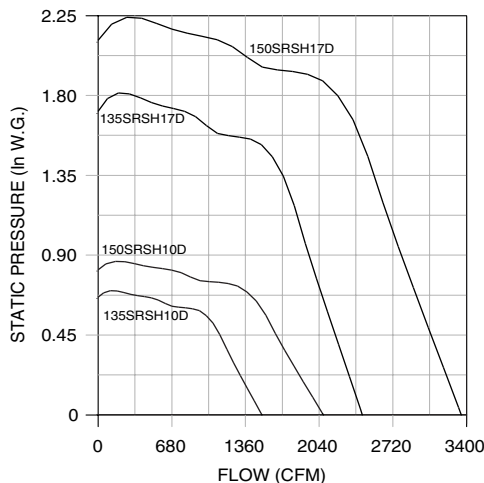
80-85 SRSH-D



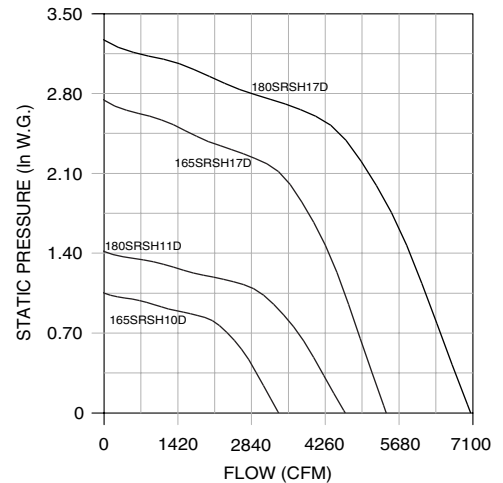
100-120 SRSH-D



135-150 SRSH-D



165-180 SRSH-D

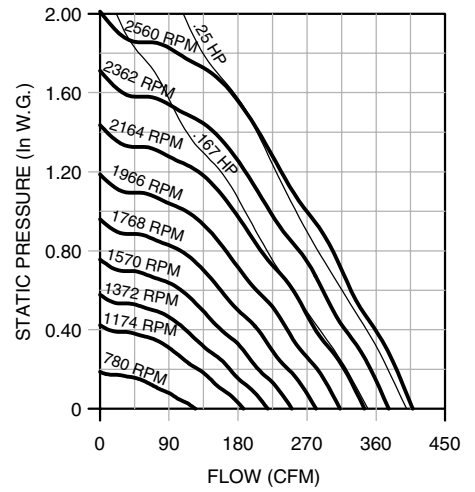
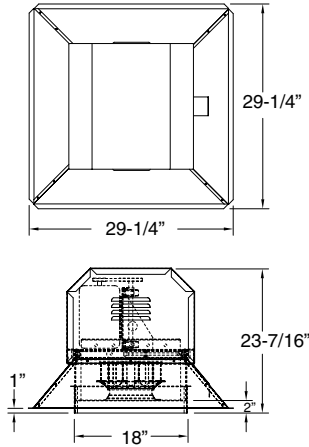


Data **SRSB 60 - 80**

60 SRSB-B

Unit Data

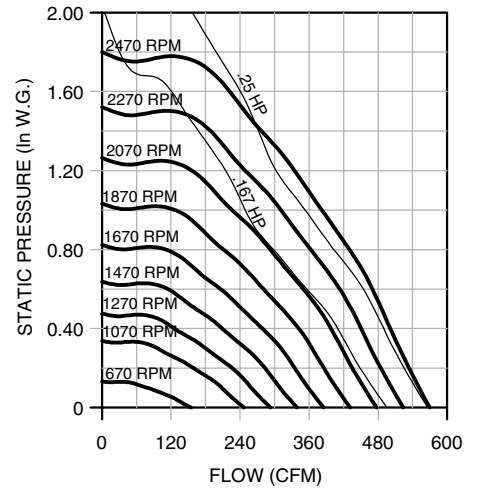
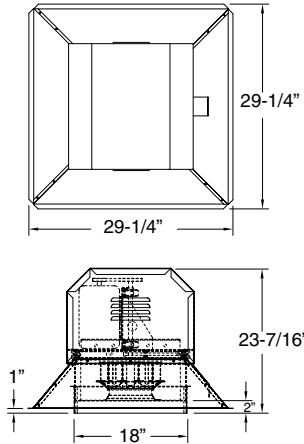
Wheel Diameter - 10"
 Tip Speed (FPM) - 2.6 x RPM
 Maximum RPM - 2060
 Maximum BHP - $.017 \times (\text{RPM}/1000)^3$
 Maximum Motor Frame - 48
 Shipping Weight (Less Motor) - 133 lbs.
 Curb - RCG, RCA - 16
 Roof Opening - 13-1/2" Sq.
 Material Gauges: Hood - 18 ga.
 Skirt - 16 ga.
 Base - 16 ga.



70 SRSB-B

Unit Data

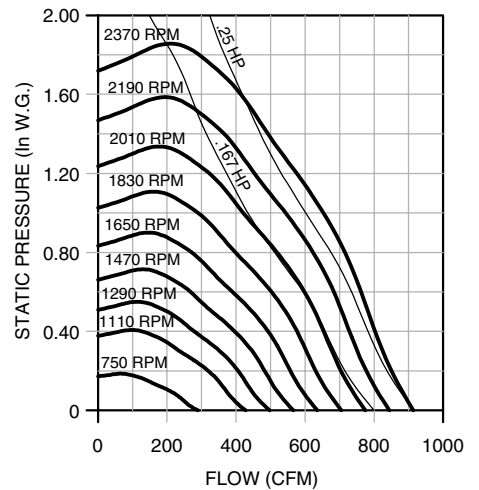
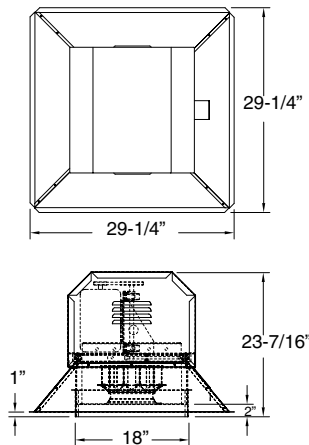
Wheel Diameter - 10"
 Tip Speed (FPM) - 2.6 x RPM
 Maximum RPM - 2010
 Maximum BHP - $.018 \times (\text{RPM}/1000)^3$
 Maximum Motor Frame - 48
 Shipping Weight (Less Motor) - 133 lbs.
 Curb - RCG, RCA - 16
 Roof Opening - 13-1/2" Sq.
 Material Gauges: Hood - 18 ga.
 Skirt - 16 ga.
 Base - 16 ga.



80 SRSB-B

Unit Data

Wheel Diameter - 10"
 Tip Speed (FPM) - 2.6 x RPM
 Maximum RPM - 1860
 Maximum BHP - $.020 \times (\text{RPM}/1000)^3$
 Maximum Motor Frame - 48
 Shipping Weight (Less Motor) - 133 lbs.
 Curb - RCG, RCA - 16
 Roof Opening - 13-1/2" Sq.
 Material Gauges: Hood - 18 ga.
 Skirt - 16 ga.
 Base - 16 ga.



60 SRSH-B

Catalog Number	Motor HP	Fan RPM	Tip Speed	Max. BHP	CFM at Static Pressure										
					0 SP	1/8 SP	1/4 SP	3/8 SP	1/2 SP	5/8 SP	3/4 SP	7/8 SP	1 SP	1-1/4 SP	1-1/2SP
60SRSH-B	1/6	780	1820	.01	124	66									
		960	2340	.01	153	109	41								
		1160	2860	.02	185	148	106								
		1360	3380	.04	217	187	155	116	60						
		1560	3900	.06	249	225	194	163	131	92					
		1760	4420	.09	280	261	232	209	178	150	120				
		1960	4940	.13	312	295	271	247	227	197	172	147	109		
	2160	5460	.17	344	328	310	285	266	247	219	196	174	102		
	1/4	2360	5980	.22	376	362	346	324	303	287	269	243	221	180	107
		2560	6500	.28	408	395	381	363	341	324	310	293	269	229	191

Performance shown is for Installation Type A: free inlet, free outlet. Power rating (BHP) does not include drive losses. Performance ratings do not include the effects of appurtenances in the airstream.

70 SRSH-B

Catalog Number	Motor HP	Fan RPM	Tip Speed	Max. BHP	CFM at Static Pressure										
					0 SP	1/8 SP	1/4 SP	3/8 SP	1/2 SP	5/8 SP	3/4 SP	7/8 SP	1 SP	1-1/4 SP	1-1/2SP
70SRSH-B	1/6	670	2600	.005	155	52									
		870	2990	.012	201	134									
		1070	3380	.022	247	199	129								
		1270	3770	.038	293	252	203	140							
		1470	4160	.058	339	303	268	219	163	90					
		1670	4550	.086	385	352	324	288	243	195	142				
		1870	4940	.120	431	402	375	349	313	273	232	183	127		
	2070	5330	.164	477	451	426	403	377	343	307	271	226			
	1/4	2270	5720	.217	524	499	476	455	433	408	376	343	311	233	124
		2470	6110	.279	570	547	525	505	486	466	442	413	382	322	248

Performance shown is for Installation Type A: free inlet, free outlet. Power rating (BHP) does not include drive losses. Performance ratings do not include the effects of appurtenances in the airstream.

80 SRSH-B

Catalog Number	Motor HP	Fan RPM	Tip Speed	Max. BHP	CFM at Static Pressure										
					0 SP	1/8 SP	1/4 SP	3/8 SP	1/2 SP	5/8 SP	3/4 SP	7/8 SP	1 SP	1-1/4 SP	1-1/2SP
80SRSH-B	1/6	750	1820	.009	289	176									
		930	2340	.017	358	279	158								
		1110	2860	.029	428	360	281	166							
		1290	3380	.045	497	435	383	298	201						
		1470	3900	.067	566	508	466	410	331	250					
		1650	4420	.095	636	582	543	503	447	374	304	201			
		1830	4940	.129	705	655	617	584	544	491	426	360	289		
	2010	5460	.171	775	728	691	660	629	590	541	483	421	285		
	1/4	2190	5980	.221	844	800	764	735	707	677	640	595	543	433	299
		2370	6205	.280	913	872	837	808	783	757	728	694	653	555	455

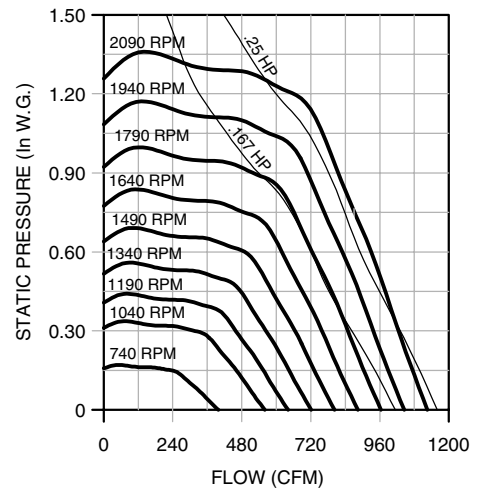
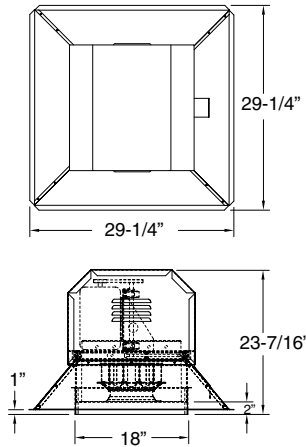
Performance shown is for Installation Type A: free inlet, free outlet. Power rating (BHP) does not include drive losses. Performance ratings do not include the effects of appurtenances in the airstream.

100 - 135 SRSH-B Data

100 SRSH-B

Unit Data

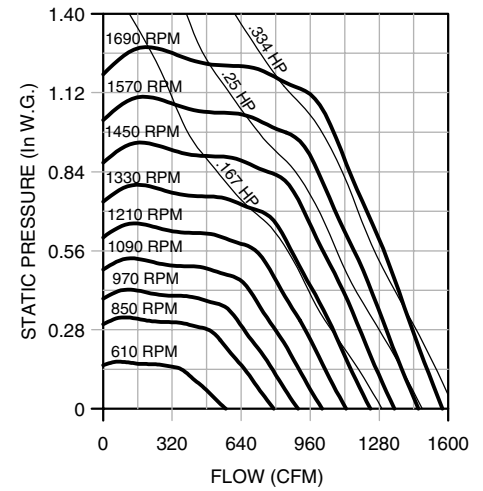
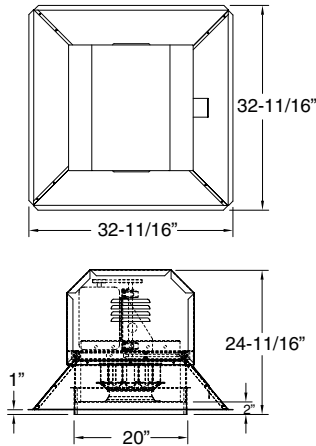
Wheel Diameter - 10"
 Tip Speed (FPM) - $2.6 \times \text{RPM}$
 Maximum RPM - 1860
 Maximum BHP - $.029 \times (\text{RPM}/1000)^3$
 Maximum Motor Frame - 48
 Shipping Weight (Less Motor) - 133 lbs.
 Curb - RCG, RCA - 16
 Roof Opening - $13\text{-}1/2"$ Sq.
 Material Gauges: Hood - 18 ga.
 Skirt - 16 ga.
 Base - 16 ga.



120 SRSH-B

Unit Data

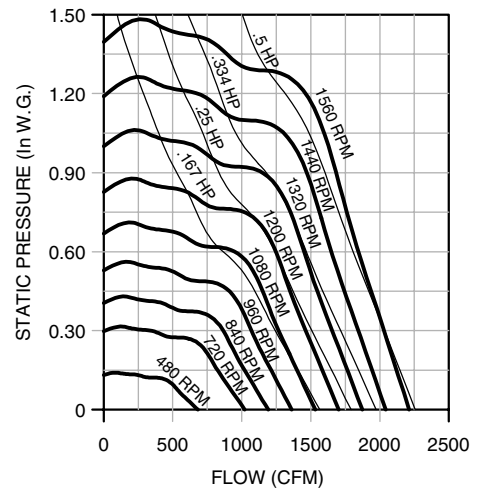
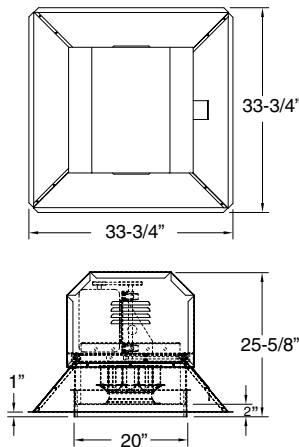
Wheel Diameter - 12"
 Tip Speed (FPM) - $3.1 \times \text{RPM}$
 Maximum RPM - 2060
 Maximum BHP - $.075 \times (\text{RPM}/1000)^3$
 Maximum Motor Frame - 48
 Shipping Weight (Less Motor) - 30 lbs.
 Curb - RCG, RCA - 18
 Roof Opening - $15\text{-}1/2"$ Sq.
 Material Gauges: Hood - 18 ga.
 Skirt - 16 ga.
 Base - 16 ga.



135 SRSH-B

Unit Data

Wheel Diameter - 13.5"
 Tip Speed (FPM) - $3.5 \times \text{RPM}$
 Maximum RPM - 2010
 Maximum BHP - $.145 \times (\text{RPM}/1000)^3$
 Maximum Motor Frame - 48
 Shipping Weight (Less Motor) - 30 lbs.
 Curb - RCG, RCA - 18
 Roof Opening - $15\text{-}1/2"$ Sq.
 Material Gauges: Hood - 18 ga.
 Skirt - 16 ga.
 Base - 16 ga.



100 SRSH-B

Catalog Number	Motor HP	Fan RPM	Tip Speed	Max. BHP	CFM at Static Pressure										
					0 SP	1/8 SP	1/4 SP	3/8 SP	1/2 SP	5/8 SP	3/4 SP	7/8 SP	1 SP	1-1/4 SP	1-1/2SP
100SRSH-B	1/6	740	1560	.012	399	277									
		890	1950	.021	479	382									
		1040	2340	.033	560	478	386								
		1190	2730	.051	641	569	492	404							
		1340	3120	.072	722	657	594	520	401						
		1490	3510	.098	803	743	688	626	560	428					
		1640	4030	.131	883	829	779	727	666	608	487				
	1790	4290	.171	964	914	867	822	770	713	661	576				
	1940	4680	.219	1045	999	955	913	869	819	767	719	655			
	2090	5070	.272	1126	1083	1041	1002	963	921	873	824	780	566		

Performance shown is for Installation Type A: free inlet, free outlet. Power rating (BHP) does not include drive losses. Performance ratings do not include the effects of appurtenances in the airstream.

120 SRSH-B

Catalog Number	Motor HP	Fan RPM	Tip Speed	Max. BHP	CFM at Static Pressure										
					0 SP	1/8 SP	1/4 SP	3/8 SP	1/2 SP	5/8 SP	3/4 SP	7/8 SP	1 SP	1-1/4 SP	1-1/2SP
120SRSH-B	1/6	610	1550	.02	568	390									
		730	1922	.03	680	536									
		850	2294	.05	792	671	535								
		970	2666	.07	903	797	682	517							
		1090	3038	.10	1015	919	825	717	467						
		1210	3410	.13	1127	1039	958	862	767	367					
		1330	3782	.17	1239	1158	1084	1005	913	828	532				
	1/4	1450	4154	.23	1350	1276	1207	1138	1059	977	898	656			
		1570	4526	.29	1462	1393	1328	1266	1199	1122	1048	975	779		
		1690	4898	.36	1574	1510	1448	1390	1331	1266	1193	1125	1058		

Performance shown is for Installation Type A: free inlet, free outlet. Power rating (BHP) does not include drive losses. Performance ratings do not include the effects of appurtenances in the airstream.

135 SRSH-B

Catalog Number	Motor HP	Fan RPM	Tip Speed	Max. BHP	CFM at Static Pressure										
					0 SP	1/8 SP	1/4 SP	3/8 SP	1/2 SP	5/8 SP	3/4 SP	7/8 SP	1 SP	1-1/4 SP	1-1/2SP
135SRSH-B	1/6	480	1750	.01	681										
		600	2100	.03	851	658									
		720	2450	.05	1021	855	690								
		840	2800	.08	1192	1049	917								
		960	3150	.13	1362	1238	1114	1006							
		1080	3500	.18	1532	1422	1311	1207	1109						
	1/4	1200	3850	.25	1702	1604	1503	1405	1317	1226	1018				
	1/3	1320	4200	.34	1873	1783	1692	1601	1514	1436	1353	1209			
	1/2	1440	4550	.44	2043	1961	1878	1794	1711	1634	1563	1488	1379		
		1560	4900	.55	2213	2137	2061	1984	1906	1831	1761	1696	1629	1374	

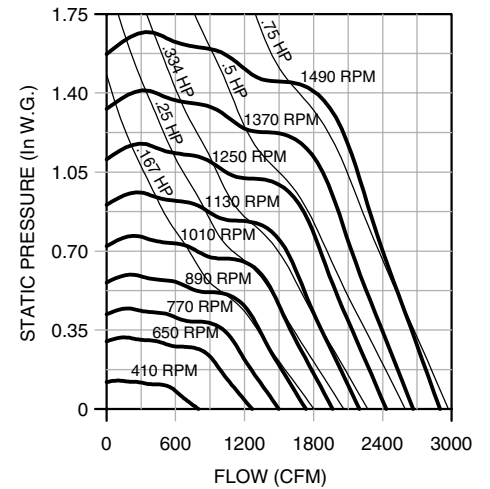
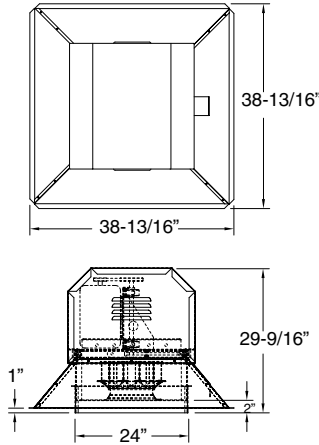
Performance shown is for Installation Type A: free inlet, free outlet. Power rating (BHP) does not include drive losses. Performance ratings do not include the effects of appurtenances in the airstream.

150 - 180 SRSH-B Data

150 SRSH-B

Unit Data

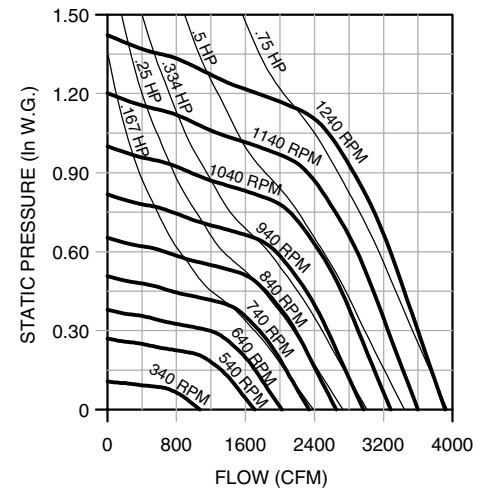
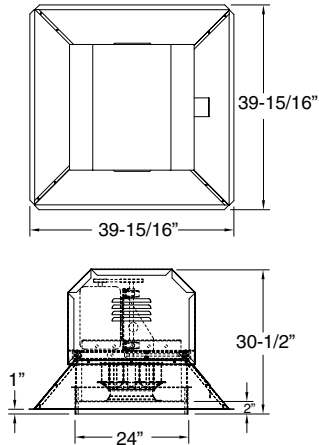
Wheel Diameter - 15"
 Tip Speed (FPM) - 3.7 x RPM
 Maximum RPM - 1860
 Maximum BHP - $.245 \times (\text{RPM}/1000)^3$
 Maximum Motor Frame - 48
 Shipping Weight (Less Motor) - 30 lbs.
 Curb - RCG, RCA - 22
 Roof Opening - 19-1/2" Sq.
 Material Gauges: Hood - 18 ga.
 Skirt - 16 ga.
 Base - 16 ga.



165 SRSH-B

Unit Data

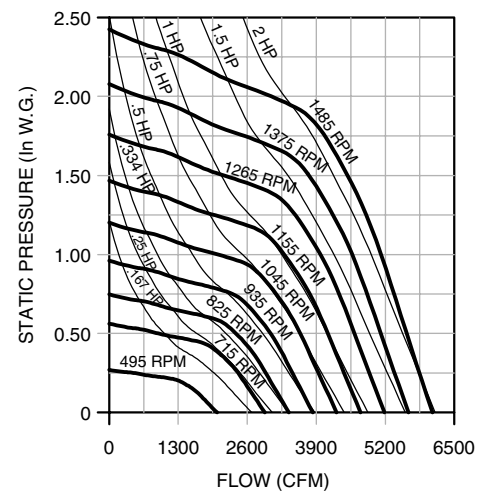
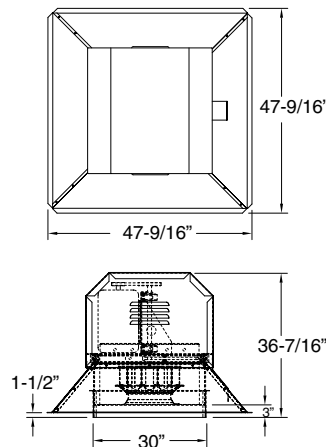
Wheel Diameter - 16"
 Tip Speed (FPM) - 4.3 x RPM
 Maximum RPM - 1860
 Maximum BHP - $.433 \times (\text{RPM}/1000)^3$
 Maximum Motor Frame - 48
 Shipping Weight (Less Motor) - 30 lbs.
 Curb - RCG, RCA - 22
 Roof Opening - 19-1/2" Sq.
 Material Gauges: Hood - 18 ga.
 Skirt - 16 ga.
 Base - 16 ga.



180 SRSH-B

Unit Data

Wheel Diameter - 18"
 Tip Speed (FPM) - 4.7 x RPM
 Maximum RPM - 2060
 Maximum BHP - $.668 \times (\text{RPM}/1000)^3$
 Maximum Motor Frame - 48
 Shipping Weight (Less Motor) - 30 lbs.
 Curb - RCG, RCA - 22
 Roof Opening - 25-1/2" Sq.
 Material Gauges: Hood - 18 ga.
 Skirt - 16 ga.
 Base - 16 ga.



150 SRSB-B

Catalog Number	Motor HP	Fan RPM	Tip Speed	Max. BHP	CFM at Static Pressure										
					0 SP	1/8 SP	1/4 SP	3/8 SP	1/2 SP	5/8 SP	3/4 SP	7/8 SP	1 SP	1-1/4 SP	1-1/2 SP
150SRSB-B	1/6	410	1950	.01	798										
		530	2340	.04	1031	790									
		650	2730	.07	1265	1061	858								
		770	3120	.11	1498	1326	1164	935							
		890	3510	.17	1732	1584	1434	1303	1085						
	1/4	1010	3900	.25	1965	1835	1702	1576	1463	1289					
	1/3	1130	4290	.36	2199	2083	1965	1846	1738	1638	1501				
	1/2	1250	4680	.48	2433	2327	2221	2114	2009	1913	1823	1713	1476		
	3/4	1370	5070	.63	2666	2570	2474	2376	2278	2184	2097	2015	1924		
		1490	5460	.82	2900	2812	2723	2634	2543	2453	2368	2288	2213	2036	

Performance shown is for Installation Type A: free inlet, free outlet. Power rating (BHP) does not include drive losses. Performance ratings do not include the effects of appurtenances in the airstream.

165 SRSB-B

Catalog Number	Motor HP	Fan RPM	Tip Speed	Max. BHP	CFM at Static Pressure										
					0 SP	1/8 SP	1/4 SP	3/8 SP	1/2 SP	5/8 SP	3/4 SP	7/8 SP	1 SP	1-1/4 SP	1-1/2 SP
165SRSB-B	1/6	340	1290	.02	1074										
		440	1720	.04	1390	952									
		540	2150	.07	1706	1398									
		640	2580	.11	2021	1766	1437								
		740	3010	.17	2337	2115	1884	1524							
	1/4	840	3440	.26	2653	2457	2263	2027	1661						
	1/3	940	3870	.36	2969	2793	2621	2440	2202	1863					
	1/2	1040	4300	.49	3285	3126	2969	2813	2638	2410	2114				
	3/4	1140	4730	.64	3601	3455	3312	3170	3024	2856	2643	2386			
		1240	5160	.83	3916	3783	3650	3519	3389	3251	3092	2896	2669		

Performance shown is for Installation Type A: free inlet, free outlet. Power rating (BHP) does not include drive losses. Performance ratings do not include the effects of appurtenances in the airstream.

180 SRSB-B

Catalog Number	Motor HP	Fan RPM	Tip Speed	Max. BHP	CFM at Static Pressure										
					0 SP	1/8 SP	1/4 SP	3/8 SP	1/2 SP	5/8 SP	3/4 SP	7/8 SP	1 SP	1-1/4 SP	1-1/2 SP
180SRSB-B	1/6	495	1880	.08	2030	1663									
		605	2350	.15	2481	2185	1825								
	1/4	715	2825	.24	2932	2680	2427	2070							
	1/3	825	3290	.37	3383	3164	2950	2714	2386						
	1/2	935	3760	.55	3834	3641	3450	3259	3040	2749	2325				
	3/4	1045	4230	.76	4285	4112	3940	3771	3597	3397	3143	2836			
	1	1155	4700	1.03	4736	4579	4424	4270	4117	3957	3776	3556	3297		
	1-1/2	1265	5170	1.35	5187	5044	4901	4760	4621	4480	4334	4171	3980	3506	
	2	1375	5640	1.74	5638	5506	5375	5245	5116	4987	4858	4723	4577	4217	3763
		1485	6110	2.19	6089	5967	5845	5724	5604	5485	5366	5246	5122	4843	4489

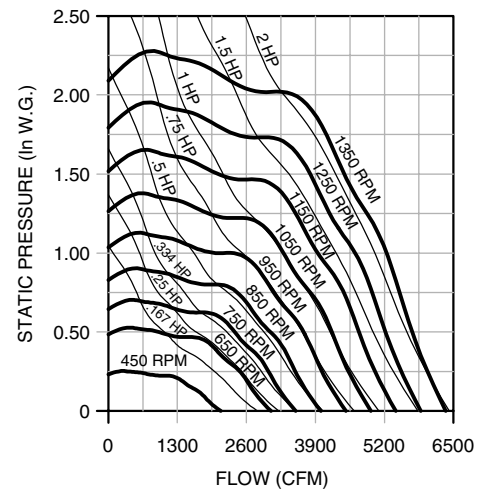
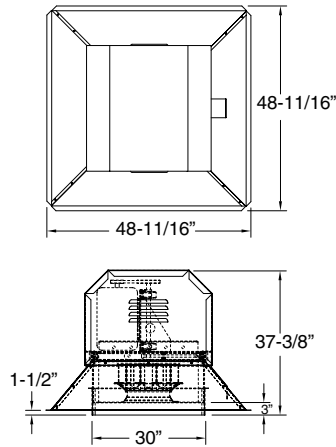
Performance shown is for Installation Type A: free inlet, free outlet. Power rating (BHP) does not include drive losses. Performance ratings do not include the effects of appurtenances in the airstream.

195 - 225 SRSH-B Data

195 SRSH-B

Unit Data

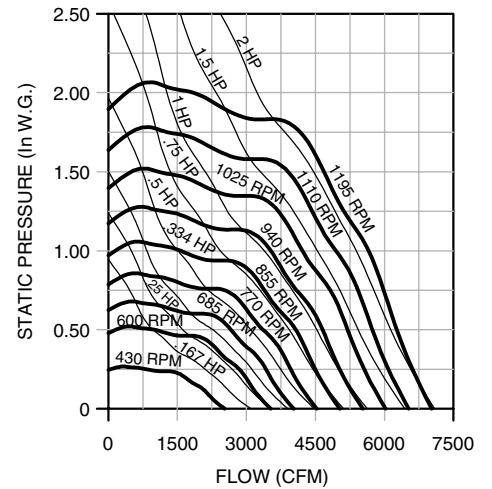
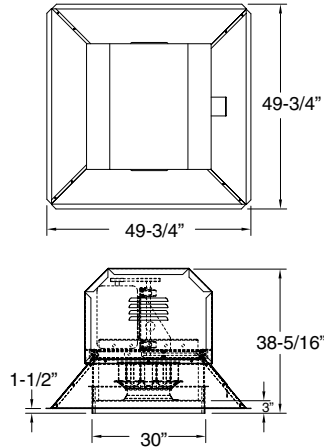
Wheel Diameter - 19.5"
 Tip Speed (FPM) - 5.1 x RPM
 Maximum RPM - 2010
 Maximum BHP - .886 x (RPM/1000)³
 Maximum Motor Frame - 48
 Shipping Weight (Less Motor) - 30 lbs.
 Curb - RCG, RCA - 22
 Roof Opening - 25-1/2" Sq.
 Material Gauges: Hood - 18 ga.
 Skirt - 16 ga.
 Base - 16 ga.



210 SRSH-B

Unit Data

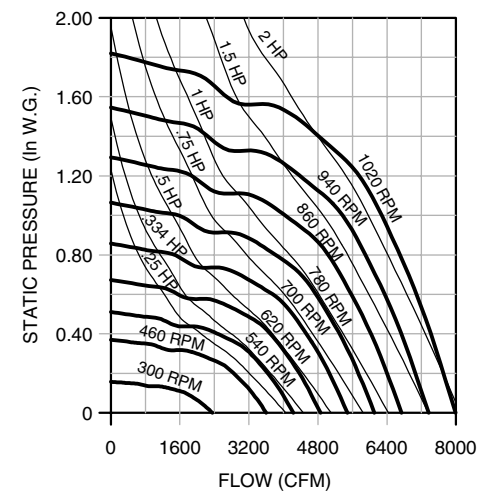
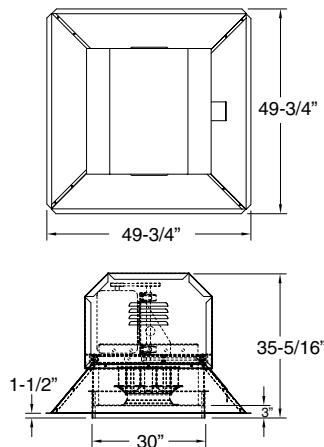
Wheel Diameter - 21"
 Tip Speed (FPM) - 5.5 x RPM
 Maximum RPM - 1860
 Maximum BHP - 1.283 x (RPM/1000)³
 Maximum Motor Frame - 48
 Shipping Weight (Less Motor) - 30 lbs.
 Curb - RCG, RCA - 22
 Roof Opening - 25-1/2" Sq.
 Material Gauges: Hood - 18 ga.
 Skirt - 16 ga.
 Base - 16 ga.



225 SRSH-B

Unit Data

Wheel Diameter - 22.5"
 Tip Speed (FPM) - 5.4 x RPM
 Maximum RPM - 1860
 Maximum BHP - 2.055 x (RPM/1000)³
 Maximum Motor Frame - 48
 Shipping Weight (Less Motor) - 30 lbs.
 Curb - RCG, RCA - 22
 Roof Opening - 25-1/2" Sq.
 Material Gauges: Hood - 18 ga.
 Skirt - 16 ga.
 Base - 16 ga.



195 SRSH-B

Catalog Number	Motor HP	Fan RPM	Tip Speed	Max. BHP	CFM at Static Pressure											
					0 SP	1/8 SP	1/4 SP	3/8 SP	1/2 SP	5/8 SP	3/4 SP	7/8 SP	1 SP	1-1/4 SP	1-1/2SP	
195SRSH-B	1/6	450	2040	.08	2119	1695										
		550	2550	.15	2589	2233	1807									
	1/4	650	3060	.24	3060	2737	2478	2064								
	1/3	750	3570	.37	3531	3238	3016	2743	2379							
	1/2	850	4080	.54	4002	3735	3523	3336	3054	2733	2429					
	3/4	950	4590	.76	4473	4230	4025	3854	3681	3412	3113	2871	2305			
	1	1050	5100	1.03	4943	4722	4525	4359	4211	4048	3804	3516	3297			
	1-1/2	1150	5610	1.35	5414	5210	5023	4862	4719	4584	4433	4219	3945	3530		
	2	1250	6120	1.73	5885	5696	5520	5362	5222	5096	4970	4831	4648	4170	3802	
		1350	6630	2.18	6356	6181	6014	5862	5725	5600	5484	5368	5241	4872	4444	

Performance shown is for Installation Type A: free inlet, free outlet. Power rating (BHP) does not include drive losses. Performance ratings do not include the effects of appurtenances in the airstream.

210 SRSH-B

Catalog Number	Motor HP	Fan RPM	Tip Speed	Max. BHP	CFM at Static Pressure											
					0 SP	1/8 SP	1/4 SP	3/8 SP	1/2 SP	5/8 SP	3/4 SP	7/8 SP	1 SP	1-1/4 SP	1-1/2SP	
210SRSH-B	1/6	430	2200	.10	2528	2055										
		1/4	565	2640	.23	3322	2932	2563	2062							
	1/3	655	3080	.36	3851	3495	3228	2808	2406							
	1/2	745	3520	.53	4381	4056	3806	3561	6146	2806						
	3/4	835	3960	.75	4910	4615	4371	4167	3924	3534	3233	2798				
	1	925	4400	1.01	5439	5169	4935	4741	4556	4318	3960	3677	3390			
	1-1/2	1015	4840	1.34	5968	5720	5497	5306	5138	4966	4744	4417	4137	3585		
	2	1105	5280	1.73	6497	6268	6057	5870	5706	5554	5394	5194	4902	4390	3841	
		1195	5720	2.19	7027	6814	6614	6433	6271	6125	5985	5836	5655	5120	4686	

Performance shown is for Installation Type A: free inlet, free outlet. Power rating (BHP) does not include drive losses. Performance ratings do not include the effects of appurtenances in the airstream.

225 SRSH-B

Catalog Number	Motor HP	Fan RPM	Tip Speed	Max. BHP	CFM at Static Pressure											
					0 SP	1/8 SP	1/4 SP	3/8 SP	1/2 SP	5/8 SP	3/4 SP	7/8 SP	1 SP	1-1/4 SP	1-1/2SP	
225SRSH-B	1/4	300	1770	.05	2350	1348										
		380	2242	.11	2977	2419										
		460	2714	.20	3604	3185	2548									
	1/3	540	3186	.32	4231	3890	3447	2725								
	1/2	620	3658	.49	4857	4567	4222	3795	3080							
	3/4	700	4130	.70	5484	5229	4947	4605	4211	3572	1871					
	1	780	4602	.97	6111	5883	5641	5363	5038	4679	4150	3279				
	1-1/2	860	5074	1.31	6738	6532	6317	6082	5814	5512	5187	4759	4037			
	2	940	5546	1.71	7364	7176	6983	6778	6550	6295	6018	5722	5372	4087		
		1020	6018	2.18	7991	7818	7642	7458	7260	7043	6803	6547	6278	5570	4264	

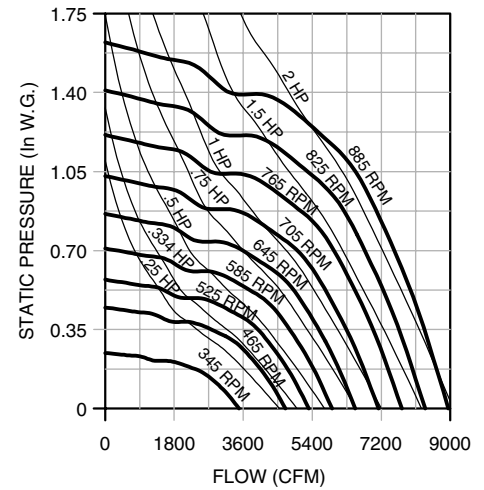
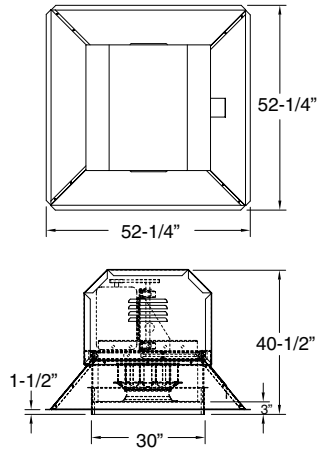
Performance shown is for Installation Type A: free inlet, free outlet. Power rating (BHP) does not include drive losses. Performance ratings do not include the effects of appurtenances in the airstream.

Data **SRSH-B 245 - 270**

245 SRSH-B

Unit Data

Wheel Diameter - 24.5"
 Tip Speed (FPM) - 6.4 x RPM
 Maximum RPM - 2060
 Maximum BHP - 3.14 x (RPM/1000)³
 Maximum Motor Frame - 48
 Shipping Weight (Less Motor) - 30 lbs.
 Curb - RCG, RCA - 22
 Roof Opening - 25-1/2" Sq.
 Material Gauges: Hood - 18 ga.
 Skirt - 16 ga.
 Base - 16 ga.



245 SRSH-B

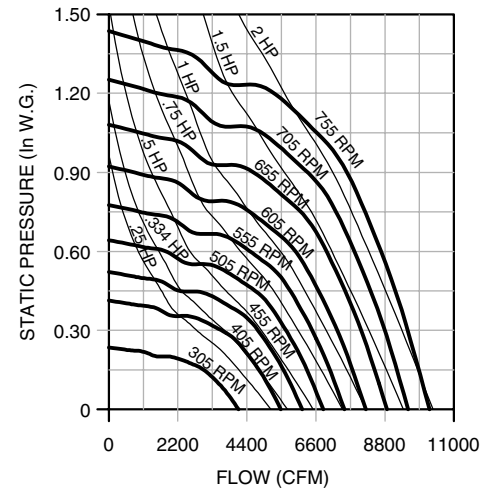
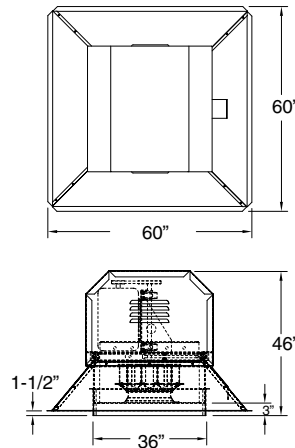
Catalog Number	Motor HP	Fan RPM	Tip Speed	Max. BHP	CFM at Static Pressure													
					0 SP	1/8 SP	1/4 SP	3/8 SP	1/2 SP	5/8 SP	3/4 SP	7/8 SP	1 SP	1-1/4 SP	1-1/2 SP			
245SRSH-B	1/4	345	1920	.13	3489	2815												
		405	2304	.21	4096	3568	2634											
	1/3	465	2688	.32	4703	4265	3674	2410										
	1/2	525	3072	.45	5310	4932	4458	3833	1805									
	3/4	585	3456	.63	5917	5582	5192	4709	4013	1966								
		645	3840	.84	6524	6222	5889	5485	5020	4277	2272							
	1	705	4224	1.10	7131	6856	6562	6221	5825	5380	4648	3470						
765		4608	1.41	7738	7485	7221	6927	6586	6209	5785	5104	4117						
2	825	4992	1.76	8344	8111	7870	7609	7315	6984	6628	6229	5623	2722					
	885	5376	2.18	8951	8734	8511	8276	8018	7729	7412	7077	6704	5387					

Performance shown is for Installation Type A: free inlet, free outlet. Power rating (BHP) does not include drive losses. Performance ratings do not include the effects of appurtenances in the airstream.

270 SRSH-B

Unit Data

Wheel Diameter - 27"
 Tip Speed (FPM) - 7.7 x RPM
 Maximum RPM - 2010
 Maximum BHP - 5.11 x (RPM/1000)³
 Maximum Motor Frame - 48
 Shipping Weight (Less Motor) - 30 lbs.
 Curb - RCG, RCA - 34
 Roof Opening - 31-1/2" Sq.
 Material Gauges: Hood - 18 ga.
 Skirt - 16 ga.
 Base - 16 ga.



270 SRSH-B

Catalog Number	Motor HP	Fan RPM	Tip Speed	Max. BHP	CFM at Static Pressure													
					0 SP	1/8 SP	1/4 SP	3/8 SP	1/2 SP	5/8 SP	3/4 SP	7/8 SP	1 SP	1-1/4 SP	1-1/2 SP			
270SRSH-B	1/4	305	1925	.15	4129	3277												
		355	2310	.23	4806	4131	2795											
	1/3	405	2695	.34	5483	4923	4144											
	1/2	455	3080	.48	6160	5676	5051	4084										
	3/4	505	3465	.66	6837	6407	5891	5248	4052									
		555	3850	.87	7513	7126	6687	6147	5494	4201								
	1	605	4235	1.13	8190	7837	7452	6993	6464	5774	4494							
		655	4620	1.44	8867	8542	8197	7802	7341	6833	6118	4910						
	2	705	5005	1.79	9544	9243	8928	8581	8180	7735	7246	6539	5419					
		755	5390	2.20	10221	9940	9650	9339	8988	8593	8168	7698	7027	3561				

Performance shown is for Installation Type A: free inlet, free outlet. Power rating (BHP) does not include drive losses. Performance ratings do not include the effects of appurtenances in the airstream.



LOREN COOK COMPANY

2015 E. DALE STREET
SPRINGFIELD, MO 65803-4637
417.869.6474
FAX 417.862.3820
lorencook.com