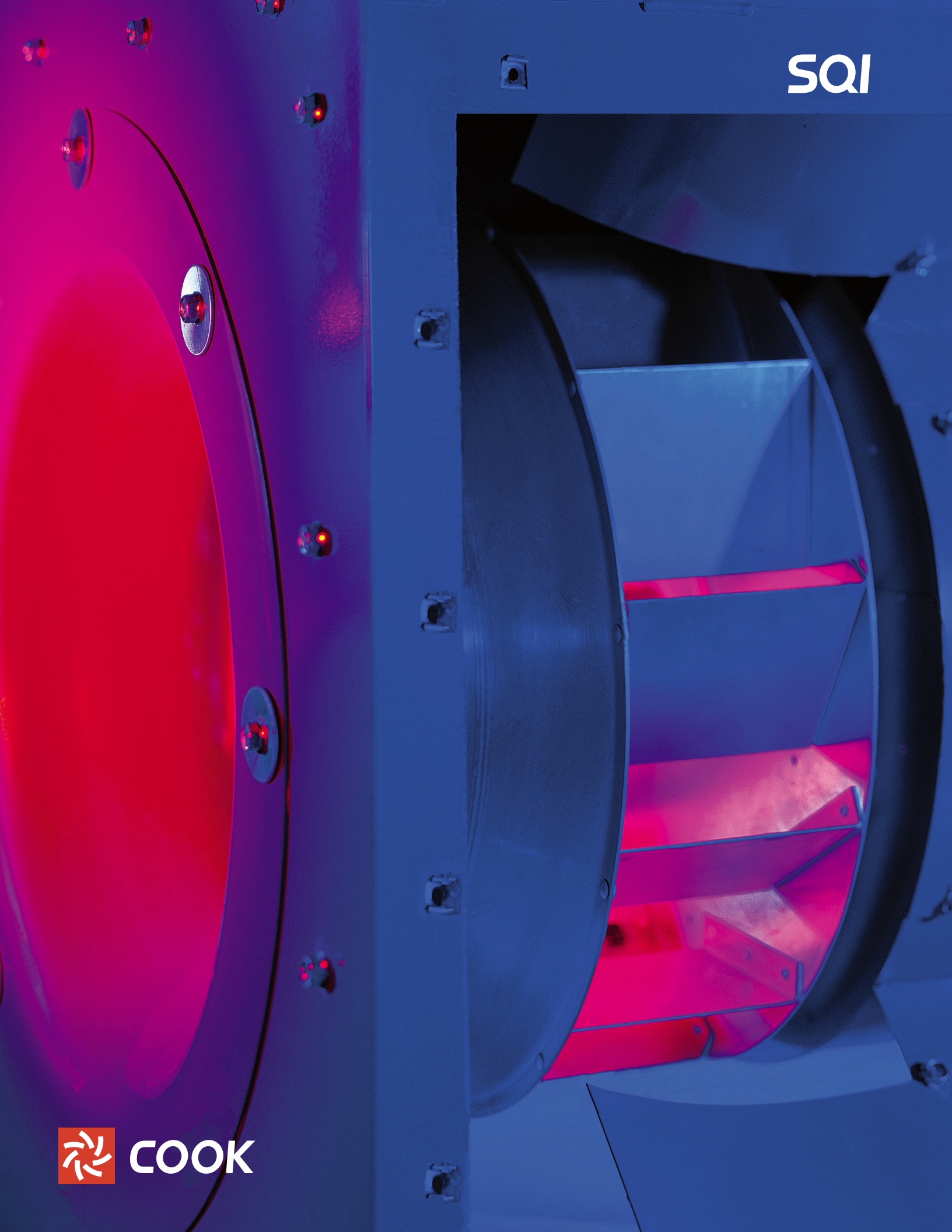


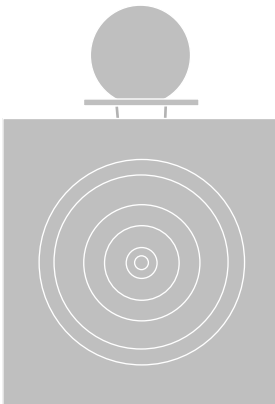
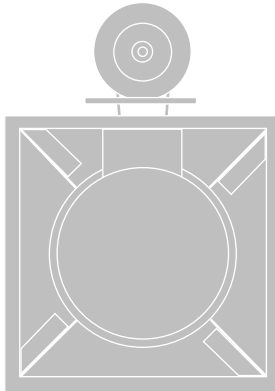
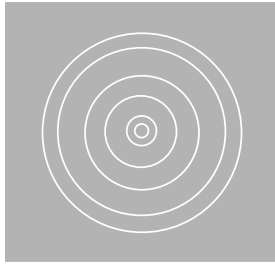
SQI



COOK

SQI

Square Centrifugal Inline Blowers



	Page
Introduction	2
Construction Features	2
Specifications and Dimension Data	
SQI-D Direct Drive	3
SQI-B Belt Drive	4
SQI-HP High Pressure Belt Drive	5
Accessories	
SQI Installation	6-7
SQI Accessories	8-10
Performance Data	
70-165 SQI-D	11
90-120 SQI-B	12-13
135-402 SQI-B / SQI-HP High Pressure	15-26
Sound Data	
SQI -D	27-28
SQI-B / SQI-HP	29-35
Other Available Products	36

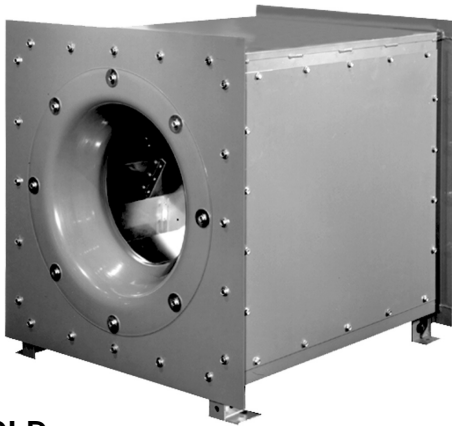
Introduction

Cook's Square Centrifugal Inline fans provide maximum performance and durability in a rugged inline design. The SQI is suitable for a wide variety of commercial and industrial air moving applications. Applications include general ventilation, dishwasher exhaust, spark resistant ventilation and outdoor installations.



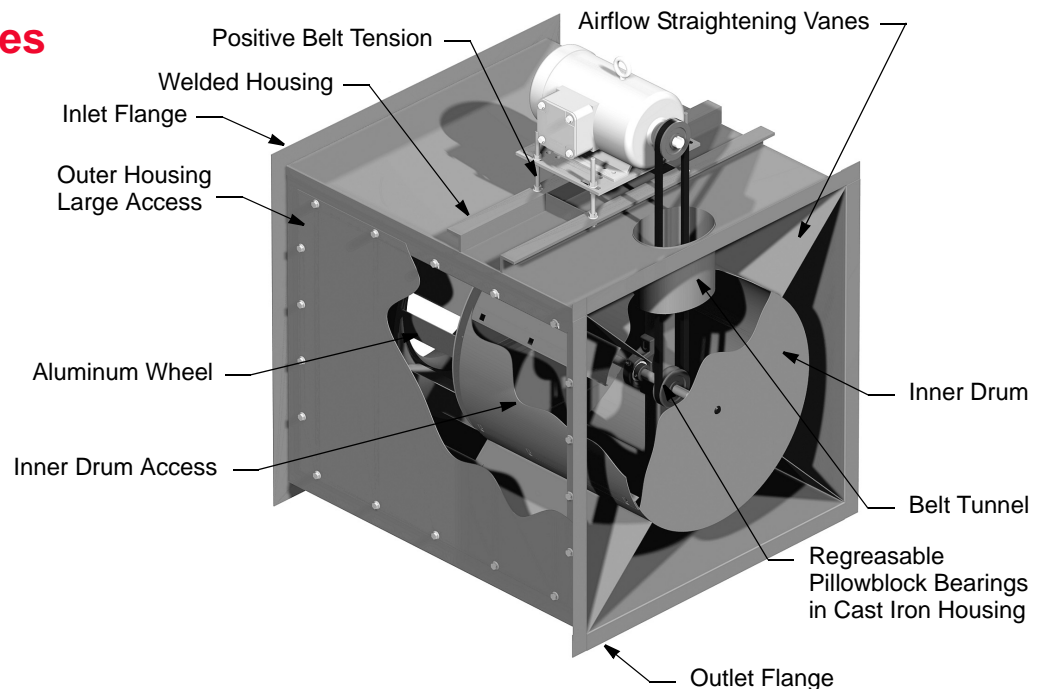
SQI-B/SQI-HP

- SQI units feature a compact, straight through airflow design.
- Welded steel housing with integral inlet and outlet flanges.
- Airflow straightening vanes that increase efficiency.
- An inner drum and belt tunnel that completely encloses the drive components.
- SQI is available in 7 direct drive sizes and 15 belt drive sizes. Capacities range from 170 to 30,000 CFM with static pressures from 0 to 3 inches.
- SQI-HP is available in 13 belt drive sizes. Capacities range from 700 CFM to 24,000 CFM with static pressures from 1/4 to 5 inches.



SQI-D

Construction Features



Square Centrifugal Inline Blower Direct Drive

Description: Fan shall be duct mounted, direct driven centrifugal square inline.

Certifications: Fan shall be manufactured at an ISO 9001 certified facility. Fan shall be listed by Underwriters Laboratories (UL 705) and UL listed for Canada (cUL 705). Fan shall bear the AMCA Certified Ratings Seal for Sound and Air Performance.

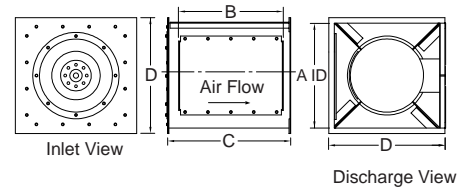
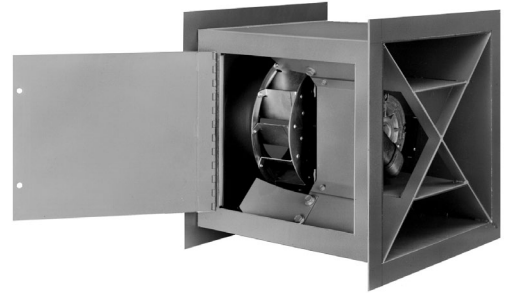
Construction: The fan shall be of bolted and welded construction utilizing corrosion resistant fasteners. Housing shall be minimum 18 gauge steel with airflow straightening vanes and integral duct flanges. Hinged access door shall be located in the specified position. Unit shall bear an engraved aluminum nameplate. Nameplate shall indicate design CFM and static pressure. Unit shall be shipped in ISTA Certified Transit Tested Packaging.

Coating: Steel fan components shall be Lorenized[®] with an electrostatically applied, baked polyester powder coating. Each component shall be subject to a five stage environmentally friendly wash system, followed by a minimum 2 mil thick baked powder finish. Paint must exceed 1,000 hour salt spray under ASTM B117 test method.

Wheel: Wheel shall be centrifugal backward inclined, constructed of 100 percent aluminum, including a precision machined cast aluminum hub. Wheel inlet shall overlap an aerodynamic aluminum inlet cone to provide maximum performance and efficiency. Wheel shall be balanced in accordance with AMCA Standard 204-96, Balance Quality and Vibration Levels for Fans.

Motor: Motor shall be heavy duty type with permanently lubricated sealed ball bearings and furnished at the specified voltage and phase.

Product: Fan shall be model SQI-D as manufactured by Loren Cook Company of Springfield, Missouri.



SQI-D Dimension Data

Size	A	B	C	D	Approx. Ship Wt.-Lbs.*
70	10-1/8	9-3/4	11-3/4	13-1/8	38
80	13	13	15-1/8	16	43
90	14-7/16	14-3/8	16-13/16	17-1/2	55
120	17-3/8	17-3/4	20-3/16	20-1/2	175
135	19-1/2	20-1/4	22-11/16	22-5/8	232
150	21-5/8	22-13/16	25-1/4	24-3/4	285
165	23-13/16	25-5/16	27-3/4	26-15/16	305

All dimensions in inches. *Weights in pounds, with motor.

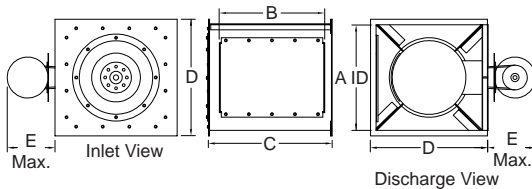
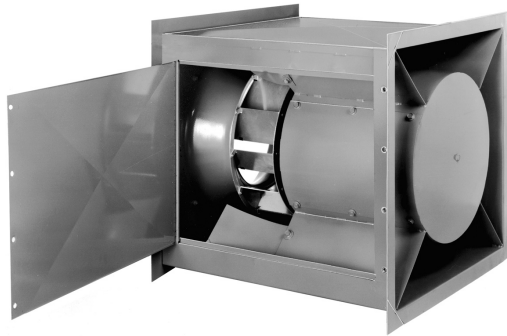


Loren Cook Company certifies that the SQI-D shown herein is licensed to bear the AMCA Seal. The ratings shown are based on tests and procedures performed in accordance with AMCA Publication 211 and AMCA Publication 311 and comply with the requirements of the AMCA Certified Ratings Program.



Type SQI-D is furnished standard with UL 705 & cUL 705 listing (Power Ventilator/ZACT) when furnished with factory supplied motor.

Square Centrifugal Inline Blower Belt Drive



Loren Cook Company certifies that the SQI-B shown herein is licensed to bear the AMCA Seal. The ratings shown are based on tests and procedures performed in accordance with AMCA Publication 211 and AMCA Publication 311 and comply with the requirements of the AMCA Certified Ratings Program.



Type SQI-B is furnished standard with UL 705 & cUL 705 listing (Power Ventilator/ZACT) when furnished with factory supplied motor.

Description: Fan shall be duct mounted, belt driven centrifugal square inline.

Certifications: Fan shall be manufactured at an ISO 9001 certified facility. Fan shall be listed by Underwriters Laboratories (UL 705) and UL listed for Canada (cUL 705). Fan shall bear the AMCA Certified Ratings Seal for Sound and Air Performance.

Construction: The fan shall be of bolted and welded construction utilizing corrosion resistant fasteners. Housing shall be minimum 18 gauge steel with air-flow straightening vanes and integral duct flanges. Adjustable motor plate shall utilize threaded studs for positive belt tensioning. Access door, motor and mounting feet shall be located in the specified position. Unit shall bear an engraved aluminum nameplate. Nameplate shall indicate design CFM, static pressure and maximum fan RPM. Unit shall be shipped in ISTA Certified Transit Tested Packaging.

Coating: Steel fan components shall be Lorenized[®] with an electrostatically applied, baked polyester powder coating. Each component shall be subject to a five stage environmentally friendly wash system, followed by a minimum 2 mil thick baked powder finish. Paint must exceed 1,000 hour salt spray under ASTM B117 test method.

Wheel: Wheel shall be centrifugal backward inclined, constructed of 100 percent aluminum, including a precision machined cast aluminum hub. Wheel inlet shall overlap an aerodynamic aluminum inlet cone to provide maximum performance and efficiency. Wheel shall be balanced in accordance with AMCA Standard 204-96, Balance Quality and Vibration Levels for Fans.

Motor: Motor shall be heavy duty type with permanently lubricated sealed ball bearings and furnished at the specified voltage, phase and enclosure.

Bearings: Bearings shall be designed and individually tested specifically for use in air handling applications. Construction shall be heavy duty regreasable ball type in a cast iron housing selected for a minimum L50 life in excess of 200,000 hours at maximum cataloged operating speed.

Belts and Drives: Belts shall be oil and heat resistant, non-static type. Drives shall be precision machined cast iron type, keyed and securely attached to the wheel and motor shafts. Drives shall be sized for 150% of the installed motor horsepower. The variable pitch drives must be factory set to the specified fan RPM.

Product: Fan shall be model SQI-B as manufactured by Loren Cook Company of Springfield, Missouri.

SQI-B Dimension Data

Size	A	B	C	D	E	Max. Mtr. Frame	Approx. Ship Wt.-Lbs.*
90	14-7/16	14-3/8	16-13/16	17-1/2	14-5/16	143T	125
120	17-3/8	17-3/4	20-3/16	20-1/2	14-5/16	145T	150
135	19-1/2	20-1/4	22-11/16	22-5/8	14-5/16	145T	200
150	21-5/8	22-13/16	25-1/4	24-3/4	14-5/16	145T	250
165	23-13/16	25-5/16	27-3/4	26-15/16	14-5/16	182T	255
180	26	27-13/16	30-1/4	29-1/8	14-5/16	182T	275
195	28-3/16	30-1/8	32-3/4	31-5/16	14-5/16	182T	325
210	30-3/8	32-5/8	35-1/4	33-1/2	14-5/16	182T	375
225	32-1/2	35-3/16	37-13/16	35-5/8	17-1/2	184T	425
245	35-3/8	38-9/16	41-3/16	38-1/2	17-1/2	213T	425
270	39	42-3/4	45-3/8	42-1/8	17-1/2	213T	450
300	43-7/16	47-13/16	50-7/16	46-1/2	17-1/2	213T	475
330	47-5/8	52-13/16	55-7/16	50-3/4	17-1/2	215T	555
365	52-3/4	58-15/16	61-3/8	55-7/8	17-1/2	215T	652
402	58-1/4	61-3/4	64-1/4	61-1/2	17-1/2	215T	750

All dimensions in inches. *Weights in pounds, less motor and drives.

Square Centrifugal High Pressure Inline Blower Belt Drive

Description: Fan shall be duct mounted, belt driven high pressure centrifugal square inline.

Certifications: Fan shall be manufactured at an ISO 9001 certified facility. Fan shall be listed by Underwriters Laboratories (UL 705) and UL listed for Canada (cUL 705).

Construction: The fan shall be of bolted and welded construction utilizing corrosion resistant fasteners. Housing shall be minimum 18 gauge steel with airflow straightening vanes and integral duct flanges. Adjustable motor plate shall utilize threaded studs for positive belt tensioning. Access door and mounting feet shall be located in the specified position. Unit shall bear an engraved aluminum nameplate. Nameplate shall indicate design CFM, static pressure and maximum fan RPM. Unit shall be shipped in ISTA Certified Transit Tested Packaging.

Coating: Steel fan components shall be Lorenized[®] with an electrostatically applied, baked polyester powder coating. Each component shall be subject to a five stage environmentally friendly wash system, followed by a minimum 2 mil thick baked powder finish. Paint must exceed 1,000 hour salt spray under ASTM B117 test method.

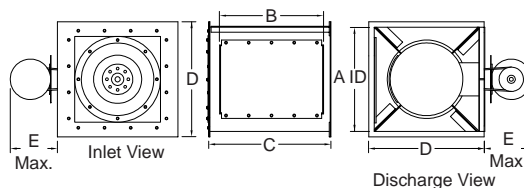
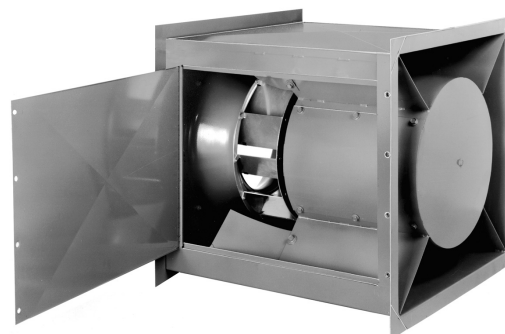
Wheel: Wheel shall be centrifugal backward inclined, constructed of 100 percent aluminum, including a precision machined cast aluminum hub. Wheel inlet shall overlap an aerodynamic aluminum inlet cone to provide maximum performance and efficiency. Wheel shall be balanced in accordance with AMCA Standard 204-96, Balance Quality and Vibration Levels for Fans.

Motor: Motor shall be heavy duty type with permanently lubricated sealed ball bearings and furnished at the specified voltage, phase and enclosure.

Bearings: Bearings shall be designed and individually tested specifically for use in air handling applications. Construction shall be heavy duty regreaseable ball type in a cast iron housing selected for a minimum L50 life in excess of 200,000 hours at maximum cataloged operating speed.

Belts and Drives: Belts shall be oil and heat resistant, non-static type. Drives shall be precision machined cast iron type, keyed and securely attached to the wheel and motor shafts. Drives shall be sized for 150% of the installed motor horsepower. The variable pitch motor drive must be factory set to the specified fan RPM.

Product: Fan shall be model SQI-HP as manufactured by Loren Cook Company of Springfield, Missouri.



Type SQI-HP is furnished standard with UL 705 & cUL 705 listing (Power Ventilator/ZACT) when furnished with factory supplied motor.

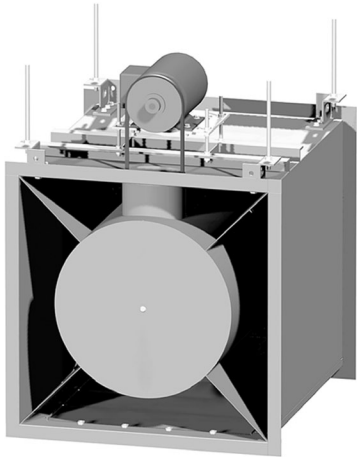
SQI-HP Dimension Data

Size	A	B	C	D	E	Max. Mtr. Frame	Approx. Ship Wt.-Lbs*.
135	19-1/2	20-1/4	22-11/16	22-5/8	14-5/16	145T	200
150	21-5/8	22-13/16	25-1/4	24-3/4	14-5/16	145T	250
165	23-13/16	25-5/16	27-3/4	26-15/16	14-5/16	182T	255
180	26	27-13/16	30-1/4	29-1/8	14-5/16	182T	275
195	28-3/16	30-1/8	32-3/4	31-5/16	14-5/16	182T	325
210	30-3/8	32-5/8	35-1/4	33-1/2	14-5/16	182T	375
225	32-1/2	35-3/16	37-13/16	35-5/8	17-1/2	184T	425
245	35-3/8	38-9/16	41-3/16	38-1/2	17-1/2	213T	425
270	39	42-3/4	45-3/8	42-1/8	17-1/2	213T	450
300	43-7/16	47-13/16	50-7/16	46-1/2	17-1/2	213T	475
330	47-5/8	52-13/16	55-7/16	50-3/4	17-1/2	215T	555
365	52-3/4	58-15/16	61-3/8	55-7/8	17-1/2	215T	652
402	58-1/4	61-3/4	64-1/4	61-1/2	17-1/2	254T	750

All dimensions in inches. *Weights in pounds, less motor and drives.

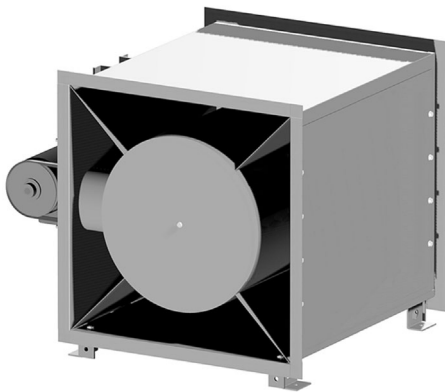
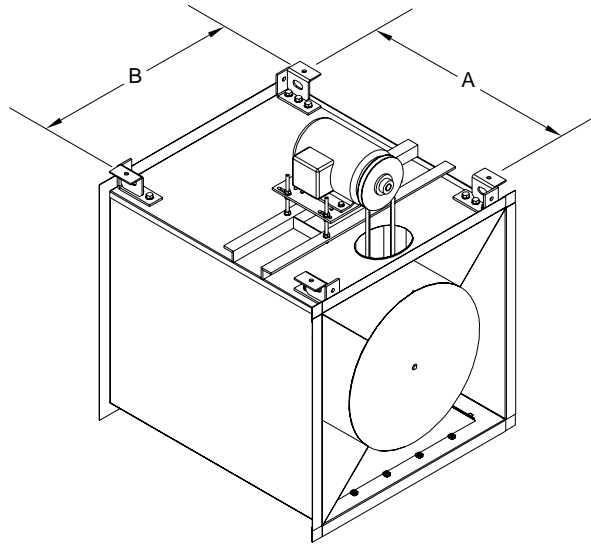
Installation

The SQI is equipped with factory installed mounting brackets for a wide range of options. The mounting bracket design allows for use with vibration isolators. All mounting configurations are viewed facing the discharge of the fan.



Horizontal Ceiling

Specify access door at 3:00, 6:00 or 9:00 position.



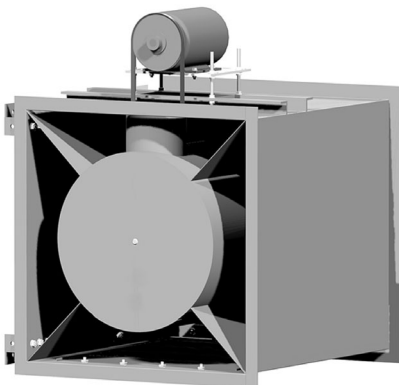
Horizontal Floor

Motor and Access should not be placed at 6:00 position.

Dimension Data

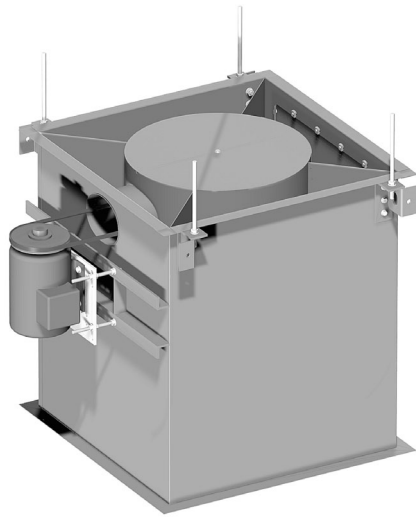
Size	A	B
70	8-15/16	9-1/4
80	12-3/16	12-1/8
90	13-15/16	13-1/2
120	17-5/16	16-7/16
135	18-9/16	19-13/16
150	20-7/8	20-11/16
165	23-3/8	22-7/8
180	25-7/8	25-1/16
195	28-3/8	27-1/4
210	30-7/8	29-1/2
225	33-7/16	31-5/8
245	36-13/16	34-1/2
270	41	38-1/8
300	46-1/16	42-9/16
330	51-1/16	46-3/4
365	57	51-7/8
402	59-7/8	57-1/2

All dimensions in inches.

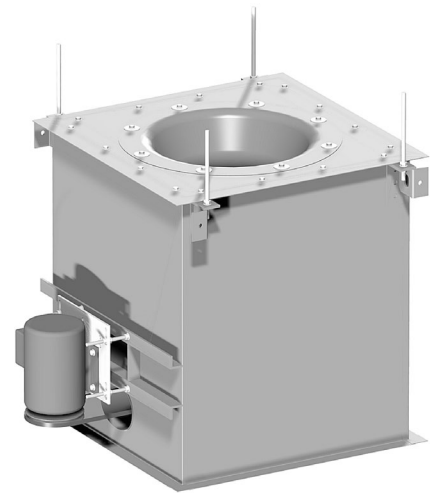


Wall Mount

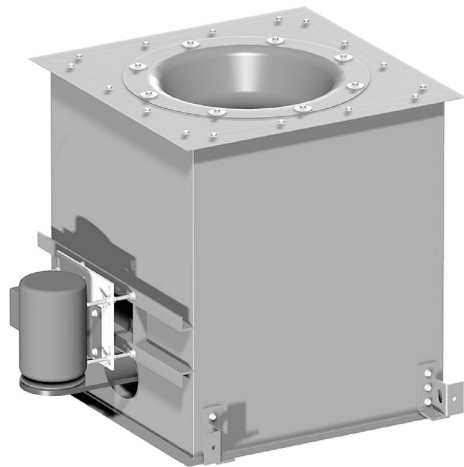
Specify wall position at 3:00, 9:00 or vertical wall mount installation.



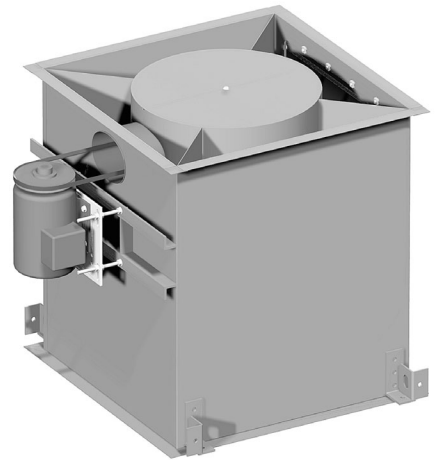
Vertical Ceiling - Upblast



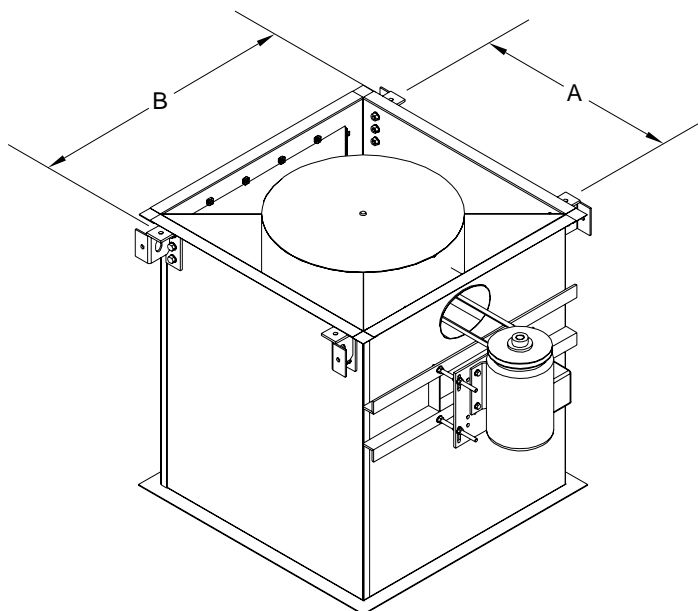
Vertical Ceiling - Downblast



Vertical Floor - Downblast



Vertical Floor - Upblast



Dimension Data

Size	A	B
70	6-3/8	14-13/16
80	9-1/4	17-1/16
90	10-5/8	18-7/16
120	13-9/16	21-3/8
135	15-11/16	23-1/2
150	17-13/16	25-5/8
165	20	27-13/16
180	22-3/16	30
195	24-3/8	32-3/16
210	26-9/16	34-3/8
225	28-11/16	36-1/2
245	31-9/16	39-3/8
270	35-3/16	43
300	39-5/8	47-7/16
330	43-13/16	51-5/8
365	48-15/16	56-3/4
402	54-9/16	62-3/8

All dimensions in inches.

Accessories

Disconnect Switches

NEMA 1 - Indoor, general purpose.

NEMA 1 (Lockable) - Indoor, general purpose with lockable switch.

NEMA 3R - Exterior mount, weather resistant.

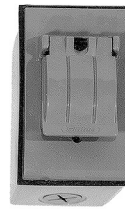
NEMA 7 & NEMA 9 (Lockable) - Indoor, explosion proof.



NEMA 1



NEMA 1 (Lockable)



NEMA 3R



NEMA 4

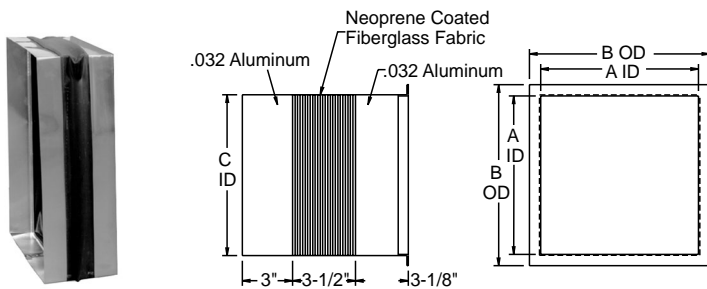


**NEMA 7
NEMA 9**

Cook's FSC is a variable speed controller which can offer excellent energy conservation and lower sound levels when 100 percent of a direct drive fan operating capacity is not required. The FSC employs solid state circuitry for long-life and dependability. The FSC is available only on 115V and 230V shaded pole or permanent split capacitor direct drive motors and is not available on 1140 RPM and 1725 RPM motors. The FSC is normally shipped loose for field installation. Optional pre-wiring is available.



Flexible Duct Connector

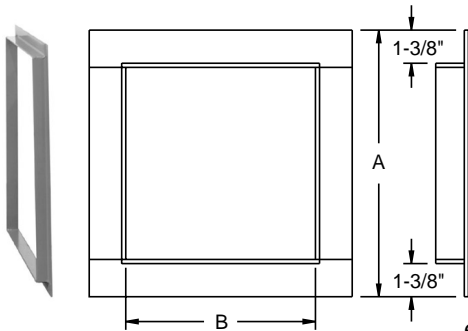


Size	A	B	C	Size	A	B	C
70	10-1/8	13-1/8	10-3/8	210	30-1/2	33-1/2	30-3/4
80	13	16	13-1/4	225	32-5/8	35-5/8	32-7/8
90	14-9/16	17-9/16	14-13/16	245	35-1/2	38-1/2	35-3/4
120	17-1/2	20-1/2	17-3/4	270	39-1/8	42-1/8	39-3/8
135	29-5/8	22-5/8	19-7/8	300	43-1/2	46-1/2	43-3/4
150	21-3/4	24-3/4	22	330	47-3/4	50-3/4	48
165	23-15/16	26-15/16	24-3/16	365	52-7/8	55-7/8	53-1/8
180	26-1/8	29-1/8	26-3/8	402	58-1/2	61-1/2	58-3/4
195	28-15/16	31-5/16	28-9/16				

All dimensions in inches.

Flex Duct Connectors are available for the inlet or outlet of the SQI. These connectors provide a flexible connection between the fan and the attached ductwork. This reduces the transmission of noise and vibration to the ductwork as well as allowing for slight misalignment and easy removal of the fan without disturbing the rigid ductwork. Flex Duct Connectors consist of reinforced neoprene fabric and aluminum bands.

Inlet/Outlet Companion Flange

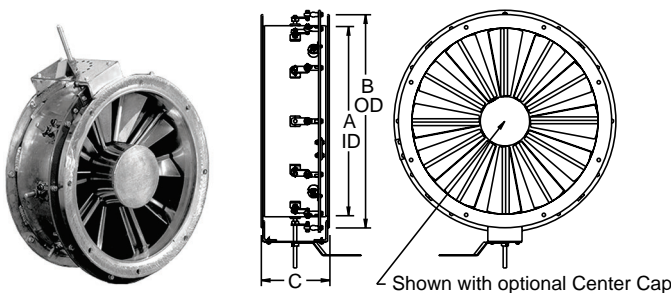


Size	A	B	Size	A	B
70	13-7/8	10-1/8	210	33-1/2	30-1/2
80	16	13	225	35-5/8	32-5/8
90	17-9/16	14-9/16	245	38-1/2	35-1/2
120	20-1/2	17-1/2	270	42-1/2	39-1/2
135	22-5/8	19-5/8	300	46-1/2	43-1/2
150	24-3/4	21-3/4	330	50-3/4	47-3/4
165	26-15/16	23-15/16	365	55-5/8	52-5/8
180	29-1/8	26-1/8	402	61-1/4	58-1/4
195	31-5/16	28-5/16			

All dimensions in inches.

Inlet or Outlet Companion Flanges are attached to the adjacent ductwork to provide an exact mate to the flanged connection on the fan.

External Inlet Vane Damper

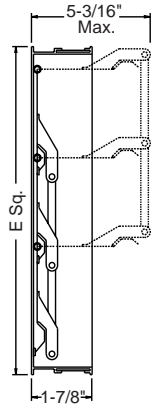


Size	A	B	C	Size	A	B	C
120	12-7/8	15-7/8	14	300	30-1/4	34-1/4	14
135	14-3/8	17-3/8		330	33-1/4	37-1/4	
150	15-7/8	18-7/8		365	36-3/4	40-3/4	
165	17-3/8	20-3/8		402	40-1/2	44-1/2	
180	18-7/8	21-7/8		445	44-3/4	48-3/4	
195	20	23		490	50-1/4	54-1/4	
210	21-3/4	24-3/4		540	55-1/4	59-1/4	
225	23-1/4	26-1/4		600	61-1/4	65-1/4	
245	25-1/4	28-1/4		660	67-1/4	71-1/4	
270	27-1/4	31-1/4		730	74-1/4	78-1/4	

All dimensions in inches. *Weights in pounds.

External Inlet Vane Dampers are used to provide precise air volume control while maintaining maximum efficiency and stable operation at reduced load conditions. Inlet Vane Dampers are available in aluminum construction on sizes 120 through 402. These dampers are factory mounted and provided with an adjustment arm for manual or actuated control (actuator furnished by others). Cataloged performance is based on fans without inlet vane dampers.

Automatic Backdraft Damper

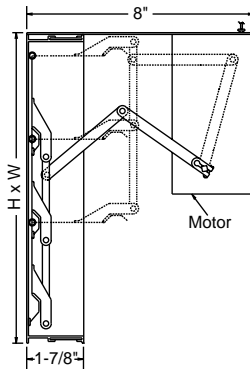


Automatic Backdraft Dampers feature an extruded aluminum frame, aluminum blades and aluminum hinge pins with nylon bushings. These dampers are shipped loose for field installation.

Size	E-Sq.	
	SQI-B/SQI-HP	SQI-D
70	-	9-7/8
80	-	12-3/4
90	14-3/16	14-3/16
120	17-1/8	17-1/8
135	19-3/8	19-3/8
150	21-3/8	21-3/8
165	23-9/16	23-9/16
180	25-3/4	-
195	27-15/16	-
210	30-1/8	-
225	32-1/4	-
245	35-1/8	-
270	38-3/4	-
300	43-1/8	-
330	47-3/8	-
365	52-1/2	-
402	58-1/4	-

All dimensions in inches.

Motorized Backdraft Damper



Motorized Backdraft Dampers feature an extruded aluminum frame, aluminum blades and aluminum hinge pins with nylon bushings. These dampers are shipped loose for field installation.

Size	E-Sq.	
	SQI-B/SQI-HP	SQI-D
70	-	9-7/8
80	-	12-3/4
90	14-3/16	14-3/16
120	17-1/8	17-1/8
135	19-3/8	19-3/8
150	21-3/8	21-3/8
165	23-9/16	23-9/16
180	25-3/4	-
195	27-15/16	-
210	30-1/8	-
225	32-1/4	-
245	35-1/8	-
270	38-3/4	-
300	43-1/8	-
330	47-3/8	-
365	47-3/8	-
402	58-1/4	-

All dimensions in inches.

Weather Proofing

Weather Proofing consists of a weather resistant fan housing and motor cover.

Belt Guard

Belt Guards are available which cover the drive assembly on the top, front and sides. The belt guard is constructed of minimum 18 gauge Lorenized® steel and has an open back which allows inspection and belt tensioning without removing the guard. Belt guards are factory installed.

Inlet Safety Screen

Inlet Safety Screens are used in non-ducted installations to protect personnel and prevent debris from entering the fan. This screen is constructed of 1/2" x 1/2" galvanized welded wire and is factory installed.

Outlet Safety Screen

Outlet Safety Screens are used on non-ducted installations to protect personnel and prevent debris from entering the fan. This screen is constructed of 16 gauge 1/2" x 1" expanded metal complete with mounting frame. This assembly is Lorenized® and factory installed.

Insulated Housing

An acoustical lining is available for the interior of the SQI. This fiberglass duct liner provides a reduction in noise of approximately 3dB in each of the eight octave bands.

Aluminum Construction

All aluminum construction is available on all sizes of the SQI's.

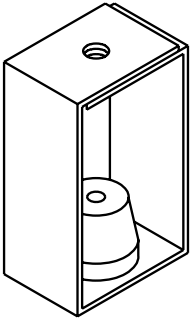
Special Coatings

Special Coatings are available for cosmetic or protective purposes.

Accessories

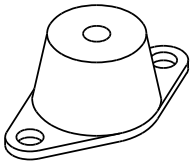
Isolators

Rubber-in-Shear - Ceiling Mounted



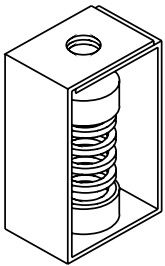
Unit	Rated Load
RC-75	75
RC-125	125
RC-175	175
RC-300	300
RC-450	450
RC-700	700
RC-1100	1100
RC-2000	2000

Rubber-in-Shear - Floor Mounted



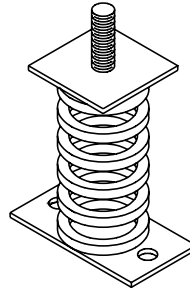
Unit	Rated Load
RF-55	55
RF-120	120
RF-220	220
RF-375	375
RF-600	600
RF-1100	1100
RF-2250	2250

Spring - Ceiling Mounted



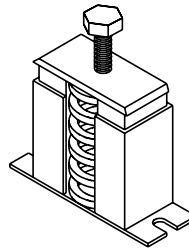
Unit	Rated Load	Spring. Rate (lbs./in.)
SC-35	35	23
SC-70	70	51
SC-125	125	100
SC-245	245	206
SC-370	370	370
SC-500	500	500
SC-1000	1000	870
SC-1700	1700	1700

Free Standing Spring - Floor Mounted



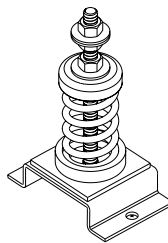
Unit	Rated Load	Spring. Rate (lbs./in.)
SF-70	70	51
SF-120	120	98
SF-220	220	196
SF-370	370	366
SF-625	625	419
SF-1250	1250	1096
SF-1700	1700	1700

Housed Spring - Floor Mounted



Unit	Rated Load	Spring. Rate (lbs./in.)
HF-120	120	98
HF-220	220	196
HF-320	320	302
HF-370	370	366
HF-500	500	500
HF-700	700	700
HF-800	800	588
HF-1000	1000	826
HF-1250	1250	1098
HF-1700	1700	1700

Restrained Spring - Floor Mounted

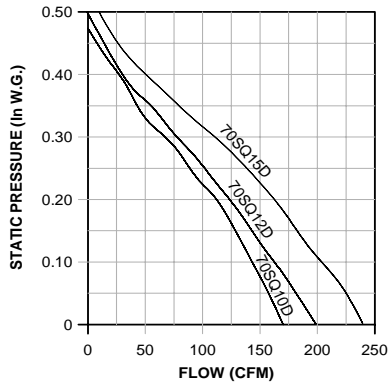


Unit	Rated Load	Spring. Rate (lbs./in.)
RS-70	70	51
RS-120	120	98
RS-220	220	196
RS-370	370	366
RS-625	625	419
RS-1250	1250	1096
RS-1700	1700	1700

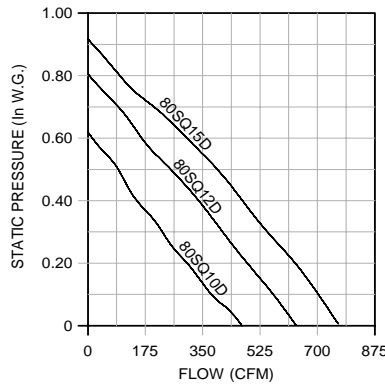
Catalog Number	Max. Watts/BHP	Nominal RPM	Motor H.P.	CFM vs. Static Pressure													
				0" SP	.10" SP	.125" SP	.25" SP	.375" SP	.50" SP	.625" SP	.75" SP	1.00" SP	1.25" SP	1.50" SP	1.75" SP	2.00" SP	
70SQ10D	62W	1050	1/20	170	143	136	89										
70SQ12D	70W	1200	1/20	199	163	153	102										
70SQ15D	120W	1550	1/20	239	202	191	137	63									
80SQ10D	84W	1075	1/6	470	376	358	260	170	93								
80SQ12D	130W	1200	1/6	632	562	542	444	353	249	143							
80SQ15D	235W	1550	1/6	763	699	682	585	485	389	272	135						
90SQ10D	83W	1075	1/6	609	519	494	371	232	139								
90SQ12D	134W	1200	1/6	809	757	742	658	570	460	277							
90SQ15D	240W	1550	1/6	939	897	887	833	776	706	627	420						
120SQ10D	.129	1075	1/6	1177	1086	1065	955	814	463								
*120SQ17D	.472	1725	1/2	1793	1740	1727	1661	1598	1532	1450	1361	1156					
135SQ10D	.17	1075	1/6	1305	1207	1183	1051	948	856	429							
*135SQ17D	.77	1725	3/4	2068	2013	1999	1927	1856	1782	1701	1622	1521	1429	1201			
150SQ10D	.299	1075	1/3	1994	1889	1863	1737	1606	1470	1368	1250						
*150SQ17D	1.090	1725	1	3015	2947	2931	2847	2767	2689	2611	2532	2359	2208	2081	1935		
165SQ10D	.461	1075	1/3	3066	2879	2838	2659	2499	2330	2179	1986						
*165SQ17D	2.163	1725	2	4906	4796	4769	4644	4533	4435	4347	4264	4099	3925	3769	3643	3490	

Performance shown is for Installation Type B: Free inlet, Ducted outlet. Speed (RPM) shown is nominal. Performance is based on actual speed of test. Performance ratings do not include the effects of appurtenances in the airstream. *These fans cannot be used with FSC speed controller.

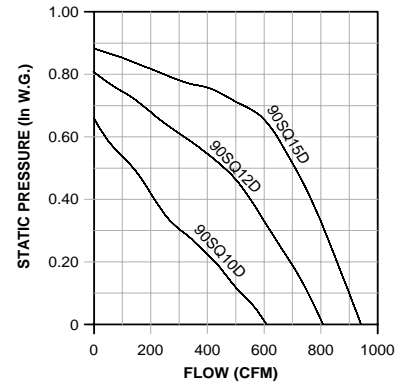
70SQ10D, 70SQ12D, 70SQ15D



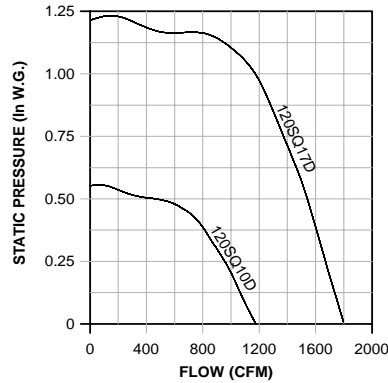
80SQ10D, 80SQ12D, 80SQ15D



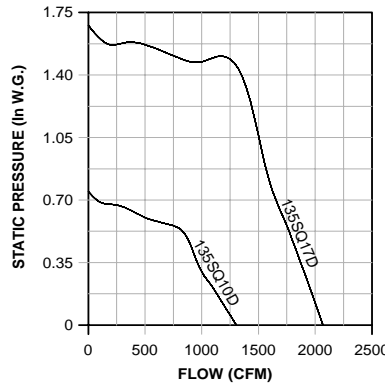
90SQ10D, 90SQ12D, 90SQ15D



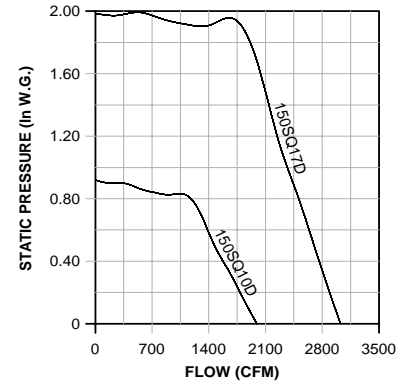
120SQ10D, 120SQ17D



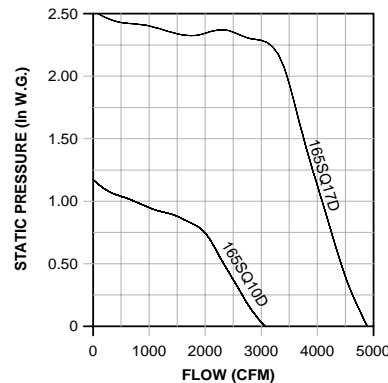
135SQ10D, 135SQ17D



150SQ10D, 150SQ17D



165SQ10D, 165SQ17D



90 SQI-B Data

Wheel Diameter - 10"

Tip Speed (FPM) - 2.62x RPM

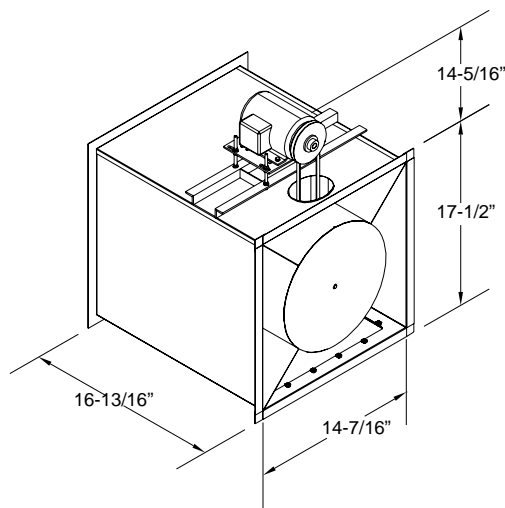
Maximum BHP - 0.035 x (RPM/1000)³

Outlet Area = 1.45 FT²

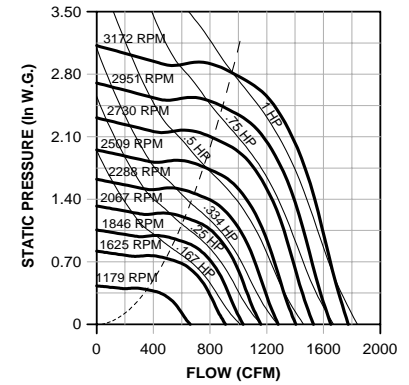
Outlet Velocity = CFM/1.45

1140 RPM motor required below 1250 RPM

3450 RPM motor required above 2950 RPM



SQI-B

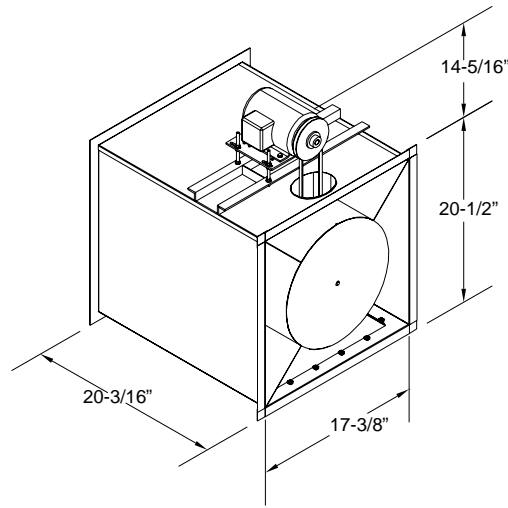
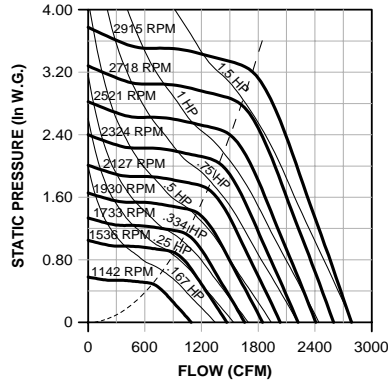


90 SQI-B

CFM	OV	0.125" SP		0.250" SP		0.500" SP		0.750" SP		1.000" SP		1.500" SP		2.000" SP		2.500" SP		3.000" SP	
		RPM	BHP	RPM	BHP	RPM	BHP	RPM	BHP	RPM	BHP	RPM	BHP	RPM	BHP	RPM	BHP	RPM	BHP
600	414	1179	.05	1264	.07	1466	.11	1686	.16	1904	.22								
650	448	1263	.06	1341	.08	1521	.12	1719	.17	1926	.23								
700	483	1348	.08	1421	.10	1581	.14	1762	.19	1951	.25	2316	.39						
750	517	1433	.09	1503	.11	1646	.15	1812	.21	1984	.27	2338	.41						
800	552	1519	.11	1586	.13	1717	.17	1867	.23	2026	.29	2360	.43						
850	587	1605	.13	1670	.15	1790	.20	1928	.25	2075	.31	2386	.46	2693	.62				
900	621	1690	.15	1754	.17	1867	.22	1992	.27	2129	.34	2417	.48	2715	.65	2989	.83		
950	656	1777	.17	1838	.20	1946	.25	2061	.30	2187	.36	2456	.51	2738	.68	3010	.87		
1000	690	1863	.20	1924	.23	2026	.28	2132	.33	2249	.40	2501	.54	2766	.72	3032	.91		
1050	725	1949	.22	2009	.26	2108	.31	2206	.37	2315	.43	2551	.58	2799	.75	3055	.95		
1100	759	2036	.25	2094	.29	2191	.35	2283	.40	2384	.47	2605	.62	2838	.79	3081	.98		
1150	794	2122	.29	2181	.32	2274	.39	2362	.45	2455	.51	2663	.66	2883	.83	3112	1.03		
1200	828	2210	.32	2266	.36	2357	.43	2441	.49	2528	.55	2724	.70	2932	.88	3149	1.07		
1250	863	2297	.36	2351	.40	2442	.47	2523	.54	2606	.60	2787	.75	2985	.93				
1300	897	2383	.40	2437	.45	2526	.52	2605	.59	2682	.65	2853	.80	3042	.98				
1350	932	2471	.45	2524	.49	2611	.57	2688	.64	2763	.71	2923	.86	3101	1.04				
1400	966	2559	.49	2609	.54	2697	.63	2771	.70	2842	.77	2995	.92	3163	1.10				
1450	1001	2647	.55	2696	.60	2782	.68	2854	.76	2925	.84	3068	.99						
1500	1035	2734	.60	2783	.65	2866	.74	2939	.83	3006	.90	3144	1.06						
1550	1070	2822	.66	2869	.71	2952	.81	3023	.89	3089	.97								
1600	1104	2909	.72	2955	.78	3039	.88	3107	.97	3172	1.05								

Performance shown is for Installation Type B: Free inlet, Ducted outlet. Power rating (BHP) does not include drive losses. Performance ratings do not include the effects of appurtenances in the airstream.

SQI-B



Wheel Diameter - 12"
Tip Speed (FPM) - 3.14x RPM
Maximum BHP - 0.073 x (RPM/1000)³
Outlet Area = 2.10 FT²
Outlet Velocity = CFM/2.10
1140 RPM motor required below 1050 RPM

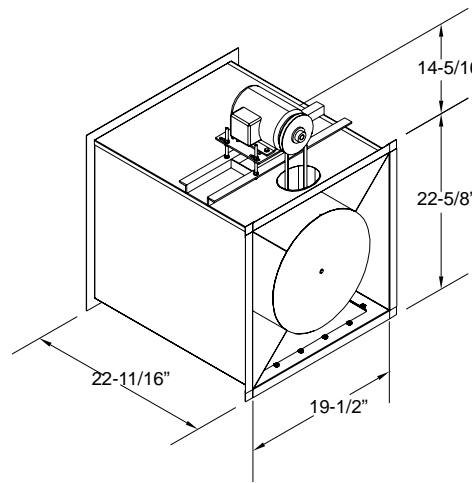
120 SQI-B

CFM	OV	0.125" SP		0.250" SP		0.500" SP		0.750" SP		1.000" SP		1.500" SP		2.000" SP		2.500" SP		3.000" SP	
		RPM	BHP	RPM	BHP	RPM	BHP	RPM	BHP	RPM	BHP	RPM	BHP	RPM	BHP	RPM	BHP	RPM	BHP
1000	476	1142	.10	1226	.12	1369	.18	1501	.25	1640	.32								
1075	511	1214	.11	1295	.15	1433	.21	1557	.27	1681	.35								
1150	547	1288	.14	1364	.17	1498	.23	1616	.30	1730	.38								
1225	583	1361	.16	1434	.19	1564	.26	1677	.33	1785	.41	2009	.59						
1300	619	1436	.19	1505	.22	1631	.30	1741	.37	1843	.45	2049	.63						
1375	654	1511	.22	1576	.25	1699	.33	1806	.41	1904	.49	2097	.67						
1450	690	1585	.25	1649	.29	1767	.37	1871	.45	1967	.54	2149	.72	2338	.93				
1525	726	1662	.29	1721	.33	1835	.41	1938	.50	2030	.58	2205	.77	2380	.99				
1600	761	1738	.33	1795	.37	1905	.46	2005	.55	2096	.64	2264	.83	2429	1.05	2603	1.29		
1675	797	1813	.37	1869	.41	1974	.51	2072	.60	2161	.70	2324	.89	2482	1.11	2644	1.35		
1750	833	1888	.42	1942	.46	2045	.56	2140	.66	2228	.76	2387	.96	2538	1.18	2690	1.42		
1825	869	1965	.47	2018	.52	2116	.62	2209	.72	2295	.83	2450	1.03	2596	1.25	2741	1.50		
1900	904	2043	.52	2092	.57	2187	.68	2277	.79	2362	.90	2515	1.11	2656	1.33	2794	1.58		
1975	940	2120	.58	2166	.64	2259	.75	2347	.86	2430	.97	2580	1.19	2717	1.42				
2050	976	2197	.65	2241	.70	2332	.82	2417	.93	2498	1.05	2646	1.28	2781	1.51				
2125	1011	2274	.72	2318	.78	2404	.89	2487	1.01	2567	1.13	2712	1.37	2845	1.61				
2200	1047	2351	.79	2394	.85	2477	.97	2558	1.09	2635	1.22	2779	1.47						
2275	1083	2428	.87	2470	.93	2551	1.06	2629	1.18	2705	1.31	2846	1.57						
2350	1119	2504	.96	2545	1.02	2624	1.15	2700	1.28	2774	1.41								
2425	1154	2581	1.05	2620	1.11	2697	1.24	2773	1.38	2845	1.52								
2500	1190	2657	1.14	2695	1.21	2772	1.34	2846	1.49	2915	1.62								

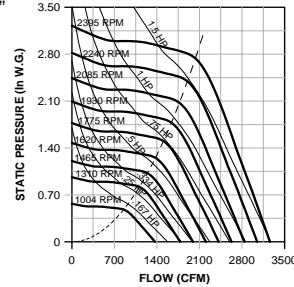
Performance shown is for Installation Type B: Free inlet, Ducted outlet. Power rating (BHP) does not include drive losses. Performance ratings do not include the effects of appurtenances in the airstream.

135 SQI-B/SQI-HP Data

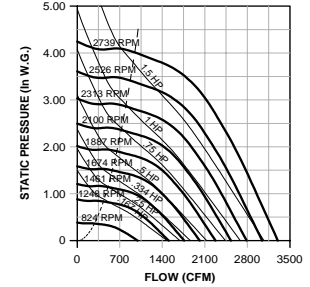
Wheel Diameter - 13.5"
Tip Speed (FPM) - 3.53 x RPM
Maximum BHP -
 SQI - $0.131 \times (\text{RPM}/1000)^3$
 SQI-HP - $.105 \times (\text{RPM}/1000)^3$
Outlet Area = 2.64 FT²
Outlet Velocity = CFM/2.64
1140 RPM motor required
below 950 RPM



SQI-B



SQI-HP



135 SQI-B

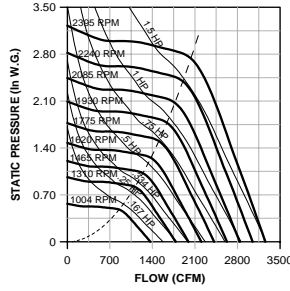
CFM	OV	0.125" SP		0.250" SP		0.500" SP		0.750" SP		1.000" SP		1.500" SP		2.000" SP		2.500" SP		3.000" SP	
		RPM	BHP	RPM	BHP	RPM	BHP	RPM	BHP	RPM	BHP	RPM	BHP	RPM	BHP	RPM	BHP	RPM	BHP
1250	473	1004	.12	1080	.15	1208	.22	1327	.31	1453	.40								
1335	505	1062	.14	1134	.18	1258	.25	1370	.33	1484	.43								
1420	537	1120	.16	1189	.20	1310	.28	1416	.37	1521	.46								
1505	570	1178	.19	1245	.23	1362	.31	1465	.40	1563	.50								
1590	602	1237	.22	1300	.26	1415	.35	1514	.44	1608	.54	1800	.77						
1675	634	1297	.25	1358	.29	1469	.39	1565	.48	1655	.58	1834	.81						
1760	666	1356	.28	1414	.33	1523	.43	1617	.53	1704	.63	1873	.86	2053	1.13				
1845	698	1416	.32	1472	.37	1577	.48	1670	.58	1754	.68	1915	.92	2081	1.19				
1930	731	1477	.36	1529	.41	1631	.52	1723	.63	1805	.74	1960	.98	2116	1.25				
2015	763	1537	.41	1589	.46	1686	.57	1776	.69	1857	.80	2007	1.04	2154	1.31	2310	1.62		
2100	795	1597	.45	1647	.51	1741	.63	1829	.75	1909	.87	2055	1.11	2196	1.39				
2185	827	1657	.51	1705	.57	1798	.69	1883	.81	1962	.94	2104	1.19	2240	1.46				
2270	859	1717	.56	1765	.62	1853	.75	1938	.88	2015	1.01	2154	1.27	2285	1.54				
2355	892	1779	.62	1825	.69	1911	.82	1992	.95	2068	1.09	2205	1.35	2333	1.63				
2440	924	1841	.69	1884	.76	1967	.89	2047	1.03	2122	1.17	2257	1.44						
2525	956	1903	.76	1943	.83	2025	.97	2102	1.11	2176	1.25	2309	1.54						
2610	988	1964	.84	2003	.90	2083	1.05	2158	1.19	2230	1.34	2362	1.64						
2695	1020	2026	.92	2064	.99	2140	1.13	2214	1.28	2285	1.44								
2780	1053	2087	1.00	2124	1.07	2198	1.22	2270	1.38	2339	1.54								
2865	1085	2148	1.09	2185	1.17	2257	1.32	2327	1.48	2395	1.64								

135 SQI-HP

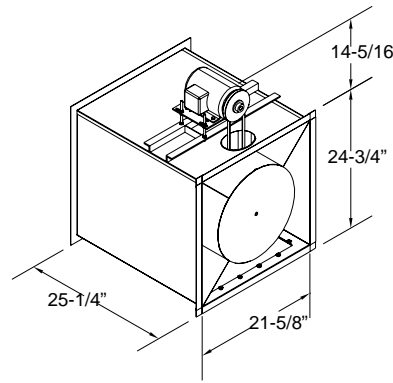
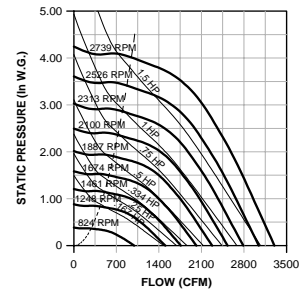
CFM	OV	0.250" SP		0.500" SP		1.000" SP		1.500" SP		2.000" SP		2.500" SP		3.000" SP		4.000" SP		5.000" SP	
		RPM	BHP	RPM	BHP	RPM	BHP	RPM	BHP	RPM	BHP	RPM	BHP	RPM	BHP	RPM	BHP	RPM	BHP
675	255	824	.06	1037	.11	1399	.25	1690	.40	1935	.58								
750	284	867	.07	1064	.12	1413	.26	1702	.43	1946	.61								
825	312	912	.08	1097	.14	1429	.28	1714	.45	1959	.64	2174	.84						
900	340	960	.09	1135	.15	1449	.30	1726	.48	1970	.67	2186	.88	2381	1.10				
975	369	1009	.11	1177	.17	1473	.32	1742	.51	1982	.71	2198	.92	2393	1.15	2739	1.64		
1050	397	1060	.12	1220	.19	1501	.35	1760	.53	1996	.74	2210	.97	2405	1.20				
1125	426	1113	.14	1265	.21	1533	.37	1781	.56	2011	.78	2222	1.01	2417	1.25				
1200	454	1166	.16	1311	.24	1568	.40	1806	.60	2029	.82	2236	1.05	2429	1.30				
1275	482	1221	.18	1359	.26	1607	.44	1834	.63	2050	.86	2252	1.10	2442	1.36				
1350	511	1276	.21	1408	.29	1648	.47	1865	.67	2073	.90	2271	1.15	2457	1.41				
1425	539	1332	.23	1458	.32	1690	.51	1899	.71	2100	.95	2292	1.20	2474	1.47				
1500	568	1388	.26	1510	.35	1734	.55	1936	.76	2128	.99	2315	1.25	2493	1.52				
1575	596	1445	.30	1562	.39	1779	.59	1975	.81	2160	1.05	2341	1.31	2514	1.58				
1650	624	1502	.33	1616	.43	1825	.64	2016	.86	2195	1.10	2369	1.37	2538	1.65				
1725	653	1559	.37	1670	.47	1872	.69	2059	.92	2232	1.17	2400	1.43						
1800	681	1617	.41	1724	.52	1920	.74	2102	.98	2271	1.23	2433	1.50						
1875	710	1675	.45	1780	.57	1968	.80	2147	1.04	2311	1.30	2468	1.57						
1950	738	1733	.50	1835	.62	2018	.85	2192	1.11	2353	1.37	2506	1.65						
2025	767	1792	.55	1891	.67	2069	.92	2238	1.18	2396	1.45								
2100	795	1851	.60	1947	.73	2120	.98	2284	1.25	2440	1.53								
2175	823	1910	.66	2003	.79	2173	1.05	2332	1.33	2485	1.61								

Performance shown is for Installation Type B: Free inlet, Ducted outlet. Power rating (BHP) does not include drive losses. Performance ratings do not include the effects of appurtenances in the airstream. Model SQI-HP is not licensed to bear the AMCA Seal.

SQI-B



SQI-HP



Wheel Diameter - 15"
 Tip Speed (FPM) - 3.93 x RPM
 Maximum BHP
 SQI - 0.224 x (RPM/1000)
 SQI-HP - 0.125 x (RPM/1000)³
 Outlet Area = 3.25 FT²
 Outlet Velocity = CFM/3.25
 Reinforced wheel required above 2116 RPM

150 SQI-B

CFM	OV	0.125" SP		0.250" SP		0.500" SP		0.750" SP		1.000" SP		1.500" SP		2.000" SP		2.500" SP		3.000" SP	
		RPM	BHP	RPM	BHP	RPM	BHP	RPM	BHP	RPM	BHP	RPM	BHP	RPM	BHP	RPM	BHP	RPM	BHP
1400	430	770	.10	836	.14	960	.22	1086	.32	1235	.46								
1525	469	827	.13	888	.17	1003	.25	1118	.35	1262	.50								
1650	507	886	.15	941	.20	1050	.29	1155	.39	1295	.55	1498	.81						
1775	546	945	.18	996	.23	1099	.33	1195	.43	1332	.60	1519	.86						
1900	584	1004	.22	1052	.26	1150	.37	1240	.48	1372	.65	1547	.92						
2025	623	1065	.26	1109	.31	1201	.42	1287	.53	1372	.65	1547	.92						
2150	661	1124	.30	1167	.35	1253	.47	1336	.59	1416	.71	1579	.99	1746	1.30				
2275	700	1184	.35	1226	.40	1306	.52	1387	.65	1462	.78	1615	1.07	1771	1.38				
2400	738	1244	.40	1284	.46	1360	.59	1437	.72	1510	.85	1654	1.15	1801	1.47	1951	1.82		
2525	776	1304	.46	1344	.52	1415	.65	1489	.79	1560	.93	1696	1.23	1835	1.56	1976	1.91		
2650	815	1365	.52	1403	.59	1471	.73	1541	.87	1611	1.02	1740	1.32	1872	1.66	2005	2.02		
2775	853	1425	.59	1463	.67	1528	.81	1594	.95	1661	1.11	1786	1.42	1911	1.77	2038	2.13		
2900	892	1485	.67	1523	.75	1585	.89	1648	1.04	1713	1.21	1835	1.54	1953	1.88				
3025	930	1545	.75	1582	.83	1643	.99	1703	1.14	1765	1.31	1884	1.65	1997	2.00				
3150	969	1605	.84	1643	.93	1701	1.09	1758	1.25	1817	1.42	1934	1.78	2042	2.13				
3275	1007	1665	.94	1703	1.03	1760	1.19	1815	1.36	1872	1.54	1985	1.91						
3400	1046	1726	1.04	1763	1.14	1819	1.31	1872	1.48	1925	1.66	2035	2.04						
3525	1084	1786	1.15	1822	1.25	1879	1.44	1928	1.61	1981	1.79	2087	2.19						
3650	1123	1846	1.27	1883	1.38	1938	1.57	1987	1.75	2036	1.93								
3775	1161	1906	1.39	1943	1.51	1997	1.71	2045	1.89	2093	2.09								
3900	1200	1967	1.53	2004	1.66	2057	1.86	2104	2.05										
4025	1238	2028	1.67	2064	1.80	2117	2.02												
4150	1276	2088	1.83	2123	1.96	2177	2.18												
4275	1315	2148	1.98	2184	2.13														
4400	1353	2209	2.16																

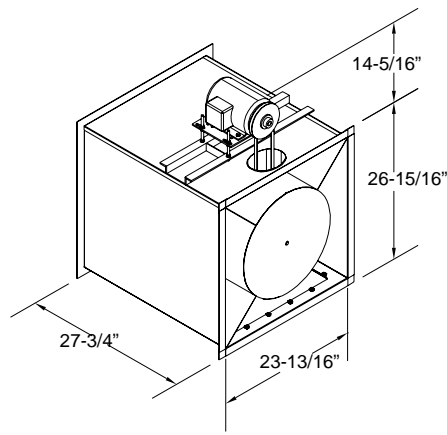
150 SQI-HP

CFM	OV	0.250" SP		0.500" SP		1.000" SP		1.500" SP		2.000" SP		2.500" SP		3.000" SP		4.000" SP		5.000" SP	
		RPM	BHP	RPM	BHP	RPM	BHP	RPM	BHP	RPM	BHP	RPM	BHP	RPM	BHP	RPM	BHP	RPM	BHP
600	184	849	.08	1035	.14	1326	.28	1575	.46	1794	.65								
675	207	904	.09	1081	.16	1364	.31	1600	.49	1814	.69	2007	.91						
750	230	961	.11	1131	.18	1406	.35	1631	.53	1837	.74	2027	.97	2201	1.21				
825	253	1021	.13	1183	.21	1450	.38	1670	.57	1865	.78	2049	1.02	2221	1.27				
900	276	1084	.15	1238	.24	1495	.42	1712	.62	1900	.84	2076	1.08	2243	1.34	2551	1.90		
975	300	1149	.18	1293	.27	1542	.46	1755	.68	1940	.90	2110	1.15	2270	1.41	2571	1.98		
1050	323	1215	.21	1351	.30	1592	.50	1799	.73	1983	.97	2148	1.22	2302	1.48	2594	2.07		
1125	346	1282	.25	1410	.34	1644	.55	1845	.79	2026	1.04	2189	1.30	2340	1.57	2621	2.16		
1200	369	1350	.29	1472	.39	1697	.61	1893	.85	2070	1.11	2231	1.38	2380	1.67				
1275	392	1419	.33	1535	.44	1752	.67	1943	.92	2115	1.18	2275	1.47	2422	1.77				
1350	415	1488	.38	1599	.49	1807	.73	1994	.99	2163	1.27	2319	1.56	2465	1.87				
1425	438	1557	.44	1665	.55	1864	.80	2047	1.07	2212	1.35	2364	1.65	2509	1.98				
1500	461	1627	.50	1732	.62	1922	.87	2101	1.15	2262	1.45	2412	1.75	2553	2.08				
1575	484	1697	.56	1799	.69	1982	.95	2155	1.24	2314	1.55	2461	1.86	2599	2.20				
1650	507	1768	.63	1867	.76	2042	1.04	2211	1.34	2367	1.65	2511	1.98						
1725	530	1839	.71	1935	.85	2104	1.13	2268	1.44	2421	1.77	2562	2.10						
1800	553	1910	.79	2004	.94	2168	1.23	2325	1.55	2475	1.88								
1875	576	1979	.88	2073	1.03	2232	1.34	2383	1.66	2530	2.01								
1950	600	2052	.98	2141	1.14	2298	1.45	2444	1.78	2586	2.14								

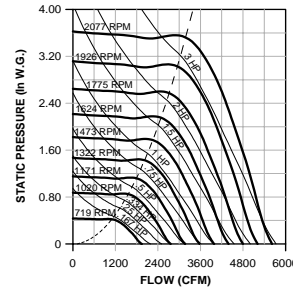
Performance shown is for Installation Type B: Free inlet, Ducted outlet. Power rating (BHP) does not include drive losses. Performance ratings do not include the effects of appurtenances in the airstream. Model SQI-HP is not licensed to bear the AMCA Seal. **Shaded area indicates reinforced wheel.**

165 SQI-B/SQI-HP Data

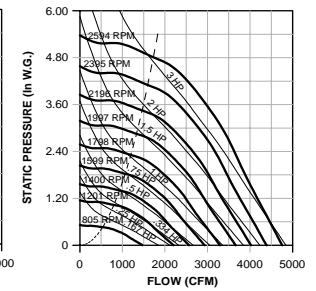
Wheel Diameter - 16.5"
Tip Speed (FPM) - 4.32 x RPM
Maximum BHP
 SQI - 0.360 x (RPM/1000)
 SQI-HP - 0.202 x (RPM/1000)³
Outlet Area = 3.94 FT²
Outlet Velocity = CFM/3.94
Reinforced wheel required above 1833 RPM



SQI-B



SQI-HP



165 SQI-B

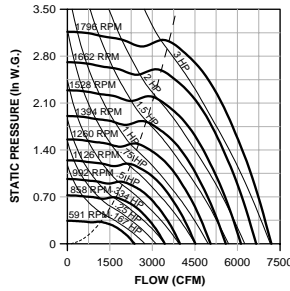
CFM	OV	0.125" SP		0.250" SP		0.500" SP		0.750" SP		1.000" SP		1.500" SP		2.000" SP		2.500" SP		3.000" SP	
		RPM	BHP	RPM	BHP	RPM	BHP	RPM	BHP	RPM	BHP	RPM	BHP	RPM	BHP	RPM	BHP	RPM	BHP
1750	444	719	.13	777	.18	886	.28	997	.40	1111	.53								
1925	488	780	.17	832	.22	934	.33	1033	.45	1135	.58								
2100	533	842	.21	890	.26	985	.38	1075	.51	1167	.64								
2275	577	905	.26	948	.31	1038	.44	1121	.57	1205	.71	1377	1.03						
2450	622	968	.31	1008	.37	1091	.50	1170	.64	1247	.79	1406	1.12						
2625	666	1030	.37	1069	.44	1146	.58	1222	.72	1293	.88	1441	1.22	1590	1.59				
2800	711	1094	.44	1131	.51	1202	.66	1275	.81	1343	.97	1479	1.32	1618	1.70	1761	2.13		
2975	755	1157	.52	1193	.59	1260	.75	1329	.91	1394	1.08	1521	1.43	1652	1.83	1783	2.25		
3150	799	1220	.60	1256	.69	1318	.84	1383	1.02	1447	1.20	1567	1.56	1689	1.96	1813	2.39	1939	2.87
3325	844	1284	.70	1318	.79	1378	.95	1439	1.13	1500	1.32	1615	1.70	1730	2.11	1846	2.55	1964	3.02
3500	888	1347	.81	1381	.90	1438	1.07	1495	1.26	1554	1.45	1665	1.85	1773	2.27	1884	2.72	1995	3.20
3675	933	1410	.92	1444	1.02	1499	1.20	1554	1.40	1609	1.60	1717	2.01	1819	2.44	1924	2.91		
3850	977	1473	1.05	1507	1.16	1560	1.35	1611	1.54	1665	1.75	1770	2.19	1867	2.62	1966	3.10		
4025	1022	1536	1.18	1571	1.30	1622	1.50	1672	1.71	1721	1.92	1823	2.37	1918	2.83	2011	3.30		
4200	1066	1600	1.33	1633	1.46	1684	1.67	1731	1.88	1779	2.10	1877	2.57	1969	3.04				
4375	1110	1663	1.49	1697	1.63	1747	1.85	1792	2.07	1837	2.29	1931	2.78	2022	3.27				
4550	1155	1727	1.67	1760	1.81	1809	2.04	1853	2.27	1897	2.50	1986	3.00						
4725	1199	1790	1.86	1824	2.01	1872	2.25	1915	2.49	1957	2.73	2042	3.23						
4900	1244	1854	2.06	1887	2.22	1935	2.48	1977	2.72	2016	2.96								
5075	1288	1918	2.28	1950	2.44	1998	2.72	2038	2.96	2077	3.22								

165 SQI-HP

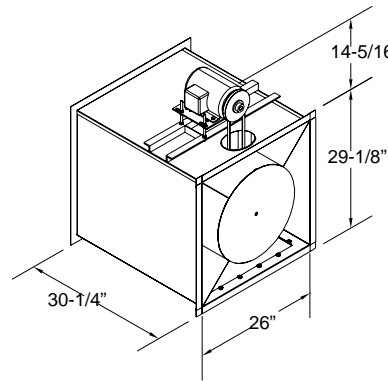
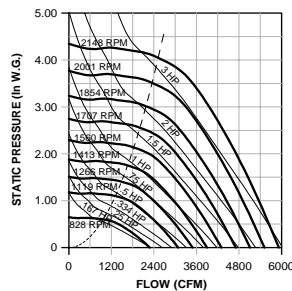
CFM	OV	0.250" SP		0.500" SP		1.000" SP		1.500" SP		2.000" SP		2.500" SP		3.000" SP		4.000" SP		5.000" SP	
		RPM	BHP	RPM	BHP	RPM	BHP	RPM	BHP	RPM	BHP	RPM	BHP	RPM	BHP	RPM	BHP	RPM	BHP
1100	279	805	.10	964	.18	1231	.37	1464	.58										
1250	317	873	.13	1016	.21	1270	.41	1487	.64	1688	.89								
1400	355	944	.16	1073	.25	1314	.46	1520	.69	1710	.96	1888	1.24						
1550	393	1015	.19	1136	.29	1362	.51	1560	.76	1739	1.03	1909	1.33	2070	1.65				
1700	431	1086	.23	1204	.34	1413	.57	1605	.83	1777	1.11	1938	1.43	2091	1.75	2380	2.45		
1850	469	1158	.28	1274	.39	1467	.63	1652	.91	1819	1.20	1973	1.52	2120	1.86	2398	2.59		
2000	507	1231	.33	1344	.45	1526	.71	1702	1.00	1864	1.30	2014	1.63	2155	1.98	2421	2.73		
2150	545	1305	.39	1415	.52	1589	.79	1754	1.09	1912	1.41	2058	1.75	2195	2.11	2451	2.88		
2300	584	1379	.46	1486	.60	1655	.88	1810	1.19	1962	1.53	2105	1.88	2238	2.25	2486	3.04		
2450	622	1455	.54	1557	.68	1724	.98	1869	1.30	2014	1.65	2153	2.02	2284	2.40	2525	3.20		
2600	660	1531	.62	1630	.78	1794	1.09	1932	1.42	2069	1.78	2204	2.17	2331	2.56				
2750	698	1607	.71	1703	.88	1864	1.21	1997	1.55	2126	1.92	2255	2.32	2381	2.73				
2900	736	1684	.82	1775	.99	1935	1.35	2065	1.70	2187	2.07	2310	2.48	2431	2.91				
3050	774	1762	.93	1850	1.12	2005	1.48	2134	1.86	2251	2.24	2368	2.66	2484	3.09				
3200	812	1840	1.06	1924	1.25	2076	1.64	2204	2.03	2317	2.42	2428	2.84	2540	3.30				
3350	850	1917	1.19	2000	1.40	2148	1.80	2274	2.21	2385	2.62	2491	3.05						
3500	888	1996	1.34	2075	1.55	2219	1.97	2345	2.40	2454	2.83	2556	3.27						
3650	926	2076	1.51	2151	1.72	2292	2.16	2415	2.60	2524	3.05								
3800	964	2155	1.68	2228	1.91	2364	2.36	2487	2.83	2594	3.28								
3950	1003	2233	1.87	2304	2.10	2438	2.58	2557	3.05										

Performance shown is for Installation Type B: Free inlet, Ducted outlet. Power rating (BHP) does not include drive losses. Performance ratings do not include the effects of appurtenances in the airstream. Model SQI-HP is not licensed to bear the AMCA Seal. **Shaded area indicates reinforced wheel.**

SQI-B



SQI-HP



Wheel Diameter - 18"
 Tip Speed (FPM) - 4.71 x RPM
 Maximum BHP
 SQI - 0.624 x (RPM/1000)
 SQI-HP - 0.367 x (RPM/1000)³
 Outlet Area = 4.69 FT²
 Outlet Velocity = CFM/4.69
1140 RPM motor required below 620 RPM
Reinforced wheel required above 1610 RPM

180 SQI-B

CFM	OV	0.125" SP		0.250" SP		0.500" SP		0.750" SP		1.000" SP		1.500" SP		2.000" SP		2.500" SP		3.000" SP	
		RPM	BHP	RPM	BHP	RPM	BHP	RPM	BHP	RPM	BHP	RPM	BHP	RPM	BHP	RPM	BHP	RPM	BHP
2100	447	591	.12	659	.18	792	.30	919	.45	1035	.61								
2325	495	640	.15	703	.21	823	.35	941	.50	1052	.67								
2550	543	691	.19	747	.25	859	.40	967	.55	1073	.73	1267	1.12						
2775	591	742	.23	794	.30	897	.45	997	.61	1097	.79	1283	1.20						
3000	639	795	.28	842	.35	938	.51	1032	.68	1124	.87	1303	1.28	1466	1.75				
3225	687	848	.34	891	.41	981	.58	1068	.76	1155	.95	1324	1.37	1483	1.85				
3450	735	902	.41	942	.48	1026	.65	1108	.84	1189	1.05	1349	1.48	1503	1.97	1646	2.50		
3675	783	955	.48	993	.56	1071	.74	1149	.94	1226	1.15	1377	1.60	1524	2.09	1664	2.63	1796	3.21
3900	831	1010	.57	1044	.65	1118	.83	1192	1.04	1264	1.26	1407	1.72	1548	2.23	1684	2.78		
4125	879	1064	.66	1097	.75	1166	.94	1236	1.15	1305	1.38	1440	1.86	1575	2.38	1706	2.93		
4350	927	1118	.76	1150	.86	1214	1.05	1281	1.27	1347	1.50	1476	2.01	1603	2.53	1730	3.10		
4575	975	1173	.88	1203	.97	1264	1.18	1327	1.40	1390	1.64	1513	2.16	1635	2.71	1756	3.29		
4800	1023	1228	1.00	1257	1.11	1314	1.32	1374	1.55	1435	1.79	1553	2.33	1669	2.89				
5025	1071	1284	1.15	1310	1.25	1364	1.46	1422	1.70	1480	1.96	1593	2.50	1704	3.09				
5250	1119	1339	1.30	1364	1.40	1416	1.63	1470	1.87	1526	2.13	1635	2.69	1742	3.30				
5475	1167	1394	1.46	1418	1.57	1468	1.80	1520	2.06	1572	2.32	1678	2.89						
5700	1215	1449	1.64	1473	1.75	1520	1.99	1569	2.25	1619	2.52	1722	3.11						
5925	1263	1504	1.83	1527	1.95	1573	2.20	1620	2.46	1668	2.74								
6150	1311	1559	2.03	1581	2.16	1625	2.41	1670	2.68	1717	2.97								
6375	1359	1613	2.25	1635	2.38	1678	2.65	1722	2.93	1766	3.22								

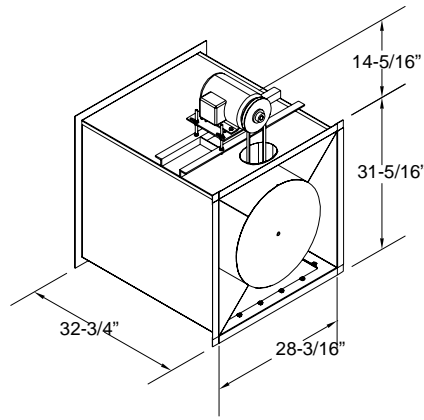
180 SQI-HP

CFM	OV	0.250" SP		0.500" SP		1.000" SP		1.500" SP		2.000" SP		2.500" SP		3.000" SP		4.000" SP		5.000" SP	
		RPM	BHP	RPM	BHP	RPM	BHP	RPM	BHP	RPM	BHP	RPM	BHP	RPM	BHP	RPM	BHP	RPM	BHP
1900	405	828	.20	948	.31	1154	.56	1344	.85	1521	1.18								
2050	437	873	.23	988	.35	1186	.61	1364	.91	1536	1.25	1694	1.61						
2200	469	920	.26	1029	.39	1220	.67	1389	.97	1552	1.31	1708	1.69						
2350	501	968	.30	1071	.44	1256	.73	1418	1.04	1573	1.39	1723	1.77	1865	2.18				
2500	533	1016	.34	1115	.49	1293	.79	1450	1.12	1597	1.47	1740	1.86	1880	2.28				
2650	565	1064	.39	1159	.54	1331	.86	1484	1.20	1625	1.56	1762	1.96	1896	2.38	2148	3.30		
2800	597	1114	.44	1205	.60	1370	.93	1519	1.29	1656	1.66	1786	2.06	1915	2.50				
2950	628	1164	.50	1251	.67	1411	1.01	1555	1.38	1688	1.77	1814	2.18	1937	2.61				
3100	660	1214	.57	1297	.73	1452	1.10	1593	1.48	1722	1.88	1844	2.30	1963	2.74				
3250	692	1265	.64	1345	.81	1494	1.19	1631	1.58	1758	1.99	1877	2.43	1991	2.88				
3400	724	1316	.71	1393	.89	1537	1.28	1671	1.69	1795	2.12	1911	2.56	2021	3.02				
3550	756	1367	.79	1441	.98	1581	1.39	1711	1.81	1832	2.25	1946	2.71	2054	3.18				
3700	788	1418	.88	1490	1.08	1625	1.49	1752	1.93	1870	2.38	1982	2.86						
3850	820	1470	.98	1539	1.18	1670	1.61	1793	2.06	1909	2.53	2018	3.01						
4000	852	1522	1.08	1589	1.29	1716	1.73	1836	2.20	1949	2.68	2056	3.18						
4150	884	1574	1.19	1639	1.40	1762	1.86	1879	2.34	1989	2.84								
4300	916	1626	1.31	1689	1.53	1809	2.00	1922	2.49	2030	3.00								
4450	948	1678	1.43	1739	1.66	1855	2.14	1966	2.65	2072	3.18								
4600	980	1732	1.57	1790	1.80	1903	2.30	2011	2.82										
4750	1012	1785	1.71	1841	1.95	1951	2.46	2056	3.00										

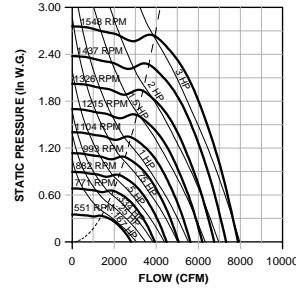
Performance shown is for Installation Type B: Free inlet, Ducted outlet. Power rating (BHP) does not include drive losses. Performance ratings do not include the effects of appurtenances in the airstream. Model SQI-HP is not licensed to bear the AMCA Seal. **Shaded area indicates reinforced wheel.**

195 SQI-B/SQI-HP Data

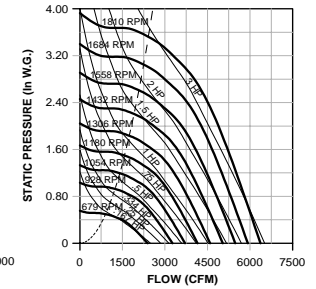
Wheel Diameter - 19.5"
Tip Speed (FPM) - 5.11 x RPM
Maximum BHP
 SQI - $0.931 \times (\text{RPM}/1000)$
 SQI-HP - $0.573 \times (\text{RPM}/1000)^3$
Outlet Area = 5.52 FT²
Outlet Velocity = CFM/5.52
1140 RPM motor required below 585 RPM
Reinforced wheel required above 1429 RPM



SQI-B



SQI-HP



195 SQI-B

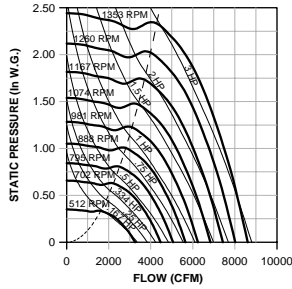
CFM	OV	0.125" SP		0.250" SP		0.500" SP		0.750" SP		1.000" SP		1.500" SP		2.000" SP		2.500" SP		3.000" SP	
		RPM	BHP	RPM	BHP	RPM	BHP	RPM	BHP	RPM	BHP	RPM	BHP	RPM	BHP	RPM	BHP	RPM	BHP
2500	452	551	.15	614	.21	735	.36	851	.53	958	.73								
2750	498	595	.18	652	.25	762	.41	871	.59	973	.79								
3000	543	639	.22	691	.30	794	.47	894	.65	991	.85	1170	1.32						
3250	588	684	.27	732	.35	827	.52	920	.72	1012	.93	1184	1.40						
3500	634	730	.33	774	.41	863	.59	950	.80	1035	1.01	1201	1.50	1353	2.04				
3750	679	776	.39	817	.48	901	.67	982	.88	1062	1.10	1220	1.60	1367	2.16				
4000	724	823	.46	861	.55	939	.75	1016	.97	1092	1.21	1241	1.71	1384	2.28	1517	2.91		
4250	769	870	.54	905	.64	979	.84	1052	1.07	1123	1.32	1264	1.84	1403	2.42	1532	3.05		
4500	815	917	.63	950	.73	1019	.94	1089	1.18	1157	1.44	1291	1.98	1423	2.57	1550	3.21		
4750	860	965	.74	996	.84	1060	1.05	1127	1.30	1192	1.57	1319	2.12	1445	2.72				
5000	905	1012	.84	1042	.95	1103	1.18	1166	1.43	1228	1.70	1349	2.28	1470	2.90				
5250	951	1060	.97	1088	1.08	1146	1.31	1206	1.57	1265	1.85	1382	2.45	1496	3.08				
5500	996	1108	1.10	1135	1.22	1189	1.46	1246	1.72	1304	2.01	1415	2.63	1525	3.28				
5750	1041	1156	1.25	1182	1.37	1234	1.62	1288	1.89	1343	2.19	1450	2.82						
6000	1086	1205	1.41	1228	1.53	1278	1.79	1330	2.07	1382	2.37	1486	3.02						
6250	1132	1253	1.58	1276	1.71	1323	1.98	1372	2.26	1423	2.57	1523	3.24						
6500	1177	1301	1.77	1324	1.90	1368	2.17	1416	2.47	1464	2.79								
6750	1222	1349	1.97	1371	2.11	1415	2.40	1459	2.69	1505	3.01								
7000	1268	1397	2.18	1418	2.33	1461	2.63	1504	2.94	1548	3.26								
7250	1313	1445	2.41	1466	2.56	1506	2.86	1547	3.18										

195 SQI-HP

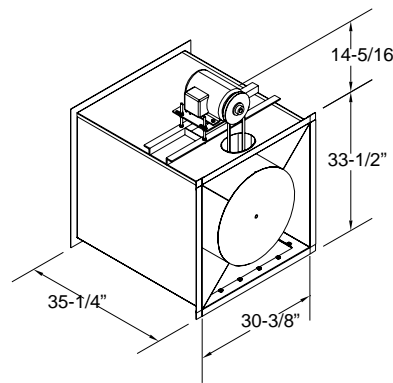
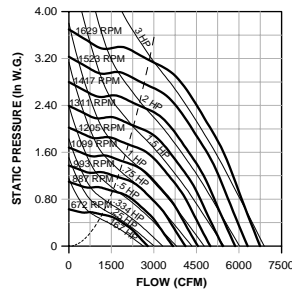
CFM	OV	0.250" SP		0.500" SP		1.000" SP		1.500" SP		2.000" SP		2.500" SP		3.000" SP		4.000" SP		5.000" SP	
		RPM	BHP	RPM	BHP	RPM	BHP	RPM	BHP	RPM	BHP	RPM	BHP	RPM	BHP	RPM	BHP	RPM	BHP
1900	344	679	.17	797	.29	1019	.57	1204	.89	1369	1.24								
2100	380	725	.21	834	.33	1041	.62	1223	.96	1383	1.33								
2300	416	773	.25	875	.38	1066	.67	1245	1.03	1400	1.42	1543	1.83						
2500	452	822	.30	918	.44	1095	.74	1267	1.11	1420	1.51	1559	1.94	1688	2.39				
2700	489	872	.35	963	.50	1129	.82	1290	1.19	1442	1.61	1578	2.06	1704	2.53				
2900	525	923	.41	1009	.57	1166	.91	1317	1.28	1464	1.71	1599	2.17	1723	2.66				
3100	561	974	.48	1056	.64	1206	1.00	1348	1.39	1488	1.82	1621	2.30	1744	2.80				
3300	597	1026	.55	1105	.73	1247	1.11	1382	1.51	1514	1.94	1643	2.42	1765	2.95				
3500	634	1079	.64	1154	.82	1290	1.22	1418	1.63	1543	2.07	1667	2.56	1787	3.09				
3700	670	1132	.73	1203	.92	1335	1.34	1457	1.77	1576	2.23	1694	2.72	1810	3.25				
3900	706	1185	.83	1254	1.04	1380	1.46	1498	1.92	1611	2.39	1723	2.88						
4100	742	1239	.95	1305	1.16	1426	1.60	1540	2.08	1649	2.57	1756	3.08						
4300	778	1293	1.07	1356	1.29	1473	1.75	1583	2.24	1688	2.76	1791	3.28						
4500	815	1346	1.21	1408	1.44	1522	1.91	1627	2.42	1729	2.96								
4700	851	1401	1.36	1460	1.59	1570	2.09	1672	2.61	1771	3.16								
4900	887	1456	1.52	1512	1.76	1619	2.27	1719	2.81										

Performance shown is for Installation Type B: Free inlet, Ducted outlet. Power rating (BHP) does not include drive losses. Performance ratings do not include the effects of appurtenances in the airstream. Model SQI-HP is not licensed to bear the AMCA Seal. **Shaded area indicates reinforced wheel.**

SQI-B



SQI-HP



Wheel Diameter - 21"
 Tip Speed (FPM) - 5.50 x RPM
 Maximum BHP
 SQI - 1.35 x (RPM/1000)
 SQI-HP - 0.77 x (RPM/1000)³
 Outlet Area = 6.41 FT²
 Outlet Velocity = CFM/6.41
 1140 RPM motor required below 540 RPM
 Reinforced wheel required above 1277 RPM

210 SQI-B

CFM	OV	0.125" SP		0.250" SP		0.500" SP		0.750" SP		1.000" SP		1.500" SP		2.000" SP		2.500" SP		3.000" SP	
		RPM	BHP	RPM	BHP	RPM	BHP	RPM	BHP	RPM	BHP	RPM	BHP	RPM	BHP	RPM	BHP	RPM	BHP
2900	452	512	.17	570	.25	682	.42	791	.62	889	.84								
3150	491	547	.21	600	.28	704	.47	806	.67	902	.90								
3400	530	582	.25	632	.33	729	.52	824	.73	916	.97								
3650	569	618	.29	664	.38	755	.58	844	.80	932	1.04	1094	1.59						
3900	608	655	.34	697	.43	783	.64	867	.87	949	1.12	1107	1.68						
4150	647	691	.40	731	.50	812	.71	891	.95	969	1.21	1121	1.77	1260	2.41				
4400	686	729	.47	765	.56	842	.79	917	1.04	991	1.30	1136	1.88	1272	2.53				
4650	725	766	.54	801	.64	873	.87	945	1.13	1015	1.41	1153	1.99	1286	2.65				
4900	764	803	.62	836	.73	905	.96	973	1.23	1040	1.51	1172	2.12	1301	2.79				
5150	803	841	.71	872	.82	937	1.06	1003	1.34	1067	1.63	1193	2.25	1317	2.93				
5400	842	880	.81	909	.92	970	1.17	1033	1.45	1094	1.76	1215	2.40	1334	3.09				
5650	881	918	.91	946	1.03	1004	1.29	1064	1.58	1123	1.89	1238	2.55	1353	3.26				
5900	920	955	1.03	982	1.15	1038	1.42	1096	1.72	1153	2.04	1263	2.71						
6150	959	993	1.15	1019	1.28	1073	1.56	1128	1.86	1183	2.19	1289	2.88						
6400	998	1032	1.29	1057	1.42	1107	1.70	1160	2.01	1213	2.35	1316	3.06						
6650	1037	1071	1.44	1095	1.58	1143	1.87	1193	2.18	1245	2.52	1344	3.25						
6900	1076	1110	1.60	1132	1.73	1178	2.03	1227	2.36	1276	2.70								
7150	1115	1148	1.77	1169	1.90	1215	2.22	1261	2.55	1309	2.90								
7400	1154	1187	1.95	1208	2.10	1251	2.41	1295	2.75	1341	3.11								
7650	1193	1226	2.14	1246	2.29	1287	2.62	1330	2.96										

210 SQI-HP

CFM	OV	0.250" SP		0.500" SP		1.000" SP		1.500" SP		2.000" SP		2.500" SP		3.000" SP		4.000" SP		5.000" SP	
		RPM	BHP	RPM	BHP	RPM	BHP	RPM	BHP	RPM	BHP	RPM	BHP	RPM	BHP	RPM	BHP	RPM	BHP
2300	358	672	.23	782	.37	967	.69	1140	1.07										
2450	382	703	.26	806	.40	985	.73	1150	1.12	1305	1.55								
2600	405	734	.29	831	.44	1005	.78	1162	1.18	1313	1.62								
2750	429	767	.33	856	.48	1027	.83	1176	1.23	1322	1.69	1459	2.17						
2900	452	799	.37	883	.53	1050	.89	1194	1.30	1333	1.76	1468	2.26	1593	2.78				
3050	475	831	.41	911	.58	1073	.95	1213	1.37	1346	1.83	1477	2.34	1601	2.88				
3200	499	865	.46	940	.63	1097	1.02	1233	1.44	1361	1.91	1487	2.43	1609	2.98				
3350	522	898	.52	971	.69	1121	1.08	1255	1.52	1378	2.00	1499	2.52	1618	3.08				
3500	546	931	.57	1002	.75	1145	1.15	1278	1.61	1397	2.09	1513	2.62	1629	3.19				
3650	569	965	.63	1033	.82	1170	1.23	1301	1.70	1418	2.19	1530	2.73						
3800	592	998	.70	1065	.89	1195	1.31	1325	1.79	1439	2.30	1548	2.84						
3950	616	1032	.77	1097	.97	1221	1.40	1349	1.89	1462	2.41	1567	2.96						
4100	639	1066	.84	1130	1.05	1248	1.49	1373	1.99	1484	2.52	1588	3.08						
4250	663	1100	.92	1162	1.14	1277	1.59	1397	2.10	1508	2.64	1609	3.21						
4400	686	1134	1.00	1195	1.23	1305	1.69	1421	2.21	1532	2.77								
4550	709	1169	1.10	1228	1.33	1335	1.81	1446	2.33	1555	2.89								
4700	733	1203	1.19	1261	1.43	1365	1.92	1472	2.45	1580	3.03								
4850	756	1238	1.30	1294	1.54	1396	2.04	1498	2.58	1604	3.17								
5000	780	1272	1.40	1328	1.65	1427	2.17	1525	2.72										

Performance shown is for Installation Type B: Free inlet, Ducted outlet. Power rating (BHP) does not include drive losses. Performance ratings do not include the effects of appurtenances in the airstream. Model SQI-HP is not licensed to bear the AMCA Seal. **Shaded area indicates reinforced wheel.**

225 SQI-B/SQI-HP Data

Wheel Diameter - 22.5"
 Tip Speed (FPM) - 5.89 x RPM
 Maximum BHP

SQI - 1.90 x (RPM/1000)
 SQI-HP - 1.13 x (RPM/1000)³

Outlet Area = 7.34 FT²

Outlet Velocity = CFM/7.34

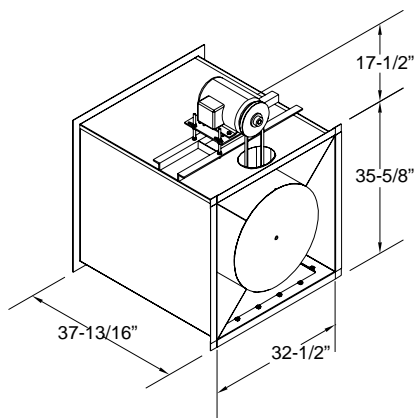
1140 RPM motor required below

540 RPM

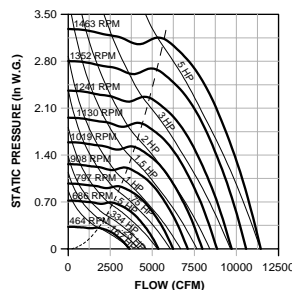
Reinforced wheel required above:

SQI - 1152 RPM

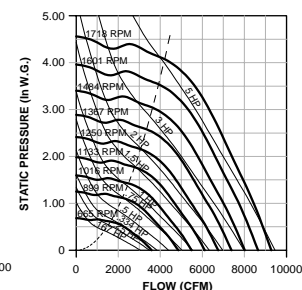
SQI-HP - 1500 RPM



SQI-B



SQI-HP



225 SQI-B

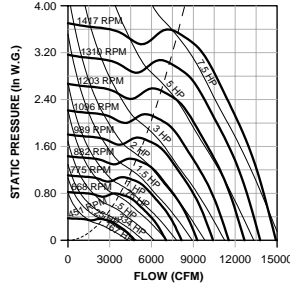
CFM	OV	0.125" SP		0.250" SP		0.500" SP		0.750" SP		1.000" SP		1.500" SP		2.000" SP		2.500" SP		3.000" SP	
		RPM	BHP	RPM	BHP	RPM	BHP	RPM	BHP	RPM	BHP	RPM	BHP	RPM	BHP	RPM	BHP	RPM	BHP
3200	435	464	.18	520	.27	628	.46	732	.69										
3600	490	508	.23	559	.33	656	.53	751	.77	840	1.03								
4000	544	555	.30	600	.40	688	.62	775	.87	859	1.14	1014	1.75						
4400	599	602	.38	642	.48	724	.72	803	.98	881	1.26	1029	1.89						
4800	653	650	.47	686	.58	761	.83	834	1.10	907	1.40	1048	2.05	1177	2.78				
5200	708	698	.58	731	.69	801	.95	869	1.25	936	1.55	1068	2.22	1194	2.98	1310	3.79		
5600	762	747	.70	777	.82	842	1.10	906	1.40	968	1.73	1092	2.42	1212	3.18	1325	4.03		
6000	817	796	.85	825	.98	884	1.26	944	1.57	1003	1.92	1119	2.64	1233	3.42	1343	4.28	1446	5.20
6400	871	846	1.01	872	1.15	927	1.44	984	1.77	1040	2.13	1149	2.88	1257	3.68	1363	4.56	1463	5.49
6800	926	895	1.19	920	1.34	972	1.65	1025	1.98	1078	2.35	1181	3.14	1283	3.96	1384	4.85		
7200	980	945	1.40	969	1.55	1017	1.87	1067	2.22	1117	2.60	1215	3.41	1312	4.27	1408	5.18		
7600	1035	995	1.63	1017	1.79	1063	2.12	1110	2.48	1158	2.87	1251	3.71	1343	4.60				
8000	1089	1046	1.89	1066	2.05	1109	2.39	1154	2.77	1199	3.17	1289	4.04	1376	4.96				
8400	1144	1096	2.17	1115	2.33	1156	2.69	1198	3.08	1241	3.49	1327	4.38	1411	5.34				
8800	1198	1146	2.47	1165	2.65	1203	3.02	1243	3.42	1284	3.84	1367	4.76						
9200	1253	1196	2.81	1215	3.00	1252	3.39	1289	3.79	1328	4.22	1407	5.16						
9600	1307	1246	3.17	1264	3.36	1299	3.76	1335	4.19	1372	4.63								
10000	1362	1295	3.55	1313	3.76	1348	4.19	1382	4.62	1417	5.08								
10400	1416	1346	3.98	1363	4.20	1397	4.64	1429	5.08										

225 SQI-HP

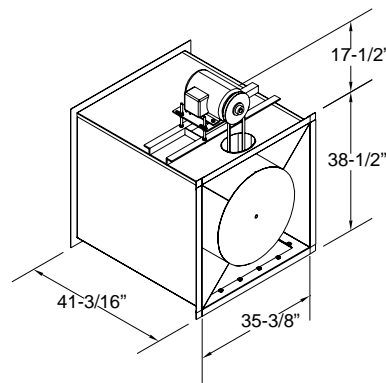
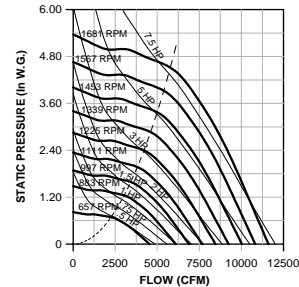
CFM	OV	0.250" SP		0.500" SP		1.000" SP		1.500" SP		2.000" SP		2.500" SP		3.000" SP		4.000" SP		5.000" SP	
		RPM	BHP	RPM	BHP	RPM	BHP	RPM	BHP	RPM	BHP	RPM	BHP	RPM	BHP	RPM	BHP	RPM	BHP
3000	408	665	.32	757	.49	917	.87	1067	1.31	1206	1.79								
3250	442	703	.37	793	.55	943	.95	1085	1.41	1219	1.91								
3500	476	742	.43	829	.63	973	1.05	1106	1.51	1234	2.03	1355	2.58						
3750	510	782	.50	866	.71	1004	1.15	1130	1.63	1253	2.17	1369	2.73	1481	3.34				
4000	544	823	.58	904	.80	1037	1.26	1157	1.76	1274	2.31	1386	2.90	1494	3.52				
4250	579	864	.66	941	.89	1072	1.38	1187	1.90	1297	2.46	1405	3.07	1509	3.70	1706	5.07		
4500	613	906	.76	979	1.00	1108	1.52	1218	2.05	1323	2.63	1426	3.24	1527	3.90	1718	5.29		
4750	647	949	.87	1018	1.12	1144	1.66	1250	2.21	1352	2.81	1450	3.44	1547	4.11				
5000	681	992	.98	1057	1.24	1180	1.80	1284	2.39	1382	3.00	1476	3.64	1569	4.33				
5250	715	1035	1.11	1097	1.38	1217	1.96	1319	2.57	1413	3.20	1504	3.87	1593	4.56				
5500	749	1079	1.25	1138	1.53	1254	2.14	1355	2.77	1446	3.42	1534	4.10	1619	4.81				
5750	783	1123	1.40	1178	1.69	1292	2.32	1391	2.98	1480	3.66	1565	4.35	1647	5.08				
6000	817	1166	1.56	1220	1.87	1329	2.52	1427	3.20	1514	3.90	1597	4.62	1677	5.36				
6250	851	1211	1.75	1262	2.06	1367	2.73	1464	3.43	1550	4.16	1630	4.90						
6500	885	1256	1.94	1304	2.26	1405	2.95	1501	3.68	1586	4.43	1664	5.19						
6750	919	1301	2.15	1347	2.48	1444	3.19	1538	3.94	1622	4.71	1699	5.50						
7000	953	1345	2.37	1390	2.71	1483	3.44	1576	4.22	1659	5.02								
7250	987	1389	2.60	1433	2.95	1523	3.71	1613	4.51	1696	5.34								
7500	1021	1433	2.85	1477	3.22	1563	3.99	1651	4.82										

Performance shown is for Installation Type B: Free inlet, Ducted outlet. Power rating (BHP) does not include drive losses. Performance ratings do not include the effects of appurtenances in the airstream. Model SQI-HP is not licensed to bear the AMCA Seal. **Shaded area indicates reinforced wheel.**

SQI-B



SQI-HP



Wheel Diameter - 24.5"
 Tip Speed (FPM) - 6.41 x RPM
 Maximum BHP
 SQI - 2.99 x (RPM/1000)
 SQI-HP - 1.74 x (RPM/1000)³
 Outlet Area = 8.69 FT²
 Outlet Velocity = CFM/8.69
 1140 RPM motor required below 530 RPM
 Reinforced wheel required above:
 SQI - 1015 RPM
 SQI-HP - 1185 RPM

245 SQI-B

CFM	OV	0.125" SP		0.250" SP		0.500" SP		0.750" SP		1.000" SP		1.500" SP		2.000" SP		2.500" SP		3.000" SP		
		RPM	BHP	RPM	BHP	RPM	BHP	RPM	BHP	RPM	BHP	RPM	BHP	RPM	BHP	RPM	BHP	RPM	BHP	
4300	494	451	.26	499	.37	587	.60	671	.86	756	1.17									
4800	552	494	.34	536	.45	619	.71	692	.98	770	1.29									
5300	609	538	.43	574	.55	652	.83	721	1.12	788	1.43	927	2.17							
5800	667	582	.53	615	.66	686	.95	753	1.28	814	1.60	940	2.34							
6300	724	628	.66	657	.80	721	1.10	786	1.45	844	1.79	957	2.54	1075	3.42					
6800	782	673	.81	700	.95	758	1.27	819	1.63	876	2.01	980	2.78	1089	3.65	1195	4.64			
7300	840	719	.98	743	1.13	796	1.46	854	1.84	909	2.24	1008	3.05	1106	3.92	1209	4.92			
7800	897	765	1.17	788	1.33	836	1.68	890	2.07	943	2.49	1039	3.35	1129	4.24	1223	5.22	1319	6.33	
8300	955	811	1.38	832	1.55	877	1.92	927	2.33	977	2.76	1071	3.67	1157	4.60	1242	5.58	1333	6.69	
8800	1012	858	1.63	878	1.81	919	2.19	965	2.61	1012	3.05	1104	4.01	1187	4.99	1266	5.99	1349	7.08	
9300	1070	905	1.91	922	2.08	962	2.49	1004	2.92	1049	3.38	1137	4.37	1219	5.41	1294	6.44	1370	7.53	
9800	1127	951	2.20	969	2.40	1005	2.82	1045	3.27	1086	3.73	1171	4.76	1251	5.85	1325	6.94	1396	8.05	
10300	1185	998	2.54	1015	2.75	1049	3.18	1085	3.63	1124	4.12	1206	5.18	1284	6.31	1356	7.45			
10800	1242	1044	2.90	1060	3.11	1093	3.57	1128	4.05	1164	4.55	1241	5.62	1318	6.81	1389	8.01			
11300	1300	1090	3.28	1106	3.52	1137	3.99	1170	4.49	1205	5.01	1278	6.12	1352	7.33					
11800	1357	1137	3.72	1152	3.96	1183	4.47	1214	4.98	1246	5.51	1315	6.64	1386	7.87					
12300	1415	1183	4.18	1199	4.45	1228	4.97	1257	5.49	1288	6.05	1353	7.20							
12800	1472	1230	4.69	1246	4.99	1273	5.50	1301	6.05	1330	6.61	1392	7.81							
13300	1530	1278	5.25	1293	5.56	1318	6.07	1346	6.66	1373	7.23									
13800	1588	1325	5.85	1340	6.17	1364	6.71	1390	7.29	1417	7.90									

245 SQI-HP

CFM	OV	0.250" SP		0.500" SP		1.000" SP		1.500" SP		2.000" SP		2.500" SP		3.000" SP		4.000" SP		5.000" SP		
		RPM	BHP	RPM	BHP	RPM	BHP	RPM	BHP	RPM	BHP	RPM	BHP	RPM	BHP	RPM	BHP	RPM	BHP	
3900	448	657	.46	735	.68	877	1.17	1002	1.72	1121	2.35									
4200	483	696	.55	769	.77	904	1.29	1025	1.86	1137	2.49									
4500	517	734	.64	805	.88	933	1.42	1050	2.01	1157	2.65	1260	3.36							
4800	552	774	.74	841	.99	963	1.56	1076	2.17	1179	2.82	1277	3.54	1374	4.33					
5100	586	814	.85	878	1.12	994	1.70	1104	2.35	1204	3.02	1298	3.75	1390	4.54					
5400	621	853	.97	915	1.26	1027	1.87	1132	2.53	1230	3.23	1321	3.98	1409	4.78					
5700	655	894	1.11	953	1.41	1061	2.05	1161	2.73	1257	3.46	1346	4.22	1431	5.04	1595	6.82			
6000	690	935	1.26	992	1.58	1095	2.23	1192	2.95	1285	3.70	1372	4.48	1454	5.31	1611	7.10			
6300	724	975	1.42	1030	1.76	1130	2.44	1224	3.18	1313	3.95	1399	4.76	1480	5.61	1631	7.42			
6600	759	1016	1.60	1070	1.96	1166	2.66	1256	3.42	1343	4.22	1426	5.05	1506	5.93	1653	7.76			
6900	794	1058	1.80	1109	2.17	1202	2.90	1290	3.68	1373	4.50	1454	5.36	1532	6.26	1677	8.14			
7200	828	1099	2.01	1149	2.40	1240	3.16	1324	3.96	1405	4.81	1483	5.69	1560	6.62					
7500	863	1140	2.23	1189	2.64	1277	3.43	1359	4.26	1437	5.13	1513	6.03	1588	6.99					
7800	897	1182	2.48	1228	2.89	1315	3.73	1394	4.57	1470	5.46	1544	6.40	1617	7.38					
8100	932	1224	2.75	1269	3.18	1353	4.04	1430	4.91	1504	5.82	1576	6.78	1646	7.77					
8400	966	1266	3.03	1310	3.48	1391	4.37	1467	5.27	1539	6.21	1608	7.18	1677	8.21					
8700	1001	1308	3.33	1350	3.79	1430	4.72	1504	5.65	1573	6.60	1641	7.60							
9000	1035	1349	3.64	1391	4.13	1469	5.09	1541	6.05	1609	7.03	1675	8.05							
9300	1070	1391	3.98	1433	4.50	1508	5.48	1579	6.48	1645	7.48									
9600	1104	1434	4.36	1474	4.88	1548	5.90	1616	6.91	1681	7.94									

Performance shown is for Installation Type B: Free inlet, Ducted outlet. Power rating (BHP) does not include drive losses. Performance ratings do not include the effects of appurtenances in the airstream. Model SQI-HP is not licensed to bear the AMCA Seal. **Shaded area indicates reinforced wheel.**

270 SQI-B/SQI-HP Data

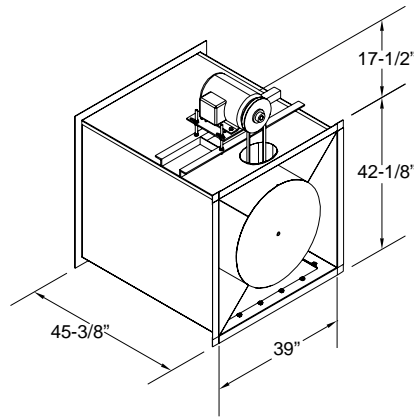
Wheel Diameter - 27"
 Tip Speed (FPM) - 7.07 x RPM
 Maximum BHP

SQI - 4.85 x (RPM/1000)
 SQI-HP - 2.80 x (RPM/1000)³

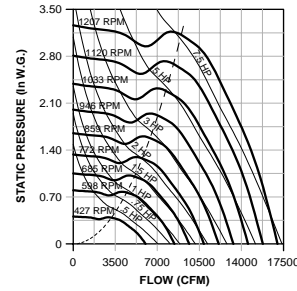
Outlet Area - 10.56 FT²
 Outlet Velocity - CFM x .0947

1140 RPM motor required below
 465 RPM

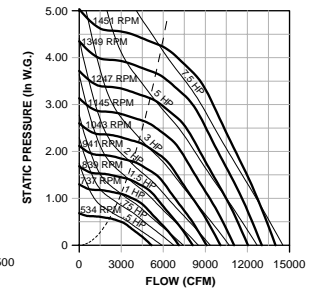
Reinforced wheel required above:
 SQI - 876 RPM
 SQI-HP - 1025 RPM



SQI-B



SQI-HP



270 SQI-B

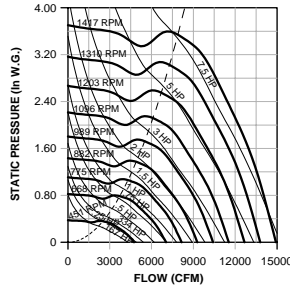
CFM	OV	0.125" SP		0.250" SP		0.500" SP		0.750" SP		1.000" SP		1.500" SP		2.000" SP		2.500" SP		3.000" SP	
		RPM	BHP	RPM	BHP	RPM	BHP	RPM	BHP	RPM	BHP	RPM	BHP	RPM	BHP	RPM	BHP	RPM	BHP
5500	520	427	.36	468	.49	546	.79	617	1.11	691	1.48								
6000	568	459	.44	496	.58	570	.90	635	1.23	702	1.61								
6500	615	492	.53	525	.68	595	1.02	657	1.37	717	1.75	842	2.65						
7000	662	525	.64	555	.79	620	1.15	681	1.53	737	1.93	852	2.82						
7500	710	559	.76	586	.92	646	1.29	706	1.71	759	2.12	864	3.02	972	4.08				
8000	757	593	.90	618	1.07	674	1.46	731	1.89	783	2.33	880	3.25	982	4.30				
8500	804	627	1.06	650	1.24	702	1.64	756	2.08	807	2.55	899	3.50	994	4.56	1089	5.76		
9000	852	662	1.24	683	1.42	731	1.84	782	2.29	832	2.79	921	3.78	1008	4.85	1100	6.06	1187	7.38
9500	899	696	1.43	716	1.62	760	2.05	809	2.53	857	3.04	944	4.08	1025	5.16	1111	6.37	1197	7.70
10000	946	730	1.64	750	1.85	791	2.29	836	2.78	882	3.30	968	4.41	1046	5.52	1125	6.73	1207	8.05
10500	994	765	1.88	784	2.10	822	2.56	865	3.06	909	3.60	993	4.75	1068	5.90	1142	7.12		
11000	1041	800	2.14	817	2.36	854	2.85	894	3.36	935	3.90	1018	5.11	1092	6.32	1162	7.56		
11500	1089	835	2.43	851	2.66	886	3.16	923	3.68	963	4.24	1043	5.48	1116	6.75	1184	8.03		
12000	1136	870	2.74	886	2.98	918	3.49	954	4.04	991	4.61	1068	5.86	1140	7.19				
12500	1183	905	3.08	920	3.33	951	3.85	984	4.40	1020	5.00	1094	6.28	1165	7.66				
13000	1231	939	3.43	954	3.69	985	4.25	1016	4.82	1050	5.43	1120	6.72	1190	8.15				
13500	1278	974	3.81	988	4.08	1017	4.65	1047	5.24	1079	5.86	1147	7.20						
14000	1325	1008	4.21	1022	4.50	1051	5.11	1080	5.72	1110	6.35	1175	7.71						
14500	1373	1043	4.66	1058	4.98	1085	5.59	1112	6.21	1141	6.86	1202	8.23						
15000	1420	1078	5.14	1093	5.48	1119	6.10	1145	6.74	1173	7.42								
15500	1467	1113	5.65	1128	6.01	1152	6.63	1178	7.30	1204	7.98								

270 SQI-HP

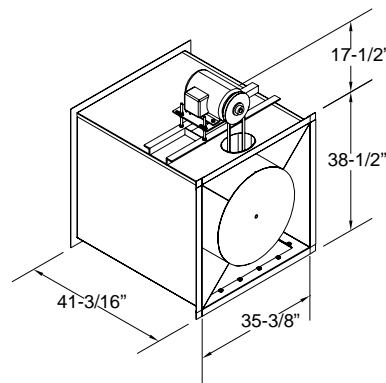
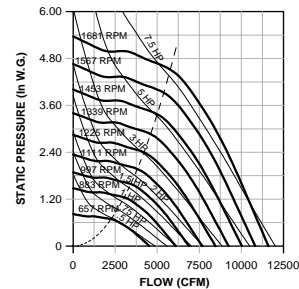
CFM	OV	0.250" SP		0.500" SP		1.000" SP		1.500" SP		2.000" SP		2.500" SP		3.000" SP		4.000" SP		5.000" SP	
		RPM	BHP	RPM	BHP	RPM	BHP	RPM	BHP	RPM	BHP	RPM	BHP	RPM	BHP	RPM	BHP	RPM	BHP
4200	397	534	.40	616	.65	755	1.19	885	1.84	1000	2.54								
4550	430	564	.47	643	.73	772	1.29	899	1.95	1010	2.69								
4900	464	594	.54	671	.82	793	1.40	914	2.09	1024	2.85	1123	3.65						
5250	497	625	.63	699	.92	818	1.53	929	2.22	1038	3.01	1135	3.85	1227	4.73				
5600	530	656	.72	728	1.03	844	1.67	947	2.37	1053	3.18	1149	4.04	1238	4.96				
5950	563	688	.82	756	1.15	871	1.82	968	2.54	1068	3.36	1164	4.25	1252	5.20	1414	7.18		
6300	596	721	.94	786	1.28	899	1.99	992	2.73	1084	3.55	1178	4.46	1266	5.44	1424	7.49		
6650	629	753	1.06	815	1.42	927	2.17	1018	2.94	1104	3.77	1194	4.70	1281	5.69	1437	7.81		
7000	662	787	1.20	846	1.57	955	2.36	1045	3.16	1126	4.00	1210	4.93	1295	5.94	1451	8.13		
7350	696	820	1.34	877	1.74	983	2.56	1072	3.40	1151	4.26	1229	5.19	1310	6.21				
7700	729	854	1.51	908	1.91	1011	2.77	1100	3.65	1177	4.54	1251	5.49	1327	6.51				
8050	762	888	1.68	939	2.10	1040	3.00	1127	3.91	1204	4.84	1275	5.80	1347	6.84				
8400	795	922	1.87	971	2.31	1068	3.23	1155	4.19	1231	5.15	1300	6.13	1368	7.18				
8750	828	956	2.08	1004	2.53	1098	3.50	1183	4.48	1259	5.48	1327	6.50	1392	7.55				
9100	861	991	2.30	1036	2.76	1127	3.76	1212	4.79	1286	5.82	1354	6.88	1417	7.95				
9450	894	1026	2.54	1070	3.03	1157	4.05	1240	5.11	1314	6.18	1381	7.27						
9800	928	1061	2.80	1103	3.30	1187	4.35	1268	5.44	1342	6.56	1409	7.68						
10150	961	1095	3.07	1136	3.58	1218	4.67	1297	5.80	1370	6.95	1436	8.10						
10500	994	1130	3.36	1170	3.89	1249	5.01	1326	6.17	1398	7.36								
10850	1027	1164	3.66	1204	4.22	1280	5.37	1356	6.57	1427	7.80								

Performance shown is for Installation Type B: Free inlet, Ducted outlet. Power rating (BHP) does not include drive losses. Performance ratings do not include the effects of appurtenances in the airstream. Model SQI-HP is not licensed to bear the AMCA Seal. **Shaded area indicates reinforced wheel.**

SQI-B



SQI-HP



Wheel Diameter - 30"
 Tip Speed (FPM) - 7.85 x RPM
 Maximum BHP
 SQI - 8.22 x (RPM/1000)
 SQI-HP - 4.94 x (RPM/1000)³
 Outlet Area = 13.10 FT²
 Outlet Velocity = CFM/13.10
1140 RPM motor required below 415 RPM
Reinforced wheel required above:
 SQI - 837 RPM
 SQI-HP - 980 RPM

300 SQI-B

CFM	OV	0.125" SP		0.250" SP		0.500" SP		0.750" SP		1.000" SP		1.500" SP		2.000" SP		2.500" SP		3.000" SP	
		RPM	BHP	RPM	BHP	RPM	BHP	RPM	BHP	RPM	BHP	RPM	BHP	RPM	BHP	RPM	BHP	RPM	BHP
7000	535	394	.47	429	.64	499	1.02	560	1.42	626	1.89								
7500	573	418	.56	450	.73	516	1.13	575	1.55	634	2.01								
8000	612	442	.65	471	.83	535	1.25	591	1.69	645	2.16	758	3.27						
8500	650	466	.75	493	.94	553	1.38	608	1.85	659	2.33	765	3.43						
9000	688	491	.88	516	1.07	572	1.52	626	2.02	675	2.52	773	3.62	872	4.93				
9500	726	515	1.00	539	1.21	591	1.67	644	2.19	691	2.71	783	3.83	879	5.15				
10000	765	540	1.15	562	1.36	611	1.83	662	2.37	709	2.93	795	4.06	886	5.37	974	6.86		
10500	803	565	1.31	586	1.53	632	2.02	681	2.57	727	3.16	810	4.33	895	5.64	981	7.13		
11000	841	590	1.48	610	1.72	653	2.22	699	2.77	745	3.39	825	4.60	905	5.92	988	7.40		
11500	879	615	1.67	634	1.91	675	2.44	719	3.01	763	3.63	842	4.90	917	6.23	996	7.71		
12000	918	640	1.87	658	2.13	697	2.67	739	3.25	781	3.88	859	5.21	931	6.56	1005	8.04		
12500	956	665	2.10	683	2.36	719	2.91	759	3.51	800	4.16	877	5.54	947	6.94				
13000	994	691	2.35	707	2.61	742	3.18	780	3.80	819	4.45	895	5.89	963	7.32				
13500	1032	716	2.60	732	2.88	765	3.47	801	4.09	839	4.77	913	6.24	980	7.73				
14000	1071	742	2.89	756	3.16	788	3.77	823	4.42	859	5.10	931	6.60	997	8.15				
14500	1109	767	3.18	781	3.47	812	4.10	844	4.75	879	5.45	950	7.00						
15000	1147	792	3.50	806	3.80	835	4.43	867	5.12	900	5.83	968	7.38						
15500	1185	818	3.84	832	4.16	860	4.81	889	5.49	921	6.23	987	7.81						
16000	1224	843	4.20	856	4.52	884	5.20	912	5.90	943	6.66	1006	8.24						
16500	1262	868	4.57	881	4.91	908	5.61	935	6.33	964	7.09								
17000	1300	893	4.97	906	5.32	932	6.04	958	6.78	987	7.57								

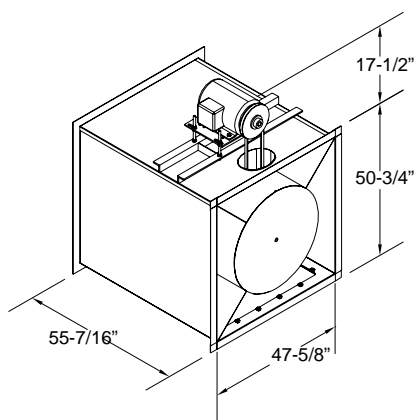
300 SQI-HP

CFM	OV	0.250" SP		0.500" SP		1.000" SP		1.500" SP		2.000" SP		2.500" SP		3.000" SP		4.000" SP		5.000" SP	
		RPM	BHP	RPM	BHP	RPM	BHP	RPM	BHP	RPM	BHP	RPM	BHP	RPM	BHP	RPM	BHP	RPM	BHP
5700	436	506	.61	573	.93	691	1.63	801	2.46	904	3.41								
6050	462	528	.68	592	1.02	706	1.74	812	2.60	911	3.56								
6400	489	552	.77	612	1.12	723	1.87	824	2.74	920	3.71	1011	4.78						
6750	516	575	.86	633	1.23	740	2.01	837	2.89	930	3.88	1019	4.98						
7100	543	599	.96	654	1.34	758	2.15	851	3.05	941	4.05	1027	5.16	1109	6.34				
7450	570	623	1.07	676	1.47	777	2.32	867	3.23	953	4.24	1037	5.36	1117	6.57				
7800	596	648	1.19	698	1.60	796	2.48	883	3.41	966	4.44	1048	5.58	1126	6.80				
8150	623	672	1.32	721	1.75	815	2.66	901	3.62	981	4.66	1059	5.80	1136	7.04				
8500	650	697	1.46	744	1.91	834	2.84	919	3.84	996	4.89	1072	6.05	1146	7.29				
8850	677	722	1.61	767	2.07	854	3.04	937	4.06	1012	5.13	1085	6.30	1158	7.57				
9200	703	747	1.77	790	2.24	875	3.26	955	4.30	1029	5.40	1100	6.58	1170	7.85				
9550	730	772	1.94	814	2.43	896	3.48	974	4.55	1047	5.68	1116	6.88	1183	8.15				
9900	757	798	2.13	838	2.63	917	3.71	993	4.81	1065	5.97	1132	7.19						
10250	784	823	2.33	862	2.85	938	3.94	1013	5.10	1083	6.28	1149	7.51						
10600	811	848	2.53	886	3.07	960	4.20	1033	5.39	1102	6.60	1167	7.87						
10950	837	873	2.75	911	3.31	982	4.47	1053	5.69	1121	6.94	1185	8.23						
11300	864	899	2.99	935	3.56	1005	4.76	1073	6.00	1140	7.29								
11650	891	925	3.25	959	3.82	1027	5.04	1094	6.33	1159	7.64								
12000	918	951	3.52	985	4.12	1050	5.36	1115	6.68	1179	8.03								
12350	944	977	3.80	1009	4.40	1073	5.68	1137	7.04										

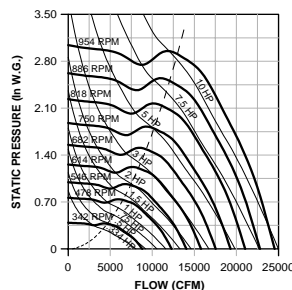
Performance shown is for Installation Type B: Free inlet, Ducted outlet. Power rating (BHP) does not include drive losses. Performance ratings do not include the effects of appurtenances in the airstream. Model SQI-HP is not licensed to bear the AMCA Seal. **Shaded area indicates reinforced wheel.**

330 SQI-B/SQI-HP Data

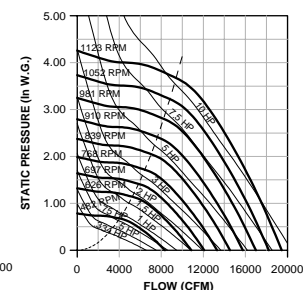
Wheel Diameter - 33"
Tip Speed (FPM) - 8.64 x RPM
Maximum BHP
 SQI - 13.2 x (RPM/1000)
 SQI-HP - 7.86 x (RPM/1000)³
Outlet Area = 15.75 FT²
Outlet Velocity = CFM/15.75
1140 RPM motor required below 400 RPM
Reinforced wheel required above:
 SQI - 716 RPM
 SQI-HP - 830 RPM



SQI-B



SQI-HP



330 SQI-B

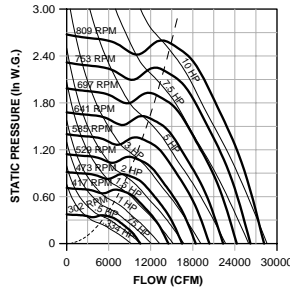
CFM	OV	0.125" SP		0.250" SP		0.500" SP		0.750" SP		1.000" SP		1.500" SP		2.000" SP		2.500" SP		3.000" SP	
		RPM	BHP	RPM	BHP	RPM	BHP	RPM	BHP	RPM	BHP	RPM	BHP	RPM	BHP	RPM	BHP	RPM	BHP
8000	507	342	.50	376	.69	441	1.13	501	1.61	564	2.18								
8750	555	368	.61	399	.82	461	1.30	515	1.78	572	2.35								
9500	603	395	.75	423	.97	481	1.47	533	2.00	583	2.55	687	3.89						
10250	650	422	.90	447	1.13	502	1.66	552	2.22	598	2.80	695	4.14						
11000	698	450	1.08	473	1.33	523	1.87	572	2.47	616	3.08	704	4.41	794	6.02				
11750	746	478	1.29	499	1.54	545	2.10	592	2.73	635	3.39	716	4.74	802	6.34				
12500	793	506	1.52	525	1.78	568	2.37	613	3.02	655	3.72	732	5.13	811	6.71	889	8.49		
13250	841	534	1.77	552	2.05	592	2.66	634	3.33	675	4.06	749	5.54	822	7.13	898	8.93		
14000	888	562	2.05	579	2.35	616	2.98	656	3.67	696	4.44	768	5.99	836	7.60	907	9.39		
14750	936	590	2.36	607	2.68	641	3.33	679	4.05	717	4.83	787	6.45	852	8.12	918	9.91		
15500	984	619	2.72	634	3.03	667	3.73	702	4.46	738	5.25	808	6.97	870	8.68	931	10.50		
16250	1031	648	3.11	662	3.43	692	4.13	725	4.89	760	5.71	828	7.49	889	9.29				
17000	1079	676	3.52	690	3.86	719	4.60	750	5.38	783	6.22	848	8.03	908	9.90				
17750	1126	705	3.98	718	4.33	745	5.08	775	5.90	806	6.76	869	8.61	929	10.60				
18500	1174	734	4.48	746	4.84	772	5.62	800	6.46	829	7.32	890	9.22						
19250	1222	762	4.99	775	5.40	799	6.19	826	7.06	853	7.94	912	9.89						
20000	1269	790	5.55	802	5.96	827	6.82	851	7.68	878	8.62	934	10.60						
20750	1317	819	6.16	830	6.57	854	7.47	878	8.38	903	9.32								
21500	1365	847	6.80	859	7.27	882	8.19	904	9.10	928	10.10								
22250	1412	876	7.51	888	8.01	909	8.92	931	9.88	954	10.90								

330 SQI-HP

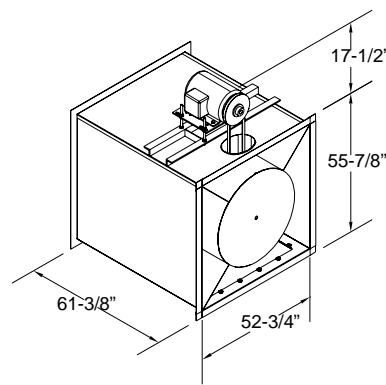
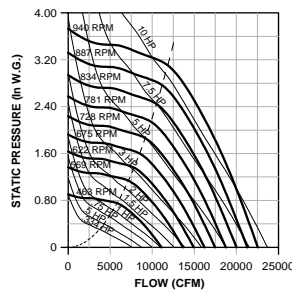
CFM	OV	0.250" SP		0.500" SP		1.000" SP		1.500" SP		2.000" SP		2.500" SP		3.000" SP		4.000" SP		5.000" SP	
		RPM	BHP	RPM	BHP	RPM	BHP	RPM	BHP	RPM	BHP	RPM	BHP	RPM	BHP	RPM	BHP	RPM	BHP
7200	457	482	.81	541	1.22	646	2.12	741	3.14	833	4.33								
7650	485	504	.92	561	1.34	662	2.29	753	3.33	841	4.52								
8100	514	527	1.04	582	1.48	679	2.46	767	3.53	850	4.72	932	6.07						
8550	542	550	1.17	603	1.63	697	2.66	782	3.76	862	4.97	940	6.31						
9000	571	573	1.31	624	1.80	716	2.87	798	4.00	875	5.23	949	6.57	1023	8.06				
9450	600	597	1.47	645	1.97	734	3.07	814	4.25	889	5.51	961	6.87	1031	8.35				
9900	628	621	1.64	667	2.16	754	3.31	831	4.52	904	5.81	973	7.18	1041	8.67				
10350	657	645	1.83	689	2.36	773	3.54	849	4.81	920	6.13	987	7.52	1052	9.01				
10800	685	669	2.03	712	2.59	793	3.79	867	5.10	936	6.46	1001	7.87	1065	9.41				
11250	714	693	2.24	735	2.83	813	4.06	886	5.42	953	6.82	1017	8.27	1078	9.80				
11700	742	718	2.48	757	3.07	834	4.35	905	5.75	971	7.20	1033	8.68	1093	10.20				
12150	771	743	2.73	781	3.35	855	4.66	924	6.08	988	7.57	1049	9.10	1108	10.70				
12600	800	767	2.99	804	3.63	876	4.98	944	6.45	1007	7.99	1066	9.54						
13050	828	791	3.27	828	3.94	898	5.33	963	6.81	1025	8.39	1084	10.00						
13500	857	816	3.57	852	4.27	919	5.68	984	7.22	1044	8.83	1102	10.50						
13950	885	842	3.91	875	4.60	941	6.07	1004	7.62	1064	9.30	1120	11.00						
14400	914	867	4.26	899	4.97	963	6.47	1025	8.07	1083	9.76								
14850	942	892	4.62	923	5.35	986	6.91	1046	8.53	1103	10.30								
15300	971	917	5.00	948	5.77	1008	7.34	1067	9.01	1123	10.80								
15750	1000	942	5.41	972	6.19	1031	7.82	1088	9.50										

Performance shown is for Installation Type B: Free inlet, Ducted outlet. Power rating (BHP) does not include drive losses. Performance ratings do not include the effects of appurtenances in the airstream. Model SQI-HP is not licensed to bear the AMCA Seal. **Shaded area indicates reinforced wheel.**

SQI-B



SQI-HP



Wheel Diameter - 36.5"
 Tip Speed (FPM) - 9.56 x RPM
 Maximum BHP
 SQI - 21.9 x (RPM/1000)
 SQI-HP - 13.5 x (RPM/1000)³
 Outlet Area = 19.32 FT²
 Outlet Velocity = CFM/19.32
 1140 RPM motor required below 340 RPM
 Reinforced wheel required above:
 SQI - 624 RPM
 SQI-HP - 735 RPM

365 SQI-B

CFM	OV	0.125" SP		0.250" SP		0.500" SP		0.750" SP		1.000" SP		1.500" SP		2.000" SP		2.500" SP		3.000" SP	
		RPM	BHP	RPM	BHP	RPM	BHP	RPM	BHP	RPM	BHP	RPM	BHP	RPM	BHP	RPM	BHP	RPM	BHP
9500	491	302	.57	334	.81	393	1.33	450	1.91	507	2.59								
10300	533	322	.69	352	.94	409	1.50	460	2.09	514	2.78								
11100	574	343	.82	370	1.08	424	1.67	472	2.29	521	2.97								
11900	615	365	.98	389	1.24	441	1.87	487	2.53	531	3.21	623	4.85						
12700	657	386	1.14	408	1.42	457	2.07	502	2.77	544	3.50	630	5.13						
13500	698	408	1.34	428	1.63	474	2.30	518	3.04	558	3.80	637	5.42	718	7.37				
14300	740	430	1.55	449	1.86	491	2.55	534	3.32	573	4.12	647	5.79	724	7.71				
15100	781	452	1.79	470	2.12	509	2.82	550	3.62	589	4.48	658	6.16	731	8.10	803	10.30		
15900	822	474	2.06	491	2.40	528	3.13	567	3.95	604	4.82	672	6.61	739	8.52	809	10.70		
16700	864	496	2.34	512	2.70	547	3.46	584	4.30	620	5.20	686	7.06	749	9.00				
17500	905	518	2.65	534	3.04	566	3.82	601	4.67	637	5.62	701	7.54	761	9.54				
18300	947	541	3.01	555	3.39	586	4.21	619	5.08	653	6.04	717	8.07	774	10.10				
19100	988	563	3.38	577	3.78	606	4.62	638	5.54	670	6.50	733	8.62	789	10.70				
19900	1030	586	3.80	599	4.21	627	5.09	656	6.00	688	7.01	749	9.18						
20700	1071	609	4.26	621	4.66	647	5.56	675	6.50	705	7.52	765	9.76						
21500	1112	631	4.73	643	5.16	668	6.08	695	7.06	723	8.08	781	10.40						
22300	1154	654	5.25	666	5.71	689	6.63	715	7.65	742	8.70	798	11.00						
23100	1195	676	5.78	688	6.27	711	7.24	735	8.27	761	9.35								
23900	1237	699	6.37	710	6.86	732	7.86	755	8.91	780	10.00								
24700	1278	721	6.98	732	7.49	753	8.51	776	9.63	799	10.70								

365 SQI-HP

CFM	OV	0.250" SP		0.500" SP		1.000" SP		1.500" SP		2.000" SP		2.500" SP		3.000" SP		4.000" SP		5.000" SP	
		RPM	BHP	RPM	BHP	RPM	BHP	RPM	BHP	RPM	BHP	RPM	BHP	RPM	BHP	RPM	BHP	RPM	BHP
9800	507	463	1.20	512	1.76	603	2.97	683	4.26	759	5.70								
10200	527	478	1.31	526	1.89	614	3.13	692	4.45	765	5.89								
10600	548	493	1.42	539	2.02	625	3.30	702	4.66	773	6.12								
11000	569	508	1.54	553	2.16	637	3.49	712	4.88	781	6.35	849	7.99						
11400	590	523	1.67	567	2.31	648	3.66	722	5.09	790	6.60	856	8.25						
11800	610	538	1.81	581	2.46	660	3.86	733	5.33	800	6.88	863	8.51						
12200	631	553	1.95	595	2.62	672	4.06	744	5.58	809	7.13	872	8.82	933	10.60				
12600	652	569	2.12	609	2.79	685	4.28	755	5.83	819	7.42	880	9.11	940	10.90				
13000	672	584	2.28	623	2.96	697	4.49	766	6.08	830	7.73	890	9.46						
13400	693	600	2.46	638	3.16	710	4.72	778	6.36	840	8.02	899	9.78						
13800	714	615	2.63	653	3.37	723	4.96	789	6.62	851	8.35	909	10.10						
14200	734	631	2.83	667	3.56	736	5.20	801	6.91	862	8.67	919	10.50						
14600	755	647	3.04	682	3.79	749	5.45	813	7.20	873	9.01	929	10.80						
15000	776	663	3.26	697	4.02	763	5.72	825	7.50	884	9.34								
15400	797	679	3.49	712	4.26	776	5.98	838	7.84	896	9.72								
15800	817	694	3.72	727	4.51	790	6.27	850	8.15	907	10.10								
16200	838	710	3.97	743	4.79	804	6.57	863	8.49	919	10.40								
16600	859	726	4.23	758	5.07	818	6.88	876	8.84	931	10.80								
17000	879	742	4.51	773	5.35	832	7.20	888	9.17										

Performance shown is for Installation Type B: Free inlet, Ducted outlet. Power rating (BHP) does not include drive losses. Performance ratings do not include the effects of appurtenances in the airstream. Model SQI-HP is not licensed to bear the AMCA Seal. **Shaded area indicates reinforced wheel.**

402 SQI-B/SQI-HP Data

Wheel Diameter - 40.25"
 Tip Speed (FPM) - 10.54 x RPM
 Maximum BHP

SQI - 36.3 x (RPM/1000)
 SQI-HP - 20.5 x (RPM/1000)³

Outlet Area = 23.56 FT²

Outlet Velocity = CFM/23.56

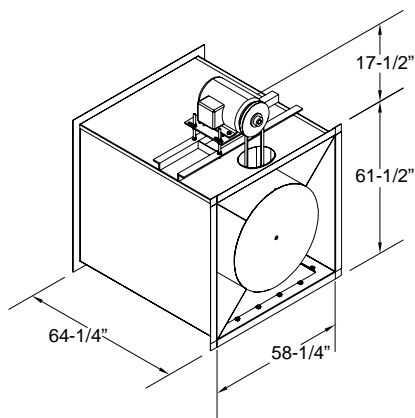
1140 RPM motor required below

330 RPM

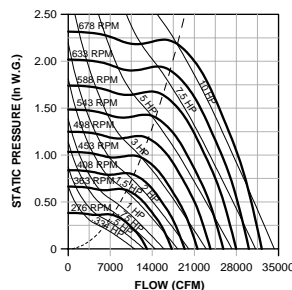
Reinforced wheel required above:

SQI - 539 RPM

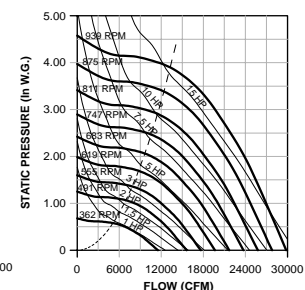
SQI-HP - 630 RPM



SQI-B



SQI-HP



402 SQI-B

CFM	OV	0.125" SP		0.250" SP		0.500" SP		0.750" SP		1.000" SP		1.500" SP		2.000" SP		2.500" SP		3.000" SP	
		RPM	BHP	RPM	BHP	RPM	BHP	RPM	BHP	RPM	BHP	RPM	BHP	RPM	BHP	RPM	BHP	RPM	BHP
12000	507	276	.69	304	.97	356	1.58	407	2.27										
13000	549	295	.83	320	1.13	369	1.76	416	2.48	463	3.27								
14000	591	315	.99	337	1.30	384	1.98	427	2.71	471	3.53								
15000	633	334	1.16	354	1.49	399	2.21	440	2.98	481	3.83								
16000	676	354	1.36	373	1.72	414	2.46	454	3.28	492	4.15	568	6.05						
17000	718	374	1.58	391	1.96	430	2.75	468	3.59	504	4.48	576	6.45						
18000	760	394	1.83	410	2.23	446	3.05	483	3.93	517	4.84	585	6.86	653	9.10				
19000	802	414	2.10	429	2.52	463	3.40	498	4.29	531	5.24	595	7.30	660	9.59				
20000	845	435	2.41	449	2.85	480	3.76	514	4.70	546	5.69	607	7.81	668	10.10				
21000	887	456	2.76	469	3.21	497	4.14	530	5.14	561	6.15	619	8.31	678	10.70				
22000	929	476	3.12	489	3.60	516	4.59	546	5.60	576	6.64	633	8.89						
23000	971	496	3.50	508	4.00	534	5.04	562	6.08	592	7.19	647	9.49						
24000	1014	517	3.94	528	4.45	553	5.54	579	6.62	608	7.77	661	10.10						
25000	1056	538	4.43	549	4.96	571	6.04	597	7.21	624	8.37	676	10.80						
26000	1098	559	4.95	569	5.48	591	6.64	614	7.79	640	9.00								
27000	1140	579	5.48	589	6.03	610	7.23	632	8.43	657	9.70								
28000	1183	600	6.08	609	6.63	629	7.86	651	9.14	674	10.40								
29000	1225	621	6.72	630	7.31	649	8.55	669	9.84										
30000	1267	641	7.36	650	7.99	669	9.30	688	10.60										

402 SQI-HP

CFM	OV	0.250" SP		0.500" SP		1.000" SP		1.500" SP		2.000" SP		2.500" SP		3.000" SP		4.000" SP		5.000" SP	
		RPM	BHP	RPM	BHP	RPM	BHP	RPM	BHP	RPM	BHP	RPM	BHP	RPM	BHP	RPM	BHP	RPM	BHP
9600	405	362	.93	416	1.47	511	2.71	596	4.17	673	5.81								
10350	437	382	1.08	433	1.65	523	2.93	605	4.40	680	6.13								
11100	469	403	1.25	450	1.83	537	3.18	615	4.68	688	6.42	756	8.33						
11850	500	423	1.43	468	2.05	552	3.46	627	5.01	698	6.76	763	8.70	825	10.70				
12600	532	445	1.65	486	2.27	568	3.76	639	5.34	708	7.11	772	9.08	832	11.20				
13350	564	466	1.87	506	2.54	584	4.07	653	5.72	719	7.52	781	9.47	840	11.70				
14100	595	488	2.13	526	2.83	600	4.40	668	6.13	731	7.97	791	9.92	849	12.10				
14850	627	509	2.40	546	3.14	617	4.76	683	6.54	744	8.44	802	10.40	859	12.60				
15600	659	531	2.70	567	3.49	634	5.14	699	7.00	758	8.95	814	11.00	869	13.20				
16350	690	553	3.03	587	3.84	652	5.55	715	7.47	772	9.46	827	11.60	880	13.80				
17100	722	576	3.40	608	4.23	670	5.99	731	7.96	788	10.00	841	12.20	892	14.50				
17850	754	598	3.78	630	4.68	689	6.48	748	8.49	803	10.60	855	12.80	905	15.20				
18600	786	620	4.19	651	5.12	708	6.98	764	9.01	819	11.20	870	13.50	918	15.90				
19350	817	643	4.65	672	5.59	728	7.55	782	9.62	835	11.90	886	14.30						
20100	849	666	5.14	694	6.12	748	8.14	800	10.30	852	12.60	901	15.00						
20850	881	688	5.65	716	6.68	768	8.75	818	10.90	869	13.30	917	15.80						
21600	912	711	6.20	738	7.27	788	9.40	837	11.60	886	14.00								
22350	944	733	6.77	760	7.90	809	10.10	856	12.40	903	14.80								
23100	976	755	7.37	782	8.56	830	10.90	875	13.20	921	15.70								
23850	1007	779	8.08	804	9.26	851	11.60	895	14.00	939	16.50								

Performance shown is for Installation Type B: Free inlet, Ducted outlet. Power rating (BHP) does not include drive losses. Performance ratings do not include the effects of appurtenances in the airstream. Model SQI-HP is not licensed to bear the AMCA Seal. **Shaded area indicates reinforced wheel.**

70SQ10D

SP	Sound Power re 10 ⁻¹² Watts								Sones	L _{wi} A
	Octave Bands									
	1	2	3	4	5	6	7	8		
.000	59	61	58	55	51	45	38	38	3.8	57
.100	59	62	60	57	53	49	42	39	4.3	59
.125	60	63	60	57	53	49	43	39	4.5	59
.250	60	67	61	58	53	50	44	39	4.7	60

70SQ12D

SP	Sound Power re 10 ⁻¹² Watts								Sones	L _{wi} A
	Octave Bands									
	1	2	3	4	5	6	7	8		
.000	59	67	61	59	54	49	43	42	4.8	60
.100	60	68	65	60	55	51	45	42	5.5	62
.125	60	68	64	60	55	51	45	42	5.4	62
.250	60	69	62	59	54	51	45	43	5.1	61

70SQ15D

SP	Sound Power re 10 ⁻¹² Watts								Sones	L _{wi} A
	Octave Bands									
	1	2	3	4	5	6	7	8		
.000	61	72	67	64	61	57	51	46	7.0	67
.100	60	73	67	64	60	56	51	46	7.0	66
.125	60	73	67	64	60	56	51	46	6.9	66
.250	60	73	66	63	59	55	50	45	6.7	65
.375	60	73	66	62	58	54	49	45	6.6	65

80SQ10D

SP	Sound Power re 10 ⁻¹² Watts								Sones	L _{wi} A
	Octave Bands									
	1	2	3	4	5	6	7	8		
.000	68	66	68	62	58	52	48	42	6.3	64
.100	70	66	69	61	58	51	48	42	6.5	64
.125	70	66	69	61	58	51	48	42	6.5	64
.250	70	66	69	61	58	52	48	42	6.6	65
.375	71	67	69	62	59	52	49	43	6.7	65

80SQ12D

SP	Sound Power re 10 ⁻¹² Watts								Sones	L _{wi} A
	Octave Bands									
	1	2	3	4	5	6	7	8		
.000	72	70	77	69	67	60	56	52	10.4	72
.100	73	70	75	68	66	59	55	51	9.7	71
.125	73	70	74	68	66	59	55	51	9.6	71
.250	73	70	74	68	65	58	55	51	9.5	71
.375	74	70	74	68	65	58	55	51	9.4	71
.500	74	71	74	68	65	58	55	51	9.5	71

80SQ15D

SP	Sound Power re 10 ⁻¹² Watts								Sones	L _{wi} A
	Octave Bands									
	1	2	3	4	5	6	7	8		
.000	76	73	85	75	72	65	61	56	15.4	79
.100	77	73	82	74	71	64	60	55	14.0	77
.125	77	73	82	74	71	64	60	55	13.9	77
.250	76	73	81	74	70	62	59	55	13.4	77
.375	76	73	80	73	69	62	59	55	12.8	76
.500	76	73	79	73	69	62	59	54	12.4	75
.625	76	73	78	72	68	61	58	54	12.3	74

90SQ10D

SP	Sound Power re 10 ⁻¹² Watts								Sones	L _{wi} A
	Octave Bands									
	1	2	3	4	5	6	7	8		
.000	66	58	59	61	61	52	48	43	5.7	64
.100	61	57	58	59	58	49	45	41	4.9	61
.125	61	57	58	59	58	49	45	41	4.8	61
.250	61	57	57	55	55	47	43	40	4.1	58
.375	63	59	58	55	54	47	44	41	4.3	58
.500	67	62	61	59	59	50	47	43	5.2	61

90SQ12D

SP	Sound Power re 10 ⁻¹² Watts								Sones	L _{wi} A
	Octave Bands									
	1	2	3	4	5	6	7	8		
.000	69	70	66	65	66	61	55	51	8.4	69
.100	65	67	65	64	64	60	54	49	7.7	68
.125	65	67	65	64	64	60	54	49	7.6	68
.250	67	65	63	62	63	57	53	48	7.0	66
.375	67	64	62	61	61	56	52	48	6.4	65
.500	65	62	62	60	59	54	51	47	5.9	63

90SQ15D

SP	Sound Power re 10 ⁻¹² Watts								Sones	L _{wi} A
	Octave Bands									
	1	2	3	4	5	6	7	8		
.000	66	69	71	70	69	65	60	55	10.2	73
.100	65	66	68	68	67	65	59	54	9.4	72
.125	64	66	68	68	67	64	59	54	9.3	71
.250	64	65	68	67	66	64	59	54	9.0	71
.375	63	65	68	66	65	63	58	53	8.6	70
.500	63	64	67	65	64	62	57	53	8.2	69
.625	63	64	66	64	63	61	57	52	7.8	68

120SQ10D

SP	Sound Power re 10 ⁻¹² Watts								Sones	L _{wi} A
	Octave Bands									
	1	2	3	4	5	6	7	8		
.000	72	69	68	68	61	61	54	49	8.3	69
.100	71	69	68	67	61	60	53	48	7.9	68
.125	70	69	68	67	60	60	53	48	7.9	68
.250	70	69	66	66	60	59	52	47	7.5	67
.375	71	68	66	65	59	59	52	47	7.3	66
.500	73	68	65	64	58	58	51	47	7.1	66

120SQ17D

SP	Sound Power re 10 ⁻¹² Watts								Sones	L _{wi} A
	Octave Bands									
	1	2	3	4	5	6	7	8		
.000	79	83	79	78	74	70	67	61	16.3	80
.100	79	82	79	78	74	70	67	60	16.1	80
.125	78	82	79	78	74	70	67	60	16.0	80
.250	78	82	79	78	74	69	66	60	15.8	79
.375	77	82	79	77	73	69	66	60	15.5	79
.500	77	81	79	77	73	69	66	59	15.2	79
.625	77	81	79	77	73	68	65	59	15.0	78
.750	78	82	78	76	72	68	65	59	14.9	78
.875	78	82	78	76	72	68	65	59	14.7	78
1.00	79	82	78	76	72	68	65	59	14.7	78

135SQ10D

SP	Sound Power re 10 ⁻¹² Watts								Sones	L _{wi} A
	Octave Bands									
	1	2	3	4	5	6	7	8		
.000	77	73	71	70	61	60	54	52	9.4	70
.100	76	72	71	69	61	59	53	52	9.0	69
.125	76	72	71	69	60	59	53	51	8.9	69
.250	76	72	71	68	60	58	52	51	8.5	69
.375	76	71	70	66	61	58	52	50	8.1	68
.500	76	71	68	65	61	58	51	50	7.9	67

The sound power level ratings shown are in decibels referred to 10⁻¹² watts calculated per AMCA Standard 301. The A-weighted sound ratings shown have been calculated per AMCA Standard 301. Values shown are for inlet L_{wi} and inlet L_{wi}A sound power levels for Installation Type B: free inlet, ducted outlet. Ratings do not include the effects of duct end correction. The sound ratings shown are loudness values in fan sones at 5 ft. (1.5m) in a hemispherical free field calculated per AMCA Standard 301. The sound ratings shown are for nominal RPM. Values shown are for Installation Type B: free inlet fan sone levels.

135-165 SQI-D Sound Data

135SQ17D

SP	Sound Power re 10 ⁻¹² Watts								Sones	L _{wi} A
	Octave Bands									
	1	2	3	4	5	6	7	8		
.000	85	90	85	83	79	72	69	64	22	85
.100	85	90	85	83	78	72	69	64	22	84
.125	85	90	85	83	78	72	69	64	22	84
.250	84	89	85	82	78	71	68	64	21	84
.375	84	89	84	82	78	71	68	63	21	84
.500	85	89	84	82	77	71	68	63	21	83
.625	85	89	84	82	77	71	67	63	21	83
.750	85	89	84	82	77	71	67	62	21	83
.875	85	89	84	81	76	71	67	62	20	83
1.00	85	89	83	81	76	71	67	62	20	83
1.25	85	89	83	80	75	71	67	62	19.8	82

150SQ10D

SP	Sound Power re 10 ⁻¹² Watts								Sones	L _{wi} A
	Octave Bands									
	1	2	3	4	5	6	7	8		
.000	80	77	77	74	66	65	60	54	12.5	75
.100	80	76	77	74	66	64	59	53	12.1	75
.125	80	76	77	74	65	64	59	53	12.0	75
.250	80	76	76	73	65	63	58	52	11.5	74
.375	80	75	75	72	64	62	57	52	10.9	73
.500	80	74	74	70	65	62	56	53	10.5	72
.750	80	73	74	69	65	62	56	53	10.3	72

150SQ17D

SP	Sound Power re 10 ⁻¹² Watts								Sones	L _{wi} A
	Octave Bands									
	1	2	3	4	5	6	7	8		
.000	87	91	88	86	81	75	72	67	26	87
.100	87	91	88	86	80	75	72	66	25	87
.125	87	91	88	86	80	75	72	66	25	87
.250	87	91	87	86	80	74	71	66	25	87
.375	87	91	87	86	80	74	71	66	25	87
.500	87	90	87	86	80	74	71	65	24	86
.625	87	90	87	85	79	73	70	65	24	86
.750	87	90	86	85	79	73	70	65	23	86
.875	87	90	86	85	79	73	70	64	23	85
1.00	87	90	86	84	79	73	70	64	23	85
1.25	87	90	85	84	78	73	69	64	23	85
1.50	88	90	85	83	78	73	69	64	22	84
1.75	88	90	85	83	78	73	69	64	22	84

165SQ10D

SP	Sound Power re 10 ⁻¹² Watts								Sones	L _{wi} A
	Octave Bands									
	1	2	3	4	5	6	7	8		
.000	78	77	80	77	72	71	64	58	14.8	79
.100	78	77	79	76	71	70	63	57	14.2	78
.125	78	77	79	76	71	70	63	57	14.1	78
.250	78	77	78	75	70	68	62	57	13.4	77
.375	77	77	77	74	68	67	61	56	12.7	76
.500	77	76	76	72	67	66	60	55	11.9	74
.625	78	75	75	70	66	65	59	55	11.2	73
.750	78	74	74	69	66	64	58	54	10.6	72

165SQ17D

SP	Sound Power re 10 ⁻¹² Watts								Sones	L _{wi} A
	Octave Bands									
	1	2	3	4	5	6	7	8		
.000	86	91	90	90	86	82	79	72	32	91
.100	86	91	90	90	86	82	79	72	31	91
.125	86	91	90	90	85	82	79	72	31	91
.250	86	91	89	89	85	81	78	72	31	91
.375	86	91	89	89	85	81	78	71	30	90
.500	86	91	89	89	85	80	77	71	30	90
.625	86	91	89	89	84	80	77	70	29	90
.750	86	91	89	88	84	79	76	70	29	89
.875	86	91	89	88	83	79	76	70	28	89
1.00	86	91	89	88	83	78	75	69	27	89
1.25	86	90	88	87	82	77	74	69	26	88
1.50	86	90	87	86	80	77	74	68	25	87
1.75	86	90	87	86	80	77	74	68	25	87

The sound power level ratings shown are in decibels referred to 10⁻¹² watts calculated per AMCA Standard 301. The A-weighted sound ratings shown have been calculated per AMCA Standard 301. Values shown are for inlet L_{wi} and inlet L_{wi}A sound power levels for Installation Type B: Free inlet, Ducted outlet. Ratings do not include the effects of duct end correction. The sound ratings shown are loudness values in fan sones at 5 ft. (1.5m) in a hemispherical free field calculated per AMCA Standard 301. The sound ratings shown are for nominal RPM. Values shown are for Installation Type B: free inlet fan sone levels.

90 SQI-B

RPM	SP	SOUND POWER re 10 ⁻¹² WATTS								L _{wi} A
		OCTAVE BANDS								
		1	2	3	4	5	6	7	8	
1300	0.250	56	61	64	59	59	57	50	44	64
1400	0.250	59	62	66	62	61	59	53	46	66
	0.375	58	63	65	61	60	58	53	46	65
1500	0.250	62	64	67	64	63	61	55	48	68
	0.500	60	63	66	63	61	59	54	49	66
1600	0.375	64	65	69	66	64	62	57	50	69
	0.500	63	65	68	66	63	61	57	51	69
	0.625	61	63	67	65	62	60	56	51	68
1700	0.375	66	67	70	68	66	64	59	52	71
	0.500	66	67	70	68	65	63	59	52	71
	0.750	64	65	69	67	63	61	58	52	69
1800	0.375	68	68	71	70	67	66	61	54	73
	0.500	68	68	71	70	67	65	61	54	72
	0.750	66	66	70	69	65	63	60	54	71
1900	0.375	70	70	73	72	69	67	63	56	74
	0.875	67	67	71	70	67	65	61	56	72
	0.500	72	71	74	74	69	68	64	57	76
2000	1.000	70	68	72	72	68	66	63	57	74
	0.500	74	72	75	75	71	70	66	59	77
	1.000	72	70	74	74	69	67	64	59	75
2200	0.500	76	73	76	77	72	71	67	60	79
	1.250	74	71	74	75	70	68	65	60	76
	0.625	77	74	77	78	73	72	69	62	80
2300	1.250	74	71	76	76	71	70	67	61	78
	0.625	79	75	78	80	74	73	70	63	81
2400	1.500	77	73	76	78	72	70	68	63	79
	0.750	80	76	79	81	75	74	71	64	82
2500	1.500	77	73	77	79	74	72	69	64	80
	0.750	81	78	79	82	76	75	72	66	83
2600	1.750	79	75	78	80	75	72	70	65	81
	0.750	82	79	80	83	77	76	74	67	84
2700	1.750	79	76	79	81	76	73	71	66	82
	0.875	82	80	81	84	78	77	74	68	85
2800	2.000	80	77	80	82	77	74	72	67	83
	0.875	83	81	82	84	79	78	75	69	86
2900	2.000	80	78	81	82	78	75	73	68	84
	1.000	83	83	83	85	81	79	76	70	87
3000	2.250	81	80	81	83	79	76	74	69	85
	1.000	84	84	84	86	82	79	77	71	88
3100	2.500	82	81	82	84	80	77	74	70	86

120 SQI-B

RPM	SP	SOUND POWER re 10 ⁻¹² WATTS								L _{wi} A
		OCTAVE BANDS								
		1	2	3	4	5	6	7	8	
1250	0.250	66	67	71	63	63	61	58	55	69
1350	0.250	68	69	73	66	65	63	60	57	71
	0.375	68	69	72	65	65	62	59	56	70
1450	0.250	71	71	75	69	67	65	62	59	73
	0.625	70	70	73	67	65	63	61	58	71
1550	0.375	72	73	76	71	68	66	63	61	74
	0.750	71	71	74	69	66	65	63	60	73
1650	0.375	74	75	77	73	69	68	65	62	76
	1.000	73	72	75	71	66	65	64	61	74
1750	0.375	76	76	79	76	71	70	67	64	78
	1.000	75	75	76	73	69	68	66	63	76
1850	0.500	78	78	80	78	72	71	68	65	79
	1.250	77	76	77	75	69	68	66	64	77
1950	0.500	79	79	81	80	73	72	70	67	81
	1.250	78	78	78	77	71	70	68	66	79
2050	0.500	81	81	82	82	74	74	71	68	82
	1.500	80	79	79	79	71	71	69	67	80
2150	0.625	82	82	83	83	75	75	72	69	84
	1.500	81	80	81	81	73	73	71	68	82
2250	0.625	84	83	84	85	76	76	73	70	85
	1.750	83	82	81	83	74	73	72	69	83
2350	0.750	85	85	85	87	77	77	74	72	86
	2.000	84	83	82	84	74	74	72	70	84
2450	0.750	86	86	86	88	78	78	76	73	88
	2.000	85	84	83	86	76	76	74	72	86
2550	0.875	87	87	87	89	80	79	77	74	89
	2.250	86	85	84	87	77	76	75	73	87
2650	0.875	88	88	88	90	81	80	78	75	90
	2.500	87	86	85	88	78	77	75	73	87
2750	1.000	88	89	89	91	82	81	78	76	91
	2.750	88	88	86	88	79	78	76	74	88
2850	1.000	89	90	90	92	84	82	79	77	92
	1.250	89	90	89	91	84	81	79	76	91

135 SQI-B

RPM	SP	SOUND POWER re 10 ⁻¹² WATTS								L _{wi} A
		OCTAVE BANDS								
		1	2	3	4	5	6	7	8	
1150	0.250	68	69	72	65	65	62	59	56	70
1250	0.250	71	71	76	67	67	65	62	59	73
	0.500	70	70	74	66	66	63	61	58	72
1350	0.375	73	73	77	69	68	66	63	60	74
	0.500	73	73	76	69	68	66	63	60	74
	0.625	72	72	76	68	68	65	63	60	73
1450	0.375	75	75	79	72	70	68	65	63	76
	0.500	75	75	78	72	70	68	65	62	76
	0.875	74	73	76	70	68	67	64	62	75
1550	0.375	77	77	80	75	72	70	67	64	78
	0.500	77	77	80	75	71	70	67	64	78
	1.000	76	75	78	73	70	68	66	64	76
1650	0.500	79	79	81	77	73	71	69	66	80
	0.750	79	79	80	76	73	71	68	65	79
	1.250	78	77	79	74	70	69	67	65	77
1750	0.500	81	81	83	79	74	73	70	68	82
	0.750	80	80	82	79	74	73	70	67	81
	1.250	79	79	80	77	72	71	69	67	80
1850	0.625	82	82	84	81	76	74	72	69	83
	1.500	81	80	81	79	73	72	70	68	81
	0.625	84	84	85	84	77	76	73	70	85
1950	1.500	83	82	83	81	75	74	72	69	83
	0.625	85	85	86	86	78	77	75	72	86
2050	1.500	85	84	84	84	76	76	73	71	85
	0.750	87	86	87	87	79	78	76	73	88
2150	2.000	86	85	84	85	77	76	74	72	85
	0.750	88	88	88	89	80	80	77	74	89
2250	2.000	87	86	86	87	78	78	76	73	87
	0.875	89	89	89	91	81	81	78	75	90
2350	1.500	89	89	88	90	80	80	77	74	90

135 SQI-HP

RPM	SP	SOUND POWER re 10 ⁻¹² WATTS								L _{wi} A
		OCTAVE BANDS								
		1	2	3	4	5	6	7	8	
600	0.125	46	46	47	44	45	42	37	32	49
700	0.125	51	51	53	49	49	47	42	36	54
800	0.125	55	55	57	54	53	52	46	40	58
	0.250	54	53	55	50	51	50	46	41	56
900	0.125	59	60	61	58	56	55	50	44	62
	0.375	60	57	57	53	53	51	48	43	58
1000	0.125	63	63	64	62	59	58	54	47	65
	0.375	63	60	60	58	56	55	52	47	62
1100	0.250	65	64	65	63	60	59	56	50	66
	0.500	67	63	62	60	57	57	54	50	64
1200	0.250	68	67	68	66	63	62	59	53	69
	0.625	71	66	64	63	59	59	56	52	66
1300	0.250	71	70	70	69	65	64	62	55	71
	0.750	74	69	66	65	61	61	58	54	68
1400	0.250	73	72	72	72	67	65	64	58	74
	0.875	77	71	68	68	62	62	60	56	70
1500	0.250	76	74	75	74	69	67	67	60	76
	1.000	80	73	70	70	64	64	62	58	72
1600	0.375	77	76	75	75	70	68	68	62	77
	1.250	81	77	72	71	65	65	63	59	73
1700	0.375	78	78	77	77	72	70	70	64	79
	1.250	82	78	74	73	68	67	66	62	75
1800	0.500	79	79	78	78	74	71	70	65	80
	1.500	83	80	76	74	69	68	67	63	77
1900	0.500	80	81	80	80	76	73	72	67	82
	1.500	84	82	77	76	71	70	69	65	78
2000	0.500	81	83	82	81	77	74	73	69	83
	1.500	84	83	78	78	73	71	71	67	80
2100	0.625	82	84	83	82	79	75	74	70	84
	2.000	86	86	81	78	74	71	71	67	81
2200	0.625	83	86	84	83	80	76	75	72	86
	2.000	87	87	82	80	76	73	72	69	82
2300</										

150-165 SQI-B/SQI-HP Sound Data

150SQI-B

RPM	SP	SOUND POWER re 10 ⁻¹² WATTS								L _{wi} A
		OCTAVE BANDS								
		1	2	3	4	5	6	7	8	
850	0.125	72	72	70	65	62	59	54	49	68
	0.125	75	75	73	69	65	62	57	52	71
950	0.250	75	76	73	68	64	61	56	52	71
	0.375	76	76	73	68	63	60	55	51	70
1050	0.125	77	78	76	72	67	65	60	54	74
	0.250	78	79	76	72	67	65	59	55	74
	0.500	80	79	75	71	66	63	57	53	73
1150	0.125	79	81	78	75	70	68	63	57	77
	0.250	80	81	79	75	69	68	62	57	77
	0.750	83	82	78	74	68	65	59	55	76
1250	0.250	82	84	81	77	71	70	65	60	79
	1.000	85	84	79	75	70	67	61	57	77
1350	0.250	83	86	83	80	74	72	67	62	81
	1.000	87	87	82	79	73	69	64	59	81
1450	0.375	85	88	86	82	76	74	69	64	83
	1.250	88	89	85	81	75	71	65	61	83
1550	0.500	86	89	88	84	78	75	71	66	85
	1.500	89	91	86	82	77	72	68	63	84
1650	0.500	87	91	89	86	80	77	73	68	87
	1.500	90	93	89	85	79	74	70	65	87
1750	0.500	88	93	91	87	82	78	75	69	89
	1.500	90	94	91	87	81	76	72	67	89
1850	0.625	89	94	93	89	83	79	76	71	91
	2.000	92	97	93	88	83	77	73	68	90
1950	0.625	90	95	95	91	85	81	78	73	92
	2.000	93	98	95	90	85	79	75	70	92
2050	0.625	90	97	96	92	87	82	80	74	94
	2.000	93	99	97	92	86	80	77	71	93
2150	0.500	91	98	97	93	88	83	81	76	95
	0.750	91	98	98	94	88	83	81	75	95

150 SQI-HP

RPM	SP	SOUND POWER re 10 ⁻¹² WATTS								L _{wi} A
		OCTAVE BANDS								
		1	2	3	4	5	6	7	8	
700	0.125	53	53	51	50	49	48	45	41	55
	0.125	57	57	55	54	52	53	49	44	58
800	0.250	57	56	55	53	52	52	47	43	57
	0.125	61	60	59	57	55	56	52	48	62
900	0.375	60	60	58	56	54	54	50	45	60
	0.125	65	63	62	60	58	58	56	51	64
1000	0.500	65	64	62	59	57	56	53	48	63
	0.125	68	66	65	63	60	60	59	54	67
1100	0.625	69	67	66	62	59	58	55	51	66
	0.125	70	68	67	65	63	62	61	56	69
1200	0.750	72	70	68	65	62	60	58	53	68
	0.250	74	71	69	67	64	63	63	58	71
1300	1.000	77	74	73	69	64	62	59	55	72
	0.250	76	73	72	69	66	65	65	60	73
1400	1.000	76	74	72	69	65	64	62	58	72
	0.375	79	75	73	70	68	66	67	62	74
1500	1.250	81	77	76	73	67	66	64	59	75
	0.500	81	77	75	72	70	68	68	64	76
1600	1.500	83	80	79	76	70	67	65	61	77
	0.500	81	79	77	74	71	69	69	66	78
1700	1.500	81	80	78	75	71	68	67	63	78
	0.625	83	81	78	76	73	71	70	67	79
1800	2.000	86	85	83	80	74	70	68	64	81
	0.625	83	83	80	77	74	72	72	69	81
1900	2.000	85	85	83	80	74	71	70	66	82
	0.625	84	85	82	79	75	73	73	70	82
2000	2.000	83	85	82	79	75	72	71	68	82
	0.750	85	87	83	80	77	74	74	72	83
2100	2.500	87	89	86	83	78	74	72	69	85
	0.750	86	88	84	81	78	76	75	73	85
2200	2.500	86	89	86	83	78	75	73	71	85
	0.750	86	89	86	83	79	77	76	75	86
2300	3.000	88	92	88	86	81	76	74	71	87
	0.875	87	91	87	84	80	78	77	76	87
2400	3.500	91	95	91	88	83	78	75	72	90
	0.875	88	92	88	85	81	79	77	77	88
2500	3.500	90	95	91	88	83	78	76	74	90
	1.000	88	94	89	86	82	80	78	78	89
2600	4.000	92	97	93	90	85	80	77	75	92

165 SQI-B

RPM	SP	SOUND POWER re 10 ⁻¹² WATTS								L _{wi} A
		OCTAVE BANDS								
		1	2	3	4	5	6	7	8	
800	0.125	74	74	71	66	64	60	55	50	69
	0.125	77	77	75	70	67	64	58	53	73
900	0.250	77	77	75	70	66	63	58	54	72
	0.375	78	77	74	70	65	62	56	52	72
1000	0.125	79	80	78	74	69	67	62	56	76
	0.250	80	80	78	73	69	66	61	56	76
	0.625	82	81	77	73	67	64	58	54	75
1100	0.125	82	83	80	77	71	70	65	59	79
	0.250	82	83	81	76	71	69	64	59	79
	0.875	86	84	79	76	69	66	60	56	77
1200	0.250	84	86	83	79	73	72	67	61	81
	1.000	88	87	82	79	72	69	63	59	80
1300	0.375	86	88	85	81	75	74	69	64	83
	1.250	90	89	84	80	74	71	65	61	82
1400	0.500	88	90	88	84	78	75	71	66	85
	1.500	91	91	86	82	76	73	68	63	84
1500	0.500	89	92	90	86	80	77	73	68	87
	1.500	92	94	89	85	79	75	70	65	87
1600	0.625	90	94	92	88	82	79	75	70	89
	2.000	93	95	90	86	80	76	72	67	88
1700	0.625	91	95	94	90	84	80	77	71	91
	2.000	94	98	93	89	83	78	73	68	91
1800	0.750	92	97	95	91	85	81	78	73	93
	2.500	95	99	95	89	84	79	75	70	92
1900	0.750	93	98	97	93	87	83	80	75	94
	2.500	96	101	97	92	87	81	77	71	94
2000	0.750	94	100	99	94	89	84	82	76	96
	3.000	97	102	98	93	88	82	78	73	95
2100	0.625	94	101	100	96	91	85	83	78	97
	0.875	95	101	100	96	90	85	83	78	97

165 SQI-HP

RPM	SP	SOUND POWER re 10 ⁻¹² WATTS								L _{wi} A
		OCTAVE BANDS								
		1	2	3	4	5	6	7	8	
650	0.125	54	54	53	52	51	49	45	41	56
	0.125	58	58	57	55	54	54	50	45	60
750	0.250	58	58	56	54	53	53	49	44	59
	0.125	63	62	60	59	57	57	54	49	63
850	0.375	62	61	59	57	56	56	52	47	62
	0.125	66	65	64	62	60	60	57	52	66
950	0.500	66	65	63	60	58	58	55	50	64
	0.125	70	68	67	64	62	62	60	55	69
1050	0.625	69	68	66	63	61	60	58	52	67
	0.125	72	71	69	67	64	64	63	58	71
1150	0.875	75	73	71	68	64	62	59	55	70
	0.250	76	73	71	69	66	65	65	60	73
1250	1.000	77	75	73	70	66	64	62	57	72
	0.375	79	75	74	71	68	67	67	62	75
1350	1.250	81	78	77	73	68	66	64	59	75
	0.375	81	77	76	73	70	68	69	64	77
1450	1.250	80	78	76	73	69	68	67	62	76
	0.500	83	79	77	74	72	70	70	66	78
1550	1.500	83	81	79	76	71	69	68	63	78
	0.500	84	81	79	76	73	71	72	68	80
1650	1.500	82	81	78	75	72	70	70	66	79
	0.625	85	84	81	78	75	73	73	69	81
1750	2.000	86	85	83	80	75	72	71	67	82
	0.625	86	85	83	79	76	74	74	71	83
1850	2.000	85	85	83	80	75	73	72	69	82
	0.750	87	87	84	81	78	75	75	73	84
1950	2.500	88	89	86	83	78	75	73	70	85
	0.750	88	89	86	82	79	77	76	74	86
2050	2.500	87	89	86	83	78	76	75	72	85
	0.750	89	91	87	84	80	78	77	76	87
2150	3.000	90	92	89	86	81	77	76	73	88
	0.875	89	92	88	85	81	79	78	77	88
2250	3.500	92	95	91	88	83	79	77	74	90
	0.875	90	94	89	86	83	80	79	78	89
2350	3.500	91	95	91	88	83	79	78	75	90
	1.000									

180 SQI-B

RPM	SP	SOUND POWER re 10 ⁻¹² WATTS								L _{wi} A
		OCTAVE BANDS								
		1	2	3	4	5	6	7	8	
600	0.125	58	65	61	60	57	50	43	35	62
700	0.250	61	67	66	63	61	54	47	39	65
800	0.250	65	70	71	66	65	59	52	44	69
	0.500	63	68	69	63	62	57	50	43	67
900	0.250	68	72	76	69	69	63	56	49	73
	0.500	66	71	74	67	67	62	54	47	72
	0.625	65	70	73	66	66	61	54	47	70
1000	0.375	70	74	79	71	72	67	59	52	76
	0.500	69	73	78	70	71	66	58	51	75
	0.875	67	72	76	67	68	63	57	50	73
1100	0.375	73	76	81	75	74	70	63	55	79
	0.500	72	76	81	74	74	69	62	55	78
	1.000	70	74	78	71	70	67	60	53	75
1200	0.375	76	78	83	78	76	73	66	58	81
	0.500	76	78	83	78	76	72	65	58	81
	1.250	73	76	80	74	72	69	63	56	77
1300	0.500	79	80	84	81	78	75	68	61	83
	0.750	78	79	83	80	77	74	67	60	82
	1.500	76	78	81	76	73	71	65	58	79
1400	0.625	81	82	86	84	79	77	70	63	85
	0.750	81	81	85	83	79	76	70	63	85
	1.500	79	80	83	80	76	74	68	61	82
1500	0.625	83	83	87	86	81	79	73	65	87
	0.750	83	83	87	86	81	79	73	65	87
	2.000	81	81	84	82	76	75	69	63	83
1600	0.750	85	85	88	88	82	81	75	67	89
	2.000	83	82	86	85	79	78	72	65	86
	0.875	87	86	89	91	84	83	77	69	91
1700	2.000	85	84	87	88	81	80	75	67	88
	2.500	85	83	87	87	79	78	74	67	87

195 SQI-B

RPM	SP	SOUND POWER re 10 ⁻¹² WATTS								L _{wi} A
		OCTAVE BANDS								
		1	2	3	4	5	6	7	8	
600	0.125	62	68	64	63	60	53	45	38	65
700	0.250	64	70	69	66	63	57	50	42	68
	0.375	63	69	67	64	62	56	49	41	67
800	0.250	68	73	74	69	68	62	55	47	72
	0.500	66	71	72	67	66	60	53	45	70
	0.625	66	70	71	65	64	59	52	45	69
900	0.250	71	75	79	72	72	66	59	51	76
	0.500	69	74	77	71	70	65	57	50	75
	0.750	68	73	76	68	68	63	56	49	73
1000	0.375	73	77	82	74	75	69	62	54	79
	0.500	72	76	82	73	74	69	61	54	78
	0.750	71	76	80	72	73	68	60	53	77
1100	1.000	70	75	79	70	70	66	59	53	75
	0.375	76	79	84	78	77	72	65	58	82
	0.500	76	79	84	77	76	72	65	57	81
1200	0.750	75	78	83	76	76	71	64	56	80
	1.000	74	78	82	75	74	70	63	56	79
	1.250	74	77	81	73	72	68	62	56	77
1300	0.500	79	81	86	81	79	75	68	61	84
	0.750	78	80	85	80	78	74	67	60	83
	1.500	76	79	82	76	74	71	65	58	79
1400	0.625	82	83	87	83	80	77	70	63	86
	0.750	81	82	87	83	80	77	70	63	85
	1.500	79	81	84	80	77	74	68	61	83
1500	0.625	84	85	88	86	82	80	73	66	88
	0.750	84	84	88	86	82	79	73	65	88
	2.000	82	82	85	82	77	75	70	63	84
1600	0.750	86	86	90	89	83	81	75	68	90
	1.000	86	86	89	88	83	81	75	67	89
	2.000	84	84	87	85	80	78	73	66	87

180 SQI-HP

RPM	SP	SOUND POWER re 10 ⁻¹² WATTS								L _{wi} A
		OCTAVE BANDS								
		1	2	3	4	5	6	7	8	
650	0.125	58	57	56	55	53	53	48	44	59
750	0.125	62	62	60	58	56	57	53	48	63
	0.250	62	61	59	57	56	56	52	47	62
	0.375	61	61	59	56	56	55	50	45	61
850	0.125	66	65	63	62	59	60	57	52	66
	0.250	66	65	63	61	59	59	56	51	65
	0.500	66	65	63	60	59	58	54	49	65
950	0.125	70	68	67	65	62	63	60	55	69
	0.250	70	68	66	64	62	62	59	55	68
	0.750	73	72	70	65	62	60	56	52	68
1050	0.125	73	71	70	67	65	65	63	58	72
	0.875	75	74	72	68	64	63	59	55	71
	0.250	76	74	72	69	67	66	65	60	74
1150	1.000	77	75	73	70	66	65	62	57	73
	0.375	80	76	74	71	69	68	67	63	76
1250	1.250	81	79	77	73	68	67	64	60	76
	0.500	83	78	76	73	71	69	69	65	77
1350	1.500	85	81	80	76	71	69	66	62	78
	0.500	85	80	79	75	73	71	71	67	79
1450	1.500	84	81	79	76	71	70	69	64	79
	0.625	87	83	80	77	74	72	73	68	81
1550	2.000	89	86	84	80	74	72	70	65	82
	0.625	88	85	82	79	76	74	74	70	83
1650	2.000	87	86	83	80	75	73	72	68	82
	0.750	89	87	84	81	78	75	75	72	84
1750	2.500	91	89	87	83	78	75	73	69	85
	0.750	89	89	85	82	79	77	77	74	86
1850	2.500	89	89	86	83	78	76	75	71	86
	0.750	90	90	87	84	80	78	78	75	87
1950	3.000	92	92	89	86	81	78	76	72	88

195 SQI-HP

RPM	SP	SOUND POWER re 10 ⁻¹² WATTS								L _{wi} A
		OCTAVE BANDS								
		1	2	3	4	5	6	7	8	
525	0.125	54	54	53	52	51	48	45	41	56
625	0.125	60	59	58	56	55	54	50	45	60
	0.250	59	58	57	55	54	53	48	44	59
725	0.125	64	64	62	60	58	59	54	49	65
	0.250	64	63	61	59	58	57	53	49	64
	0.375	63	63	60	58	57	57	52	47	63
825	0.125	68	67	65	63	61	62	58	53	68
	0.250	68	67	65	63	61	61	57	53	67
	0.625	70	69	67	63	61	59	55	50	67
925	0.125	72	71	69	66	64	65	62	57	71
	0.250	72	70	68	66	64	64	61	56	70
	0.875	76	75	72	67	64	62	58	53	71
1025	0.250	76	73	71	69	67	66	64	59	73
	1.000	78	76	74	70	66	64	61	56	73
	0.375	79	76	74	71	69	68	66	62	75
1125	1.250	82	80	77	73	69	67	63	59	76
	0.500	82	78	76	73	71	70	69	64	77
1225	1.500	85	82	80	76	71	69	66	61	78
	0.500	85	81	79	75	73	71	71	67	80
1325	1.500	84	82	80	76	72	71	69	64	79
	0.625	88	83	81	77	75	73	73	69	81
1425	2.000	90	86	84	80	74	72	70	65	82
	0.625	89	85	83	79	76	74	75	71	83
1525	2.000	89	86	84	80	75	74	73	68	83
	0.750	91	87	84	81	78	76	76	72	85
1625	2.500	92	90	87	84	78	76	74	69	86
	0.750	91	89	86	83	80	77	78	74	86
1725	3.000	95	93	90	86	80	77	75	71	88
	1.000	93	91	88	84	81	79	79	76	88
1825	3.500	97	96	93	89	83	79	76	72	90

The sound power level ratings shown are in decibels referred to 10⁻¹² watts calculated per AMCA Standard 301. The A-weighted sound ratings shown have been calculated per AMCA Standard 301. Values shown are for inlet L_{wi} and inlet L_{wi}A sound power levels for Installation Type B: Free inlet, Ducted outlet. Ratings do not include the effects of duct end correction.

210- 225 SQI-B/SQI-HP Sound Data

210 SQI-B

RPM	SP	SOUND POWER re 10 ⁻¹² WATTS								L _{wi} A
		OCTAVE BANDS								
		1	2	3	4	5	6	7	8	
550	0.125	62	69	64	64	59	52	45	37	65
	0.250	66	71	69	67	64	57	49	42	68
650	0.375	65	70	67	65	62	56	48	41	67
	0.250	69	74	75	70	68	62	55	47	73
750	0.375	68	73	73	69	67	61	54	46	72
	0.500	68	73	72	68	66	60	53	46	71
	0.625	67	72	71	66	65	60	53	46	70
850	0.375	72	76	79	73	72	66	59	51	76
	0.500	71	76	78	72	71	65	58	50	75
	0.750	70	75	76	69	69	64	57	50	74
	0.875	70	74	75	68	68	63	56	50	72
950	0.375	75	79	83	75	75	70	63	55	80
	0.500	74	78	82	75	75	69	62	54	79
	0.750	73	78	81	73	74	68	61	53	78
	1.000	72	77	80	71	72	67	60	53	76
1050	0.500	77	80	86	78	78	73	66	58	82
	0.750	76	80	84	77	77	72	65	57	82
	1.000	75	79	83	76	76	71	64	56	80
	1.250	75	79	83	74	74	70	63	56	79
1150	0.500	81	83	88	82	80	76	69	61	85
	0.750	80	82	87	81	79	75	68	61	84
	1.000	79	82	86	80	79	74	67	60	83
	1.500	78	81	84	77	76	73	66	59	81
1250	0.625	83	85	89	84	82	78	72	64	87
	0.750	83	84	88	84	81	78	71	64	87
	1.000	82	84	88	83	81	77	71	63	86
	1.500	81	83	86	82	79	76	69	62	84
1350	0.750	86	86	90	87	83	81	74	67	89
	1.250	84	85	89	86	82	79	73	65	88
	2.000	83	84	87	84	79	77	71	64	86

210 SQI-HP

RPM	SP	SOUND POWER re 10 ⁻¹² WATTS								L _{wi} A
		OCTAVE BANDS								
		1	2	3	4	5	6	7	8	
550	0.125	59	58	57	55	54	53	48	44	59
	0.250	63	63	61	59	58	58	53	49	64
650	0.375	63	62	60	58	57	56	51	46	62
	0.125	67	67	65	63	61	63	58	53	68
750	0.250	68	67	65	63	61	61	57	53	67
	0.500	67	66	64	61	60	60	55	50	66
	0.125	72	71	69	67	64	66	62	56	71
850	0.250	72	71	68	66	64	64	61	56	71
	0.750	73	72	70	66	64	62	58	53	70
	0.250	76	74	72	69	67	67	64	59	74
950	0.500	76	74	71	69	67	66	63	59	73
	1.000	78	77	74	70	67	65	61	56	73
	0.375	79	77	74	72	69	69	67	62	76
1050	0.500	80	77	74	72	69	68	66	62	76
	1.250	82	80	78	73	69	67	64	59	76
	0.500	83	79	77	74	72	71	69	65	78
1150	0.750	83	79	77	74	71	70	68	64	78
	1.500	85	83	80	76	71	69	66	62	79
	0.500	85	82	79	76	74	73	72	67	80
1250	1.500	85	82	80	76	73	71	70	65	79
	0.625	88	84	82	78	76	74	74	69	82
1350	2.000	90	87	84	80	75	73	71	66	83
	0.625	90	86	84	80	78	76	76	71	84
1450	2.000	89	86	84	80	76	75	74	69	83
	0.750	92	88	86	82	79	77	78	73	86
1550	2.500	93	90	87	84	78	77	75	71	86
	0.375	92	90	88	84	81	79	80	76	88
	0.500	92	90	88	84	81	79	80	76	88
1650	0.875	93	90	87	84	81	79	79	75	88

The sound power level ratings shown are in decibels referred to 10⁻¹² watts calculated per AMCA Standard 301. The A-weighted sound ratings shown have been calculated per AMCA Standard 301. Values shown are for inlet L_{wi} and inlet L_{wi}A sound power levels for Installation Type B: Free inlet, Ducted outlet. Ratings do not include the effects of duct end correction.

225 SQI-B

RPM	SP	SOUND POWER re 10 ⁻¹² WATTS								L _{wi} A
		OCTAVE BANDS								
		1	2	3	4	5	6	7	8	
500	0.125	63	70	62	64	58	51	44	36	64
	0.125	65	72	66	66	62	55	47	40	67
550	0.250	64	70	64	65	60	53	46	38	65
	0.250	66	72	68	67	63	56	49	41	68
600	0.375	66	71	66	65	62	55	48	40	67
	0.250	68	74	71	69	66	59	52	44	71
650	0.500	67	72	69	66	64	57	50	43	68
	0.250	70	76	74	71	68	62	55	47	73
	0.625	68	73	71	67	65	59	53	46	70
750	0.250	72	77	77	73	71	65	57	50	75
	0.750	70	74	73	68	67	61	55	48	71
800	0.375	73	78	79	73	72	66	59	51	77
	0.875	71	75	75	69	68	63	57	50	73
	0.375	75	79	81	75	74	68	61	53	79
850	1.000	72	77	77	70	70	65	58	52	75
	0.375	76	80	83	76	76	70	63	56	81
900	1.000	74	78	80	72	73	68	61	54	77
	0.375	78	81	86	78	78	72	65	57	82
950	1.250	75	79	82	73	73	69	62	55	78
	0.500	78	82	87	79	79	74	66	59	84
1000	1.250	76	80	84	75	75	71	64	57	80
	0.500	80	83	88	80	80	75	68	61	85
1050	1.500	77	81	85	76	76	72	65	58	81
	0.500	82	84	89	82	81	77	70	62	86
1100	1.500	79	82	86	78	77	74	67	60	83
	0.625	83	85	90	84	82	78	71	63	87
1150	1.500	81	84	87	80	79	75	69	61	84
	0.625	85	86	91	85	83	79	72	65	88
1200	2.000	82	84	87	80	78	75	69	63	84
	0.750	86	87	91	87	84	80	74	66	89
1250	2.000	83	85	88	83	80	77	71	64	86
	0.750	87	88	92	88	85	82	75	68	90
1300	2.000	85	86	89	85	81	79	72	65	87
	0.750	89	89	93	90	86	83	76	69	91
1350	2.500	86	87	89	85	81	79	73	66	87
	0.875	90	90	93	91	86	84	77	70	92
1400	2.500	87	87	90	87	82	80	75	68	89
	0.875	91	91	94	92	87	85	79	71	93
1450	3.000	88	88	91	87	82	80	75	69	89

225 SQI-HP

RPM	SP	SOUND POWER re 10 ⁻¹² WATTS								L _{wi} A
		OCTAVE BANDS								
		1	2	3	4	5	6	7	8	
500	0.125	58	58	56	55	54	52	48	44	59
	0.125	64	63	61	60	59	58	53	48	64
600	0.250	63	63	61	59	58	56	52	48	63
	0.375	63	63	60	58	57	56	51	46	62
700	0.125	68	68	65	64	62	63	58	53	68
	0.250	68	67	65	63	62	61	57	53	67
	0.500	68	67	64	62	61	60	55	50	66
800	0.125	72	72	69	67	65	67	62	57	72
	0.250	72	71	69	67	65	65	61	57	71
	0.750	74	73	70	66	64	63	59	54	70
900	0.250	76	75	72	70	68	68	65	60	74
	0.500	77	74	72	69	68	67	64	60	74
	1.000	78	77	75	70	67	66	62	57	74
1000	0.375	80	78	75	73	70	70	68	63	77
	0.500	81	78	75	72	70	69	67	63	77
	1.250	82	80	78	73	70	68	65	60	77
1100	0.500	84	80	78	75	73	72	70	66	79
	1.500	85	83	80	76	72	70	67	63	79
	0.500	86	83	81	77	75	74	73	68	81
1200	1.500	85	83	80	76	73	73	71	66	80
	0.625	89	85	83	79	77	75	75	70	84
	2.000	90	87	84	80	76	75	73	68	83
1300	0.750	92	87	85	81	79	77	77	72	85
	2.500	94	90	88	84	78	76	74	69	86
	0.750	94	89	87	83	80	78	79	75	87
1500	3.000	97	93	91	87	80	78	76	71	89
	0.750	95	91	89	85	82	80	81	77	89
1600	3.000	95	93	90	86	81	79	78	74	89
	0.500	95	93	91	87	84	81	83	79	91
1700	1.250	97	94	90	87	84	81	81	78	90

245 SQI-B

RPM	SP	SOUND POWER re 10 ⁻¹² WATTS								L _{wi} A
		OCTAVE BANDS								
		1	2	3	4	5	6	7	8	
500	0.250	67	74	65	64	61	54	47	40	66
550	0.250	69	76	69	67	64	57	50	43	69
	0.375	68	74	67	65	63	56	50	43	68
600	0.250	71	78	72	69	67	60	53	46	72
	0.500	70	74	69	67	64	58	52	45	69
650	0.375	73	79	75	70	68	63	55	48	73
	0.625	72	75	72	68	66	61	54	48	71
700	0.375	75	80	78	73	70	65	58	51	76
	0.750	73	77	74	70	68	63	56	50	73
750	0.375	76	81	81	75	72	68	60	53	78
	0.875	75	78	77	72	70	65	59	52	75
800	0.500	78	82	83	76	74	70	62	55	80
	1.000	77	80	79	73	71	67	60	54	77
850	0.500	79	83	86	78	76	72	64	57	82
	1.000	78	82	82	75	74	70	63	56	79
900	0.625	81	84	88	79	77	74	66	59	83
	1.250	79	82	84	76	75	71	64	58	80
950	0.625	82	85	90	80	78	75	68	61	85
	1.250	81	84	86	78	77	73	66	60	82
1000	0.750	83	86	92	81	80	77	69	62	87
	1.500	82	85	88	78	78	74	67	61	83
1050	0.750	84	87	93	83	81	78	71	64	88
	1.500	83	86	89	81	79	76	69	63	85
1100	0.875	85	88	93	85	82	80	73	65	89
	1.500	84	87	91	83	81	78	71	65	87
1150	0.875	86	89	94	87	83	81	74	67	90
	2.000	84	88	90	83	81	78	72	65	87
1200	1.000	86	90	95	88	84	82	75	68	91
	2.000	85	89	91	85	82	80	74	67	88
1250	1.000	87	91	96	90	85	83	77	69	92
	2.500	86	90	91	86	82	80	74	68	89
1300	1.250	88	92	96	91	86	84	78	71	93
	2.500	86	91	92	88	84	81	76	69	90
1350	1.250	88	93	97	93	87	85	79	72	94
	2.500	87	92	94	90	85	83	77	71	92
1400	1.250	89	94	98	94	88	86	81	73	95
	3.000	88	92	94	90	85	83	78	71	92

245 SQI-HP

RPM	SP	SOUND POWER re 10 ⁻¹² WATTS								L _{wi} A
		OCTAVE BANDS								
		1	2	3	4	5	6	7	8	
550	0.250	74	73	66	64	62	59	54	49	67
	0.250	76	79	72	69	67	64	59	54	72
650	0.500	78	80	70	66	64	62	58	54	71
	0.375	79	85	76	72	70	68	63	58	76
750	0.750	80	87	73	70	67	66	61	58	75
	0.375	81	86	81	76	74	72	67	62	80
850	0.500	82	87	80	75	73	71	66	61	80
	1.000	83	89	79	73	70	68	65	61	78
950	0.500	83	89	85	79	76	74	70	65	83
	0.750	84	90	85	78	75	73	69	65	82
1050	1.250	85	91	84	76	73	71	68	64	81
	0.500	85	90	88	83	79	77	73	68	86
1150	0.750	85	91	88	82	78	76	73	68	86
	1.500	87	93	88	79	75	73	71	67	84
1250	0.625	86	92	92	85	81	79	76	71	89
	0.750	86	93	92	85	81	79	76	70	88
1350	2.000	90	95	91	82	78	75	72	69	87
	0.750	88	94	94	87	83	81	78	73	91
1450	2.000	89	96	96	84	80	78	76	72	90
	0.875	89	96	97	90	85	83	81	75	93
1550	2.000	90	97	99	87	83	80	79	74	93
	2.500	91	98	99	86	82	79	78	74	93
1650	1.000	90	97	100	92	87	85	83	77	95
	2.000	92	99	102	90	85	83	81	76	96
1750	3.000	93	100	102	88	84	81	79	75	95
	1.250	91	98	102	94	89	86	85	79	97
1850	3.500	94	101	103	91	86	82	81	77	97
	1.250	92	99	103	96	91	88	86	81	99
1950	4.000	96	103	104	94	88	84	82	79	98

270 SQI-B

RPM	SP	SOUND POWER re 10 ⁻¹² WATTS								L _{wi} A
		OCTAVE BANDS								
		1	2	3	4	5	6	7	8	
500	0.250	71	78	68	67	65	57	50	43	70
	0.375	70	76	67	66	63	56	50	43	68
550	0.250	73	80	72	70	67	61	53	46	72
	0.500	72	76	69	68	65	59	52	46	70
600	0.375	75	81	75	72	69	63	56	49	74
	0.500	74	80	74	71	68	62	55	49	73
650	0.625	74	77	72	70	67	61	55	48	72
	0.375	77	82	78	74	72	66	59	51	77
700	0.750	75	79	75	71	69	64	57	51	74
	0.500	78	84	81	75	73	68	61	54	79
750	0.875	77	80	78	73	71	66	59	53	76
	0.500	80	85	84	77	75	71	63	56	81
800	1.000	79	82	80	75	73	68	62	55	78
	0.500	82	86	86	79	77	73	65	58	83
850	1.250	80	83	82	76	74	70	63	57	80
	0.625	83	87	89	80	78	75	67	60	85
900	1.250	81	85	85	78	76	72	66	59	82
	0.625	84	88	91	82	80	77	69	62	86
950	1.500	83	86	87	79	78	74	67	61	83
	0.750	86	89	93	83	81	78	71	64	88
1000	1.500	84	87	90	81	80	76	69	63	86
	0.875	87	89	95	84	83	80	72	65	90
1050	1.500	86	89	93	83	81	78	71	65	88
	0.875	88	91	96	86	84	81	74	67	91
1100	2.000	86	89	92	83	82	79	72	66	88
	1.000	88	92	97	88	85	83	76	68	92
1150	2.000	87	91	93	85	83	80	74	67	89
	1.250	89	93	97	90	86	84	77	70	93
1200	2.500	88	91	93	86	84	81	75	68	90
	1.250	90	94	98	91	87	85	78	71	94

270 SQI-HP

RPM	SP	SOUND POWER re 10 ⁻¹² WATTS								L _{wi} A
		OCTAVE BANDS								
		1	2	3	4	5	6	7	8	
1250	0.250	66	67	71	63	63	61	58	55	69
	0.250	68	69	73	66	65	63	60	57	71
1350	0.375	68	69	72	65	65	62	59	56	70
	0.250	71	71	75	69	67	65	62	59	73
1450	0.625	70	70	73	67	65	63	61	58	71
	0.375	72	73	76	71	68	66	63	61	74
1550	0.750	71	71	74	69	66	65	63	60	73
	0.375	74	75	77	73	69	68	65	62	76
1650	1.000	73	72	75	71	66	65	64	61	74
	0.375	76	76	79	76	71	70	67	64	78
1750	1.000	75	75	76	73	69	68	66	63	76
	0.500	78	78	80	78	72	71	68	65	79
1850	1.250	77	76	77	75	69	68	66	64	77
	0.500	79	79	81	80	73	72	70	67	81
1950	1.250	78	78	78	77	71	70	68	66	79
	0.500	81	81	82	82	74	74	71	68	82
2050	1.500	80	79	79	79	71	71	69	67	80
	0.625	82	82	83	83	75	75	72	69	84
2150	1.500	81	80	81	81	73	73	71	68	82
	0.625	84	83	84	85	76	76	73	70	85
2250	1.750	83	82	81	83	74	73	72	69	83
	0.750	85	85	85	87	77	77	74	72	86
2350	2.000	84	83	82	84	74	74	72	70	84
	0.750	86	86	86	88	78	78	76	73	88
2450	2.000	85	84	83	86	76	76	74	72	86
	0.875	87	87	87	89	80	79	77	74	89
2550	2.250	86	85	84	87	77	76	75	73	87
	0.875	88	88	88	90	81	80	78	75	90
2650	2.500	87	86	85	88	78	77	75	73	87
	1.000	88	89	89	91	82	81	78	76	91
2750	2.750	88	88	86	88	79	78	76	74	88
	1.000	89	90	90	92	84	82	79	77	92
2850	1.250	89	90	89	91	84	81	79	76	91

The sound power level ratings shown are in decibels referred to 10⁻¹² watts calculated per AMCA Standard 301. The A-weighted sound ratings shown have been calculated per AMCA Standard 301. Values shown are for inlet L_{wi} and inlet L_{wi}A sound power levels for Installation Type B: free inlet, ducted outlet. Ratings do not include the effects of duct end correction.

300- 330 SQI-B/SQI-HP Sound Data

300 SQI-B

RPM	SP	SOUND POWER re 10 ⁻¹² WATTS OCTAVE BANDS								L _{wi} A
		1	2	3	4	5	6	7	8	
450	0.250	73	77	69	68	64	57	50	43	70
	0.375	72	75	68	67	63	56	49	43	68
500	0.250	75	82	72	71	68	61	53	46	73
	0.500	74	78	70	69	66	59	52	46	71
550	0.375	77	83	75	73	70	63	56	49	75
	0.500	76	82	74	72	70	63	56	49	75
	0.625	76	80	73	71	68	62	55	49	73
600	0.375	79	85	79	75	73	67	59	52	78
	0.500	78	85	78	75	72	66	59	52	77
	0.750	78	81	76	73	71	65	58	52	76
650	0.500	80	86	82	77	75	69	62	55	80
	0.750	80	85	80	76	74	68	61	54	79
700	1.000	79	82	78	74	72	67	60	54	77
	0.500	82	87	85	79	77	72	64	57	82
750	0.750	82	87	84	78	76	71	64	57	82
	1.000	81	85	82	77	75	70	63	56	80
750	0.625	84	88	87	81	78	74	66	59	84
	0.750	84	88	87	80	78	73	66	59	84
	1.250	82	85	84	78	76	71	65	58	81
800	0.625	85	90	90	82	80	76	69	61	86
	0.750	85	89	90	82	80	76	68	61	86
850	1.500	84	87	86	79	78	73	67	61	83
	0.750	87	90	92	84	82	78	70	63	88
850	1.500	85	88	89	81	80	76	69	62	85
	0.875	88	91	94	85	83	80	72	65	90
900	1.500	87	90	92	83	82	78	71	64	88
	0.875	89	92	96	87	85	82	74	67	91
950	2.000	88	91	92	83	82	79	72	66	88
	1.000	91	93	98	88	86	83	76	68	93
1000	1.500	90	93	98	87	85	83	75	68	92

330 SQI-B

RPM	SP	SOUND POWER re 10 ⁻¹² WATTS OCTAVE BANDS								L _{wi} A
		1	2	3	4	5	6	7	8	
400	0.250	74	76	69	68	63	56	49	42	69
	0.250	76	81	73	71	68	60	53	46	73
450	0.500	75	78	70	69	65	59	52	46	71
	0.375	78	85	75	73	71	63	56	49	76
500	0.500	77	84	74	73	70	63	56	49	75
	0.625	77	81	72	72	69	62	55	49	74
	0.375	80	87	79	76	74	67	59	52	79
550	0.500	80	86	78	76	73	66	59	52	78
	0.875	79	82	75	74	71	64	58	52	76
	0.500	82	88	82	78	76	69	62	55	81
600	0.750	82	87	81	77	75	68	62	55	80
	1.000	81	84	78	76	73	67	61	55	78
650	0.500	84	89	85	80	78	72	65	57	83
	0.750	84	89	84	79	77	71	64	58	83
700	1.000	83	87	82	78	76	70	64	57	81
	0.625	86	91	88	82	80	74	67	60	85
750	0.750	86	90	87	82	79	74	67	60	85
	1.250	84	87	84	80	78	72	66	59	83
750	0.750	87	92	90	84	81	77	69	62	87
	1.000	87	91	90	83	81	76	69	62	87
800	1.500	86	89	87	81	79	74	68	61	84
	0.750	89	93	93	85	83	79	71	64	89
800	1.000	89	93	93	85	83	79	71	64	89
	1.500	88	91	90	83	81	77	70	64	87
850	0.875	90	94	95	87	85	81	73	66	91
	1.000	90	94	95	87	84	81	73	66	91
850	2.000	89	91	91	84	82	78	71	65	88
	1.000	92	95	97	88	86	83	75	68	93
900	1.500	91	94	97	87	85	82	75	68	92
	2.000	90	93	94	86	84	81	74	67	90

300 SQI-HP

RPM	SP	SOUND POWER re 10 ⁻¹² WATTS OCTAVE BANDS								L _{wi} A
		1	2	3	4	5	6	7	8	
400	0.125	74	69	65	63	61	56	51	46	66
	0.250	78	72	67	65	63	59	54	50	68
450	0.375	79	71	66	63	61	58	54	51	67
	0.250	79	77	71	68	66	62	57	52	71
500	0.500	81	76	68	65	63	61	57	54	69
	0.250	80	80	74	71	69	66	60	55	74
550	0.625	82	80	71	68	65	63	59	56	72
	0.250	82	83	77	73	71	68	63	58	77
600	0.750	84	84	74	70	67	65	61	58	74
	0.375	84	86	79	75	73	70	65	60	79
650	1.000	87	86	76	72	69	67	63	59	76
	0.375	85	88	81	77	75	73	67	62	81
700	1.000	87	91	78	74	71	70	66	62	79
	0.500	87	91	83	79	76	75	69	64	83
750	1.250	90	92	80	76	72	71	67	64	81
	0.500	88	92	85	81	78	76	71	66	85
800	1.500	92	93	83	78	74	72	68	65	82
	0.500	89	93	88	83	80	78	73	68	87
850	1.500	91	96	85	80	76	74	71	67	85
	0.625	90	95	90	84	81	79	75	69	88
900	1.500	91	97	88	81	78	76	73	69	87
	0.625	91	96	92	86	83	81	77	71	90
950	2.000	94	98	90	83	79	77	74	70	88
	0.750	92	97	93	87	84	82	78	73	91
1000	2.000	93	99	93	84	80	78	76	72	89
	0.750	92	98	95	89	85	83	80	74	92
1050	2.500	96	100	94	86	81	79	76	72	91
	0.875	93	99	97	90	86	84	81	75	94
1100	2.500	95	101	97	87	83	80	78	74	92
	1.000	94	100	98	91	87	85	82	77	95
1150	3.000	98	102	98	88	84	81	79	75	93
	1.000	95	100	100	93	89	87	83	78	96
1200	3.500	99	104	99	90	85	82	79	75	95

330 SQI-HP

RPM	SP	SOUND POWER re 10 ⁻¹² WATTS OCTAVE BANDS								L _{wi} A
		1	2	3	4	5	6	7	8	
350	0.125	68	66	60	60	59	54	50	45	63
	0.250	72	71	65	63	62	59	54	48	67
400	0.250	71	69	63	62	62	57	53	49	66
	0.125	77	75	69	66	65	62	57	52	70
450	0.375	75	72	66	64	64	61	57	53	68
	0.125	80	79	73	69	68	65	60	55	73
500	0.625	78	75	69	66	65	63	59	56	71
	0.250	83	80	75	71	70	67	63	58	75
550	0.750	81	78	73	68	68	66	62	58	73
	0.250	86	83	79	73	72	70	65	60	78
600	1.000	85	81	76	71	69	68	64	61	75
	0.250	88	86	82	75	74	72	68	63	80
650	1.000	85	83	78	72	71	70	67	63	78
	0.375	91	87	84	77	75	74	70	65	82
700	1.250	88	85	81	74	73	72	68	65	80
	0.500	94	89	86	78	76	76	72	67	84
750	1.500	91	87	83	76	75	74	70	67	82
	0.500	95	91	88	80	78	77	74	69	85
800	1.500	90	89	85	77	76	75	72	69	83
	0.625	96	93	89	82	80	79	75	70	87
850	2.000	95	91	87	80	78	76	73	70	85
	0.625	97	95	91	84	81	80	77	72	89
900	2.000	93	93	89	81	79	78	75	72	87
	0.750	98	97	93	86	82	81	78	74	90
950	2.500	97	95	90	84	80	79	76	73	88
	0.750	98	98	94						

365 SQI-B

RPM	SP	SOUND POWER re 10 ⁻¹² WATTS OCTAVE BANDS								L _{wi} A
		1	2	3	4	5	6	7	8	
350	0.250	76	74	69	67	62	55	48	41	68
	0.250	78	80	73	71	67	59	52	45	73
400	0.375	78	79	72	70	66	59	52	45	72
	0.500	76	76	70	69	65	58	51	45	70
450	0.375	80	84	75	74	70	63	56	49	76
	0.500	79	83	75	73	70	62	56	49	75
	0.625	78	81	73	72	68	61	55	49	74
500	0.375	82	88	78	77	74	67	59	52	79
	0.500	81	88	78	76	74	66	59	52	79
	0.750	81	85	76	75	72	65	58	52	77
	0.875	80	84	75	74	71	64	58	52	76
550	0.500	84	90	82	79	76	70	62	55	82
	0.750	83	89	81	78	76	69	62	55	81
	1.000	83	86	78	77	74	68	61	55	79
600	0.625	86	91	85	81	79	72	65	58	84
	0.750	86	91	85	81	78	72	65	58	84
	1.000	85	89	83	80	77	71	64	58	82
	1.250	84	87	81	79	76	70	64	58	81
650	0.625	88	93	88	83	81	75	68	61	86
	0.750	88	93	88	83	81	75	68	61	86
	1.000	87	92	87	82	80	74	67	61	85
	1.500	86	89	84	80	78	73	66	60	83
700	0.750	89	94	91	85	83	78	70	63	88
	1.000	89	94	90	85	82	77	70	63	88
	1.500	88	91	88	83	81	76	69	62	86
750	0.875	91	95	94	87	85	80	72	65	90
	1.000	91	95	93	87	84	80	72	65	90
	1.500	90	94	92	85	83	78	71	65	89
	2.000	90	92	90	84	82	77	71	65	87
800	1.000	93	96	96	88	86	82	74	67	92

402 SQI-B

RPM	SP	SOUND POWER re 10 ⁻¹² WATTS OCTAVE BANDS								L _{wi} A
		1	2	3	4	5	6	7	8	
300	0.125	75	74	68	63	60	56	50	45	67
	0.125	78	79	73	67	65	61	55	50	71
350	0.250	78	79	73	67	63	60	55	50	71
	0.375	76	77	71	66	63	59	54	49	69
400	0.125	81	83	78	71	68	65	59	54	75
	0.250	81	83	77	71	67	64	59	54	75
	0.500	78	81	75	70	66	62	57	52	73
	0.625	76	79	74	69	65	62	57	52	72
450	0.125	83	87	82	75	71	69	62	57	79
	0.250	83	87	82	74	71	68	62	57	78
	0.500	82	86	80	74	70	66	61	56	77
	0.750	79	83	78	72	68	65	60	55	76
500	0.875	78	82	77	72	68	64	59	55	75
	0.250	85	90	85	77	73	72	65	60	82
	0.500	85	90	85	77	73	70	65	60	81
	0.750	82	88	83	76	72	69	64	59	80
550	1.000	80	86	81	75	71	68	63	58	78
	0.375	87	92	88	80	76	74	68	63	84
	0.500	87	92	88	80	76	73	68	63	84
	0.750	85	91	87	80	75	72	67	62	83
600	1.250	82	87	84	78	73	70	65	61	81
	0.500	88	93	91	83	78	76	71	65	87
	0.750	88	93	90	83	78	75	70	65	86
	1.500	83	88	86	81	76	72	68	63	83
650	0.500	90	95	93	86	80	78	73	68	89
	0.750	90	95	93	86	80	77	73	68	89
	1.500	86	91	90	84	79	75	71	66	86
700	0.125	92	96	95	89	83	81	77	70	92
	0.250	91	96	95	89	83	81	76	70	91
	0.500	91	96	95	89	83	80	76	70	91

365 SQI-HP

RPM	SP	SOUND POWER re 10 ⁻¹² WATTS OCTAVE BANDS								L _{wi} A
		1	2	3	4	5	6	7	8	
350	0.125	72	70	64	63	62	58	53	48	66
400	0.125	77	75	68	67	65	62	57	51	70
	0.250	75	73	66	65	65	61	56	52	69
450	0.375	75	72	65	65	64	60	57	53	69
	0.125	80	79	73	70	68	65	60	55	74
500	0.250	80	77	71	69	68	65	60	55	73
	0.500	78	76	69	67	66	64	60	56	71
550	0.250	84	81	75	72	70	68	63	58	76
	0.500	83	79	73	70	69	67	63	59	75
	0.750	82	79	73	69	68	66	63	59	74
600	0.250	87	84	79	74	73	71	66	61	79
	0.500	88	82	77	73	72	70	65	61	77
	1.000	85	82	76	72	70	68	65	61	76
650	0.250	89	87	82	77	75	73	69	63	81
	0.500	91	85	80	75	74	72	68	63	80
	1.000	86	84	79	73	73	71	68	64	79
700	0.375	92	89	84	78	77	75	71	66	83
	1.250	89	87	82	75	75	73	70	66	81
	0.500	95	90	87	80	78	77	73	68	85
750	1.500	92	89	84	77	76	75	72	68	83
	0.500	97	93	89	82	80	79	75	70	87
	1.500	92	91	86	78	78	77	74	70	85
800	0.625	99	94	91	83	81	81	77	72	89
	2.000	96	93	88	81	79	78	75	72	86
	0.625	99	97	93	86	83	82	79	73	90
850	2.000	95	95	90	82	81	80	77	73	88
	0.750	100	98	94	87	84	83	80	75	92
	2.500	98	97	92	85	82	81	78	75	90
900	0.500	99	100	97	90	86	85	82	77	94
	1.000	102	100	95	89	85	84	81	77	93
	0.625	103	103	100	93	89	88	85	80	97

402 SQI-HP

RPM	SP	SOUND POWER re 10 ⁻¹² WATTS OCTAVE BANDS								L _{wi} A
		1	2	3	4	5	6	7	8	
300	0.125	71	68	63	62	61	56	51	46	65
	0.250	70	66	61	61	59	56	52	48	64
350	0.125	76	74	67	66	65	61	56	50	70
	0.250	74	72	66	65	65	60	56	51	69
400	0.375	75	71	64	64	63	60	56	53	68
	0.125	80	79	72	70	68	65	60	54	73
	0.250	79	77	70	69	68	64	59	55	73
450	0.625	78	75	68	67	66	63	59	56	71
	0.250	84	81	75	72	71	68	63	58	76
	0.750	82	79	72	70	69	66	63	59	74
500	0.250	87	85	79	75	74	71	66	61	79
	1.000	86	82	76	72	71	69	65	62	77
	0.375	91	87	82	77	76	73	69	64	81
550	1.250	89	85	79	75	73	71	68	64	79
	0.500	94	89	84	79	77	76	71	66	83
	1.500	92	88	82	77	75	74	70	67	82
600	0.500	96	92	87	81	79	78	74	69	86
	1.500	93	90	85	78	78	76	73	69	84
	0.625	99	94	90	83	81	80	76	71	88
650	2.000	97	92	87	80	79	78	74	71	86
	0.625	100	96	92	84	83	82	78	73	90
	2.000	97	94	89	81	81	80	77	73	88
700	0.750	102	98	94	86	84	84	80	75	92
	2.500	100	96	92	84	82	81	78	74	90
	0.750	103	100	96	89	86	85	81	76	94
750	3.000	102	98	93	86	84	82	80	76	91
	0.875	104	102	98	91	87	86	83	78	95
	3.500	104	100	95	88	85	84	81	77	93
800	0.625	103	103	100	93	89	88	85	80	97
	1.000	105	103	99	92	89	87	84	80	97

The sound power level ratings shown are in decibels referred to 10⁻¹² watts calculated per AMCA Standard 301. The A-weighted sound ratings shown have been calculated per AMCA Standard 301. Values shown are for inlet L_{wi} and inlet L_{wi}A sound power levels for Installation Type B: free inlet, ducted outlet. Ratings do not include the effects of duct end correction.



LOREN COOK COMPANY

2015 E. DALE STREET
SPRINGFIELD, MO 65803-4637

417.869.6474

FAX 417.862.3820

lorencook.com