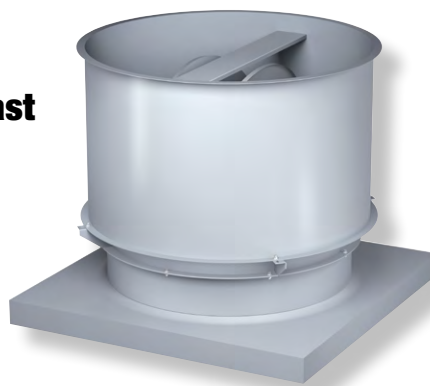


UPBLAST & HOODED PROPELLER ROOF VENTILATORS



Hooded

Upblast



MODELS: D53/B53; HD53/HB53



Overview

D53 | B53 | HD53 | HB53



Model B53 Upblast Roof Ventilator



Model HD53 Upblast Roof Ventilator

Aerovent Hooded Roof Ventilators provide cost effective, general purpose ventilation solutions for commercial and light industrial applications. The aesthetically pleasing modular hood design minimizes extension above the roof line. Both direct and belted models are available in exhaust, supply or filtered supply configurations. A wide array of fixed pitch, fabricated steel or adjustable pitch, cast aluminum propellers are available to meet specific performances and application requirements. Aerovent also offers a complete line of options and accessories such as roof curbs, backdraft dampers, disconnect switches and special coatings to maintain single source responsibility.

Typical Applications Include

Warehouse Ventilation, Office Ventilation, General HVAC, Gymnasium Ventilation, Factory Ventilation, Greenhouse Ventilation, Attic Exhaust, Hospital Exhaust, Agriculture, Manufacturing Exhaust, Paper Mills, Foundry, Textile, Commercial Plan and Spec, Office Ventilation

Configurations

Direct and Belt Driven

Propeller Type

L2 and L4 Blade

Optional Construction

Corrosion Resistance, Spark Resistant Construction, Fiberglass Hoods

Certifications

AMCA Air, Fan Efficiency Grade (FEG)



Aerovent certifies that the Direct Drive and Belted Model 53 Roof Ventilators, sizes 12" through 60", shown on pages 7 through 11 are licensed to bear the AMCA Seal. The ratings shown are based on tests and procedures performed in accordance with AMCA Publication 211 and comply with the requirements of the AMCA Certified Ratings Program.

Size 72" Direct Drive and Belted Model 53 Roof Ventilators shown on pages 9 and 11 are not licensed to bear the AMCA Seal.



Fan Efficiency Grade (FEG) certification applies to all Model 53 Direct Drive Roof Ventilator sizes except 12M621, 14L422, 14L428, 16L432, 18L430, 18L432, 21L424, 21L430, 21L432, 24L220 and 24L226. Fan Efficiency Grade (FEG) certification applies to Model 53 Belted Drive Roof Ventilator sizes 24" through 60".



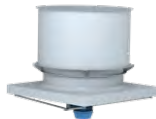
For complete product performance, drawings, and available accessories, Download Fan Selector 10 at aerovent.com.

Upblast

The Model 53 Upblast Roof Ventilator is designed for heavy duty exhaust and well suited for continuous use. Each Model 53 Upblast features a steel base plate welded to tubular steel struts to form a strong support for the motor and mounting base. All Model 53 Upblast Roof Ventilators use statically and dynamically balanced airfoil propellers for optimal performance and longevity.

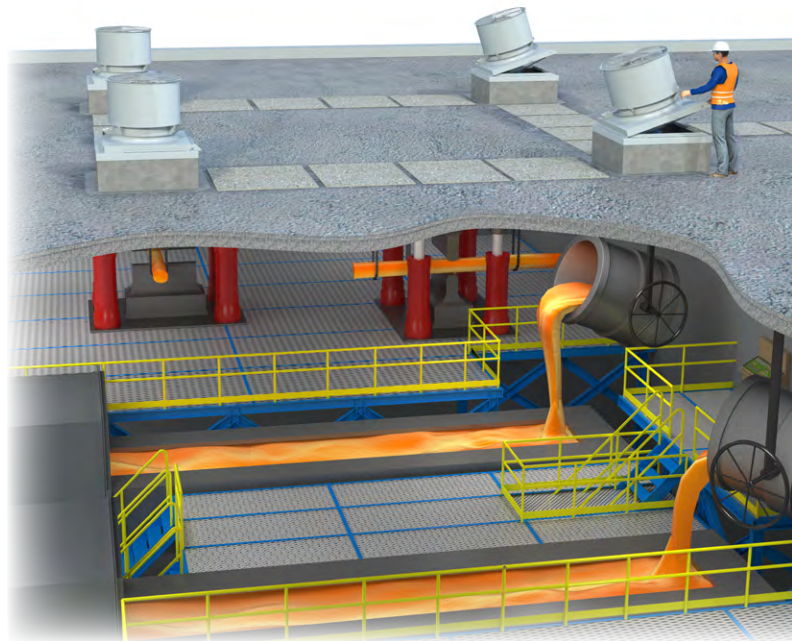
D53 (Direct Drive)

12" to 72" propeller diameters
Airflow to 85,500 CFM
Static pressure to 0.75" w.g.



B53 (Belted)

24" to 72" propeller diameters
Airflow to 91,900 CFM
Static pressure to 0.75" w.g.



Upblast Roof Ventilators - Foundry Exhaust

Hooded

The Model 53 Hooded Roof Ventilators are high capacity, general supply or exhaust units well suited to applications that require the quiet and efficient movement of large volumes of air in both commercial and industrial environments. The Model 53 Hooded Roof Ventilator is constructed of heavy-gauge steel panels, a steel base plate welded to tubular steel struts and a deep smooth orifice to allow for greater airflow efficiency. All Model 53 Hooded Roof Ventilators use statically and dynamically balanced airfoil propellers for optimal performance and longevity.

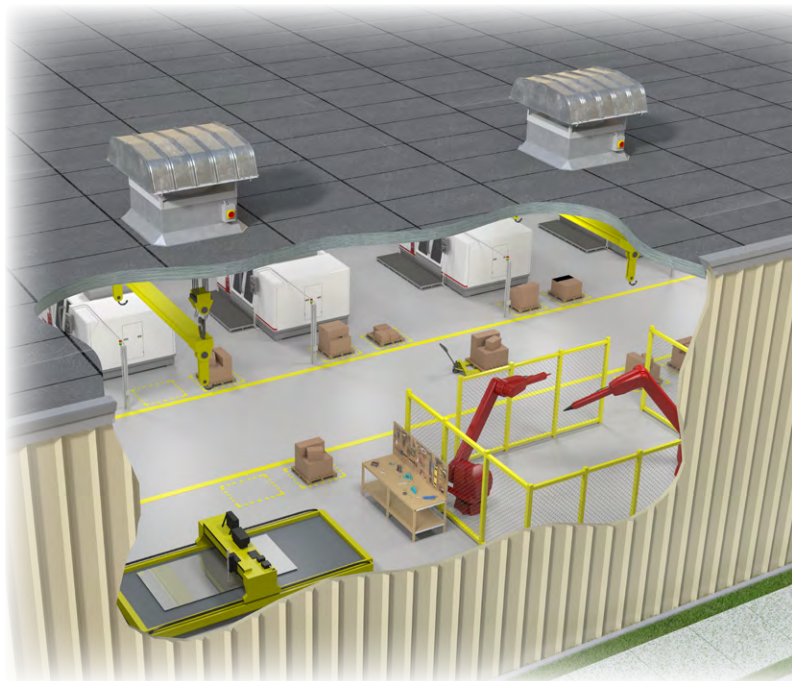
HD53 (Direct Drive)

24" to 60" propeller diameters
Airflow to 60,400 CFM
Static pressure to 0.75" w.g.



HB53 (Belt Driven)

24" to 60" propeller diameters
Airflow to 58,900 CFM
Static pressure to 0.75" w.g.



Manufacturing Plant - General Exhaust



Model 53 Hooded Roof Ventilators

The Model 53 Hooded Roof Ventilators are high capacity, general supply or exhaust units well suited to applications that require the quiet and efficient movement of large volumes of air in both commercial and industrial environments. The Model 53 Hooded Roof Ventilator is constructed of heavy-gauge steel panels, a steel base plate welded to tubular steel struts and a deep smooth orifice to allow for greater airflow efficiency. All Model 53 Hooded Roof Ventilators use statically and dynamically balanced airfoil propellers for optimal performance and longevity.

Sizes 24 thru 60 use a hood that is constructed of heavy gauge galvanized steel. Corrosion resistant fiberglass reinforced plastic hoods and other special materials are also available. Hoods are attached to the fan with heavy structural angle supports for added stability. The Hooded Model 53 is constructed with close tolerances between the propeller tips and the exhaust orifice to take advantage of the propeller's full area for maximum efficiency.

Model HD53 (Direct Drive)

The Model HD53 uses steel construction as standard. Hot dip galvanized, stainless or all aluminum construction is optional. All units are cleaned, chemically pretreated using a phosphatizing process and painted inside and out with a light gray enamel finish.

Model HB53 (Belted)

The same heavy duty construction of the Model HD53 is also standard in the Model HB53 Roof Ventilator. Belted units are supplied with sealed pillow block bearings and cast iron sheaves with static conducting belts. Adjustment of the belt tension is easily accomplished with an adjustable motor base.



Model 53 Upblast Roof Ventilators

The Model 53 Upblast Roof Ventilator is designed for heavy duty exhaust and well suited for continuous use. Each Model 53 Upblast features a steel base plate welded to tubular steel struts to form a strong support for the motor and mounting base. All Model 53 Upblast Roof Ventilators use statically and dynamically balanced airfoil propellers for optimal performance and longevity.

The unit's rolled steel circular windband cuts down on wind resistance and is easily removable for access to the motor and propeller. Flanges are integrally formed for increased strength. The Model 53 Upblast Roof Ventilator is constructed with close tolerances between the propeller tips and the exhaust orifice to take advantage of the propeller's full area for maximum efficiency.

The Model 53 Upblast Roof Ventilator also features a set of free action, positive force dampers as standard. Dampers open automatically when the fan turns on and close when the fan is not running. During operation, discharge velocity prevents rain or snow from entering the fan. Dampers for the Model 53 Upblast Roof Ventilator ride on rust free bearings to reduce maintenance and increase life.

L2 blade and L4 blade propellers are used throughout the size range in both direct drive and belted models.

Model D53 (Direct Drive)

The Model D53 uses steel construction as standard. Hot dip galvanized, stainless or all aluminum construction is optional. All units are cleaned, chemically pretreated using a phosphatizing process and painted inside and out with a light gray enamel finish.

Model B53 (Belted)

The Model B53 uses the same steel construction as the Model D53 and is also available in hot dip galvanized, stainless and all aluminum construction.

The Belted Model 53 Roof Ventilator offers a more economical approach to a low-speed, quiet upblast roof ventilator for handling non-contaminated air. Since belts and sheaves are in the airstream, the unit should not be used to handle high temperature or corrosive air. Drive selection for these fans carries a rating of from 1.3 to 2 times the normal satisfactory capacity.

Propellers

Type "L" Prop

Aerovent's trademark propeller designs are suitable for a wide variety of applications. Each propeller is manufactured to withstand the punishing loads and high rotational speeds characteristic of fan operation.

All propellers and hubs are cast from 319 aluminum as standard. Propeller sizes 9" through 72" are cast solid. For specific applications such as high temperature environments (600°F maximum), cast solid propellers are available in 240 aluminum alloy and, for corrosive environments, propellers are available in Dura-Metal (aluminum bronze, 500°F maximum) alloy.

Aerovent's trademark Macheta® propeller design is the result of many years of research and development of cast aluminum airfoil propellers. Through this research, Aerovent developed the Macheta® tip on the trailing edge of each blade to increase the fan performance.

Type L

Available in a two-blade design on sizes 24" through 72", and a four-blade design on sizes 14" through 72". The Type L propeller was designed from the Type M Macheta® propeller, but features wider blades to meet high volumes and low noise requirements at reduced speeds.

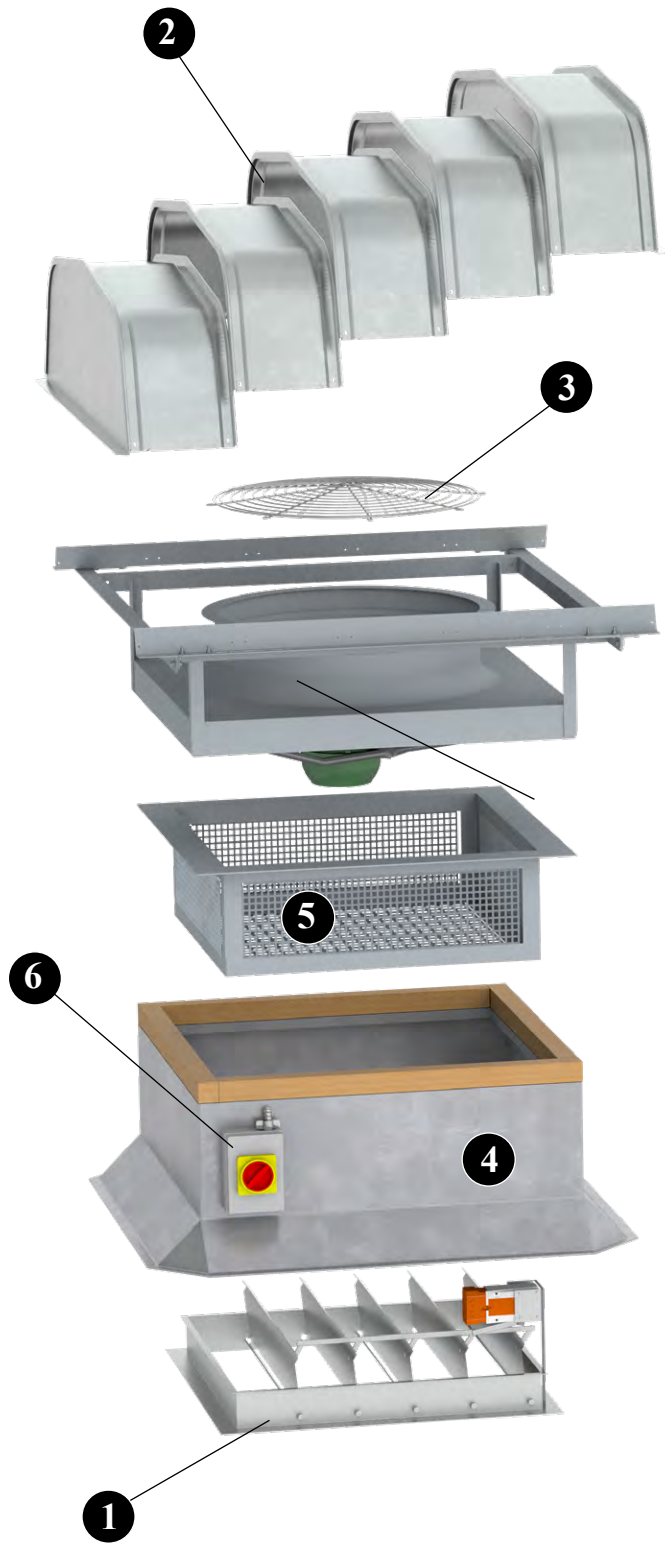
For a specified horsepower, the two-blade and four-blade designs have similar performance characteristics. Both the two-blade and four-blade designs offer quiet operation. However, the four-blade design is slightly quieter and should be used in applications where sound is critical. The two-blade configuration should be used when first cost is important.



L4 Blade Propeller



L2 Blade Propeller



1 Shutter/Damper (Motorized) Motorized shutters are recommended for low CFM applications to assure unrestricted airflow..

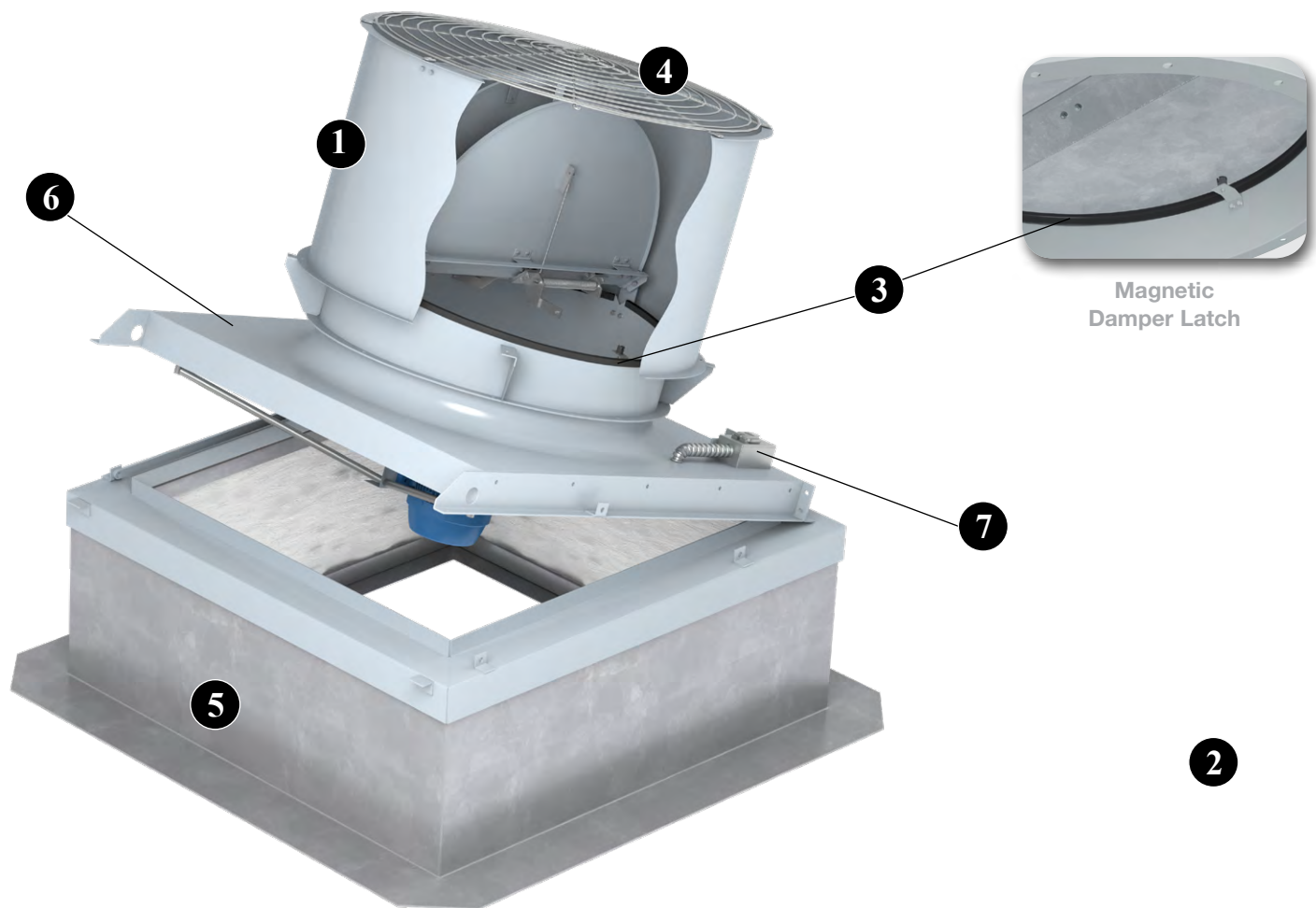
2 Galvanized Modular Hoods The stackable hood panels allow for easy field assembly when necessary. The snap together rib design provides added strength and rigidity. Hoods are constructed of galvanized steel as standard.

3 Birdscreens are available for mounting inside the hood of the penthouse. They are easily removed during maintenance. Screens are manufactured from expanded aluminum and are used in lieu of filters.

4 Canted Roof Curb are available in heavy duty galvanized steel or aluminum construction, in heights of 8", 12" or 18". The canted curb is provided with a factory installed wood nailer. Curbs are provided with 1.5" of insulation as standard and feature continuously welded seams for added rigidity and moisture protection. Prefabricated curbs are also available in raised cant, pitched and peak models. Refer to Catalog 4910 for complete details on roof curb options. Minimum 12" high curbs are recommended for use with motorized dampers.

5 Inlet Guards (Basket Guard) are offered to protect personnel from the moving parts. Recommended for use when no ductwork is attached to the inlet and/or outlet. Guards are removable for routine inspection and cleaning of the propeller.

6 NEMA 4, water and dust tight, disconnect is available shipped loose for field mounting and wiring or factory mounted and wired externally.



1 Stack Cap Constructed of heavy gauge galvanized steel with bolted seams. Reinforcing flange provides rigidity, strength and safe handling. The stack cap is removable with four bolts, allowing access to the fan through the damper blades.

2 Fusible Link assembly can be added to the standard butterfly dampers in the discharge cap. When the temperature through the ventilator exceeds 165°F, the fusible link releases a spring operated damper opener, providing gravity ventilation in case electricity to the ventilator is interrupted in a fire.

3 Magnetic Damper Latch is used to hold butterfly dampers closed when fan is not in operation. Damper blades must be steel with magnetic damper latches.

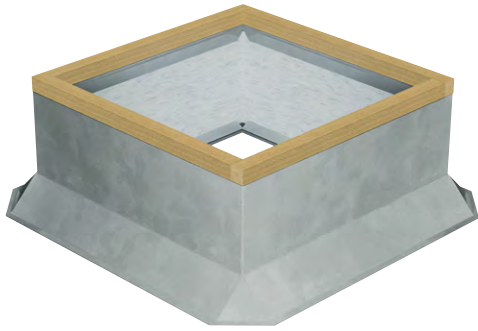
4 Outlet Guard Spiral wire type inlet and outlet guards, featuring an electrostatic zinc finish, are offered to protect personnel from the moving parts. Recommended for use when no ductwork is attached to the inlet and/or outlet. Not available on flanged connections.

5 Self-Flashing Roof Curb Prefabricated roof curbs are available in heavy duty galvanized steel or aluminum construction, in heights of 8", 12" or 18". The self-flashing curb is provided with a factory installed 3/16" polystyrene gasket. Curbs are provided with 1.5" of insulation as standard and feature continuously welded seams for added rigidity and moisture protection.

Prefabricated curbs are also available in raised cant, pitched and peak models. Refer to Catalog 4910 for complete details on roof curb options. Minimum 12" high curbs are recommended for use with motorized dampers.

6 Hinged Base An optional mounting arrangement, available in sizes from 12" through 48", which allows convenient service access to motors, propellers, or drive components.

7 NEMA 3R Disconnect Switch, rain proof, disconnect is available shipped loose for field mounting and wiring or factory mounted and wired. Also available with a NEMA 4 switch.



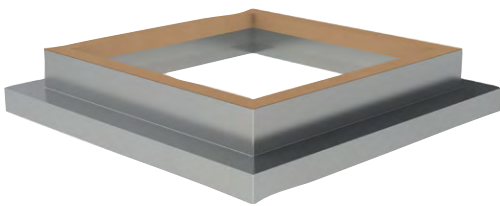
Canted Roof Curbs

- Constructed of 18-gauge galvanized steel with continuous welded seams
- Large 3" built-in 45° cant to accommodate roofing material to top of curb. Cant is beveled at corners for better support of roofing material
- Wood nailer (1½") secured to top ledge
- Lined with 1½" fiberglass fire-resistant, sound-absorbing insulation
- Damper shelf standard
- Options: Aluminum (16-gauge) construction, Burglar security bars, Metal liner (galvanized or aluminum), Special heights up to 24", Single or double pitched curbs for sloping roofs



Self Flashing & Straight Sided Roof Curbs

- Constructed of 18-gauge galvanized steel with continuous welded seams
- Wide base plate (flashing) to insure watertight seal to roof
- Top ledge covered with ¾" polystyrene gasket for weather seal and to reduce metal-to-metal conducted noise
- Lined with 1½" fiberglass fire-resistant, sound-absorbing insulation
- Damper shelf standard
- Straight-sided roof curbs are constructed with the same features as the self-flashing curbs, but are one dimensional to allow for field supplied cants and roofing material to be brought up to the top of the curb
- Options: Aluminum (16-gauge) construction, Burglar security bars, Metal liner (galvanized or aluminum), Special heights up to 24", Wood nailer (1½") secured to top ledge in lieu of polystyrene gasket, Single or double pitched curbs for sloping roofs



Curb Adapters

- Constructed of heavy-gauge galvanized steel with continuous welded seams
- Top ledge covered with ¾" polystyrene gasket to reduce metal-to-metal conducted noise and act as a weather seal
- Available in enlarger or reducer (shown) models

Disconnect switches provide positive electrical shutoff during fan cleaning or maintenance.

NEMA 1 Disconnect Switch (Standard)

A NEMA 1 disconnect switch is available shipped loose for field mounting and wiring or factory mounted and wired with ODP or TEFC motors.



NEMA 1 Disconnect Switch

NEMA 3R Disconnect Switch

A NEMA 3R, rain proof, disconnect is available shipped loose for field mounting and wiring or factory mounted and wired externally.



NEMA 3R Disconnect Switch

NEMA 4 Disconnect Switch

A NEMA 4, water and dust tight, disconnect is available shipped loose for field mounting and wiring or factory mounted and wired externally.



NEMA 4 Disconnect Switch

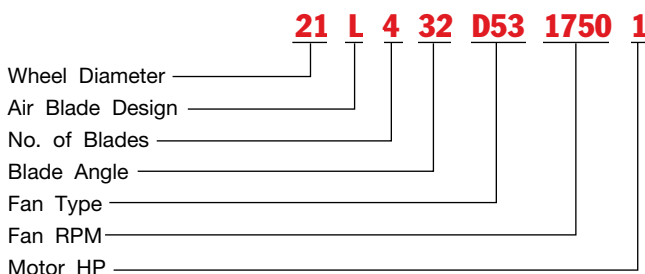
NEMA 7/9 Disconnect Switch

A NEMA 7/9 disconnect switch is recommended on fans with explosion proof motors. The NEMA 7/9 switch is designed for use with fans operating in hazardous environments. Available shipped loose for field mounting and wiring. (Not shown.)

Model D53 Direct Drive Upblast Roof Ventilators

To identify a specific fan for ordering or engineering specification, it is necessary to show the complete information in the tables below under catalog number. All performance data is available in curve form upon request.

Catalog Numbering System



D53 | SIZE 12 (305 mm)

Outlet Area: 0.785 ft²

CATALOG NUMBER				CUBIC FT. PER MIN. & HORSEPOWER AT STATIC PRESSURE												FAN EFFICIENCY GRADE
PROP	FAN TYPE	RPM	HP	0" SP		1/8" SP		1/4" SP		3/8" SP		1/2" SP		3/4" SP		
				CFM	BHP	CFM	BHP	CFM	BHP	CFM	BHP	CFM	BHP	CFM	BHP	
12M621	D53	3450	1/2	2115	0.53	2057	0.54	1997	0.55	1934	0.55	1866	0.55	1677	0.56	N/A

D53 | SIZE 14 (356 mm)

Outlet Area: 1.098 ft²

CATALOG NUMBER				CUBIC FT. PER MIN. & HORSEPOWER AT STATIC PRESSURE												FAN EFFICIENCY GRADE
PROP	FAN TYPE	RPM	HP	0" SP		1/8" SP		1/4" SP		3/8" SP		1/2" SP		3/4" SP		
				CFM	BHP	CFM	BHP	CFM	BHP	CFM	BHP	CFM	BHP	CFM	BHP	
14L422	D53	3450	1/2	2712	0.49	2592	0.52	2464	0.53	2329	0.54	2182	0.53	1815	0.52	N/A
14L428	D53	3450	3/4	3167	0.74	3038	0.76	2903	0.78	2760	0.78	2607	0.78	2286	0.78	N/A

D53 | SIZE 16" (406 mm)

Outlet Area: 1.418 ft²

CATALOG NUMBER				CUBIC FT. PER MIN. & HORSEPOWER AT STATIC PRESSURE												FAN EFFICIENCY GRADE
PROP	FAN TYPE	RPM	HP	0" SP		1/8" SP		1/4" SP		3/8" SP		1/2" SP		3/4" SP		
				CFM	BHP	CFM	BHP	CFM	BHP	CFM	BHP	CFM	BHP	CFM	BHP	
16L432	D53	1725	1/4	2472	0.23	2152	0.23	1742	0.23							N/A
16L422	D53	3450	1	4047	0.96	3910	1.00	3768	1.02	3618	1.04	3462	1.05	3110	1.04	FEG56

D53 | SIZE 18 (457 mm)

Outlet Area: 1.804 ft²

CATALOG NUMBER				CUBIC FT. PER MIN. & HORSEPOWER AT STATIC PRESSURE												FAN EFFICIENCY GRADE
PROP	FAN TYPE	RPM	HP	0" SP		1/8" SP		1/4" SP		3/8" SP		1/2" SP		3/4" SP		
				CFM	BHP	CFM	BHP	CFM	BHP	CFM	BHP	CFM	BHP	CFM	BHP	
18L430	D53	1725	1/3	3302	0.34	2877	0.35	2501	0.35							N/A
18L432	D53	1725	1/2	3436	0.38	3063	0.39	2639	0.39							N/A

D53 | SIZE 21 (533 mm)

Outlet Area: 2.463 ft²

CATALOG NUMBER				CUBIC FT. PER MIN. & HORSEPOWER AT STATIC PRESSURE												FAN EFFICIENCY GRADE
PROP	FAN TYPE	RPM	HP	0" SP		1/8" SP		1/4" SP		3/8" SP		1/2" SP		3/4" SP		
				CFM	BHP	CFM	BHP	CFM	BHP	CFM	BHP	CFM	BHP	CFM	BHP	
21L424	D53	1725	1/2	4602	0.48	4288	0.50	3928	0.52	3489	0.52	2899	0.52			N/A
21L430	D53	1725	3/4	5242	0.73	4734	0.74	4288	0.75	3848	0.76					N/A
21L432	D53	1750	1	5535	0.86	5115	0.88	4644	0.88	4159	0.89	3525	0.88			N/A

Notes:

- Performance shown is for Installation Type A: Free Inlet, Free Outlet.
- Performance ratings include the effects of a stack cap damper in the airstream.

D53 | SIZE 24 (610 mm)

Outlet Area: 3.243 ft²

CATALOG NUMBER				CUBIC FT. PER MIN. & HORSEPOWER AT STATIC PRESSURE												FAN EFFICIENCY GRADE
PROP	FAN TYPE	RPM	HP	0" SP		1/8" SP		1/4" SP		3/8" SP		1/2" SP		3/4" SP		
				CFM	BHP	CFM	BHP	CFM	BHP	CFM	BHP	CFM	BHP	CFM	BHP	CFM
24L232	D53	1160	1/3	5489	0.36	4391	0.34									FEG50
24L220	D53	1725	1/2	6376	0.55	5737	0.56	5028	0.56	4204	0.56					N/A
24L226	D53	1725	3/4	7364	0.82	6709	0.83	5987	0.82	5105	0.80					N/A
24L230	D53	1750	1	7980	1.09	7352	1.09	6629	1.07	5749	1.03	4532	0.96			FEG53
24L428	D53	1160	1/2	6197	0.49	5524	0.51	4713	0.51							FEG60
24L432	D53	1160	3/4	6720	0.64	6048	0.64	5219	0.64							FEG56
24L426	D53	1750	1 1/2	8956	1.46	8520	1.51	8053	1.54	7545	1.56	6996	1.57	5636	1.54	FEG60
24L432	D53	1750	2	10138	2.19	9713	2.21	9257	2.21	8759	2.21	8207	2.20	6796	2.13	FEG56

D53 | SIZE 30 (762 mm)

Outlet Area: 5.032 ft²

CATALOG NUMBER				CUBIC FT. PER MIN. & HORSEPOWER AT STATIC PRESSURE												FAN EFFICIENCY GRADE
PROP	FAN TYPE	RPM	HP	0" SP		1/8" SP		1/4" SP		3/8" SP		1/2" SP		3/4" SP		
				CFM	BHP	CFM	BHP	CFM	BHP	CFM	BHP	CFM	BHP	CFM	BHP	CFM
30L226	D53	1160	3/4	9672	0.76	8431	0.77	6925	0.75							FEG56
30L232	D53	1160	1	10721	1.09	9444	1.06	7851	1.00							FEG50
30L222	D53	1750	2	13347	2.00	12585	2.02	11785	2.05	10943	2.09	9989	2.08	7421	1.95	FEG60
30L230	D53	1750	3	15586	3.34	14818	3.34	13987	3.32	13070	3.28	12036	3.21	9370	2.99	FEG53
30L432	D53	870	3/4	9843	0.82	8709	0.83	7242	0.82							FEG56
30L428	D53	1160	1 1/2	12103	1.48	11286	1.52	10380	1.55	9346	1.55	8039	1.54			FEG56
30L432	D53	1160	2	13124	1.95	12311	1.96	11399	1.97	10339	1.95	9001	1.90			FEG53

D53 | SIZE 36 (914 mm)

Outlet Area: 7.229 ft²

CATALOG NUMBER				CUBIC FT. PER MIN. & HORSEPOWER AT STATIC PRESSURE												FAN EFFICIENCY GRADE
PROP	FAN TYPE	RPM	HP	0" SP		1/8" SP		1/4" SP		3/8" SP		1/2" SP		3/4" SP		
				CFM	BHP	CFM	BHP	CFM	BHP	CFM	BHP	CFM	BHP	CFM	BHP	CFM
36L226	D53	870	3/4	12823	0.75	10723	0.76	8083	0.72							FEG60
36L232	D53	870	1	14012	1.05	11818	1.02	8704	0.97							FEG53
36L214	D53	1160	3/4	11971	0.72	10517	0.73	8900	0.73	6809	0.71					FEG67
36L218	D53	1160	1	13872	0.99	12548	1.03	10932	1.05	9037	1.05	6261	0.96			FEG67
36L224	D53	1160	1 1/2	16444	1.54	14903	1.58	13303	1.60	11516	1.58	8924	1.60			FEG63
36L228	D53	1160	2	17571	1.99	16203	2.00	14580	2.00	12516	1.95	9140	1.82			FEG60
36L212	D53	1750	2	16452	2.07	15522	2.09	14546	2.11	13516	2.12	12425	2.12	9874	2.07	FEG67
36L216	D53	1750	3	19366	2.84	18533	2.89	17642	2.94	16675	2.97	15619	3.00	13206	3.00	FEG67
36L224	D53	1750	5	24808	5.30	23797	5.36	22769	5.41	21727	5.45	20671	5.47	18413	5.45	FEG63
36L428	D53	870	1 1/2	16022	1.44	14605	1.49	13112	1.53	11425	1.54					FEG63
36L426	D53	1160	3	20255	3.02	19354	3.12	18375	3.20	17277	3.27	16079	3.32	13436	3.35	FEG63

D53 | SIZE 42 (1067 mm)

Outlet Area: 9.794 ft²

CATALOG NUMBER				CUBIC FT. PER MIN. & HORSEPOWER AT STATIC PRESSURE												FAN EFFICIENCY GRADE
PROP	FAN TYPE	RPM	HP	0" SP		1/8" SP		1/4" SP		3/8" SP		1/2" SP		3/4" SP		
				CFM	BHP	CFM	BHP	CFM	BHP	CFM	BHP	CFM	BHP	CFM	BHP	CFM
42L220	D53	870	1	17691	1.05	15321	1.09	12803	1.10	9238	1.07					FEG67
42L226	D53	870	1 1/2	20362	1.63	18002	1.63	15219	1.62	11397	1.51					FEG60
42L232	D53	870	2	22251	2.26	19756	2.23	16805	2.17							FEG56
42L214	D53	1160	1 1/2	19010	1.56	17329	1.56	15553	1.57	13542	1.59	11048	1.54			FEG67
42L218	D53	1160	2	22028	2.15	20519	2.21	18783	2.26	16780	2.28	14545	2.26			FEG67
42L222	D53	1160	3	24818	2.88	23096	2.96	21353	3.00	19516	3.01	17370	2.98			FEG67
42L228	D53	1160	5	27901	4.30	26337	4.33	24585	4.34	22555	4.32	20107	4.23			FEG60
42L214	D53	1750	5	28679	5.34	27582	5.35	26458	5.37	25307	5.38	24133	5.40	21589	5.43	FEG67
42L218	D53	1750	7 1/2	33232	7.38	32265	7.47	31247	7.55	30170	7.63	29015	7.70	26452	7.82	FEG67
42L222	D53	1750	10	37441	9.89	36307	10.02	35162	10.12	34006	10.21	32849	10.27	30499	10.34	FEG67
42L428	D53	695	1 1/2	20325	1.58	18246	1.65	16019	1.69	13251	1.68					FEG63
42L426	D53	870	3	24122	2.75	22704	2.87	21105	2.96	19267	3.03	17360	3.07			FEG63
42L428	D53	1160	7 1/2	33923	7.36	32702	7.49	31454	7.61	30179	7.71	28885	7.79	26124	7.88	FEG63

Notes:

- Performance shown is for Installation Type A: Free Inlet, Free Outlet.
- Performance ratings include the effects of a stack cap damper in the airstream.

D53 | SIZE 48 (1219 mm)

Outlet Area: 12.763 ft²

CATALOG NUMBER				CUBIC FT. PER MIN. & HORSEPOWER AT STATIC PRESSURE												FAN EFFICIENCY GRADE	
PROP	FAN TYPE	RPM	HP	0" SP		1/8" SP		1/4" SP		3/8" SP		1/2" SP		3/4" SP			
				CFM	BHP	CFM	BHP	CFM	BHP	CFM	BHP	CFM	BHP	CFM	BHP	CFM	BHP
48L226	D53	695	1½	24281	1.62	20834	1.63	16667	1.59								FEG60
48L232	D53	695	2	26533	2.25	22915	2.21	18286	2.13								FEG56
48L220	D53	870	2	26407	2.04	23712	2.11	20913	2.15	17843	2.14	13231	2.06				FEG67
48L226	D53	870	3	30395	3.17	27754	3.18	24705	3.19	21367	3.13						FEG60
48L232	D53	870	5	33214	4.40	30409	4.36	27282	4.29	23503	4.20						FEG56
48L214	D53	1160	3	28376	3.03	26469	3.05	24482	3.06	22369	3.07	20007	3.09	13732	2.87		FEG67
48L220	D53	1160	5	35209	4.84	33203	4.93	31158	5.01	29076	5.07	26921	5.10	21963	5.05		FEG67
48L226	D53	1160	7½	40527	7.52	38599	7.53	36533	7.54	34271	7.57	31865	7.55	26566	7.29		FEG60
48L232	D53	1160	10	44285	10.44	42228	10.39	40050	10.32	37738	10.23	35222	10.13	28884	9.78		FEG56
48L426	D53	695	3	28765	2.74	26713	2.87	24312	2.97	21643	3.04	18440	3.02				FEG63

D53 | SIZE 54 (1372 mm)

Outlet Area: 16.499 ft²

CATALOG NUMBER				CUBIC FT. PER MIN. & HORSEPOWER AT STATIC PRESSURE												FAN EFFICIENCY GRADE	
PROP	FAN TYPE	RPM	HP	0" SP		1/8" SP		1/4" SP		3/8" SP		1/2" SP		3/4" SP			
				CFM	BHP	CFM	BHP	CFM	BHP	CFM	BHP	CFM	BHP	CFM	BHP	CFM	BHP
54L222	D53	695	2	31602	2.18	27887	2.26	23893	2.27	18513	2.18						FEG67
54L228	D53	695	3	35529	3.25	32040	3.28	27647	3.25	21238	3.06						FEG60
54L224	D53	870	5	41624	4.95	38554	5.04	35404	5.10	32078	5.10	28308	5.05				FEG63
54L232	D53	870	7½	47291	7.94	44170	7.88	40783	7.79	36999	7.68	32412	7.51				FEG53
54L214	D53	1160	5	40403	5.46	38267	5.48	36056	5.50	33778	5.52	31339	5.55	25569	5.52		FEG67
54L218	D53	1160	7½	46820	7.55	44924	7.67	42886	7.79	40654	7.89	38187	7.98	32718	8.01		FEG67
54L222	D53	1160	10	52746	10.12	50542	10.29	48311	10.43	46067	10.52	43809	10.57	38701	10.54		FEG67
54L426	D53	695	5	40957	4.93	38680	5.12	36138	5.29	33208	5.41	30186	5.49				FEG63
54L426	D53	870	10	51270	9.67	49483	9.92	47579	10.15	45529	10.35	43254	10.51	38452	10.75		FEG63

D53 | SIZE 60 (1524 mm)

Outlet Area: 20.295 ft²

CATALOG NUMBER				CUBIC FT. PER MIN. & HORSEPOWER AT STATIC PRESSURE												FAN EFFICIENCY GRADE	
PROP	FAN TYPE	RPM	HP	0" SP		1/8" SP		1/4" SP		3/8" SP		1/2" SP		3/4" SP			
				CFM	BHP	CFM	BHP	CFM	BHP	CFM	BHP	CFM	BHP	CFM	BHP	CFM	BHP
60L220	D53	695	3	41201	3.18	36983	3.28	32603	3.34	27792	3.34	20513	3.20				FEG67
60L228	D53	695	5	48737	5.51	44931	5.54	40413	5.54	34660	5.39	25098	5.01				FEG60
60L218	D53	870	5	48168	5.39	45315	5.52	42115	5.63	38442	5.72	34375	5.73	23974	5.30		FEG67
60L222	D53	870	7½	54266	7.23	50992	7.40	47669	7.51	44298	7.56	40501	7.54	30586	7.19		FEG67
60L228	D53	870	10	61009	10.81	58048	10.86	54792	10.88	51120	10.87	46875	10.76	34819	10.09		FEG60
60L212	D53	1160	7½	50487	7.75	48159	7.83	45739	7.88	43213	7.92	40567	7.93	34808	7.90		FEG67
60L216	D53	1160	10	59428	10.62	57347	10.79	55151	10.94	52815	11.07	50300	11.17	44709	11.28		FEG67
60L220	D53	1160	15	68767	14.77	66268	14.96	63738	15.13	61176	15.27	58590	15.40	53258	15.55		FEG67
60L424	D53	695	7½	53721	7.26	50981	7.52	48118	7.73	45109	7.90	41967	8.03	34785	8.12		FEG67
60L424	D53	870	15	67248	14.24	65075	14.57	62843	14.87	60547	15.14	58176	15.36	53210	15.71		FEG67

Notes:

1. Performance shown is for Installation Type A: Free Inlet, Free Outlet.
2. Performance ratings include the effects of a stack cap damper in the airstream.

D53 | SIZE 72 (1829 mm)

Outlet Area: 29.065 ft²

CATALOG NUMBER				CUBIC FT. PER MIN. & HORSEPOWER AT STATIC PRESSURE												FAN EFFICIENCY GRADE	
PROP	FAN TYPE	RPM	HP	0" SP		1/8" SP		1/4" SP		3/8" SP		1/2" SP		3/4" SP			
				CFM	BHP	CFM	BHP	CFM	BHP	CFM	BHP	CFM	BHP	CFM	BHP	CFM	BHP
72L214	D53	695	5	58217	4.86	53864	5.05	48924	5.15	43229	5.13	36590	5.02				N/A
72L220	D53	695	7½	72199	7.79	67881	8.01	63237	8.15	58172	8.21	52434	8.17	37172	7.62		N/A
72L224	D53	695	10	79482	10.42	74943	10.56	70134	10.65	65003	10.69	59461	10.71	45131	10.13		N/A
72L412	D53	695	7½	58376	7.40	55501	7.66	52506	7.87	49379	8.04	46088	8.15	38656	8.05		N/A
72L415	D53	695	10	67757	8.95	65065	9.35	62258	9.69	59325	9.94	56249	10.09	49338	10.42		N/A
72L421	D53	695	15	85585	14.29	82815	14.69	79898	15.07	76805	15.42	73477	15.73	66153	16.22		N/A

Notes:

1. Performance shown is for Installation Type A: Free Inlet, Free Outlet.
2. Performance ratings include the effects of a stack cap damper in the airstream.

Size 72" is not licensed to bear the AMCA Seal.

Model B53 Belted Upblast Roof Ventilators

B53 | SIZE 24 (610 mm)

Outlet Area: 3.243 ft²

CATALOG NUMBER				CUBIC FT. PER MIN. & HORSEPOWER AT STATIC PRESSURE												FAN EFFICIENCY GRADE
				0" SP		1/8" SP		1/4" SP		3/8" SP		1/2" SP		3/4" SP		
PROP	FAN TYPE	RPM	HP	CFM	BHP	CFM	BHP	CFM	BHP	CFM	BHP	CFM	BHP	CFM	BHP	
24L428	B53	1145	1/2	5834	0.55	5387	0.55	4612	0.56							FEG56
24L428	B53	1311	3/4	6680	0.82	6305	0.83	5792	0.84	4928	0.83					FEG56
24L428	B53	1443	1	7352	1.10	7019	1.11	6605	1.11	5954	1.12	5024	1.10			FEG56

B53 | SIZE 30 (762 mm)

Outlet Area: 5.032 ft²

CATALOG NUMBER				CUBIC FT. PER MIN. & HORSEPOWER AT STATIC PRESSURE												FAN EFFICIENCY GRADE
				0" SP		1/8" SP		1/4" SP		3/8" SP		1/2" SP		3/4" SP		
PROP	FAN TYPE	RPM	HP	CFM	BHP	CFM	BHP	CFM	BHP	CFM	BHP	CFM	BHP	CFM	BHP	
30L428	B53	904	3/4	8996	0.82	8285	0.83	7029	0.84							FEG56
30L428	B53	995	1	9901	1.10	9276	1.11	8341	1.12	6694	1.09					FEG56
30L428	B53	1139	1½	11334	1.65	10805	1.66	10142	1.67	9077	1.67	7494	1.63			FEG56
30L428	B53	1253	2	12469	2.19	11996	2.21	11435	2.22	10678	2.23	9557	2.23			FEG56
30L428	B53	1435	3	14280	3.29	13874	3.31	13417	3.32	12883	3.34	12173	3.35	10040	3.32	FEG56

B53 | SIZE 36 (914 mm)

Outlet Area: 7.229 ft²

CATALOG NUMBER				CUBIC FT. PER MIN. & HORSEPOWER AT STATIC PRESSURE												FAN EFFICIENCY GRADE
				0" SP		1/8" SP		1/4" SP		3/8" SP		1/2" SP		3/4" SP		
PROP	FAN TYPE	RPM	HP	CFM	BHP	CFM	BHP	CFM	BHP	CFM	BHP	CFM	BHP	CFM	BHP	
36L422	B53	782	3/4	12211	0.73	10769	0.78	9079	0.83							FEG67
36L422	B53	861	1	13445	0.97	12151	1.03	10687	1.08	8914	1.10					FEG67
36L422	B53	986	1½	15396	1.46	14282	1.52	13065	1.59	11710	1.65	10085	1.66			FEG67
36L422	B53	1085	2	16942	1.94	15936	2.01	14858	2.08	13686	2.16	12393	2.21			FEG67
36L422	B53	1242	3	19394	2.91	18522	2.99	17604	3.07	16632	3.16	15592	3.24	13204	3.32	FEG67

B53 | SIZE 42 (1067 mm)

Outlet Area: 9.794 ft²

CATALOG NUMBER				CUBIC FT. PER MIN. & HORSEPOWER AT STATIC PRESSURE												FAN EFFICIENCY GRADE
				0" SP		1/8" SP		1/4" SP		3/8" SP		1/2" SP		3/4" SP		
PROP	FAN TYPE	RPM	HP	CFM	BHP	CFM	BHP	CFM	BHP	CFM	BHP	CFM	BHP	CFM	BHP	
42L422	B53	666	1	16514	0.97	14537	1.04	12213	1.10							FEG67
42L422	B53	762	1½	18895	1.45	17195	1.53	15292	1.62	13057	1.66					FEG67
42L422	B53	839	2	20804	1.94	19274	2.03	17602	2.12	15736	2.20	13476	2.21			FEG67
42L422	B53	960	3	23804	2.90	22481	3.00	21068	3.11	19545	3.21	17880	3.29			FEG67
42L422	B53	1139	5	28243	4.85	27137	4.97	25981	5.09	24767	5.21	23486	5.34	20658	5.52	FEG67
42L422	B53	1303	7½	32309	7.26	31348	7.40	30354	7.53	29323	7.67	28253	7.81	25967	8.09	FEG67

Notes:

1. Performance shown is for Installation Type A: Free Inlet, Free Outlet.
2. Power rating (bhp) includes drive losses.
3. Performance ratings include the effects of a stack cap damper in the airstream.

B53 | SIZE 48 (1219 mm)

Outlet Area: 12.763 ft²

CATALOG NUMBER				CUBIC FT. PER MIN. & HORSEPOWER AT STATIC PRESSURE												FAN EFFICIENCY GRADE
PROP	FAN TYPE	RPM	HP	0" SP		1/8" SP		1/4" SP		3/8" SP		1/2" SP		3/4" SP		
				CFM	BHP	CFM	BHP	CFM	BHP	CFM	BHP	CFM	BHP	CFM	BHP	
48L422	B53	610	1½	22578	1.45	20126	1.55	17299	1.64	13574	1.63					FEG67
48L422	B53	672	2	24873	1.94	22672	2.05	20213	2.16	17345	2.22					FEG67
48L422	B53	769	3	28463	2.91	26563	3.03	24505	3.15	22238	3.27	19642	3.33			FEG67
48L422	B53	912	5	33756	4.86	32171	5.00	30498	5.14	28721	5.29	26812	5.43	22337	5.54	FEG67
48L422	B53	1043	7½	38605	7.26	37227	7.42	35793	7.59	34295	7.75	32724	7.93	29302	8.22	FEG67
48L422	B53	1148	10	42491	9.68	41244	9.86	39955	10.04	38621	10.22	37235	10.41	34279	10.78	FEG67

B53 | SIZE 54 (1372 mm)

Outlet Area: 16.499 ft²

CATALOG NUMBER				CUBIC FT. PER MIN. & HORSEPOWER AT STATIC PRESSURE												FAN EFFICIENCY GRADE
PROP	FAN TYPE	RPM	HP	0" SP		1/8" SP		1/4" SP		3/8" SP		1/2" SP		3/4" SP		
				CFM	BHP	CFM	BHP	CFM	BHP	CFM	BHP	CFM	BHP	CFM	BHP	
54L422	B53	552	2	29091	1.94	26050	2.06	22565	2.18	18111	2.19					FEG67
54L422	B53	632	3	33307	2.91	30689	3.05	27807	3.20	24552	3.31	20405	3.28			FEG67
54L422	B53	749	5	39473	4.85	37293	5.01	34966	5.18	32459	5.36	29721	5.49			FEG67
54L422	B53	857	7½	45165	7.26	43273	7.45	41288	7.64	39195	7.84	36974	8.04	31994	8.29	FEG67
54L422	B53	944	10	49750	9.70	48039	9.91	46261	10.12	44406	10.33	42465	10.56	38256	10.94	FEG67
54L422	B53	1080	15	56917	14.53	55429	14.77	53896	15.01	52316	15.25	50682	15.49	47232	16.01	FEG67

B53 | SIZE 60 (1524 mm)

Outlet Area: 20.295 ft²

CATALOG NUMBER				CUBIC FT. PER MIN. & HORSEPOWER AT STATIC PRESSURE												FAN EFFICIENCY GRADE
PROP	FAN TYPE	RPM	HP	0" SP		1/8" SP		1/4" SP		3/8" SP		1/2" SP		3/4" SP		
				CFM	BHP	CFM	BHP	CFM	BHP	CFM	BHP	CFM	BHP	CFM	BHP	
60L422	B53	530	3	38315	2.91	34822	3.07	30903	3.24	26274	3.32					FEG67
60L422	B53	628	5	45399	4.84	42496	5.03	39363	5.23	35929	5.42	32065	5.53			FEG67
60L422	B53	719	7½	51978	7.26	49464	7.48	46804	7.70	43973	7.93	40921	8.14	33649	8.26	FEG67
60L422	B53	792	10	57255	9.70	54984	9.94	52606	10.19	50108	10.43	47469	10.69	41627	11.06	FEG67
60L422	B53	906	15	65497	14.53	63521	14.80	61477	15.08	59357	15.35	57154	15.64	52441	16.21	FEG67

Notes:

1. Performance shown is for Installation Type A: Free Inlet, Free Outlet.
2. Power rating (bhp) includes drive losses.
3. Performance ratings include the effects of a stack cap damper in the airstream.

B53 | SIZE 72 (1829 mm)

Outlet Area: 20.295 ft²

CATALOG NUMBER				CUBIC FT. PER MIN. & HORSEPOWER AT STATIC PRESSURE												FAN EFFICIENCY GRADE
PROP	FAN TYPE	RPM	HP	0" SP		1/8" SP		1/4" SP		3/8" SP		1/2" SP		3/4" SP		
				CFM	BHP	CFM	BHP	CFM	BHP	CFM	BHP	CFM	BHP	CFM	BHP	
72L422	B53	464	5	57963	4.86	53199	5.10	47927	5.36	41914	5.54	33897	5.43			N/A
72L422	B53	531	7½	66333	7.28	62216	7.56	57785	7.84	52947	8.13	47553	8.31			N/A
72L422	B53	584	10	72953	9.68	69233	9.99	65285	10.30	61064	10.63	56492	10.90	45205	10.94	N/A
72L422	B53	669	15	83571	14.55	80346	14.90	76975	15.26	73439	15.62	69710	16.00	61499	16.56	N/A
72L422	B53	736	20	91941	19.38	89020	19.76	85993	20.15	82846	20.54	79567	20.95	72516	21.71	N/A

Notes:

1. Performance shown is for Installation Type A: Free Inlet, Free Outlet.
2. Power rating (bhp) includes drive losses.
3. Performance ratings include the effects of a stack cap damper in the airstream.

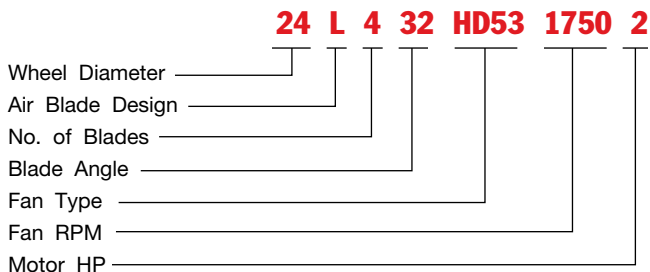
Size 72 is not licensed to bear the AMCA Seal.

Model HD53 Direct Drive Hooded Roof Ventilators

To identify a specific fan for ordering or engineering specification, it is necessary to show the complete information in the tables below under catalog number. All performance data is available in curve form upon request.

Aerovent Hooded Model 53 Direct and Belted Fans shown on pages 12 through 15 of this catalog have been tested and rated in accordance with industry test codes, and are guaranteed by Aerovent to deliver rated performance.

Catalog Numbering System



HD53 | SIZE 24 (610 mm)

CATALOG NUMBER				CUBIC FT. PER MIN. & HORSEPOWER AT STATIC PRESSURE											
PROP	FAN TYPE	RPM	HP	0" SP		1/8" SP		1/4" SP		3/8" SP		1/2" SP		3/4" SP	
				CFM	BHP	CFM	BHP	CFM	BHP	CFM	BHP	CFM	BHP	CFM	BHP
24L232	HD53	1160	1/3	4692	0.34	3716	0.32	1843	0.30						
24L220	HD53	1725	1/2	5625	0.55	5076	0.55	4468	0.55	3669	0.53				
24L226	HD53	1725	3/4	6414	0.83	5841	0.82	5177	0.80	4341	0.78				
24L230	HD53	1750	1	6900	1.08	6317	1.06	5644	1.02	4839	0.98				
24L428	HD53	1160	1/2	5491	0.51	4872	0.51	4096	0.50	2311	0.44				
24L432	HD53	1160	3/4	5897	0.64	5258	0.64	4443	0.62	2657	0.54				
24L426	HD53	1750	1 1/2	7959	1.54	7556	1.56	7130	1.57	6681	1.57	6178	1.57	4631	1.43
24L432	HD53	1750	2	8897	2.21	8494	2.21	8059	2.20	7585	2.18	7044	2.15	5082	1.87

HD53 | SIZE 30 (762 mm)

CATALOG NUMBER				CUBIC FT. PER MIN. & HORSEPOWER AT STATIC PRESSURE											
PROP	FAN TYPE	RPM	HP	0" SP		1/8" SP		1/4" SP		3/8" SP		1/2" SP		3/4" SP	
				CFM	BHP	CFM	BHP	CFM	BHP	CFM	BHP	CFM	BHP	CFM	BHP
30L226	HD53	1160	3/4	8424	0.77	7327	0.75	5903	0.73						
30L232	HD53	1160	1	9164	1.05	8001	1.01	6536	0.97	3872	0.92				
30L222	HD53	1750	2	11699	2.07	11018	2.08	10389	2.07	9650	2.04	8786	2.00	6353	1.90
30L230	HD53	1750	3	13477	3.30	12765	3.26	11991	3.20	11137	3.13	10195	3.06		
30L432	HD53	870	3/4	8639	0.83	7559	0.82	6051	0.77						
30L428	HD53	1160	1 1/2	10725	1.54	9975	1.55	9138	1.55	8143	1.54	6589	1.44		
30L432	HD53	1160	2	11519	1.97	10746	1.96	9875	1.94	8829	1.89	6945	1.69		

HD53 | SIZE 36 (915 mm)

CATALOG NUMBER				CUBIC FT. PER MIN. & HORSEPOWER AT STATIC PRESSURE											
PROP	FAN TYPE	RPM	HP	0" SP		1/8" SP		1/4" SP		3/8" SP		1/2" SP		3/4" SP	
				CFM	BHP	CFM	BHP	CFM	BHP	CFM	BHP	CFM	BHP	CFM	BHP
36L226	HD53	870	3/4	11069	0.76	9256	0.75	6477	0.68						
36L232	HD53	870	1	11866	1.02	9919	1.00	6813	0.94						
36L214	HD53	1160	3/4	10797	0.72	9528	0.73	8040	0.73	6125	0.69				
36L218	HD53	1160	1	12435	1.03	11163	1.05	9713	1.06	8050	1.02				
36L224	HD53	1160	1 1/2	14251	1.59	13005	1.60	11631	1.58	9937	1.58				
36L228	HD53	1160	2	15244	2.01	13921	1.99	12361	1.95	10363	1.87				
36L212	HD53	1750	2	14976	2.10	14147	2.11	13275	2.12	12355	2.12	11364	2.11	8975	2.03
36L216	HD53	1750	3	17514	2.94	16724	2.97	15884	2.99	14983	3.01	14014	3.01	11846	2.96
36L224	HD53	1750	5	21499	5.46	20695	5.47	19857	5.48	18985	5.47	18076	5.44	16013	5.41
36L428	HD53	870	1 1/2	14055	1.51	12870	1.53	11556	1.54	9869	1.51	6736	1.39		
36L426	HD53	1160	3	18086	3.22	17193	3.27	16267	3.32	15317	3.35	14291	3.37	11224	3.16

Notes:

1. Performance shown is for Installation Type A: Free Inlet, Free Outlet.
2. Performance ratings include the effects of the hood in the airstream.

HD53 | SIZE 42 (1066 mm)

CATALOG NUMBER				CUBIC FT. PER MIN. & HORSEPOWER AT STATIC PRESSURE											
				0" SP		1/8" SP		1/4" SP		3/8" SP		1/2" SP		3/4" SP	
PROP	FAN TYPE	RPM	HP	CFM	BHP	CFM	BHP	CFM	BHP	CFM	BHP	CFM	BHP	CFM	BHP
42L220	HD53	870	1	15543	1.09	13596	1.10	11375	1.10	7667	1.03				
42L226	HD53	870	1½	17577	1.64	15490	1.63	13134	1.57	8576	1.42				
42L232	HD53	870	2	18842	2.21	16657	2.17	13845	2.09	9546	2.06				
42L214	HD53	1160	1½	17146	1.57	15689	1.57	14086	1.58	12211	1.58	9943	1.49		
42L218	HD53	1160	2	19747	2.23	18287	2.27	16678	2.29	14929	2.27	12965	2.21		
42L222	HD53	1160	3	21743	2.99	20365	3.01	18843	3.01	17125	2.98	15117	2.91		
42L228	HD53	1160	5	24206	4.34	22693	4.32	21002	4.27	19057	4.18	16696	4.05		
42L214	HD53	1750	5	25867	5.37	24925	5.38	23946	5.40	22926	5.41	21863	5.43	19511	5.44
42L218	HD53	1750	7½	29790	7.65	28845	7.72	27865	7.77	26845	7.81	25774	7.84	23497	7.84
42L222	HD53	1750	10	32802	10.28	31911	10.31	30985	10.33	30019	10.34	29007	10.34	26818	10.27
42L428	HD53	695	1½	17830	1.66	16085	1.69	14086	1.69	10858	1.58				
42L426	HD53	870	3	21539	2.94	20143	3.00	18685	3.04	17124	3.07	15296	3.04		
42L428	HD53	1160	7½	29759	7.74	28751	7.80	27703	7.84	26608	7.87	25474	7.88	22914	7.84

HD53 | SIZE 48 (1220 mm)

CATALOG NUMBER				CUBIC FT. PER MIN. & HORSEPOWER AT STATIC PRESSURE											
				0" SP		1/8" SP		1/4" SP		3/8" SP		1/2" SP		3/4" SP	
PROP	FAN TYPE	RPM	HP	CFM	BHP	CFM	BHP	CFM	BHP	CFM	BHP	CFM	BHP	CFM	BHP
48L226	HD53	695	1½	20960	1.63	17954	1.61	14151	1.52						
48L232	HD53	695	2	22469	2.20	19277	2.15	14662	2.03						
48L220	HD53	870	2	23200	2.12	20997	2.15	18629	2.15	15765	2.12	10807	1.99		
48L226	HD53	870	3	26237	3.19	23875	3.19	21355	3.13	18288	3.00	12294	2.78		
48L232	HD53	870	5	28126	4.31	25686	4.26	22823	4.17	19020	4.00	13874	4.03		
48L214	HD53	1160	3	25593	3.05	23948	3.06	22182	3.08	20249	3.09	18036	3.07	12344	2.83
48L220	HD53	1160	5	30934	5.02	29306	5.06	27615	5.09	25867	5.10	23971	5.08	19141	4.97
48L226	HD53	1160	7½	34983	7.56	33236	7.57	31424	7.55	29561	7.48	27548	7.36	21921	6.92
48L232	HD53	1160	10	37502	10.22	35726	10.15	33806	10.07	31707	9.96	29326	9.81	22791	9.34
48L426	HD53	695	3	25684	2.92	23678	2.99	21566	3.04	19191	3.04				

HD53 | SIZE 54 (1372 mm)

CATALOG NUMBER				CUBIC FT. PER MIN. & HORSEPOWER AT STATIC PRESSURE											
				0" SP		1/8" SP		1/4" SP		3/8" SP		1/2" SP		3/4" SP	
PROP	FAN TYPE	RPM	HP	CFM	BHP	CFM	BHP	CFM	BHP	CFM	BHP	CFM	BHP	CFM	BHP
54L222	HD53	695	2	27687	2.26	24628	2.28	20914	2.23	15643	2.10				
54L228	HD53	695	3	30824	3.28	27451	3.24	23246	3.12						
54L224	HD53	870	5	36072	5.09	33606	5.11	30954	5.09	27988	5.05	24293	5.07		
54L232	HD53	870	7½	40048	7.77	37342	7.69	34305	7.59	30715	7.43	25939	7.15		
54L214	HD53	1160	5	36440	5.50	34602	5.51	32659	5.53	30599	5.56	28355	5.57	23049	5.37
54L218	HD53	1160	7½	41969	7.83	40123	7.92	38179	7.98	36109	8.02	33910	8.03	29190	7.88
54L222	HD53	1160	10	46212	10.52	44471	10.56	42632	10.58	40675	10.58	38574	10.53	33807	10.33
54L426	HD53	695	5	36571	5.26	34327	5.36	31985	5.44	29516	5.50	26708	5.47		
54L426	HD53	870	10	45779	10.32	44001	10.46	42171	10.57	40293	10.67	38373	10.75	34086	10.76

HD53 | SIZE 60 (1525 mm)

CATALOG NUMBER				CUBIC FT. PER MIN. & HORSEPOWER AT STATIC PRESSURE											
				0" SP		1/8" SP		1/4" SP		3/8" SP		1/2" SP		3/4" SP	
PROP	FAN TYPE	RPM	HP	CFM	BHP	CFM	BHP	CFM	BHP	CFM	BHP	CFM	BHP	CFM	BHP
60L220	HD53	695	3	36198	3.29	32751	3.34	29044	3.34	24550	3.30	16707	3.09		
60L228	HD53	695	5	42282	5.55	38603	5.51	34258	5.38	28685	5.16				
60L218	HD53	870	5	43178	5.59	40413	5.68	37413	5.73	34145	5.73	30663	5.65	20267	5.14
60L222	HD53	870	7½	47544	7.51	44934	7.55	42096	7.56	38958	7.51	35422	7.40	25388	6.87
60L228	HD53	870	10	52929	10.89	50065	10.86	46922	10.77	43393	10.58	39349	10.34		
60L212	HD53	1160	7½	45959	7.88	43882	7.91	41719	7.93	39466	7.93	37096	7.92	31802	7.83
60L216	HD53	1160	10	53746	11.03	51770	11.12	49695	11.19	47506	11.24	45174	11.27	40113	11.23
60L220	HD53	1160	15	60416	15.32	58396	15.41	56327	15.48	54204	15.53	52044	15.56	47436	15.53
60L424	HD53	695	7½	47907	7.75	45504	7.88	43010	7.99	40444	8.08	37665	8.13	29758	7.82
60L424	HD53	870	15	59970	15.20	58063	15.37	56111	15.52	54111	15.66	52079	15.78	47771	15.95

Notes:

1. Performance shown is for Installation Type A: Free Inlet, Free Outlet.
2. Performance ratings include the effects of the hood in the airstream.

Model HB53 Belted Hooded Roof Ventilators

HB53 | SIZE 24 (610 mm)

CATALOG NUMBER				CUBIC FT. PER MIN. & HORSEPOWER AT STATIC PRESSURE											
				0" SP		1/8" SP		1/4" SP		3/8" SP		1/2" SP		3/4" SP	
PROP	FAN TYPE	RPM	HP	CFM	BHP	CFM	BHP	CFM	BHP	CFM	BHP	CFM	BHP	CFM	BHP
24L428	HB53	1145	1/2	5388	0.55	4829	0.56	3955	0.55						
24L428	HB53	1311	3/4	6170	0.83	5701	0.84	5056	0.84	4033	0.78				
24L428	HB53	1443	1	6791	1.11	6374	1.11	5848	1.12	5134	1.10				

HB53 | SIZE 30 (762 mm)

CATALOG NUMBER				CUBIC FT. PER MIN. & HORSEPOWER AT STATIC PRESSURE											
				0" SP		1/8" SP		1/4" SP		3/8" SP		1/2" SP		3/4" SP	
PROP	FAN TYPE	RPM	HP	CFM	BHP	CFM	BHP	CFM	BHP	CFM	BHP	CFM	BHP	CFM	BHP
30L428	HB53	904	3/4	8309	0.83	7418	0.84	6004	0.82						
30L428	HB53	995	1	9145	1.11	8362	1.12	7234	1.11						
30L428	HB53	1139	1½	10469	1.67	9806	1.67	8963	1.68	7812	1.65				
30L428	HB53	1253	2	11516	2.22	10925	2.23	10220	2.23	9290	2.23	8091	2.15		
30L428	HB53	1435	3	13189	3.33	12682	3.34	12109	3.35	11429	3.35	10580	3.34		

HB53 | SIZE 36 (915 mm)

CATALOG NUMBER				CUBIC FT. PER MIN. & HORSEPOWER AT STATIC PRESSURE											
				0" SP		1/8" SP		1/4" SP		3/8" SP		1/2" SP		3/4" SP	
PROP	FAN TYPE	RPM	HP	CFM	BHP	CFM	BHP	CFM	BHP	CFM	BHP	CFM	BHP	CFM	BHP
36L422	HB53	782	3/4	10982	0.77	9676	0.81	8115	0.83						
36L422	HB53	861	1	12092	1.03	10920	1.08	9586	1.11	7850	1.08				
36L422	HB53	986	1½	13847	1.54	12838	1.60	11735	1.65	10481	1.66	8861	1.62		
36L422	HB53	1085	2	15238	2.06	14327	2.12	13349	2.17	12283	2.21	11062	2.21		
36L422	HB53	1242	3	17443	3.09	16654	3.16	15822	3.23	14941	3.28	13991	3.32	11686	3.27

HB53 | SIZE 42 (1066 mm)

CATALOG NUMBER				CUBIC FT. PER MIN. & HORSEPOWER AT STATIC PRESSURE											
				0" SP		1/8" SP		1/4" SP		3/8" SP		1/2" SP		3/4" SP	
PROP	FAN TYPE	RPM	HP	CFM	BHP	CFM	BHP	CFM	BHP	CFM	BHP	CFM	BHP	CFM	BHP
42L422	HB53	666	1	14852	1.03	13061	1.09	10912	1.11						
42L422	HB53	762	1½	16993	1.54	15455	1.61	13725	1.66	11584	1.64				
42L422	HB53	839	2	18711	2.06	17326	2.13	15811	2.19	14081	2.21	11815	2.15		
42L422	HB53	960	3	21409	3.08	20212	3.17	18931	3.25	17548	3.31	15992	3.32		
42L422	HB53	1139	5	25401	5.15	24401	5.26	23354	5.35	22253	5.44	21091	5.51	18441	5.52
42L422	HB53	1303	7½	29058	7.71	28189	7.83	27289	7.95	26355	8.05	25385	8.15	23300	8.29

HB53 | SIZE 48 (1220 mm)

CATALOG NUMBER				CUBIC FT. PER MIN. & HORSEPOWER AT STATIC PRESSURE											
				0" SP		1/8" SP		1/4" SP		3/8" SP		1/2" SP		3/4" SP	
PROP	FAN TYPE	RPM	HP	CFM	BHP	CFM	BHP	CFM	BHP	CFM	BHP	CFM	BHP	CFM	BHP
48L422	HB53	610	1½	20306	1.54	18085	1.62	15491	1.66	11784	1.58				
48L422	HB53	672	2	22370	2.06	20377	2.15	18144	2.21	15408	2.20				
48L422	HB53	769	3	25599	3.09	23880	3.19	22014	3.28	19933	3.33	17423	3.28		
48L422	HB53	912	5	30360	5.15	28926	5.28	27409	5.39	25799	5.49	24049	5.54	19663	5.42
48L422	HB53	1043	7½	34720	7.71	33475	7.85	32176	7.99	30816	8.11	29393	8.21	26226	8.29
48L422	HB53	1148	10	38216	10.27	37088	10.44	35921	10.59	34711	10.73	33455	10.86	30763	11.04

Notes:

1. Performance shown is for Installation Type A: Free Inlet, Free Outlet.
2. Power rating (bhp) includes drive losses.
3. Performance ratings include the effects of the hood in the airstream.

HB53 | SIZE 54 (1372 mm)

CATALOG NUMBER				CUBIC FT. PER MIN. & HORSEPOWER AT STATIC PRESSURE											
				0" SP		1/8" SP		1/4" SP		3/8" SP		1/2" SP		3/4" SP	
PROP	FAN TYPE	RPM	HP	CFM	BHP	CFM	BHP	CFM	BHP	CFM	BHP	CFM	BHP	CFM	BHP
54L422	HB53	552	2	26164	2.06	23409	2.16	20219	2.22	15780	2.13				
54L422	HB53	632	3	29956	3.09	27586	3.21	24972	3.30	21931	3.32	17751	3.19		
54L422	HB53	749	5	35501	5.14	33528	5.29	31418	5.42	29143	5.51	26587	5.53		
54L422	HB53	857	7½	40620	7.70	38909	7.88	37110	8.03	35213	8.16	33193	8.26	28475	8.23
54L422	HB53	944	10	44744	10.29	43197	10.49	41586	10.66	39903	10.82	38145	10.96	34264	11.09
54L422	HB53	1080	15	51190	15.42	49844	15.64	48457	15.85	47024	16.04	45542	16.21	42414	16.50

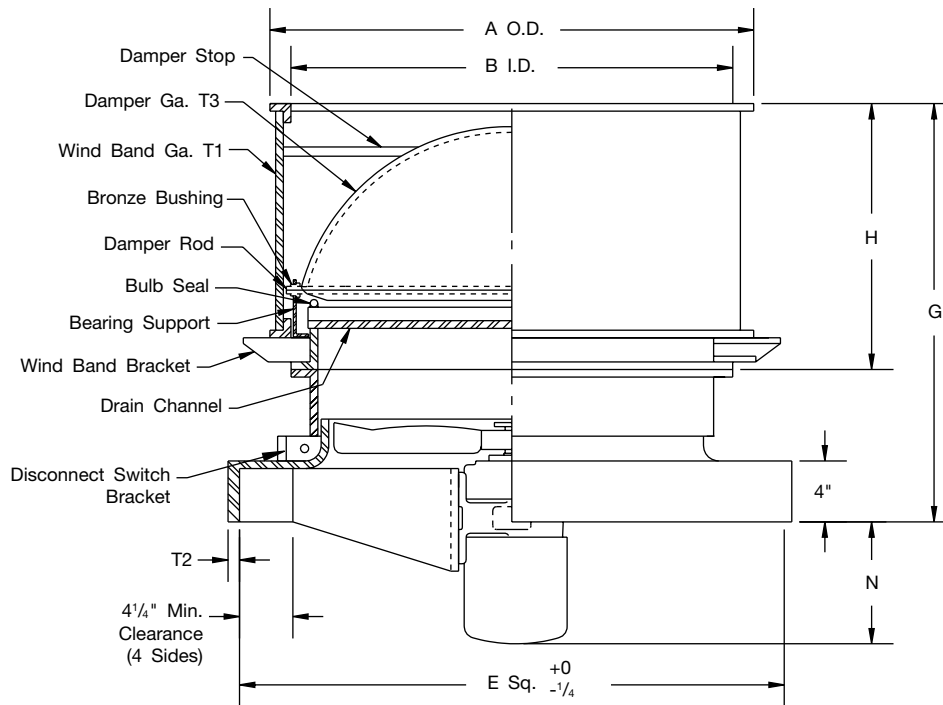
HB53 | SIZE 60 (1525 mm)

CATALOG NUMBER				CUBIC FT. PER MIN. & HORSEPOWER AT STATIC PRESSURE											
				0" SP		1/8" SP		1/4" SP		3/8" SP		1/2" SP		3/4" SP	
PROP	FAN TYPE	RPM	HP	CFM	BHP	CFM	BHP	CFM	BHP	CFM	BHP	CFM	BHP	CFM	BHP
60L422	HB53	530	3	34460	3.09	31297	3.22	27732	3.32	23282	3.28				
60L422	HB53	628	5	40832	5.13	38204	5.30	35364	5.44	32222	5.53	28529	5.48		
60L422	HB53	719	7½	46749	7.70	44474	7.90	42062	8.07	39497	8.21	36691	8.29	29497	8.05
60L422	HB53	792	10	51495	10.30	49440	10.52	47286	10.71	45021	10.88	42625	11.02	37140	11.04
60L422	HB53	906	15	58907	15.41	57120	15.67	55269	15.90	53347	16.11	51350	16.30	47050	16.58

Notes:

1. Performance shown is for Installation Type A: Free Inlet, Free Outlet.
2. Power rating (bhp) includes drive losses.
3. Performance ratings include the effects of the hood in the airstream.

Model D53 Direct Drive Upblast Roof Ventilators



Notes:

1. Flanged construction is standard on steel wind bands.
2. Angle ring construction is standard on all aluminum fans.
3. Maximum catalog motor frame will not extend below "N" dimension.

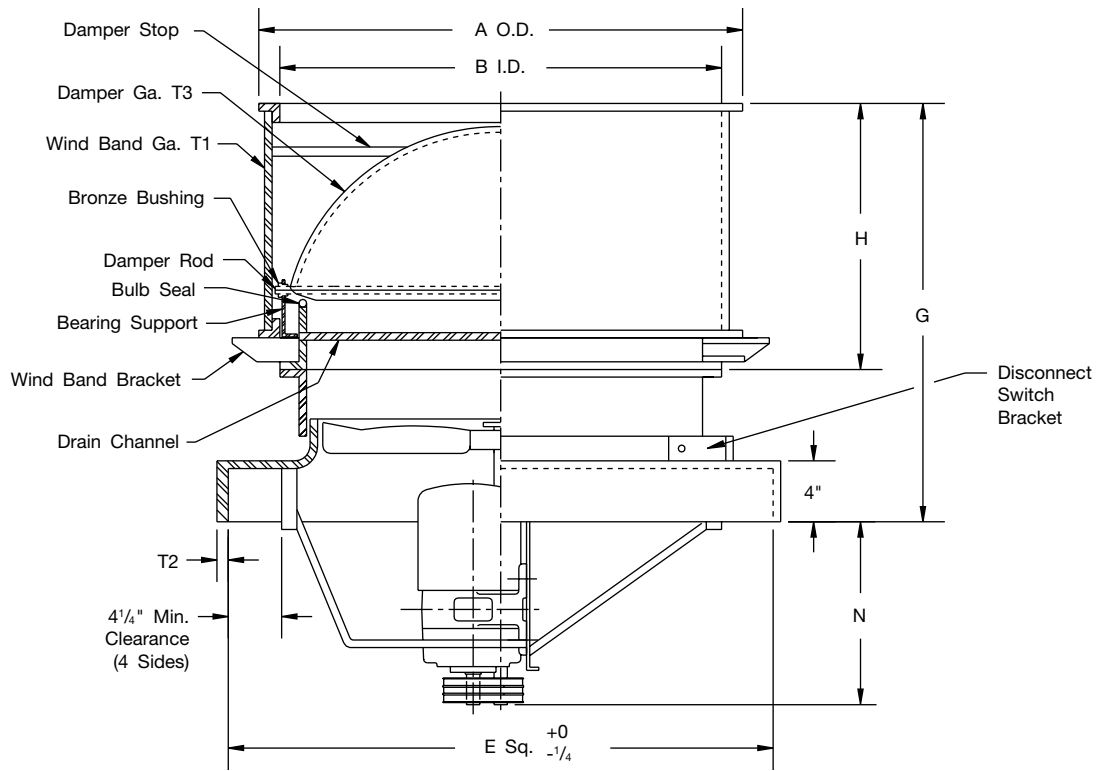
SIZE	A	B	E	G	H	N	STEEL			MOTOR FRAME MAXIMUM
							T1	T2	T3	
12	21 ¹ / ₄	18 ³ / ₈	23 ³ / ₄	25	16 ³ / ₄	12	14 GA.	16 GA.	24 GA.	56
14	23 ¹ / ₄	20 ³ / ₈	24 ³ / ₄	26	17 ³ / ₄	12	14 GA.	16 GA.	24 GA.	56
16	25 ¹ / ₄	22 ³ / ₈	27 ³ / ₄	30 ³ / ₈	18 ³ / ₄	12	14 GA.	16 GA.	24 GA.	56
18	28 ¹ / ₄	25 ³ / ₈	29 ³ / ₄	33 ¹ / ₄	21 ³ / ₄	12	14 GA.	16 GA.	24 GA.	56
21	29 ³ / ₄	26 ⁷ / ₈	32 ³ / ₄	36 ⁵ / ₈	23 ³ / ₄	12	14 GA.	16 GA.	24 GA.	145
24	31 ³ / ₄	28 ⁷ / ₈	35 ³ / ₄	37	24 ³ / ₄	12	14 GA.	14 GA.	24 GA.	184
30	39 ³ / ₄	36 ⁷ / ₈	43 ³ / ₄	40 ⁵ / ₈	27 ³ / ₄	12	14 GA.	14 GA.	20 GA.	215
36	45 ³ / ₄	42 ⁷ / ₈	49 ³ / ₄	43 ¹ / ₂	30 ³ / ₄	16	14 GA.	14 GA.	20 GA.	256
42	51 ³ / ₄	48 ⁷ / ₈	55 ³ / ₄	46 ¹ / ₂	33 ³ / ₄	22	14 GA.	14 GA.	20 GA.	256
48	57 ³ / ₄	54 ⁷ / ₈	61 ³ / ₄	50	36 ³ / ₄	22	14 GA.	14 GA.	20 GA.	256
54	64	60 ³ / ₄	67 ³ / ₄	51 ³ / ₄	39 ³ / ₄	20	14 GA.	12 GA.	20 GA.	286
60	70	66 ³ / ₄	74 ³ / ₄	55 ³ / ₄	43 ³ / ₄	20	14 GA.	12 GA.	18 GA.	286
72	88	84 ³ / ₄	88 ³ / ₄	65 ¹ / ₄	49 ³ / ₄	26	14 GA.	12 GA.	18 GA.	324

R-23373E R-23374F

Dimensions in inches unless otherwise indicated.

Dimensions are not to be used for construction.

Model B53 Belted Upblast Roof Ventilators



Notes:

1. Flanged construction is standard on steel wind bands.
2. Angle ring construction is standard on all aluminum fans.
3. Maximum catalog motor frame will not extend below "N" dimension.

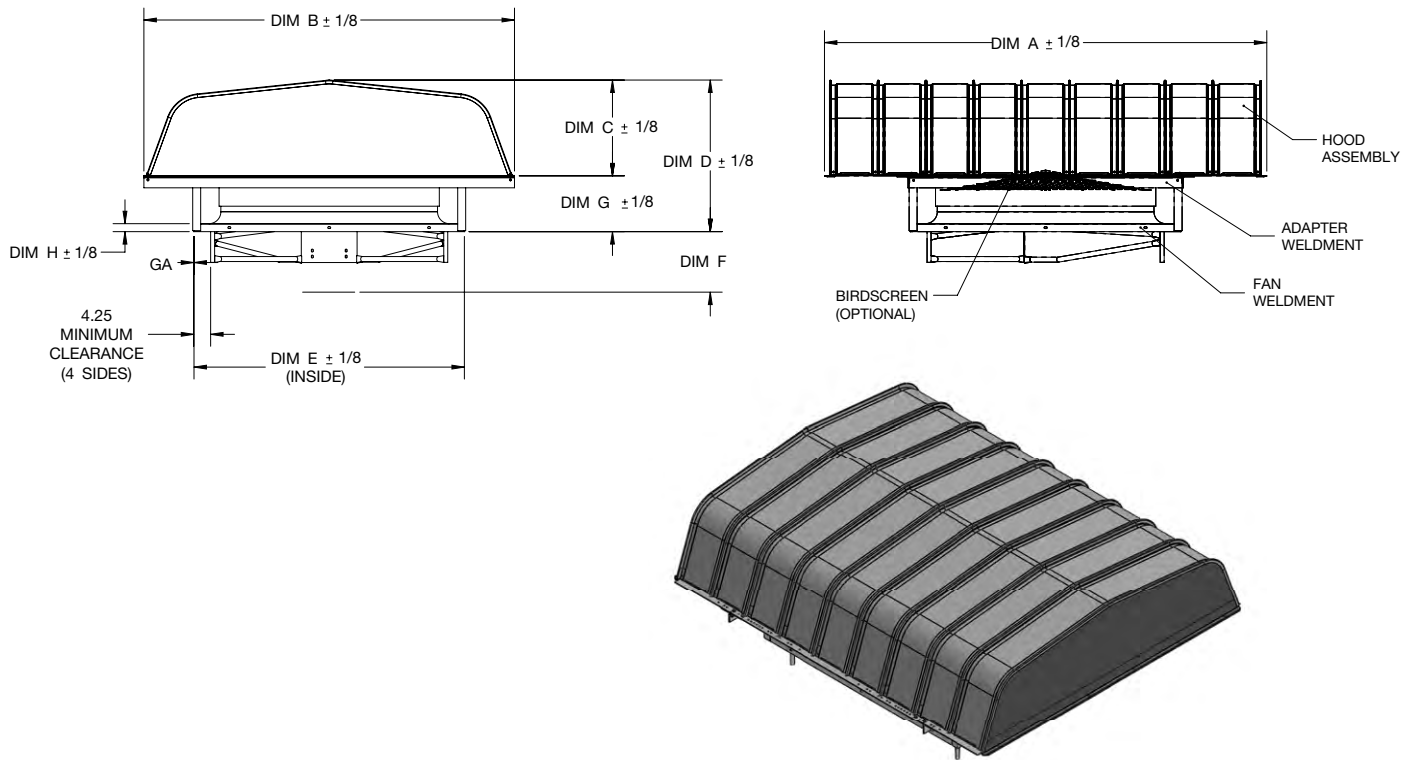
SIZE	A	B	E	G	H	N	STEEL			MOTOR FRAME MAXIMUM
							T1	T2	T3	
24	31 ³ / ₄	28 ⁷ / ₈	35 ³ / ₄	37	24 ³ / ₄	12	14 GA.	14 GA.	24 GA.	145
30	39 ³ / ₄	36 ⁷ / ₈	43 ³ / ₄	40 ⁵ / ₈	27 ³ / ₄	13	14 GA.	14 GA.	20 GA.	184
36	45 ³ / ₄	42 ⁷ / ₈	49 ³ / ₄	43 ¹ / ₂	30 ³ / ₄	16	14 GA.	14 GA.	20 GA.	184
42	51 ³ / ₄	48 ⁷ / ₈	55 ³ / ₄	46 ¹ / ₂	33 ³ / ₄	16	14 GA.	14 GA.	20 GA.	215
48	57 ³ / ₄	54 ⁷ / ₈	61 ³ / ₄	50	36 ³ / ₄	22	14 GA.	14 GA.	20 GA.	215
54	64	60 ³ / ₄	67 ³ / ₄	51 ³ / ₄	39 ³ / ₄	22	14 GA.	12 GA.	20 GA.	254
60	70	66 ³ / ₄	74 ³ / ₄	55 ³ / ₄	43 ³ / ₄	22	14 GA.	12 GA.	18 GA.	254
72	88	84 ³ / ₄	88 ³ / ₄	65 ¹ / ₄	49 ³ / ₄	25	14 GA.	12 GA.	18 GA.	286

R-23774G

Dimensions in inches unless otherwise indicated.

Dimensions are not to be used for construction.

Model HD53 Direct Drive Hooded Roof Ventilators



Notes:

1. Maximum catalog motor frame will not extend below "F" dimension.
2. Only disconnect switch model DR361UD can be mounted and wired under hood, all other type disconnect switches must be mounted and wired by others.
3. FRP hood also available, contact factory for details.

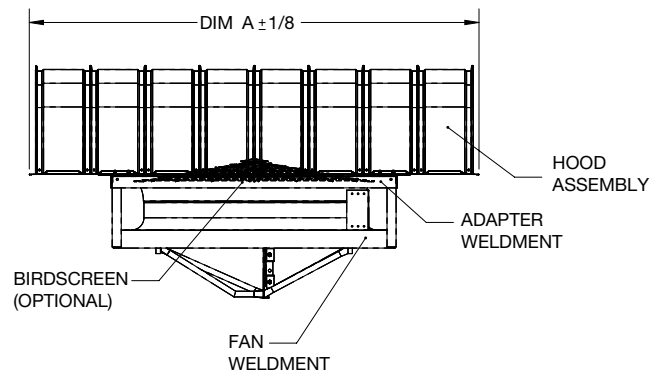
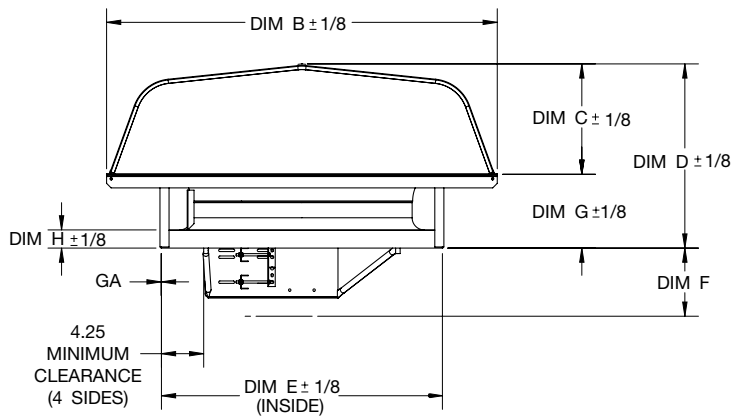
SIZE	A	B	C	D	E	F	G	H	GA	MOTOR FRAME MAXIMUM
24	51	54	15 ¹⁵ / ₁₆	28 ¹⁵ / ₁₆	35 ³ / ₄	12	13	4	14 GA.	184T
30	63	66	17 ¹⁵ / ₁₆	31 ⁷ / ₁₆	43 ³ / ₄	12	13 ¹ / ₂	4	14 GA.	215T
36	75	75	19 ¹⁵ / ₁₆	35 ¹¹ / ₁₆	49 ³ / ₄	16	15 ³ / ₄	4	14 GA.	256T
42	87	88	21 ¹⁵ / ₁₆	37 ¹¹ / ₁₆	55 ³ / ₄	22	15 ³ / ₄	4	14 GA.	256T
48	99	86	23 ¹⁵ / ₁₆	40 ⁹ / ₁₆	61 ³ / ₄	22	16 ¹ / ₄	4	14 GA.	256T
54	111	93	23 ¹⁵ / ₁₆	37 ¹⁵ / ₁₆	67 ³ / ₄	20	14	2	12 GA.	286T
60	123	124	26 ¹ / ₂	40 ¹ / ₂	74 ³ / ₄	20	14	4	12 GA.	286T

BC1005841

Dimensions in inches unless otherwise indicated.

Dimensions are not to be used for construction.

Model HB53 Belted Hooded Roof Ventilators



Notes:

1. Maximum catalog motor frame will not extend below "F" dimension.
2. Only disconnect switch model DR361UD can be mounted and wired under hood, all other type disconnect switches must be mounted and wired by others.
3. FRP hood also available, contact factory for details.

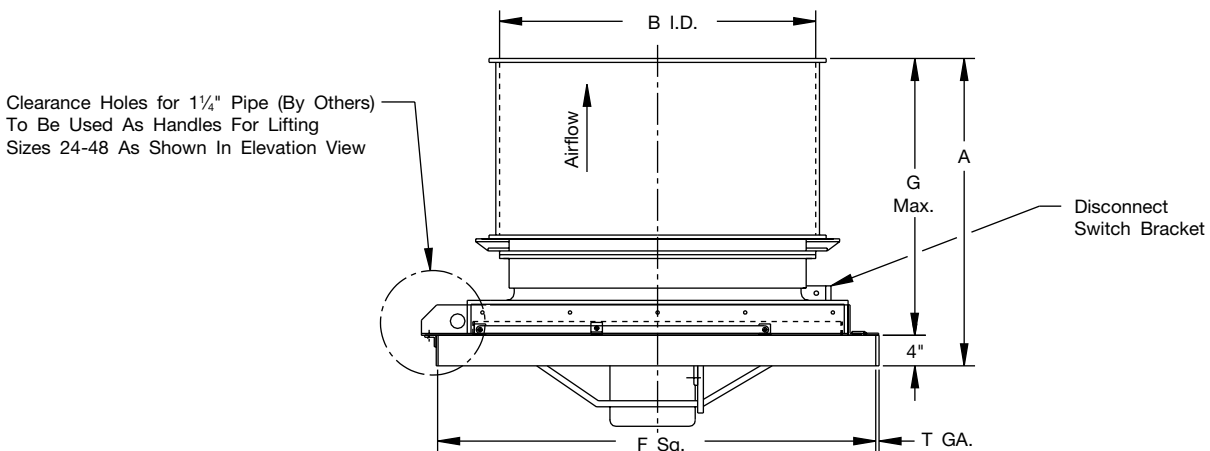
SIZE	A	B	C	D	E	F	G	H	GA	MOTOR FRAME MAXIMUM
24	51	54	15 ¹⁵ / ₁₆	28 ¹⁵ / ₁₆	35 ³ / ₄	12	13	4	14 GA.	142T
30	63	66	17 ¹⁵ / ₁₆	31 ⁷ / ₁₆	43 ³ / ₄	13	13 ¹ / ₂	4	14 GA.	184T
36	75	75	19 ¹⁵ / ₁₆	35 ¹¹ / ₁₆	49 ³ / ₄	16	15 ³ / ₄	4	14 GA.	184T
42	87	88	21 ¹⁵ / ₁₆	37 ¹¹ / ₁₆	55 ³ / ₄	18	15 ³ / ₄	4	14 GA.	215T
48	99	86	23 ¹⁵ / ₁₆	40 ⁹ / ₁₆	61 ³ / ₄	23	16 ¹ / ₄	4	14 GA.	215T
54	111	93	23 ¹⁵ / ₁₆	37 ¹⁵ / ₁₆	67 ³ / ₄	22	14	2	12 GA.	254T
60	123	124	26 ¹ / ₂	40 ¹ / ₂	74 ³ / ₄	22	14	4	12 GA.	254T

BC1005842

Dimensions in inches unless otherwise indicated.

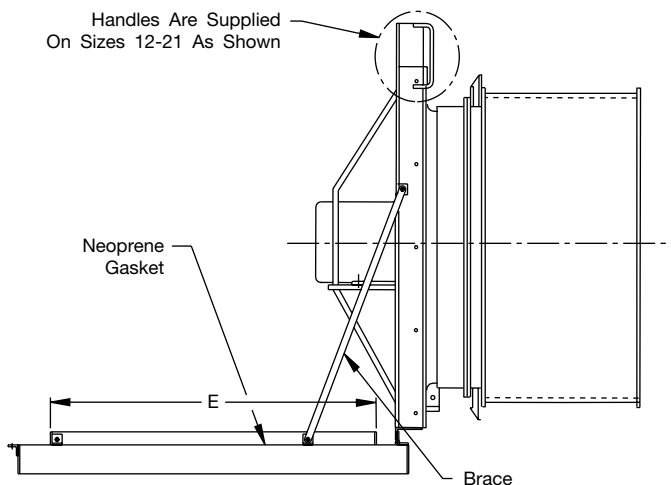
Dimensions are not to be used for construction.

Model 53 Upblast Roof Ventilator With Hinged Base



Elevation View

- Direct Drive As Shown 12" thru 48"
- Belted Construction 24" thru 48"



SIZE	A	B	E	F	G	T	D53 MTR. FR. MAX.	B53 MTR. FR. MAX.
12	29	18 ³ / ₈	22 ¹ / ₂	31 ³ / ₄	25	12 GA.	56	—
14	30	20 ³ / ₈	23 ¹ / ₂	32 ³ / ₄	26	12 GA.	56	—
16	34 ³ / ₈	22 ³ / ₈	26 ¹ / ₂	35 ³ / ₄	30 ³ / ₈	12 GA.	56	—
18	37 ¹ / ₄	25 ³ / ₈	28 ¹ / ₂	37 ³ / ₄	33 ¹ / ₄	10 GA.	56	—
21	40 ⁵ / ₈	26 ⁷ / ₈	31 ¹ / ₂	40 ³ / ₄	36 ⁵ / ₈	10 GA.	145T	—
24	41	28 ⁷ / ₈	34 ¹ / ₂	43 ³ / ₄	37	10 GA.	184T	145T
30	44 ⁵ / ₈	36 ⁷ / ₈	42 ¹ / ₂	51 ³ / ₄	40 ⁵ / ₈	7 GA.	184T	184T
36	47 ¹ / ₂	42 ⁷ / ₈	48 ¹ / ₂	57 ³ / ₄	43 ¹ / ₂	7 GA.	215T	184T
42	50 ¹ / ₂	48 ⁷ / ₈	54 ¹ / ₂	63 ³ / ₄	46 ¹ / ₂	7 GA.	256T	215T
48	54	54 ⁷ / ₈	60 ¹ / ₂	69 ³ / ₄	50	7 GA.	256T	215T

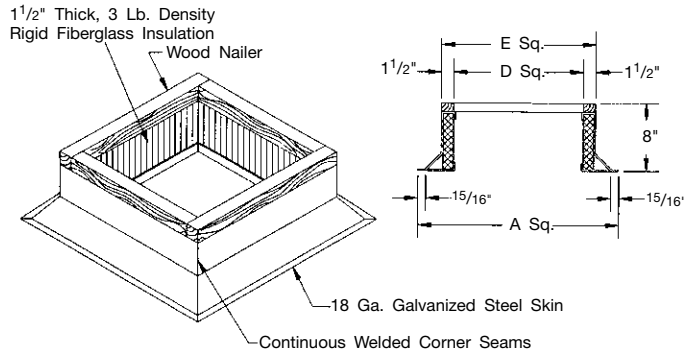
R-24593D

Dimensions in inches unless otherwise indicated.

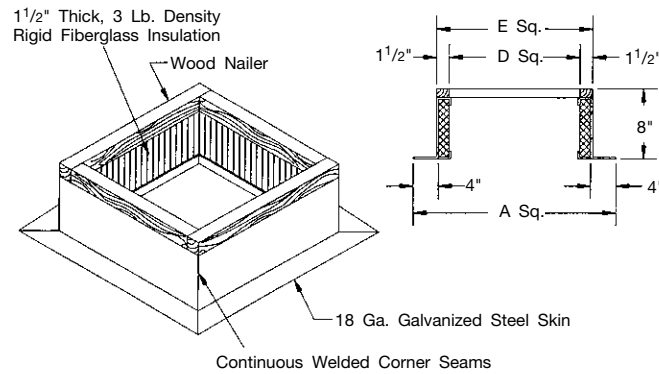
Dimensions are not to be used for construction.

Standard Roof Curbs

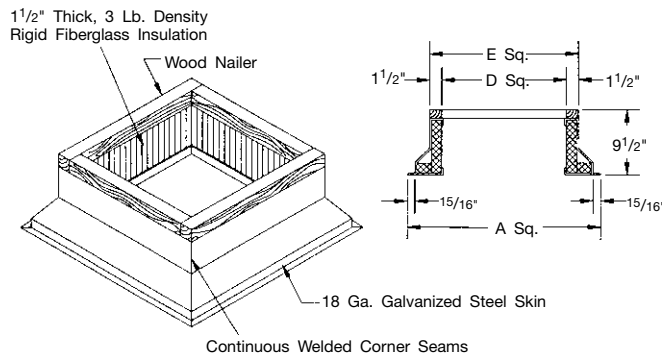
Type 1



Type 2



Type 5



CURB SIZE	FOR UPBLAST & HOODED VENTILATORS			FOR HINGED UPBLAST VENTILATORS		
	A	D	E	A	D	E
12	30	19	22	38 ¹ / ₁₆	26 ³ / ₄	30
14	31	20	23	39 ¹ / ₁₆	27 ³ / ₄	31
16	34	23	26	42 ¹ / ₁₆	30 ³ / ₄	34
18	36	25	28	44 ¹ / ₁₆	32 ³ / ₄	36
21	39	28	31	47 ¹ / ₁₆	35 ³ / ₄	39
24	42	31	34	50 ¹ / ₁₆	38 ³ / ₄	42
30	50	39	42	58 ¹ / ₁₆	46 ³ / ₄	50
36	56	45	48	64 ¹ / ₁₆	52 ³ / ₄	56
42	62	51	54	70 ¹ / ₁₆	58 ³ / ₄	62
48	68	57	60	76 ¹ / ₁₆	64 ³ / ₄	68
54	74	63	66	NA	NA	NA
60	81	70	73	NA	NA	NA
72	95	84	87	NA	NA	NA

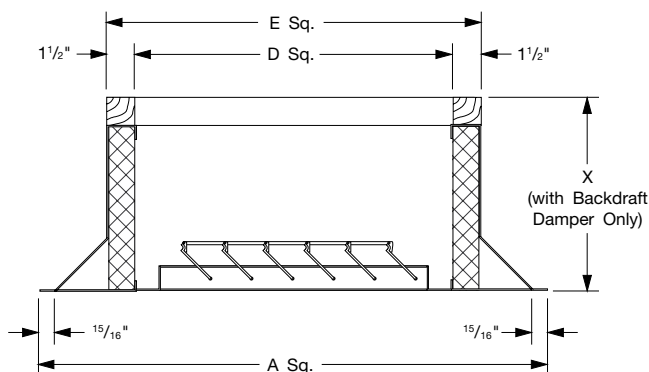
R-24798E R-24799E R-24800D

Dimensions in inches unless otherwise indicated.

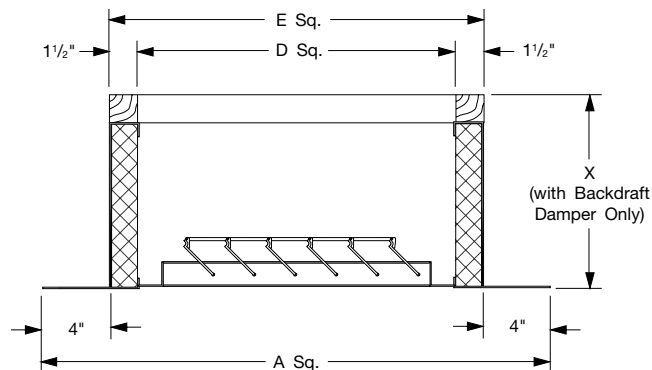
Dimensions are not to be used for construction.

Curb/Damper Combinations For Model 53 Hooded Fans

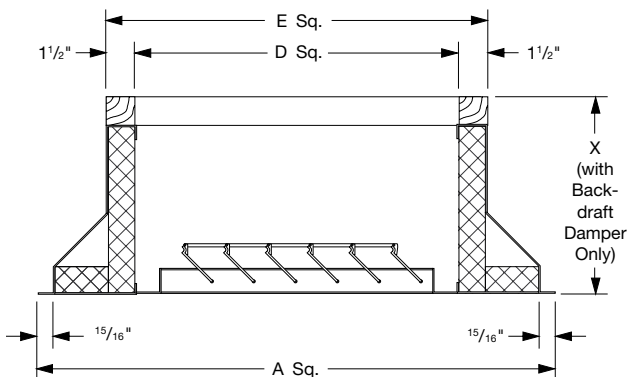
Type 1



Type 2



Type 5



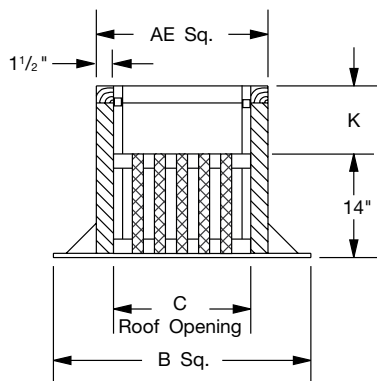
SIZE	A	D	E	X
12	30	19	22	24
14	31	20	23	24
16	34	23	26	24
18	36	25	28	24
21	39	28	31	24
24	42	31	34	25
30	50	39	42	26
36	56	45	48	29
42	62	51	54	29
48	68	57	60	35
54	74	63	66	35
60	81	70	73	35

R-31141A R-31142A R-31172A

Dimensions in inches unless otherwise indicated.
Dimensions are not to be used for construction.

Roof Ventilator Sound Curbs

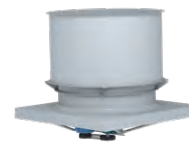
Surface Mounted



SIZE	B	C	AE	K	GA.
12	31 1/4	20	23	18	14
14	32 1/4	21	24	18	14
16	35 1/4	24	27	18	14
18	37 1/4	26	29	18	14
21	40 1/4	29	32	18	14
24	43 1/4	32	35	19	14
30	51 1/4	40	43	20	14
36	57 1/4	46	49	23	14
42	63 1/4	52	55	23	14
48	69 1/4	58	61	29	12
54	75 1/4	64	67	29	12
60	82 1/4	71	74	29	12

R-24810A

Dimensions in inches unless otherwise indicated.
Dimensions are not to be used for construction.



Models

D53 | B53

Upblast Roof Ventilators, where indicated on drawings and schedules, shall be either direct drive or belted as manufactured by Aerovent, Minneapolis, Minnesota, and shall be of the size and capacity as indicated in the fan schedule.

Units shall be complete with a stack cap damper assembly for vertical upblast discharge and a curb base panel to facilitate mounting the roof ventilator assembly to a roof curb. Roof ventilators shall be tested and certified in accordance with ANSI/ASHRAE 51-1999 and ANSI/AMCA 210-99 test codes and guaranteed by the manufacturer to deliver at the rated published performance levels. In addition, each unit shall be factory run tested prior to shipment.

CONSTRUCTION — Fan base panels shall be constructed of deep, smooth spun orifice panel with 16-gauge mild steel on panel sizes through 21", 14-gauge mild steel on panel sizes 24" through 48", and 12-gauge mild steel on panel sizes 54" through 72". Fans shall be constructed of the following optional metal:

- Aluminum
- Hot Dip Galvanized
- 304 Stainless Steel
- 316 Stainless Steel

The stack cap dampers shall be heavy duty butterfly type. The windband shall be of 14-gauge steel. Damper blades shall be fabricated from 24-gauge steel from 12" through 24" fan diameter and 20-gauge steel from 30" through 72" fan diameter. All edges of the damper blades are to have a formed pie crust edge to provide maximum strength and rigidity. Heavy duty steel damper rods shall rotate on rust proof, oil impregnated bronze bushings.

PROPELLER — Precision Macheta-tipped airfoil propellers shall be of A319 cast aluminum. The propeller shall be secured to the motor shaft with split taper lock bushings in all sizes.

BEARINGS — All belted propeller fans are to be supplied with sealed pillow block bearings. Bearings shall have a minimum L-10 life as defined by AFBMA of at least 20,000 hours (100,000 hours average life).

DRIVE — Sheaves shall be cast iron with static conducting belts. The adjustment of the belt tension is accomplished with an adjustable motor base.

MOTOR — Fan motors shall be foot mounted NEMA Design B, standard industrial continuous duty, ball bearing (ODP, TEAO, TEFC, FCXP) variable torque type suitable for operation on voltage, phase, and hertz as listed in the fan schedule.

BALANCING — The propeller assembly shall be statically and dynamically balanced in accordance with ANSI / AMCA 204-96 "Balance Quality and Vibration Levels for Fans" to Fan Application Category BV-3, Balance Quality Grade G6.3. In addition, direct drive fan propellers shall be balanced on the motor shaft, belted fan propellers shall be balanced on the fan shaft after final assembly in the fan casing, in the manufacturing facility, to the following peak velocity values, filter-in, at the fan test speed:

Fan Application Category	Rigidly Mounted (in./s)	Flexibly Mounted (in./s)
BV-3	0.15	0.20

FINISH — The unit, after fabrication, shall be cleaned and chemically pretreated by a phosphatizing process and shall be painted inside and outside with an alkyd primer and finish painted with an air dry enamel. The fan shall be coated with the following optional finish:

- Air Dry Epoxy
- Asphalt Based Coating
- Stainless Steel Construction
- High Temperature Aluminum
- Hot Dip Galvanizing

The following coatings require a sandblast metal preparation before applying:

- Heresite VR504 – Air Dry Epoxy Phenolic

SOUND POWER LEVELS — The sound power level of the fans shall not exceed:

Octave Band — CPS (Sound Power 10⁻¹²)

20 -75	75 - 150	150 - 300	300 - 600	600 - 1200	1200 - 2400	2400 - 4800	4800 - 10000

ACCESSORIES — The unit shall be furnished complete with:

- NEMA 3R outdoor rainproof nonfused safety disconnect switch (mounted/mounted and wired)
- NEMA 4 outdoor watertight/dusttight nonfused safety switch (mounted/mounted and wired)
- Prefab insulated roof curb (galvanized steel/aluminum/stainless steel) (slope base/flat base/peak base)
- Sound curb
- Motorized stack cap damper
- Inlet safety screen
- Hinged base
- Bird screen/outlet safety screen

Model

HD53 | HB53



Hooded Roof Ventilators, where indicated on drawings and schedules, shall be either direct drive or belted as manufactured by Aerovent, Minneapolis, Minnesota, and shall be of the size and capacity as indicated in the fan schedule.

Units shall be complete with a galvanized steel hood assembly for vertical supply or discharge and a curb base panel to facilitate mounting the roof ventilator assembly to a roof curb. Roof ventilators shall be tested and certified in accordance with industry test codes and are guaranteed by the manufacturer to deliver at the rated published performance levels. In addition, each unit shall be factory run tested prior to shipment.

CONSTRUCTION — Fan base panels shall be constructed of deep, smooth spun orifice panel with 16-gauge mild steel on panel sizes through 21", 14-gauge mild steel on panel sizes 24" through 48", and 12-gauge mild steel on panel sizes 54" through 60". Fans shall be constructed of the following optional metal:

- Aluminum
- Hot Dip Galvanized
- 304 Stainless Steel
- 316 Stainless Steel

Sizes 24 thru 60 use a hood that is constructed of galvanized steel. Hoods are attached to the fan section with heavy angle structural supports. An optional fiberglass reinforced plastic hood is also available.

PROPELLER — Precision Macheta-tipped airfoil propellers shall be of A319 cast aluminum. The propeller shall be secured to the motor shaft with split taper lock bushings in all sizes.

BEARINGS — All belted propeller fans are to be supplied with sealed pillow block bearings. Bearings shall have a minimum L-10 life as defined by AFBMA of at least 20,000 hours (100,000 hours average life).

DRIVE — Sheaves shall be cast iron with static conducting belts. The adjustment of the belt tension is accomplished with an adjustable motor base.

MOTOR — Fan motors shall be foot mounted NEMA Design B, standard industrial continuous duty, ball bearing (ODP, TEAO, TEFC, FCXP) variable torque type suitable for operation on voltage, phase, and hertz as listed in the fan schedule.

BALANCING — The propeller assembly shall be statically and dynamically balanced in accordance with ANSI / AMCA 204-96 "Balance Quality and Vibration Levels for Fans" to Fan Application Category BV-3, Balance Quality Grade G6.3. In addition, direct drive fan propellers shall be balanced on the motor shaft, belted fan propellers shall be balanced on the fan shaft after final assembly in the fan casing, in the manufacturing facility, to the following peak velocity values, filter-in, at the fan test speed:

Fan Application Category	Rigidly Mounted (in./s)	Flexibly Mounted (in./s)
BV-3	0.15	0.20

FINISH — The unit, after fabrication, shall be cleaned and chemically pretreated by a phosphatizing process and shall be painted inside and outside with an alkyd primer and finish painted with an air dry enamel. The fan shall be coated with the following optional finish:

- Air Dry Epoxy
- High Temperature Aluminum
- Asphalt Based Coating
- Hot Dip Galvanizing
- Stainless Steel Construction

The following coatings require a sandblast metal preparation before applying:

- Heresite VR504 – Air Dry Epoxy Phenolic

Sound Power Levels — The sound power level of the fans shall not exceed:

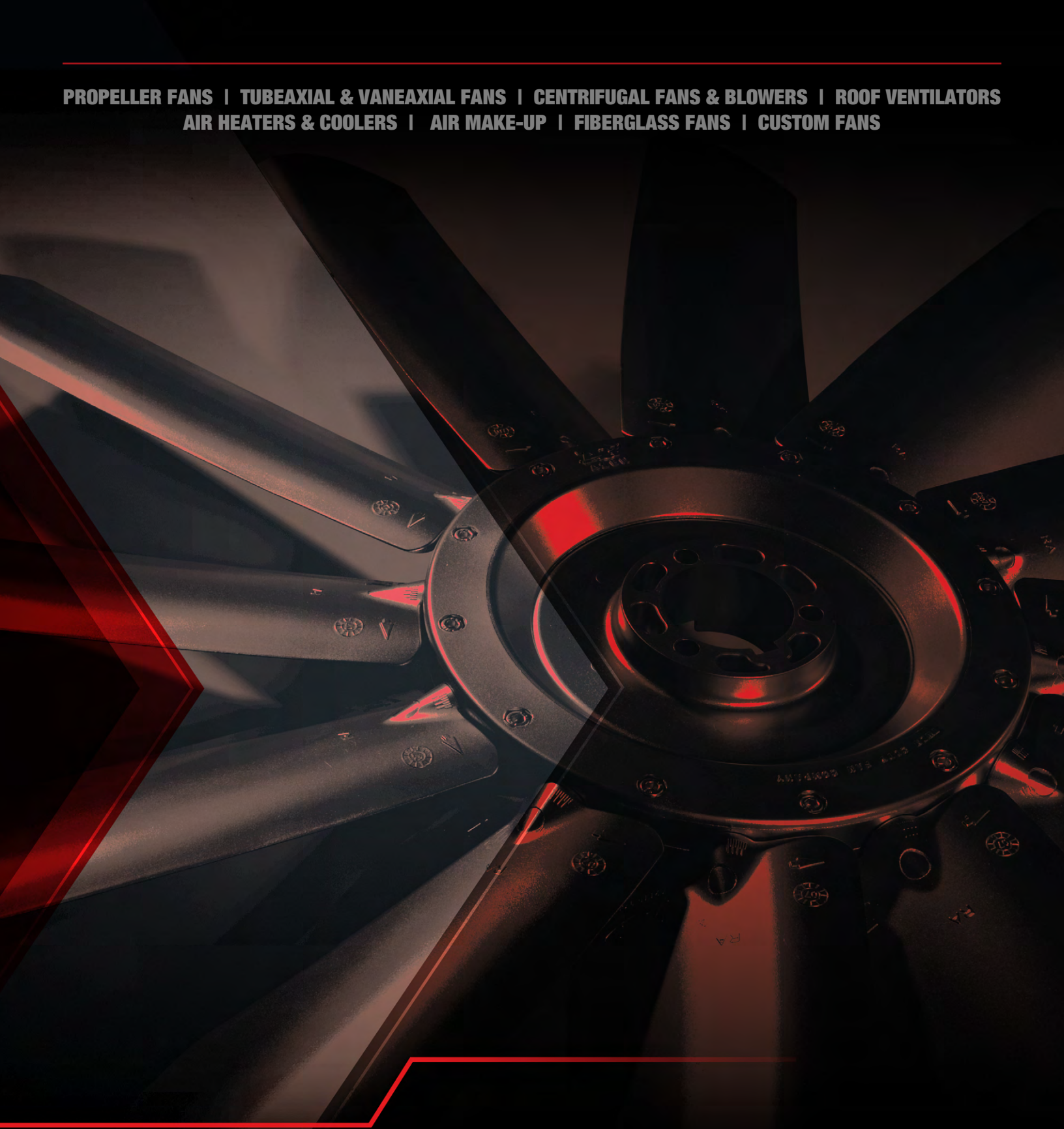
Octave Band – CPS (Sound Power 10–12)

20 -75	75 - 150	150 - 300	300 - 600	600 - 1200	1200 - 2400	2400 - 4800	4800 - 10000

ACCESSORIES — The unit shall be furnished complete with:

- NEMA 3R outdoor rainproof nonfused safety disconnect switch (mounted/mounted and wired)
- NEMA 4 outdoor watertight/dusttight nonfused safety switch (mounted/mounted and wired)
- Prefab insulated roof curb (galvanized steel/aluminum/stainless steel) (slope base/flat base/peak base)
- Sound curb
- Bird screen/outlet safety screen
- Inlet safety screen

PROPELLER FANS | TUBEAXIAL & VANEAXIAL FANS | CENTRIFUGAL FANS & BLOWERS | ROOF VENTILATORS
AIR HEATERS & COOLERS | AIR MAKE-UP | FIBERGLASS FANS | CUSTOM FANS



AEROVENT
A Twin City Fan Company

AEROVENT 
INDUSTRIAL VENTILATION SYSTEMS

WWW.AEROVENT.COM

5959 Trenton Lane N | Minneapolis, MN 55442 | Phone: 763-551-7500 | Fax: 763-551-7501