

PROPELLER UPBLAST



INTRODUCTION

Loren Cook Company Propeller Upblast fans are designed for industrial and commercial applications requiring movement of large volume of air with low static pressures and discharge of air up and away from a building. All units are produced in an ISO 9001 certified facility and are listed by Underwriters Laboratory (UL 705) and UL Listed for Canada (cUL 705).

- Exhausted air is naturally diluted in the atmosphere and carried away by air currents.
- Offered in both low silhouette and standard versions.
- Low silhouette units are especially suited for use in metal buildings with standing seam roofs where service of the motor and drive components from inside the building is desired.



LXU/LEU



LTU



AUD/91 8#TUD



AUB/EUB/TUB

LXU

- LXU/LXUM are low silhouette units that utilize the **COOK "X.STREAM Series"** steel propeller.
- LXUL/LXUM are licensed to bear AMCA Certified Seals for Air and Sound Performance.
- LXUL/LXUM are belt drive units available in 8 sizes from 20 to 60 inches. Performance ranges from 3,300 to 59,000 CFM with static pressures from 0 to .625 inches.

LEU

- LEU is a low silhouette unit that utilizes the **COOK "E Series"** extruded aluminum airfoil propeller.
- LEU is licensed to bear AMCA Certified Seal for Air and Sound Performance.
- LEU is a belt drive unit available in 8 sizes from 20 to 60 inches. Performance ranges from 3,400 to 59,000 CFM with static pressures from 0 to 1 inch.

LTU

- LTU is a low silhouette unit that utilizes the **COOK "TRITON® Series"** steel propeller.
- LTU is licensed to bear AMCA Certified Seal for Air Performance.
- LTU is a belt drive unit available in 8 sizes from 20 to 60 inches. Performance ranges from 3,400 to 73,000 CFM with static pressures from 0 to 1.125 inches.

AUD/AUB

- AUD and AUB are standard units that utilize the **COOK "A Series"** cast aluminum airfoil propeller.
- AUD and AUB are licensed to bear AMCA Certified Seals for Air Performance.
- AUD is a direct drive unit available in 5 sizes from 24 to 48 inches. Performance ranges from 3,600 to 35,000 CFM with static pressures from 0 to .250 inches.
- AUB is a belt drive unit available in 5 sizes from 24 to 48 inches. Performance ranges from 4,000 to 35,000 CFM with static pressures from 0 to .250 inches.

EUD / EUB

- EUD/EUB is a standard unit that utilizes the **COOK "E Series"** extruded aluminum airfoil propeller.
- EUB is licensed to bear AMCA Certified Seal for Air Performance.
- EUB is a belt drive unit available in 8 sizes from 24 to 72 inches. Performance ranges from 4,000 to 94,000 CFM with static pressures from 0 to 1.250 inches.
- EUD is a direct drive unit available in 5 sizes from 24 to 48 inches. Performance ranges from 4,000 to 60,000 CFM with static pressures from 0 to 1.000 inches.

TUD/TUB

- TUD and TUB are standard units that utilize the **COOK "TRITON® Series"** steel propeller.
- TUB is available with UL/cUL listing for "Power Ventilator for Smoke Control Systems".
- TUB is licensed to bear AMCA Certified Seal for Air Performance.
- TUBSC is UL listed "Power Ventilator for Smoke Control Systems".
- TUD is a direct drive unit available in 8 sizes from 20 to 60 inches. Performance ranges from 3,400 to 60,000 CFM with static pressures from 0 to 1 inch.
- TUB is a belt drive unit available in 9 sizes from 20 to 72 inches. Performance ranges from 3,300 to 92,000 CFM with static pressures from 0 to 1.25 inch.



“A Series” - Cast Aluminum Airfoil Propeller

- Designed for heavy commercial or industrial applications where large volumes of air are required at low static pressures.
- Constructed of heavy gauge aluminum with six cast blades and a cast hub.
- Blade pitch is determined at the factory and the blades are locked into place by a roll pin.
- Statically and dynamically balanced for vibration free operation.



“E Series” - Extruded Aluminum Airfoil Propeller

- Designed for use where higher static pressures are required.
- Constructed with six extruded aluminum airfoil blades and mounted to a cast aluminum hub.
- Blade pitch is determined at the factory and the blades are locked into place by a roll pin.
- “E Series” blade has a non-overloading characteristic such as is found in a centrifugal type wheel.
- Statically and dynamically balanced for vibration free operation.



“TRITON® Series” – Steel Propeller

- Designed using Computational Fluid Dynamics (CFD) and Finite Element Analysis (FEA) to provide optimum air flow, efficiency, quality and durability.
- Constructed of heavy gauge steel components in a fully welded assembly.
- Designed for large volumes of air at medium pressure levels.
- Statically and dynamically balanced for vibration free operation.



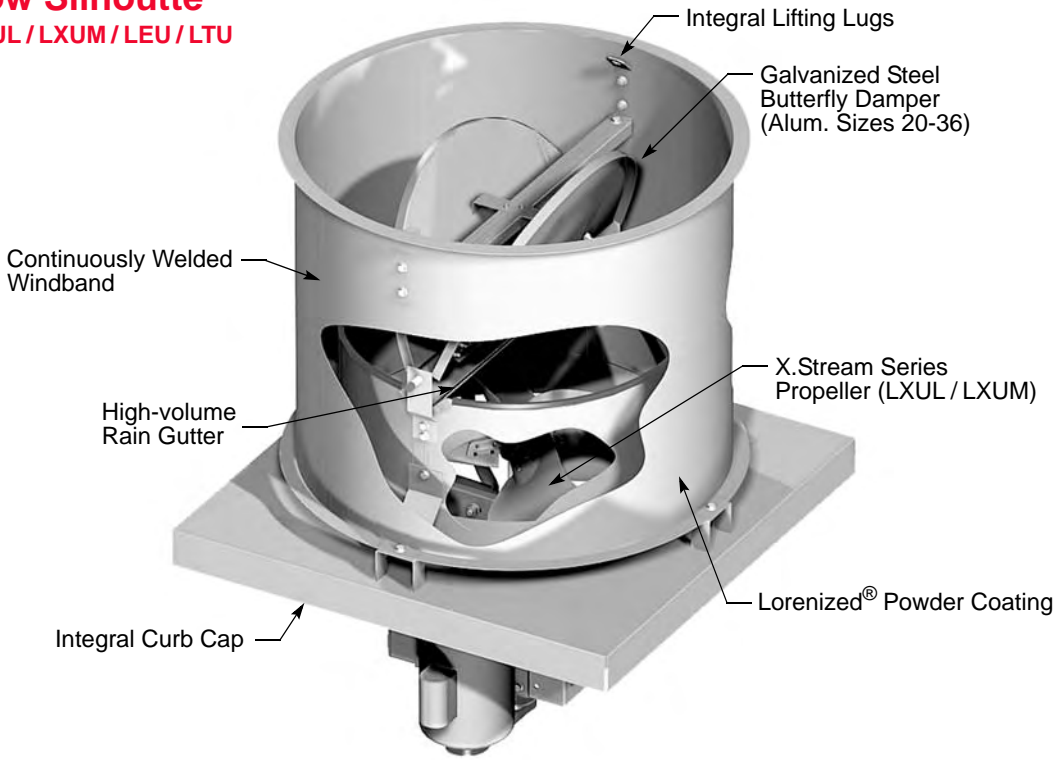
“X.STREAM Series” - Steel Propeller

- Designed using Computational Fluid Dynamics (CFD) and Finite Element Analysis (FEA) to provide optimum air flow, efficiency, quality and durability.
- Available in both low pressure (LXUL) and medium pressure (LXUM) models providing a wide performance range, high pressure capabilities, and low noise levels.
- Constructed of fabricated steel blades securely attached to a minimum 7 gauge steel hub.
- Statically and dynamically balanced for vibration free operation.

STANDARD CONSTRUCTION FEATURES

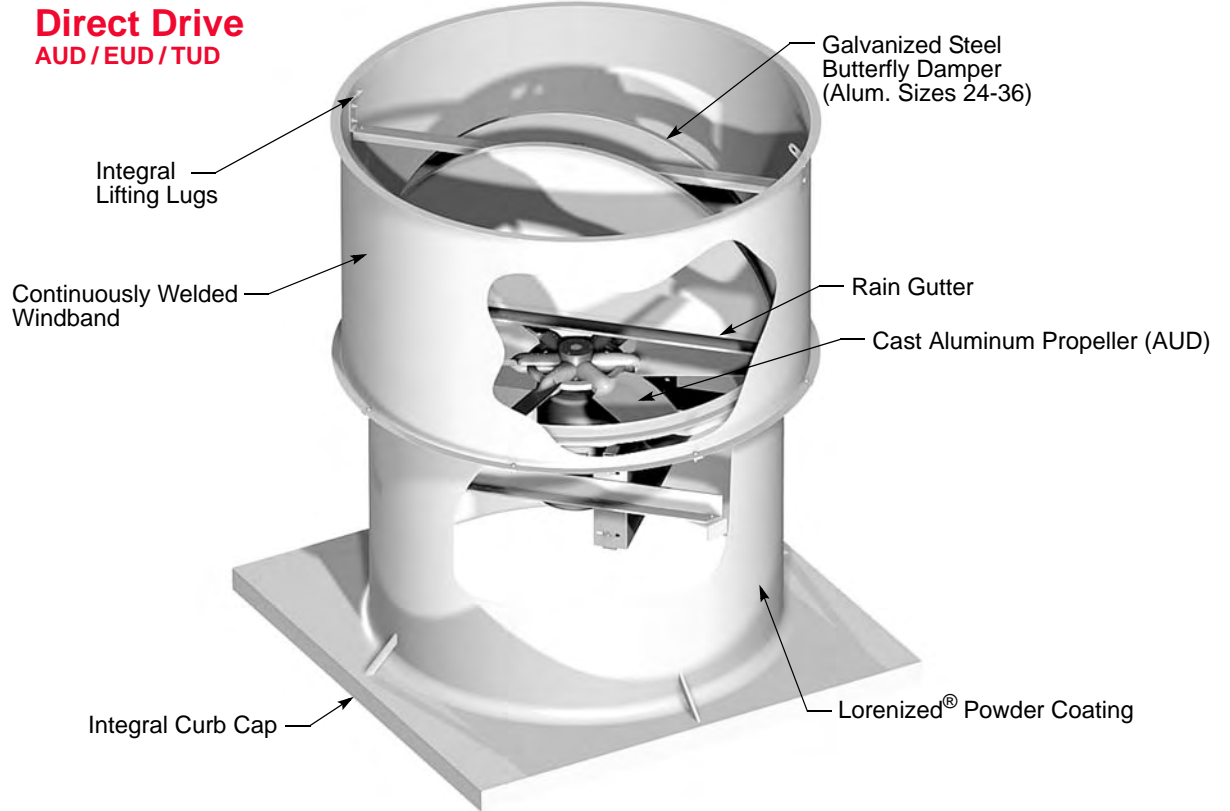
Low Silhouette

LXUL / LXUM / LEU / LTU



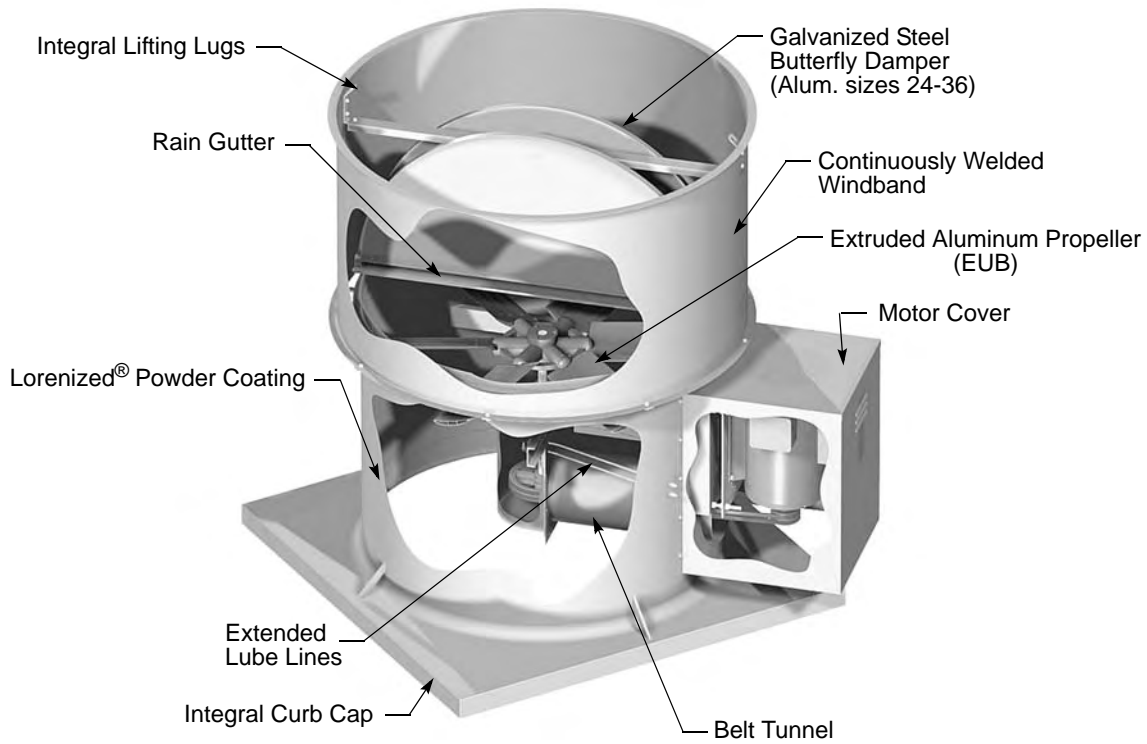
Direct Drive

AUD / EUD / TUD



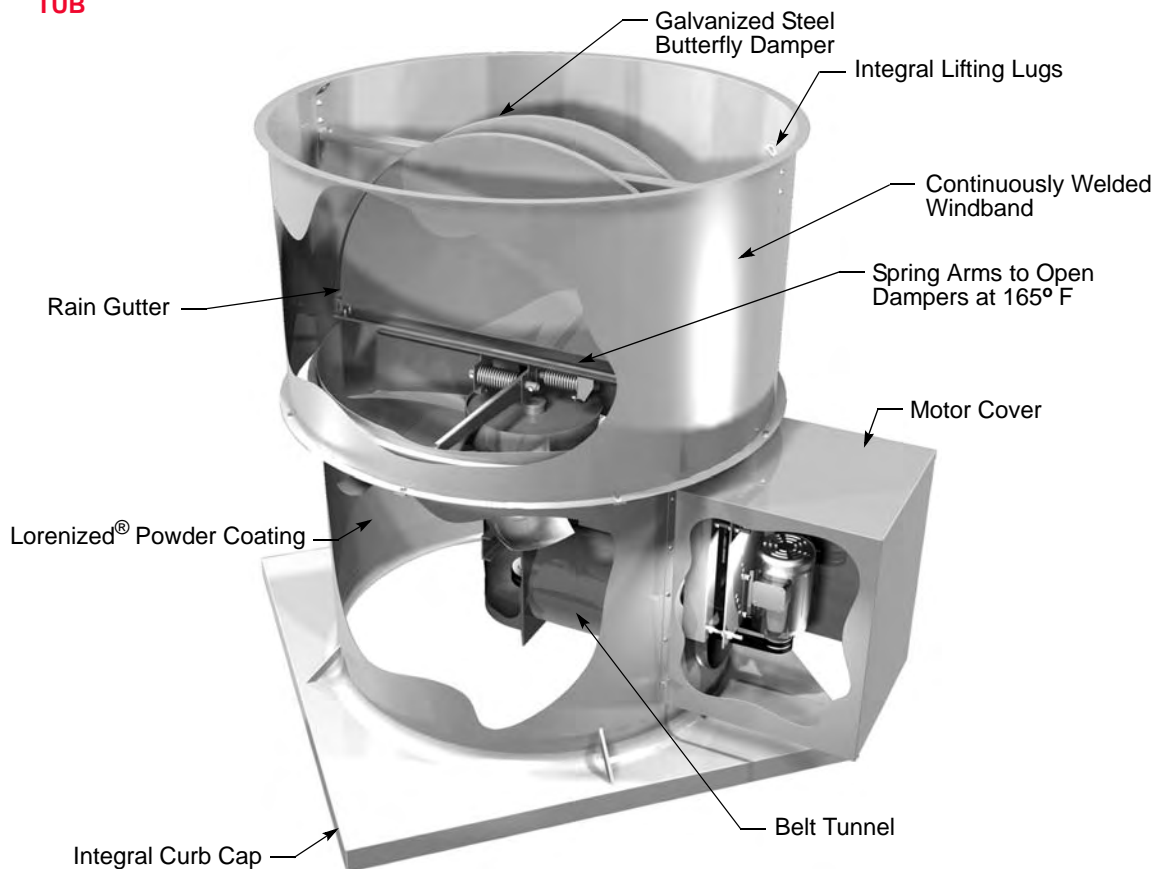
Belt Drive

AUB / EUB / TUB



UL for Smoke Control

TUB



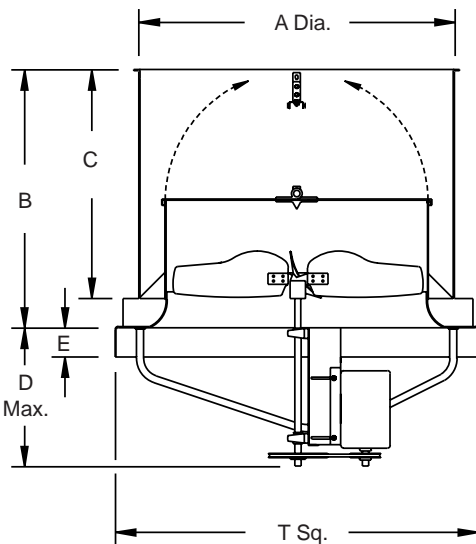
**Upblast Roof Fan
Low Silhouette
X.STREAM Propeller
Belt Drive**



Loren Cook Company certifies that the LXUL/LXUM shown herein is licensed to bear the AMCA Seal. The ratings shown are based on tests and procedures performed in accordance with AMCA Publication 211 and AMCA Publication 311 and comply with the requirements of the AMCA Certified Ratings Program.



Type LXUL/LXUM are furnished standard with UL 705 and cUL 705 listing (Power Ventilator/ZACT) when furnished with factory supplied motor.



Description - Fan shall be a low silhouette, belt driven upblast propeller roof fan.

Certifications - Fan shall be manufactured at an ISO 9001 certified facility. Fan shall be listed by Underwriters Laboratories (UL 705) and UL listed for Canada (cUL 705). Fan shall bear the AMCA Certified Ratings Seal for Sound and Air Performance.

Construction - The fan shall be of bolted and welded construction utilizing corrosion resistant fasteners. The motor, bearings and drives shall be mounted on a tubular steel power assembly. The power assembly shall be welded to a minimum 14 gauge steel base. The base shall have an integral venturi and continuously welded curb cap corners. Fan housing shall be minimum 14 gauge steel, bolted to the fan base. Fan shall have butterfly discharge dampers of aluminum or steel construction with a high volume rain gutter to prevent rain infiltration. Dampers shall be protected by a continuously welded steel windband. Windband shall be minimum 18 gauge steel with minimum one inch flanges for maximum strength and rigidity. The fan shall include integral lifting lugs capable of safely supporting the total weight of the fan with motor. Unit shall bear an engraved aluminum nameplate and shall be shipped in ISTA Certified Transit Tested Packaging.

Coating - All steel fan components shall be Lorenized[®] with an electrostatically applied, baked polyester powder coating. Each component shall be subject to a five stage environmentally friendly wash system, followed by a minimum 2 mil thick baked powder finish. Paint must exceed 1,000 hour salt spray under ASTM B117 test method.

Propeller - Propeller shall be a high-efficiency fabricated steel design with blades securely fastened to a minimum 7 gauge steel hub. The hub shall be keyed and locked to the fan shaft utilizing two setscrews. Propeller shall be balanced in accordance with AMCA Standard 204-05, Balance Quality and Vibration Levels for Fans.

Motor - Motor shall be Nema design B with class B insulation rated for continuous duty and furnished at the specified voltage, phase and enclosure.

Bearings - Bearings shall be cast pillowblock ball type selected for a minimum L50 life in excess of 200,000 hours at maximum cataloged operating speed.

Belts and Drives - Belts shall be oil and heat resistant, non-static type. Drives shall be precision machined cast iron type, keyed and securely attached to the wheel and motor shafts. Drives shall be sized for 150% of the installed motor horsepower. The variable pitch motor drive must be factory set to the specified fan RPM.

Product - Fan shall be model LXUL/LXUM as manufactured by Loren Cook Company of Springfield, Missouri.

LXUL/LXUM Dimension Data

Size	A Dia.	B	C	D Max.	E	T Sq.	Steel Gauge			Roof Opening Square	Approx. Ship Wt. Lbs.
							Base	Housing	Baffle		
20	27-3/8	24-1/8	22-1/8	21	2	32	14	14	18	27-1/2	300
24	31-3/8	28	26	21	3	36	14	14	18	31-1/2	370
30	37-3/8	34	32	21	3	42	14	14	18	37-1/2	440
36	43-3/8	38	36	21	3	48	14	14	18	43-1/2	500
42	49-3/8	45	43	21	3	54	14	14	18	49-1/2	590
48	55-3/8	50	48	24	3	60	14	14	18	55-1/2	655
54	61-3/8	46	44	28	3	66	14	14	16	61-1/2	800
60	67-3/8	51	49	28	3	72	14	14	16	67-1/2	1000

All dimensions in inches. *Roof opening size for curbs supplied by Loren Cook Company only. Shipping weights are less motor.

Upblast Roof Fan Low Silhouette Extruded Aluminum Propeller Belt Drive



Description - Fan shall be a low silhouette, belt driven upblast propeller roof fan.
Certifications - Fan shall be manufactured at an ISO 9001 certified facility. Fan shall be listed by Underwriters Laboratories (UL 705) and UL listed for Canada (cUL 705). Fan shall bear the AMCA Certified Ratings Seal for Sound and Air Performance.

Construction - The fan shall be of bolted and welded construction utilizing corrosion resistant fasteners. The motor, bearings and drives shall be mounted on a tubular steel power assembly. The power assembly shall be welded to a minimum 14 gauge steel base. The base shall have an integral venturi and continuously welded curb cap corners. Fan housing shall be minimum 14 gauge steel and bolted to the fan base. Fan shall have butterfly discharge dampers of aluminum or steel construction with a high volume rain gutter to prevent rain infiltration. Dampers shall be protected by a continuously welded steel windband. Windband shall be minimum 18 gauge steel with minimum one inch flanges for maximum strength and rigidity. The fan shall include integral lifting lugs capable of safely supporting the total weight of the fan with motor. Unit shall bear an engraved aluminum nameplate and shall be shipped in ISTA Certified Transit Tested Packaging.

Coating - All steel fan components shall be Lorenized[®] with an electrostatically applied, baked polyester powder coating. Each component shall be subject to a five stage environmentally friendly wash system, followed by a minimum 2 mil thick baked powder finish. Paint must exceed 1,000 hour salt spray under ASTM B117 test method.

Propeller - Propeller shall be extruded aluminum airfoil design with cast aluminum hub. The blade pitch shall be factory set and locked using set screws and roll pins. The hub shall be keyed and locked to the shaft utilizing two set screws or a taper lock bushing. Propeller shall be balanced in accordance with AMCA Standard 204-05, Balance Quality and Vibration Levels for Fans.

Motor - Motor shall be Nema design B with class B insulation rated for continuous duty and furnished at the specified voltage, phase and enclosure.

Bearings - Bearings shall be cast pillowblock ball type selected for a minimum L50 life in excess of 200,000 hours at maximum cataloged operating speed.

Belts and Drives - Belts shall be oil and heat resistant, non-static type. Drives shall be precision machined cast iron type, keyed and securely attached to the wheel and motor shafts. Drives shall be sized for 150 percent of the installed motor horsepower. The variable pitch motor drive must be factory set to the specified fan RPM.

Product - Fan shall be model LEU as manufactured by Loren Cook Company of Springfield, Missouri.



Loren Cook Company certifies that the LEU shown herein is licensed to bear the AMCA Seal. The ratings shown are based on tests and procedures performed in accordance with AMCA Publication 211 and AMCA Publication 311 and comply with the requirements of the AMCA Certified Ratings Program.

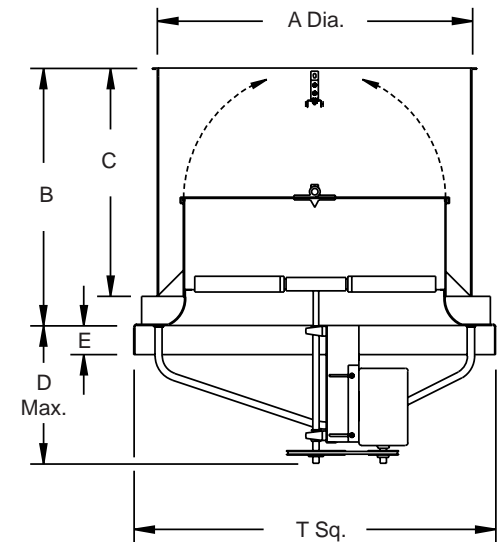


Type LEU is furnished standard with UL 705 and cUL 705 listing (Power Ventilator/ZACT) when furnished with factory supplied motor.

LEU Dimension Data

Size	A Dia.	B	C	D Max.	E	T Sq.	Steel Gauge			Roof Opening Square	Approx. Ship Wt. Lbs.
							Base	Housing	Baffle		
20	27-3/8	24-1/8	22-1/8	21	2	32	14	14	18	27-1/2	300
24	31-3/8	28	26	21	3	36	14	14	18	31-1/2	370
30	37-3/8	34	32	21	3	42	14	14	18	37-1/2	440
36	43-3/8	38	36	21	3	48	14	14	18	43-1/2	500
42	49-3/8	45	43	21	3	54	14	14	18	49-1/2	590
48	55-3/8	50	48	24	3	60	14	14	18	55-1/2	655
54	61-3/8	46	44	28	3	66	14	14	16	61-1/2	800
60	67-3/8	51	49	28	3	72	14	14	16	67-1/2	1000

All dimensions in inches. Shipping weights are less motor. *Roof opening size for curbs supplied by Loren Cook Company only.



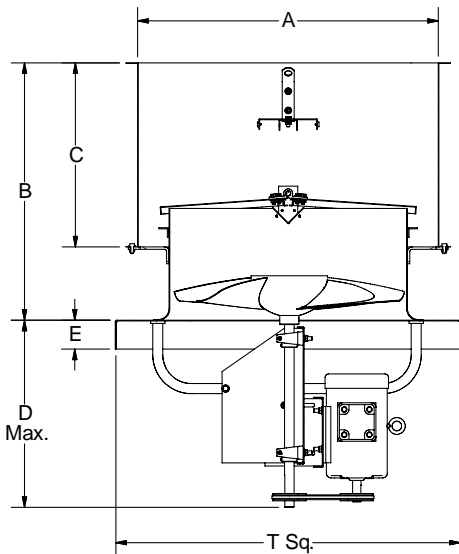
Upblast Roof Fan Low Silhouette TRITON® Steel Propeller Belt Drive



Loren Cook Company certifies that the LTU shown herein is licensed to bear the AMCA Seal. The ratings shown are based on tests and procedures performed in accordance with AMCA Publication 211 and comply with the requirements of the AMCA Certified Ratings Program.



Type LTU is furnished standard with UL 705 and cUL 705 listing (Power Ventilator/ZACT) when furnished with factory supplied motor.



Description - Fan shall be a low silhouette, belt driven upblast propeller roof fan.

Certifications - Fan shall be manufactured at an ISO 9001 certified facility. Fan shall be listed by Underwriters Laboratories (UL 705) and UL listed for Canada (cUL 705). Fan shall bear the AMCA Certified Ratings Seal for Air Performance.

Construction - The fan shall be of bolted and welded construction utilizing corrosion resistant fasteners. The motor, bearings and drives shall be mounted on a tubular steel power assembly. The power assembly shall be welded to a minimum 14 gauge steel base. The base shall have an integral venturi and continuously welded curb cap corners. Fan housing shall be minimum 14 gauge steel, bolted to the fan base. Fan shall have butterfly discharge dampers of aluminum or steel construction with a high volume rain gutter to prevent rain infiltration. Dampers shall be protected by a continuously welded steel windband. Windband shall be minimum 18 gauge steel with minimum one inch flanges for maximum strength and rigidity. The fan shall include integral lifting lugs capable of safely supporting the total weight of the fan with motor. Unit shall bear an engraved aluminum nameplate and shall be shipped in ISTA Certified Transit Tested Packaging.

Coating - All steel fan components shall be Lorenized® with an electrostatically applied, baked polyester powder coating. Each component shall be subject to a five stage environmentally friendly wash system, followed by a minimum 2 mil thick baked powder finish. Paint must exceed 1,000 hour salt spray under ASTM B117 test method.

Propeller - Propeller shall be a high-efficiency fabricated steel design with blades securely fastened to a minimum 7 gauge steel hub. The hub shall be keyed and locked to the fan shaft utilizing two setscrews. Propeller shall be balanced in accordance with AMCA Standard 204-05, Balance Quality and Vibration Levels for Fans.

Motor - Motor shall be Nema design B with class B insulation rated for continuous duty and furnished at the specified voltage, phase and enclosure.

Bearings - Bearings shall be cast pillowblock ball type selected for a minimum L50 life in excess of 200,000 hours at maximum cataloged operating speed.

Belts and Drives - Belts shall be oil and heat resistant, non-static type. Drives shall be precision machined cast iron type, keyed and securely attached to the wheel and motor shafts. Drives shall be sized for 150% of the installed motor horsepower. The variable pitch motor drive must be factory set to the specified fan RPM.

Product - Fan shall be model LTU as manufactured by Loren Cook Company of Springfield, Missouri.

LTU Dimension Data

Size	A Dia.	B	C	D Max.	E	T Sq.	Steel Gauge			Roof Opening Square	Approx. Ship Wt. Lbs.
							Base	Housing	Baffle		
20	27-1/4	24-7/8	17-1/2	22	2	32	14	14	18	27-1/2	306
24	31-1/4	26-3/4	19-1/8	22	3	36	14	14	18	31-1/2	378
30	37-1/4	33-3/4	23-5/8	22	3	42	14	14	18	37-1/2	448
36	43-1/4	38	25-5/8	22	3	48	14	14	18	43-1/2	520
42	49-1/4	44	27-5/8	22	3	54	14	14	18	49-1/2	610
48	55-1/4	49-5/8	31-1/4	25	3	60	14	14	18	55-1/2	700
54	61-1/4	48-1/8	35-1/4	29	3	66	14	14	16	61-1/2	870
60	67-1/4	50-3/8	36-1/2	29	3	72	14	14	16	67-1/2	1080

All dimensions in inches. *Roof opening size for curbs supplied by Loren Cook Company only. Shipping weights are less motor.

- **Description:** The fan shall be a belt driven, upblast propeller roof fan with motor outside of airstream.
- **Certifications:** Fan shall be manufactured at an ISO 9001 certified facility. Fan shall be listed by Underwriters Laboratories (UL 705) and UL listed for Canada (cUL 705). Fan shall bear the AMCA Certified Ratings Seal for Sound and Air Performance.
- **Construction:** The fan shall be of bolted and welded construction utilizing corrosion resistant fasteners. The fan shall consist of an upper and lower assembly. The upper assembly shall consist of a base, unit housing, butterfly discharge damper, and a wind band. The integral cap shall have an integral venturi and continuously welded corners. Unit housing shall be minimum 14 gauge steel. Dampers of aluminum or galvanized steel construction. Dampers shall be protected by a continuously welded steel wind band. Wind band shall be a minimum 18 gauge steel with minimum one inch flanges for maximum strength and rigidity. The lower assembly consists of a bolted, minimum 12 gauge galvanized die formed angle frame power assembly with minimum 18 gauge galvanized outer housing panels fastened to the outer frame. The motor is located out of the airstream and shall be mounted to a minimum 10 gauge galvanized adjustable motor plate assembly which shall utilize threaded J-bolts and pivot design for positive belt tensioning. The motor shall be protected by a minimum 18 gauge motor cover. The fan shall include integral lifting lugs capable of safely supporting the total weight of the fan with motor. Unit shall bear an engraved aluminum nameplate. Nameplate shall indicate design CFM, static pressure, and maximum fan RPM. Unit shall be shipped in ISTA Certified Transit Tested Packaging.
- **Coating:** All non-galvanized steel fan components shall be Lorenized™ with an electrostatically applied, baked polyester powder coating. Each component shall be subject to a five stage environmentally friendly wash system, followed by a minimum 2 mil thick baked powder finish. Paint must exceed 1,000 hour salt spray under ASTM B117 test method.
- **Propeller:** Propeller shall be a high-efficiency fabricated steel design with blades securely fastened to a minimum 7 gauge steel hub. The hub shall be keyed and locked to the fan shaft utilizing two setscrews. Propeller shall be balanced in accordance with AMCA Standard 204-05, Balance Quality and Vibration Levels for Fans.
- **Motor:** Motor shall be NEMA Design B with Class B insulation rated for continuous duty and furnished at the specified voltage, phase and enclosure.
- **Bearings:** Bearings shall be designed and tested specifically for use in air handling applications. Construction shall be heavy duty regreasable ball type in a cast iron housing selected for a minimum L50 life in excess of 200,000 hours at maximum cataloged operating speed.
- **Belts and Drives:** Belts shall be oil and heat resistant, static conducting. Drives shall be precision machined cast iron type, keyed and securely attached to the wheel and motor shafts. Drives shall be sized for 150% of the installed motor horsepower. The variable pitch motor drive must be factory set to the specified fan RPM.
- **Product:** Fan shall be model LXULMO or LXUMMO as manufactured by LOREN COOK COMPANY of Springfield, Missouri.

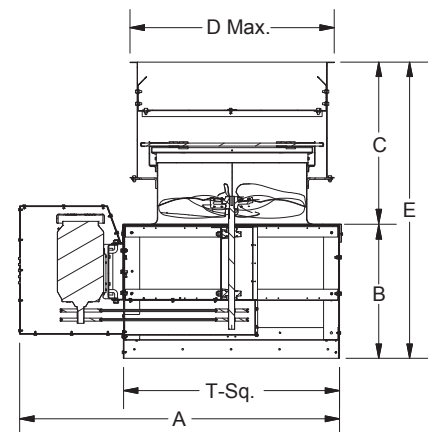
Low Silhouette, X.STREAM Propeller, Upblast Roof Fan, Low or Medium Pressure, with Belt Drive Motor Outside of Airstream



LOREN COOK COMPANY certifies that the LXULMO & LXUMMO shown herein are licensed to bear the AMCA Seal. The ratings shown are based on tests and procedures performed in accordance with AMCA Publication 211 and AMCA Publication 311 and comply with the requirements of the AMCA Certified Ratings Program.



Type LXULMO & LXUMMO are furnished standard with UL 705 and CUL 705 listing (Power Ventilator/ZACT) when furnished with factory supplied motor.



Dimensions (inches)

Size	A	B	C	D Max	E	T Square	Shipping Weight (Lbs)
20	44 13/16	22	25 1/8	27 1/4	47 1/8	31 5/8	250
24	48 13/16	22	26 3/4	31 1/4	48 3/4	35 5/8	287
30	54 13/16	22	33 3/4	37 1/4	55 3/4	41 5/8	349
36	64 11/16	24	38	43 1/4	62	47 5/8	455
42	70 11/16	24	46 3/8	49 1/4	70 3/8	53 5/8	560
48	76 11/16	24	49 5/8	55 1/4	73 5/8	59 5/8	615
54	83 11/16	28	48	61 1/4	76	65 5/8	804
60	93 11/16	32	50 3/4	67	82 3/4	71 5/8	1101

Weights are estimated, without motor.

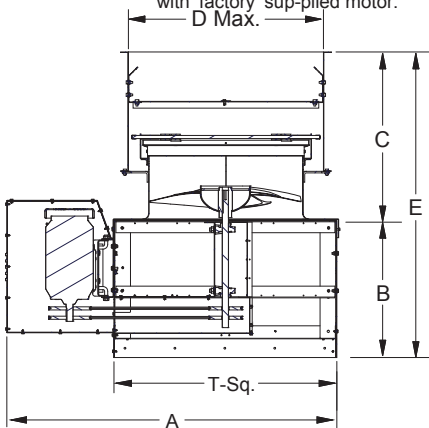
Low Profile, TRITON® Steel Propeller, Upblast Roof Fan, with Belt Drive Motor Outside of Airstream



LOREN COOK COMPANY certifies that the LTUMO shown herein is licensed to bear the AMCA Seal. The ratings shown are based on tests and procedures performed in accordance with AMCA Publication 211 and AMCA Publication 311 and comply with the requirements of the AMCA Certified Ratings Program.



Type LTUMO is furnished standard with UL 705 and CUL 705 listing (Power Ventilator/ZACT) when furnished with factory supplied motor.



- **Description:** The fan shall be a belt driven, high temperature, upblast steel propeller roof exhaust fan with motor outside of airstream.
- **Certifications:** Fan shall be manufactured at an ISO 9001 certified facility. Fan shall be listed by Underwriters Laboratories (UL 705) and UL listed for Canada (cUL 705). Fan shall bear the AMCA Certified Ratings Seal for Sound and Air Performance.
- **Construction:** The fan shall be of bolted and welded construction utilizing corrosion resistant fasteners. The fan shall consist of an upper and lower assembly. The upper assembly shall consist of a base, unit housing, butterfly discharge damper, and a wind band. The integral cap shall have an integral venturi and continuously welded corners. Unit housing shall be minimum 14 gauge steel. Dampers of aluminum or galvanized steel construction. Dampers shall be protected by a continuously welded steel wind band. Wind band shall be a minimum 18 gauge steel with minimum one inch flanges for maximum strength and rigidity. The lower assembly consists of a bolted, minimum 12 gauge galvanized die formed angle frame power assembly with minimum 18 gauge galvanized outer housing panels fastened to the outer frame. The motor is located out of the airstream and shall be mounted to a minimum 10 gauge galvanized adjustable motor plate assembly which shall utilize threaded J-bolts and pivot design for positive belt tensioning. The motor shall be protected by a minimum 18 gauge motor cover. The fan shall include integral lifting lugs capable of safely supporting the total weight of the fan with motor. Unit shall bear an engraved aluminum nameplate. Nameplate shall indicate design CFM, static pressure, and maximum fan RPM. Unit shall be shipped in ISTA Certified Transit Tested Packaging.
- **Coating:** All non-galvanized steel fan components shall be Lorenized™ with an electrostatically applied, baked polyester powder coating. Each component shall be subject to a five stage environmentally friendly wash system, followed by a minimum 2 mil thick baked powder finish. Paint must exceed 1,000 hour salt spray under ASTM B117 test method.
- **Propeller:** Propeller shall be a high-efficiency fabricated steel design with blades securely fastened to a minimum 7 gauge steel hub. The hub shall be keyed and locked to the fan shaft utilizing two setscrews. Propeller shall be balanced in accordance with AMCA Standard 204-05, Balance Quality and Vibration Levels for Fans.
- **Motor:** Motor shall be NEMA Design B with Class B insulation rated for continuous duty and furnished at the specified voltage, phase and enclosure.
- **Bearings:** Bearings shall be designed and tested specifically for use in air handling applications. Construction shall be heavy duty regreasable ball type in a cast iron housing selected for a minimum L50 life in excess of 200,000 hours at maximum cataloged operating speed.
- **Belts and Drives:** Belts shall be oil and heat resistant, static conducting. Drives shall be precision machined cast iron type, keyed and securely attached to the wheel and motor shafts. Drives shall be sized for 150% of the installed motor horsepower. The variable pitch motor drive must be factory set to the specified fan RPM.
- **Product:** Fan shall be model LTUMO as manufactured by LOREN COOK COMPANY of Springfield, Missouri.

Dimensions (inches)

Size	A	B	C	D	F	T Square	Shipping Weight (Lbs)
20	44 13/16	22	25 1/8	27 1/4	47 1/8	31 5/8	249
24	48 13/16	22	26 3/4	31 1/4	48 3/4	35 5/8	285
30	54 13/16	22	33 3/4	37 1/4	55 3/4	41 5/8	348
36	64 11/16	24	38	43 1/4	62	47 5/8	466
42	70 11/16	24	46 3/8	49 1/4	70 3/8	53 5/8	560
48	76 11/16	24	49 5/8	55 1/4	73 5/8	59 5/8	628
54	83 11/16	28	48	61 1/4	76	65 5/8	848
60	93 11/16	28	50 3/4	67 1/4	78 3/4	71 5/8	1138

Weights are estimated, without motor.

- **Description:** The fan shall be a belt driven, upblast propeller roof fan with motor outside of airstream.
- **Certifications:** Fan shall be manufactured at an ISO 9001 certified facility. Fan shall be listed by Underwriters Laboratories (UL 705) and UL listed for Canada (cUL 705). Fan shall bear the AMCA Certified Ratings Seal for Sound and Air Performance.
- **Construction:** The fan shall be of bolted and welded construction utilizing corrosion resistant fasteners. The fan shall consist of an upper and lower assembly. The upper assembly shall consist of a base, unit housing, butterfly discharge damper, and a wind band. The integral cap shall have an integral venturi and continuously welded corners. Unit housing shall be minimum 14 gauge steel. Dampers of aluminum or galvanized steel construction. Dampers shall be protected by a continuously welded steel wind band. Wind band shall be a minimum 18 gauge steel with minimum one inch flanges for maximum strength and rigidity. The lower assembly consists of a bolted, minimum 12 gauge galvanized die formed angle frame power assembly with minimum 18 gauge galvanized outer housing panels fastened to the outer frame. The motor is located out of the airstream and shall be mounted to a minimum 10 gauge galvanized adjustable motor plate assembly which shall utilize threaded J-bolts and pivot design for positive belt tensioning. The motor shall be protected by a minimum 18 gauge motor cover. The fan shall include integral lifting lugs capable of safely supporting the total weight of the fan with motor. Unit shall bear an engraved aluminum nameplate. Nameplate shall indicate design CFM, static pressure, and maximum fan RPM. Unit shall be shipped in ISTA Certified Transit Tested Packaging.
- **Coating:** All non-galvanized steel fan components shall be Lorenized™ with an electrostatically applied, baked polyester powder coating. Each component shall be subject to a five stage environmentally friendly wash system, followed by a minimum 2 mil thick baked powder finish. Paint must exceed 1,000 hour salt spray under ASTM B117 test method.
- **Propeller:** Propeller shall be extruded aluminum airfoil design with cast aluminum hub. The blade pitch shall be factory set and locked using set screws and roll pin. The hub shall be keyed and locked to the shaft utilizing two set screws or a taper lock bushing. Propeller shall be balanced in accordance with AMCA Standard 204-05, Balance Quality and Vibration Levels for Fans.
- **Motor:** Motor shall be NEMA Design B with Class B insulation rated for continuous duty and furnished at the specified voltage, phase and enclosure.
- **Bearings:** Bearings shall be designed and tested specifically for use in air handling applications. Construction shall be heavy duty regreasable ball type in a cast iron housing selected for a minimum L50 life in excess of 200,000 hours at maximum cataloged operating speed.
- **Belts and Drives:** Belts shall be oil and heat resistant, static conducting. Drives shall be precision machined cast iron type, keyed and securely attached to the wheel and motor shafts. Drives shall be sized for 150% of the installed motor horsepower. The variable pitch motor drive must be factory set to the specified fan RPM.
- **Product:** Fan shall be model LEUMO as manufactured by LOREN COOK COMPANY of Springfield, Missouri.

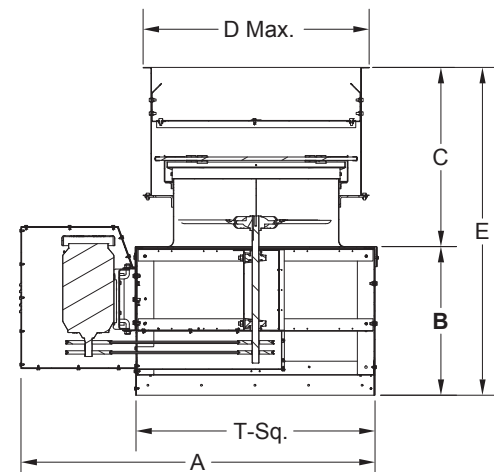
Low Silhouette, Extruded Aluminum Propeller, Upblast Roof Fan, Belt Drive, with Belt Drive Motor Outside of Airstream



LOREN COOK COMPANY certifies that the LEUMO shown herein is licensed to bear the AMCA Seal. The ratings shown are based on tests and procedures performed in accordance with AMCA Publication 211 and AMCA Publication 311 and comply with the requirements of the AMCA Certified Ratings Program.



Type LEUMO is furnished standard with UL 705 and CUL 705 listing (Power Ventilator/ZACT) when furnished with factory supplied motor.



Dimensions (inches)

Size	A	B	C	D	F	T Square	Shipping Weight (Lbs)
20	44 13/16	22	25 1/8	27 1/4	47 1/8	31 5/8	250
24	48 13/16	22	26 3/4	31 1/4	48 3/4	35 5/8	287
30	54 13/16	22	33 3/4	37 1/4	55 3/4	41 5/8	349
36	64 11/16	24	38	43 1/4	62	47 5/8	455
42	70 11/16	24	46 3/8	49 1/4	70 3/8	53 5/8	560
48	76 11/16	24	49 5/8	55 1/4	73 5/8	59 5/8	615
54	83 11/16	28	48	61 1/4	76	65 5/8	804
60	93 11/16	28	50 3/4	67 1/4	78 3/4	71 5/8	1101

Weights are estimated, without motor.

Upblast Roof Fan Cast Aluminum Propeller Direct Drive



Description - Fan shall be a direct drive upblast propeller roof fan.

Certifications - Fan shall be manufactured at an ISO 9001 certified facility. Fan shall be listed by Underwriters Laboratories (UL 705) and UL listed for Canada (cUL 705). Fan shall bear the AMCA Certified Ratings Seal for Air Performance.

Construction - The fan shall be of bolted and welded construction utilizing corrosion resistant fasteners. The motor and propeller shall be mounted on a minimum 10 gauge welded steel power assembly inside a minimum 14 gauge welded steel housing. The housing shall be continuously welded to a minimum 14 gauge steel base with integral venturi and continuously welded curb cap corners. Fan shall have hinged butterfly discharge dampers of aluminum or steel construction with a rain gutter to prevent rain infiltration. Dampers shall be protected by a continuously welded steel windband of minimum 18 gauge steel with minimum one inch flanges for maximum strength and rigidity. Unit shall bear an engraved aluminum nameplate and shall be shipped in ISTA Certified Transit Tested Packaging.

Coating - All steel fan components shall be Lorenized[®] with an electrostatically applied, baked polyester powder coating. Each component shall be subject to a five stage environmentally friendly wash system, followed by a minimum 2 mil thick baked powder finish. Paint must exceed 1,000 hour salt spray under ASTM B117 test method.

Propeller - Propeller shall be cast aluminum airfoil design with cast aluminum hub. The blade pitch shall be factory set and locked using set screws and roll pins. The hub shall be keyed and locked to the shaft utilizing two set screws or a taper lock bushing. Propeller shall be balanced in accordance with AMCA Standard 204-05, Balance Quality and Vibration Levels for Fans.

Motor - Motor shall be heavy duty type with permanently lubricated sealed bearings and furnished at the specified voltage, phase and enclosure.

Product - Fan shall be model AUD as manufactured by Loren Cook Company of Springfield, Missouri.



Loren Cook Company certifies that the AUD shown herein are licensed to bear the AMCA Seal. The ratings shown are based on tests and procedures performed in accordance with AMCA Publication 211 and comply with the requirements of the AMCA Certified Ratings Program.

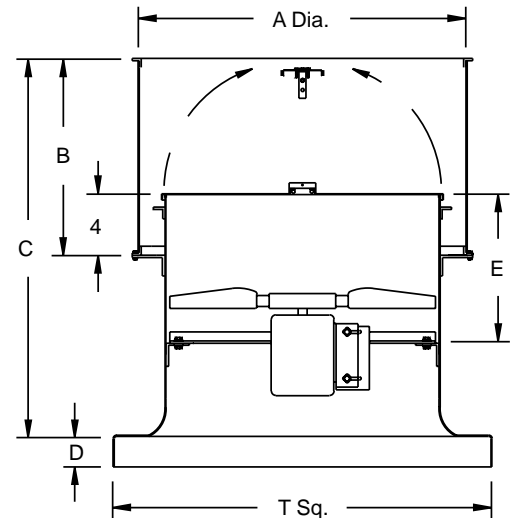


Type AUD is furnished standard with UL 705 and cUL 705 listing (Power Ventilator/ZACT) when furnished with factory supplied motor.

AUD

Size	A Dia.	B	C	D	E	T Sq.	Max. Motor Frame	Approx. Ship. Wt. - lbs. Steel	Approx. Ship. Wt. - lbs. Alum.	Roof Opening Square*
24	31-1/4	19-1/8	48-3/8	3	14	36	145T	342	272	31-1/2
30	37-1/4	23-5/8	54-1/8	3	15	42	184T	445	345	37-1/2
36	43-1/4	25-5/8	61-1/8	3	17	48	256T	570	430	43-1/2
42	49-1/4	27-5/8	64-9/16	3	17	54	256T	671	510	49-1/2
48	55-1/4	31-1/4	70-13/16	3	17	60	256T	840	610	55-1/2

All dimensions in inches. *Roof opening size for curbs supplied by Cook only. Shipping weight includes standard ODP motor.



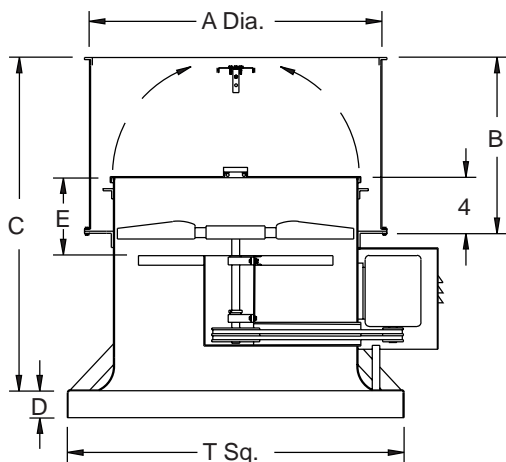
Upblast Roof Fan Cast Aluminum Propeller Belt Drive



Loren Cook Company certifies that the AUB shown herein are licensed to bear the AMCA Seal. The ratings shown are based on tests and procedures performed in accordance with AMCA Publication 211 and comply with the requirements of the AMCA Certified Ratings Program.



Type AUB is furnished standard with UL 705 and cUL 705 listing (Power Ventilator/ZACT) when furnished with factory supplied motor.



Description - Fan shall be a belt driven upblast propeller roof fan.

Certifications - Fan shall be manufactured at an ISO 9001 certified facility. Fan shall be listed by Underwriters Laboratories (UL 705) and UL listed for Canada (cUL 705). Fan shall bear the AMCA Certified Ratings Seal for Air Performance.

Construction - The fan shall be of bolted and welded construction utilizing corrosion resistant fasteners. The motor and propeller shall be mounted on a minimum 10 gauge welded steel power assembly inside a minimum 14 gauge welded steel housing. The housing shall be continuously welded to a minimum 14 gauge steel base with integral venturi and continuously welded curb cap corners. Fan shall have hinged butterfly discharge dampers of aluminum or steel construction with a rain gutter to prevent rain infiltration. Dampers shall be protected by a continuously welded steel windband of minimum 18 gauge steel with minimum one inch flanges for maximum strength and rigidity. Unit shall bear an engraved aluminum nameplate and shall be shipped in ISTA Certified Transit Tested Packaging.

Coating - All steel fan components shall be Lorenized[®] with an electrostatically applied, baked polyester powder coating. Each component shall be subject to a five stage environmentally friendly wash system, followed by a minimum 2 mil thick baked powder finish. Paint must exceed 1,000 hour salt spray under ASTM B117 test method.

Propeller - Propeller shall be cast aluminum airfoil design with cast aluminum hub. The blade pitch shall be factory set and locked using set screws and roll pins. The hub shall be keyed and locked to the shaft utilizing two set screws or a taper lock bushing. Propeller shall be balanced in accordance with AMCA Standard 204-05, Balance Quality and Vibration Levels for Fans.

Motor - Motor shall be Nema design B with class B insulation rated for continuous duty and furnished at the specified voltage, phase and enclosure.

Bearings - Bearings shall be designed and tested specifically for use in air handling applications. Construction shall be heavy duty regreasable ball type in a cast iron housing selected for a minimum L50 life in excess of 200,000 hours at maximum cataloged operating speed.

Belts and Drives - Belts shall be oil and heat resistant, non-static type. Drives shall be precision machined cast iron type, keyed and securely attached to the wheel and motor shafts. Drives shall be sized for 150% of the installed motor horsepower. The variable pitch motor drive must be factory set to the specified fan RPM.

Product - Fan shall be model AUB as manufactured by Loren Cook Company of Springfield, Missouri.

AUB

Size	A Dia.	B	C	D	E	T Sq.	Max. Motor Frame	Approx. Ship. Wt. - lbs. Steel	Approx. Ship. Wt. - lbs. Alum.	Roof Opening Square*
24	31-1/4	19-1/8	48-3/8	3	16-1/2	36	184T	335	280	31-1/2
30	37-1/4	23-5/8	54-1/8	3	13-13/16	42	254T	425	349	37-1/2
36	43-1/4	25-5/8	61-1/8	3	16-1/8	48	254T	510	378	43-1/2
42	49-1/4	27-5/8	64-9/16	3	16-1/8	54	254T	435	435	49-1/2
48	55-1/4	31-1/4	70-13/16	3	14-13/16	60	254T	490	490	55-1/2

All dimensions in inches. Shipping weights are less motor. *Roof opening size for curbs supplied by Cook only.

Description - Fan shall be a belt driven upblast propeller roof fan.

Certifications - Fan shall be manufactured at an ISO 9001 certified facility. Fan shall be listed by Underwriters Laboratories (UL 705) and UL listed for Canada (cUL 705). Fan shall bear the AMCA Certified Ratings Seal for Air Performance.

Construction - The fan shall be of bolted and welded construction utilizing corrosion resistant fasteners. The bearings and drives shall be mounted on a minimum 10 gauge welded steel power assembly. The motor shall be mounted to a minimum 14 gauge steel motor base welded to the outside of the minimum 14 gauge welded steel fan housing. Minimum 10 gauge adjustable motor plate shall utilize threaded studs for positive belt tensioning. The motor shall be protected by a minimum 16 gauge weather cover. The housing shall be continuously welded to a minimum 14 gauge steel base with integral venturi and continuously welded curb cap corners. Fan shall have hinged butterfly discharge dampers of aluminum or steel construction with a rain gutter to prevent rain infiltration. The damper assembly shall be protected by a continuously welded steel windband of minimum 18 gauge steel with minimum one inch flanges for maximum strength and rigidity. Unit shall bear an engraved aluminum nameplate and shall be shipped in ISTA Certified Transit Tested Packaging.

Coating - All steel fan components shall be Lorenized[®] with an electrostatically applied, baked polyester powder coating. Each component shall be subject to a five stage environmentally friendly wash system, followed by a minimum 2 mil thick baked powder finish. Paint must exceed 1,000 hour salt spray under ASTM B117 test method.

Propeller - Propeller shall be cast aluminum airfoil design with cast aluminum hub. The blade pitch shall be factory set and locked using set screws and roll pins. The hub shall be keyed and locked to the shaft utilizing two set screws or a taper lock bushing. Propeller shall be balanced in accordance with AMCA Standard 204-05, Balance Quality and Vibration Levels for Fans.

Motor - Motor shall be Nema design B with class B insulation rated for continuous duty and furnished at the specified voltage, phase and enclosure.

Bearings - Bearings shall be designed and tested specifically for use in air handling applications. Construction shall be heavy duty regreasable ball type in a cast iron housing selected for a minimum L50 life in excess of 200,000 hours at maximum cataloged operating speed.

Belts and Drives - Belts shall be oil and heat resistant, non-static type. Drives shall be precision machined cast iron type, keyed and securely attached to the wheel and motor shafts. Drives shall be sized for 150% of the installed motor horsepower. The variable pitch motor drive must be factory set to the specified fan RPM.

Product - Fan shall be model EUB as manufactured by Loren Cook Company of Springfield, Missouri.

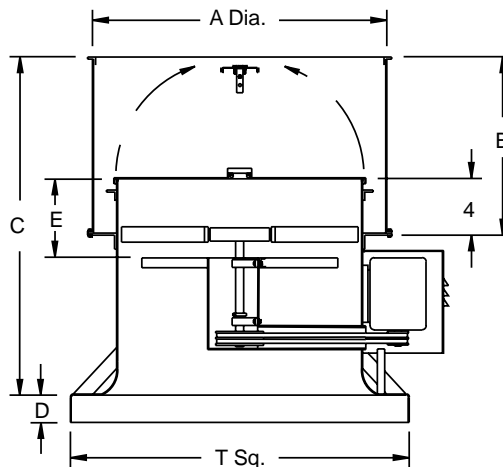
Upblast Roof Fan Extruded Aluminum Propeller Belt Drive



Loren Cook Company certifies that the EUB shown herein are licensed to bear the AMCA Seal. The ratings shown are based on tests and procedures performed in accordance with AMCA Publication 211 and comply with the requirements of the AMCA Certified Ratings Program.



Type EUB is furnished standard with UL 705 and cUL 705 listing (Power Ventilator/ZACT) when furnished with factory supplied motor.



EUB

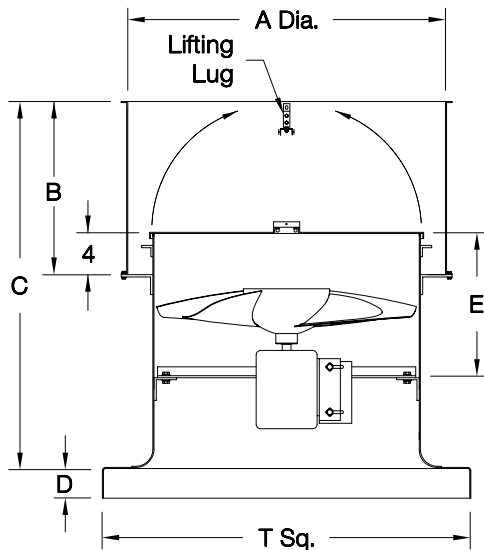
Size	A Dia.	B	C	D	E	T Sq.	Maximum Motor Frame	Approx. Ship. Wt. - lbs. Steel	Approx. Ship. Wt. - lbs. Alum.	Roof Opening Square*
24	31-1/4	19-1/8	48-3/8	3	16-1/2	36	184T	335	280	31-1/2
30	37-1/4	23-5/8	54-1/8	3	13-13/16	42	254T	425	349	37-1/2
36	43-1/4	25-5/8	61-1/8	3	16-1/8	48	254T	510	378	43-1/2
42	49-1/4	27-5/8	64-9/16	3	16-1/8	54	254T	650	435	49-1/2
48	55-1/4	31-1/4	70-13/16	3	14-13/16	60	284T	750	490	55-1/2
54	61-1/4	35-1/4	77	3	17-1/4	66	284T	950	-	61-1/2
60	67-1/4	36-1/2	78-1/4	3	15-1/8	72	284T	1200	-	67-1/2
72	79	44	92-3/4	3	17-1/8	84	284T	1510	-	79-1/2

All dimensions in inches. Shipping weights are less motor. * Roof opening size for curbs supplied by Cook only.

Upblast Roof Fan TRITON® Steel Propeller Direct Drive



Type TUD is furnished standard with UL 705 and cUL 705 listing (Power Ventilator/ZACT) when furnished with factory supplied motor.



Description - Fan shall be a direct drive upblast propeller roof fan.

Certifications - Fan shall be manufactured at an ISO 9001 certified facility. Fan shall be listed by Underwriters Laboratories (UL 705) and UL listed for Canada (cUL 705).

Construction - The fan shall be of bolted and welded construction utilizing corrosion resistant fasteners. The motor and propeller shall be mounted on a minimum 10 gauge welded steel power assembly inside a minimum 14 gauge welded steel housing. The housing shall be continuously welded to a minimum 14 gauge steel base with integral venturi and continuously welded curb cap corners. Fan shall have hinged butterfly discharge dampers of aluminum or steel construction with a rain gutter to prevent rain infiltration. Dampers shall be protected by a continuously welded steel windband of minimum 18 gauge steel with minimum one inch flanges for maximum strength and rigidity. Unit shall bear an engraved aluminum nameplate and shall be shipped in ISTA Certified Transit Tested Packaging.

Coating - All steel fan components shall be Lorenized® with an electrostatically applied, baked polyester powder coating. Each component shall be subject to a five stage environmentally friendly wash system, followed by a minimum 2 mil thick baked powder finish. Paint must exceed 1,000 hour salt spray under ASTM B117 test method.

Propeller - Propeller shall be a high-efficiency fabricated steel design with blades securely fastened to a minimum 7 gauge steel hub. The hub shall be keyed and locked to the motor shaft utilizing two setscrews or a taperlock bushing. Propeller shall be balanced in accordance with AMCA Standard 204-05, Balance Quality and Vibration Levels for Fans.

Motor - Motor shall be Nema design B with class B insulation rated for continuous duty and furnished at the specified voltage, phase and enclosure.

Product - Fan shall be model TUD as manufactured by Loren Cook Company of Springfield, Missouri.

TUD

Size	A Dia.	B	C	D	E	T Sq.	Max. Motor Frame	Approx. Ship. Wt. - lbs.	Roof Opening Square*
20	20-5/8	18-1/8	47-3/4	2	14	32	145T	310	27-1/2
24	31-1/4	19-1/8	48-3/8	3	14	36	145T	380	31-1/2
30	37-1/4	23-5/8	54-1/8	3	16-1/4	42	184T	470	37-1/2
36	43-1/4	25-5/8	61-1/8	3	17	48	256T	610	43-1/2
42	49-1/4	27-7/8	64-9/16	3	18-1/8	54	256T	730	49-1/2
48	55-1/4	31-1/4	70-13/16	3	20-9/16	60	256T	1040	55-1/2
54	60-3/4	35-1/4	79-1/4	3	19-1/8	66	256T	1440	61-1/2
60	72-3/4	36-1/2	83-3/4	3	23-1/4	72	256T	1640	67-1/2

All dimensions in inches. Shipping weight includes standard ODP motor. *Roof opening size for curbs supplied by Cook only.

Upblast Roof Fan TRITON® Steel Propeller Belt Drive



Description - The fan shall be a belt driven upblast propeller roof fan.

Certifications - Fan shall be manufactured at an ISO 9001 certified facility. Fan shall be listed by Underwriters Laboratories (UL 705) and UL listed for Canada (cUL 705). Fan shall bear the AMCA Certified Ratings Seal for Air Performance.

Construction - The fan shall be of bolted and welded construction utilizing corrosion resistant fasteners. The bearings and drives shall be mounted on a minimum 10 gauge welded steel power assembly. The motor shall be mounted to a minimum 14 gauge steel motor base welded to the outside of the minimum 14 gauge welded steel fan housing. Minimum 10 gauge adjustable motor plate shall utilize threaded studs for positive belt tensioning. The motor shall be protected by a minimum 16 gauge weather cover. The fan housing shall be continuously welded to a fan base with integral venturi and continuously welded curb cap corners. Fan shall have hinged butterfly discharge dampers of aluminum or steel construction with a rain gutter to prevent rain infiltration. The damper assembly shall be protected by a continuously welded steel windband of minimum 18 gauge steel with minimum one inch flanges for maximum strength and rigidity. Unit shall bear an engraved aluminum nameplate and shall be shipped in ISTA Certified Transit Tested Packaging.

Coating - All steel fan components shall be Lorenized® with an electrostatically applied, baked polyester powder coating. Each component shall be subject to a five stage environmentally friendly wash system, followed by a minimum 2 mil thick baked powder finish. Paint must exceed 1,000 hour salt spray under ASTM B117 test method.

Propeller - Propeller shall be a high-efficiency fabricated steel design with blades securely fastened to a minimum 7 gauge steel hub. The hub shall be keyed and locked to the fan shaft utilizing two setscrews or a taperlock bushing. Propeller shall be balanced in accordance with AMCA Standard 204-05, Balance Quality and Vibration Levels for Fans.

Motor - Motor shall be Nema design B with class B insulation rated for continuous duty and furnished at the specified voltage, phase and enclosure.

Bearings - Bearings shall be designed and tested specifically for use in air handling applications. Construction shall be heavy duty regreasable ball type in a cast iron housing selected for a minimum L50 life in excess of 200,000 hours at maximum cataloged operating speed.

Belts and Drives - Belts shall be oil and heat resistant, non-static type. Drives shall be precision machined cast iron type, keyed and securely attached to the wheel and motor shafts. Drives shall be sized for 150% of the installed motor horsepower. The variable pitch motor drive must be factory set to the specified fan RPM.

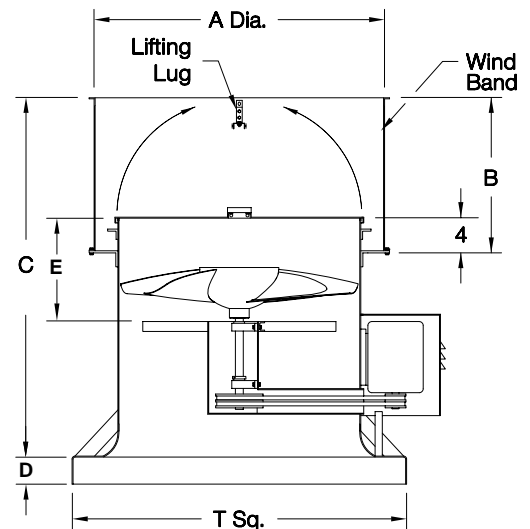
Product - Fan shall be model TUB as manufactured by Loren Cook Company of Springfield, Missouri.



Loren Cook Company certifies that the TUB shown herein is licensed to bear the AMCA Seal. The ratings shown are based on tests and procedures performed in accordance with AMCA Publication 211 and comply with the requirements of the AMCA Certified Ratings Program.



Type TUB is furnished standard with UL 705 and cUL 705 listing (Power Ventilator/ZACT) when furnished with factory supplied motor.



TUB Dimension Data

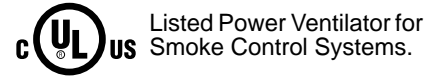
Size	A Dia.	B	C	D	E	T Sq.	Maximum Motor Frame	Shipping Weight	Roof Opening Sq.*
20	27-1/4	18-1/8	47-3/4	2	16-13/16	32	184T	330	27-1/2
24	31-1/4	19-1/8	48-3/8	3	16-13/16	36	184T	380	31-1/2
30	37-1/4	23-5/8	54-1/8	3	16-1/16	42	254T	480	37-1/2
36	43-1/4	25-5/8	61-1/8	3	16-5/16	48	254T	570	43-1/2
42	49-1/4	27-7/8	64-9/16	3	17-7/16	54	254T	670	49-1/2
48	55-1/4	31-1/4	70-13/16	3	18-7/8	60	284T	780	55-1/2
54	61-1/4	35-1/4	79-1/4	3	20-7/8	66	284T	1030	61-1/2
60	67-1/4	36-1/2	83-3/4	3	20-7/8	72	284T	1260	67-1/2
72	79	44	98-13/16	3	22-15/16	84	284T	1620	79-1/2

All dimensions in inches. Shipping weights are less motor. *Roof opening size for curbs supplied by Cook only.

The UL listing "Power Ventilator for Smoke Control Systems" is a test procedure and category which was initiated by Loren Cook Company and developed in a joint effort with UL in 1990. Several different sources were used in the definition of the test procedure. These sources include UL Standards 705, 762, 793, Southern Building Code Congress International (SBCCI) Standard Fire Prevention Code/1988, and Industrial Risk Insurers (IRI) Document E2.

Requirements for UL listing "Power Ventilator for Smoke Control Systems"

- The unit must withstand 500°F airstream temperature for a minimum of four hours (IRI) and withstand 1000°F for a minimum of 15 minutes (SBCCI).
- The unit must be listed under UL 705.



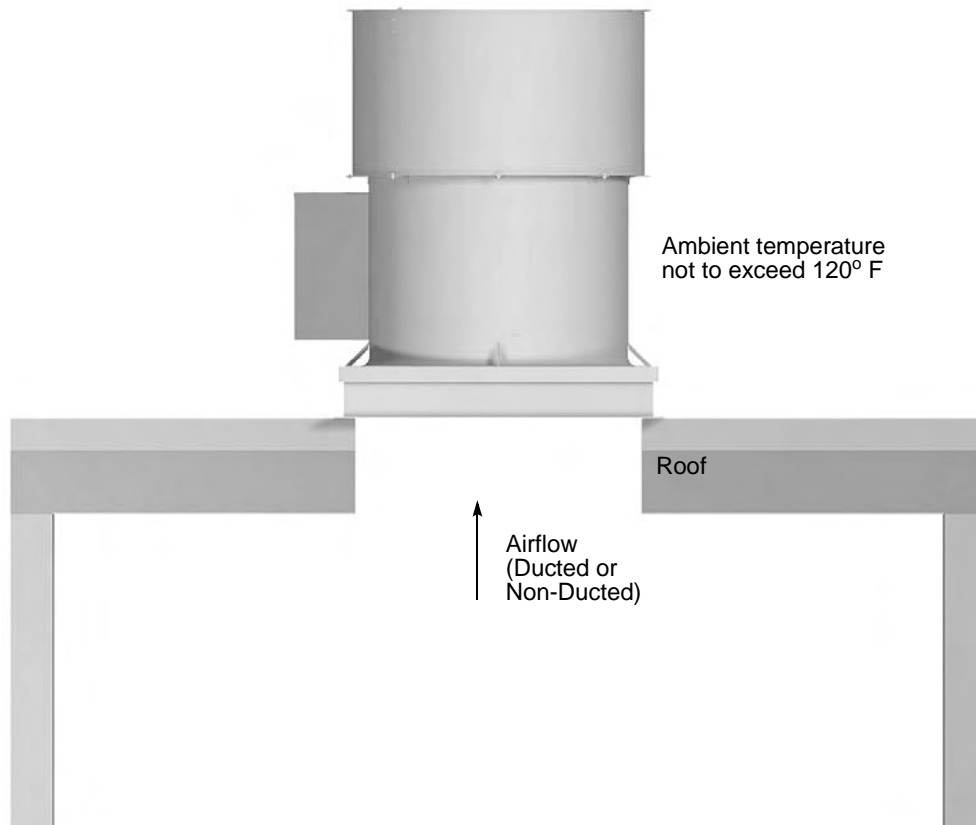
TUB

Smoke Control Ventilator



- High Temperature Upblast Propeller Roof Fan listed by UL as "Power Ventilator for Smoke Control Systems" at 500° F for 4 hours, and at 1,000° F for 15 minutes.
- TUB with Smoke Control available in 9 belt drive sizes. Capacities range from 3,300 to 92,000 CFM, with static pressures from 0 to 1.25 inches.

UL Power Ventilator for Smoke Control Typical Application



ACCESSORIES

Disconnect Switches

NEMA 3 - Exterior mount, rain-tight.

NEMA 4 - Watertight and dust-tight.

NEMA 7 and NEMA 9 - Lockable, explosion proof.



NEMA 4

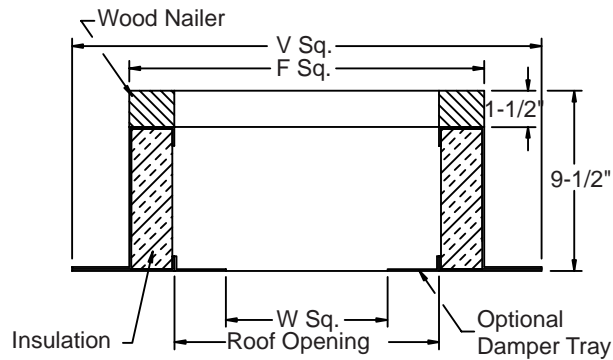


NEMA 3



**NEMA 7
NEMA 9**

Roof Curb

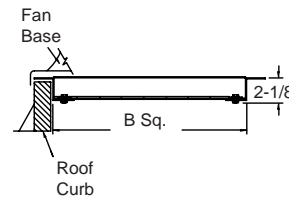
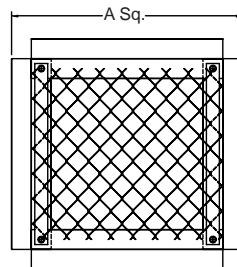
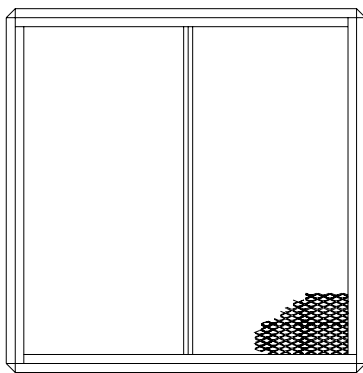


Unit	Cat. No.	F Sq.	V Sq.	W Sq.	Roof Opening
20	RCG-30	30-1/2	34-1/2	23-3/4	27-1/2
24	RCG-34	34-1/2	38-1/2	27-3/4	31-1/2
30	RCG-40	40-1/2	44-1/2	33-3/4	37-1/2
36	RCG-46	46-1/2	50-1/2	39-3/4	43-1/2
42	RCG-52	52-1/2	56-1/2	45-3/4	49-1/2
48	RCG-58	58-1/2	62-1/2	51-3/4	55-1/2
54	RCG-64	64-1/2	68-1/2	57-3/4	61-1/2
60	RCG-70	70-1/2	74-1/2	63-3/4	67-1/2
72	RCG-82	82-1/2	86-1/2	75-3/4	79-1/2

All dimensions in inches.

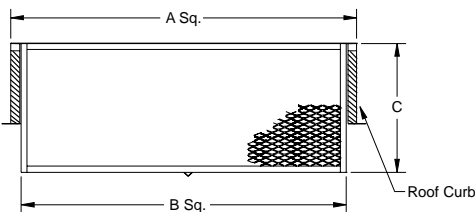
Inlet Basket Guard (LTU, LXU, LEU)

Inlet Guard (TUD, TUB, AUD, AUB, EUB)



Unit	A	B
24	35-5/8	29
30	41-5/8	35
36	47-5/8	41
42	53-5/8	47
48	59-5/8	53
54	65-5/8	59
60	71-5/8	65
72	83-5/8	77

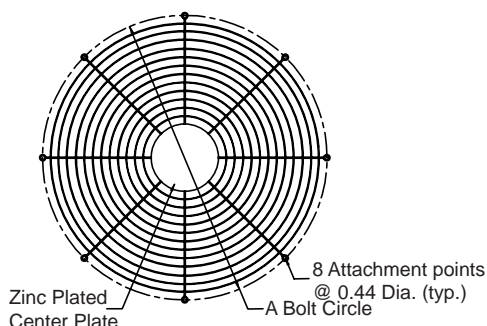
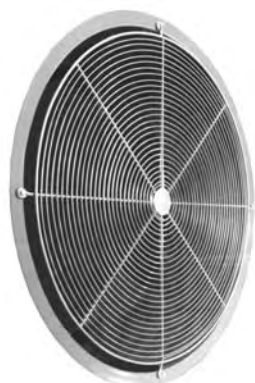
All dimensions in inches.



Unit	A	B	C
20	29-3/16	24-3/16	20-5/32
24	35-3/16	30-3/16	20-5/32
30	41-3/16	36-3/16	20-5/32
36	47-3/16	42-3/16	20-5/32
42	53-3/16	48-3/16	25-5/32
48	59-3/16	54-3/16	27-5/32
54	65-3/16	60-3/16	27-5/32
60	71-3/16	66-3/16	27-5/32

All dimensions in inches.

Discharge Guard



Unit	A	Finish
20	28-1/2	Zinc Plate
24	32-1/2	Zinc Plate
30	38-1/2	Zinc Plate
36	44-1/2	Zinc Plate
42	50-1/2	Zinc Plate
48	56-1/2	Zinc Plate
54	63	Zinc Plate
60	69	Zinc Plate
72	81	Zinc Plate

All dimensions in inches.

Additional Accessories

- Anti Condensate Coating
- (Non UL) Fuse Link Damper 165°F (TUB only)
- Shaft Cooler (TUB only)
- Aluminum Damper Door (TUB only)
- Galvanized Damper Door
- Vented Bearing Cover (TUB only)

Drip Pans

Drip pans are available for field installation below the fan to collect moisture that may develop due to condensation or that may enter the fan while operating during periods of severe weather.

Drip pans are 4" larger than the recommended roof opening and have a 1" lip to contain the collected moisture until it evaporates.

High Temperature Accessories - TUB

Continuous Operation at 200° to 500° F

Shaft Cooler
High-temp Coating
Vented Bearing Cover
High-temp Bearings (Above 300° F)

Non-UL Smoke Control

(4 hours at 500° F or 15 minutes at 1000° F)

Shaft Cooler
Fuse Link Damper (non-UL)
Vented Bearing Cover

Minimum CFM to Open Dampers

Unit	Damper Material	
	Aluminum	Steel
20	3290	4350
24	3950	5220
30	6050	7130
36	7620	11000
42	11050	13550
48	12820	16420
54	16500	18650
60	19120	22740
72	27150	32500

Standard Coatings

Lorenized® is an electrostatically applied, baked polyester powder coating. Each component shall be subject to a five stage environmentally friendly wash system, followed by a minimum 2 mil thick baked powder finish. Coating must exceed 1,000 hour salt spray under ASTM B117 test method.

Optional Coatings

Cook Epoxy Powder is an electrostatically applied, baked epoxy powder coating. Final coating thickness is 2.5 – 3.5 mils. For outdoor applications an optional UV resistant topcoat is recommended to prevent cosmetic chalking of the coating.

Cook High Temp Easy Clean Powder is an electrostatically applied, baked modified epoxy silicone powder producing a high temperature (500°F Max) "non-stick" coating. Final coating thickness is 1.3 - 1.7 mils.

Cook Phenolic Epoxy Powder is an electrostatically applied, baked phenolic epoxy powder coating. Final coating thickness is 2 – 4 mils. For outdoor applications an optional UV resistant topcoat is required to prevent deterioration of the coating.

Air Dry Phenolic (Heresite VR-504) is a conventional spray applied phenolic resin coating. Final coating thickness is 4 – 6 mils. For outdoor applications an optional UV resistant topcoat (Heresite UC-5500) is required to prevent deterioration of the coating.

Refer to the corrosion resistance guide in the Compute-A-Fan software for a listing of the coatings above and their resistance to a variety of chemicals. Additional special coatings are available.



LOREN COOK COMPANY

2015 E. DALE STREET
SPRINGFIELD, MO 65803-4637

417.869.6474

FAX 417.862.3820

lorencook.com