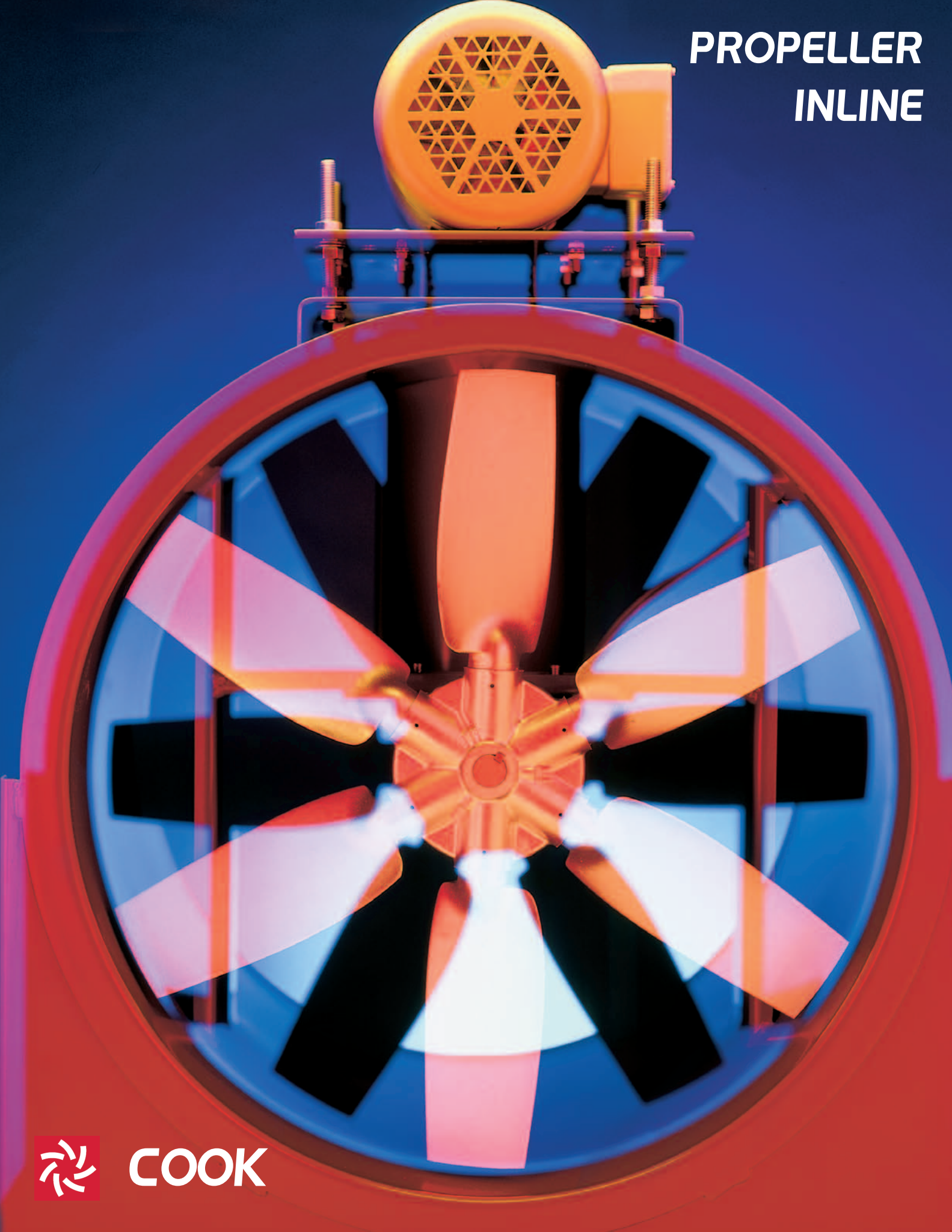
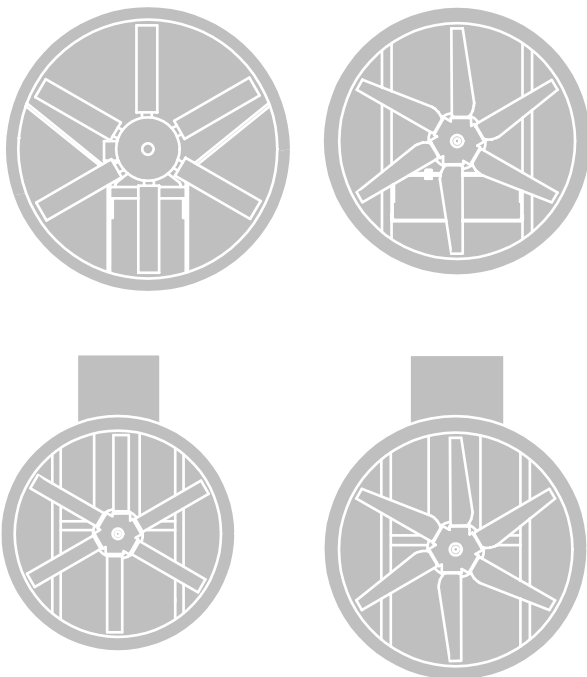


**PROPELLER  
INLINE**



# Propeller Inline

## Tube Axial Fans



---

<b>Page</b>	
Introduction	2
Standard Construction Features	3-4
TIB Application Information	5
<b>Specifications and Dimension Data</b>	
TID (Direct Drive)	6
TIB (Belt Drive)	7
ADD (Direct Drive)	8
ADB (Belt Drive)	9
EDD (Direct Drive)	10
EDB (Belt Drive)	11
Installation/Mounting	12
Accessories	13
<b>Performance Data</b>	
20-60 TID	14
20-60 TIB	15-17
12-24 ADD	18
16-48 ADB	18-19
24-48 EDD	20-24
24-60 EDB	25-28

# INTRODUCTION

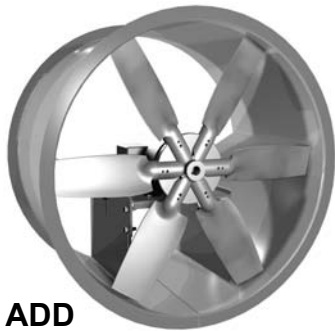
Loren Cook Propeller Inline Fans, TID, TIB, ADD, ADB, EDD, and EDB are designed to be easily mounted in any orientation in either ducted or non-ducted systems. All units include integral inlet and outlet flanges for direct in-line mounting. The units are produced in an ISO 9001 certified facility and are listed by Underwriters Laboratories (UL 705) and UL Listed for Canada (cUL 705).



TID



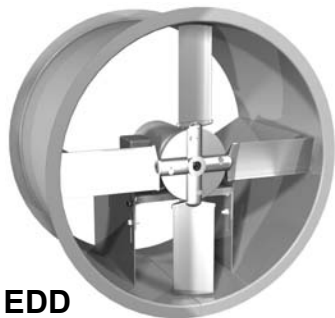
TIB



ADD



ADB



EDD



EDB

- TIB & TID utilize the **COOK Triton** steel propeller.
- TID is a direct drive unit available in 8 sizes from 20 to 60 inches. Performance ranges from 2,700 to 64,000 CFM, with static pressures from 0 to 1 inch.
- TIB is a belt drive unit available in 9 sizes from 20 to 72 inches. Performance ranges from 2,800 to 98,000 CFM, with static pressures from 0 to 1.25 inches.
- TIB is available with UL/cUL listing for “Power Ventilator for Smoke Control Systems”.
  
- ADD and ADB utilize the **COOK “A Series”** cast aluminum airfoil propeller.
- ADD is a direct drive unit available in 4 sizes from 12 to 24 inches. Performance ranges from 300 to 8,000 CFM, with static pressures from 0 to 1/2 inches.
- ADB is a belt drive unit available in 7 sizes from 16 to 48 inches. Performance ranges from 1,600 to 38,000 CFM, with static pressures from 0 to 1/2 inches.
  
- EDD and EDB utilize the **COOK “E series”** extruded aluminum airfoil propeller.
- EDB is licensed to bear the AMCA Certified Ratings Seal for Air Performance.
- EDD is a direct drive unit available in 5 sizes from 24 to 48 inches. Performance ranges from 1,800 to 44,000 CFM, with static pressures from 0 to 1 inches.
- EDB is a belt drive unit available in 7 sizes from 24 to 60 inches. Performance ranges from 3,400 to 73,000 CFM, with static pressures from 0 to 1 inches.



## **“Triton Series” – Steel Propeller**

- Designed using Computational Fluid Dynamics (CFD) and Finite Element Analysis (FEA) to provide optimum air flow, efficiency, quality and durability.
- Constructed of heavy gauge steel components in a fully welded assembly.
- Designed for large volumes of air at medium pressure levels.
- Statically and dynamically balanced for vibration free operation.



## **“A Series” – Cast Aluminum Airfoil Propeller**

- Designed for heavy commercial or industrial applications where large volumes of air are required at low static pressures.
- Constructed of heavy gauge aluminum with 6 cast blades and a cast hub.
- Blade pitch is determined at the factory and the blades are locked into place with roll pins.
- Statically and dynamically balanced for vibration free operation.



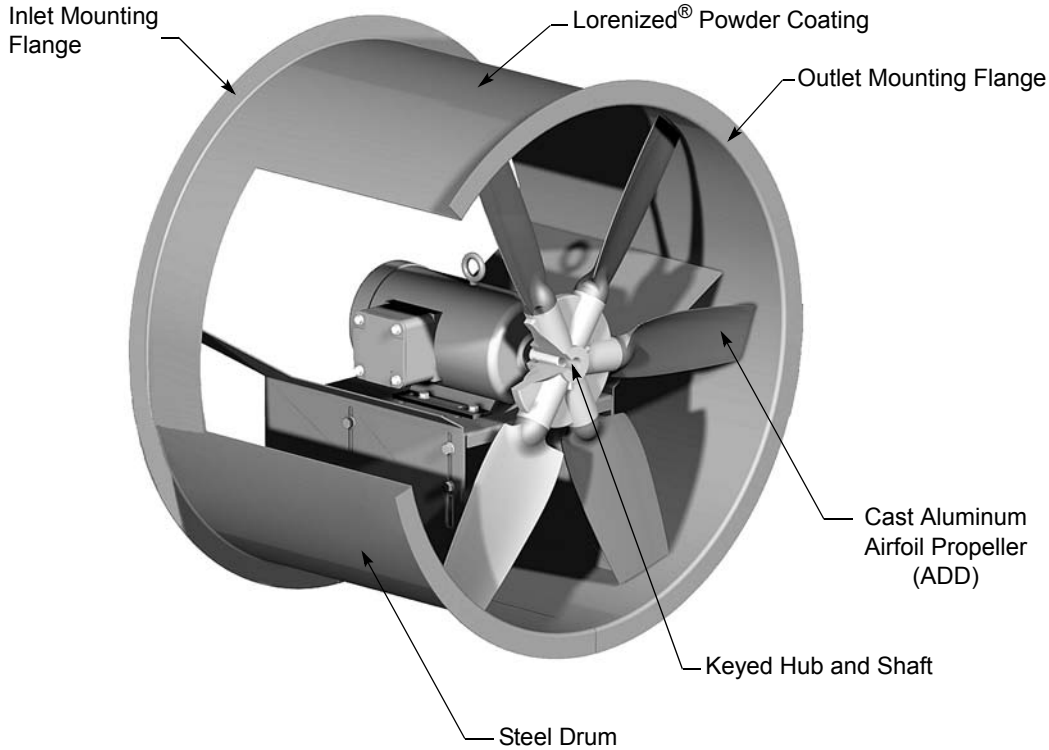
## **“E Series” – Extruded Aluminum Airfoil Propeller**

- Designed for use where higher static pressures are required.
- Constructed with 4 or 6 extruded aluminum airfoil blades and mounted in a cast aluminum hub.
- Blade pitch is determined at the factory and the blades are locked into place with roll pins.
- “E Series” airfoil blade has a non-overloading characteristic such as is found in a centrifugal type wheel.
- Statically and dynamically balanced for vibration free operation.

# STANDARD CONSTRUCTION FEATURES

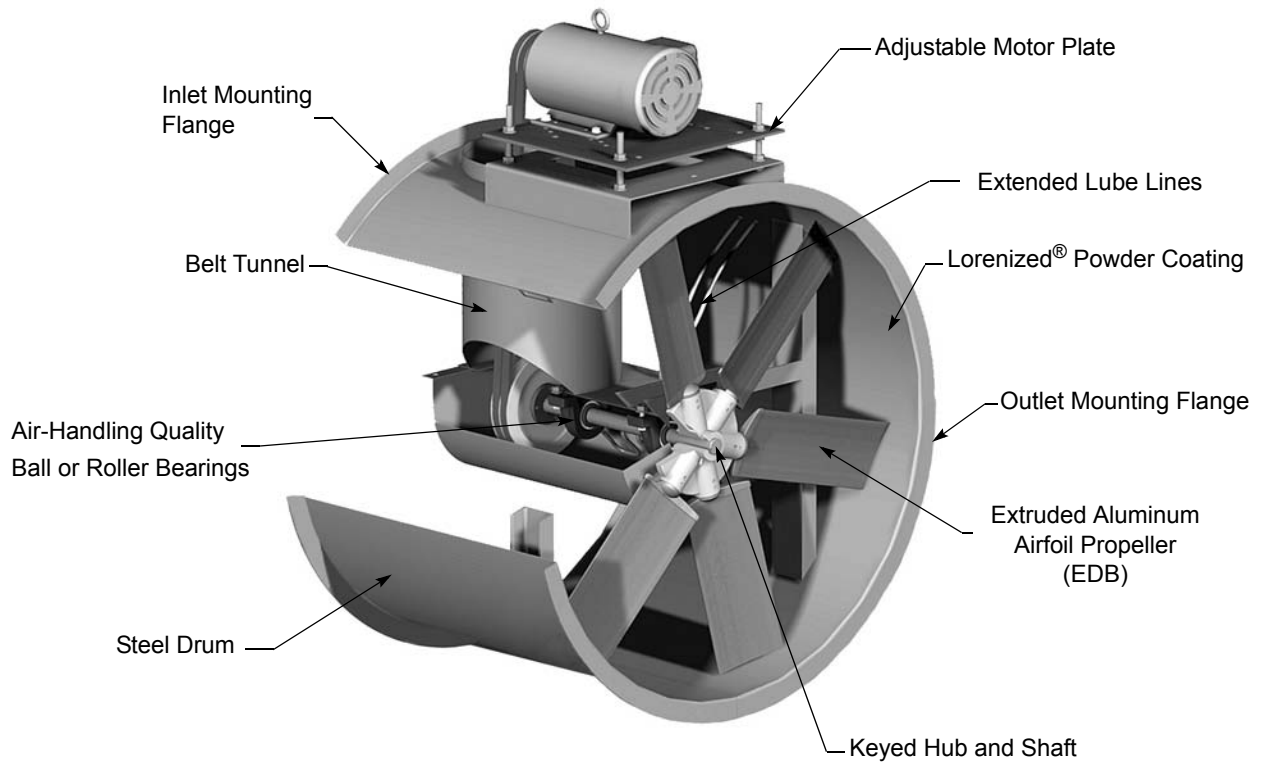
## Direct Drive

ADD, EDD, TID  
(ADD Shown)



## Belt Drive

ADB, EDB, TIB  
(EDB Shown)

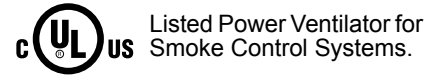


The UL listing “Power Ventilator for Smoke Control Systems” is a test procedure and category which was initiated by Loren Cook Company and developed in a joint effort with UL in 1990. Several different sources were used in the definition of the test procedure. These sources include UL Standards 705, 762, 793, Southern Building Code Congress International (SBCCI) Standard Fire Prevention Code/1988, and Industrial Risk Insurers (IRI) Document E2.

### Requirements for UL listing “Power Ventilator for Smoke Control Systems”

- The unit must withstand 500°F airstream temperature for a minimum of four hours (IRI) and withstand 1000°F for a minimum of 15 minutes (SBCCI).
- The unit must be listed under UL 705.

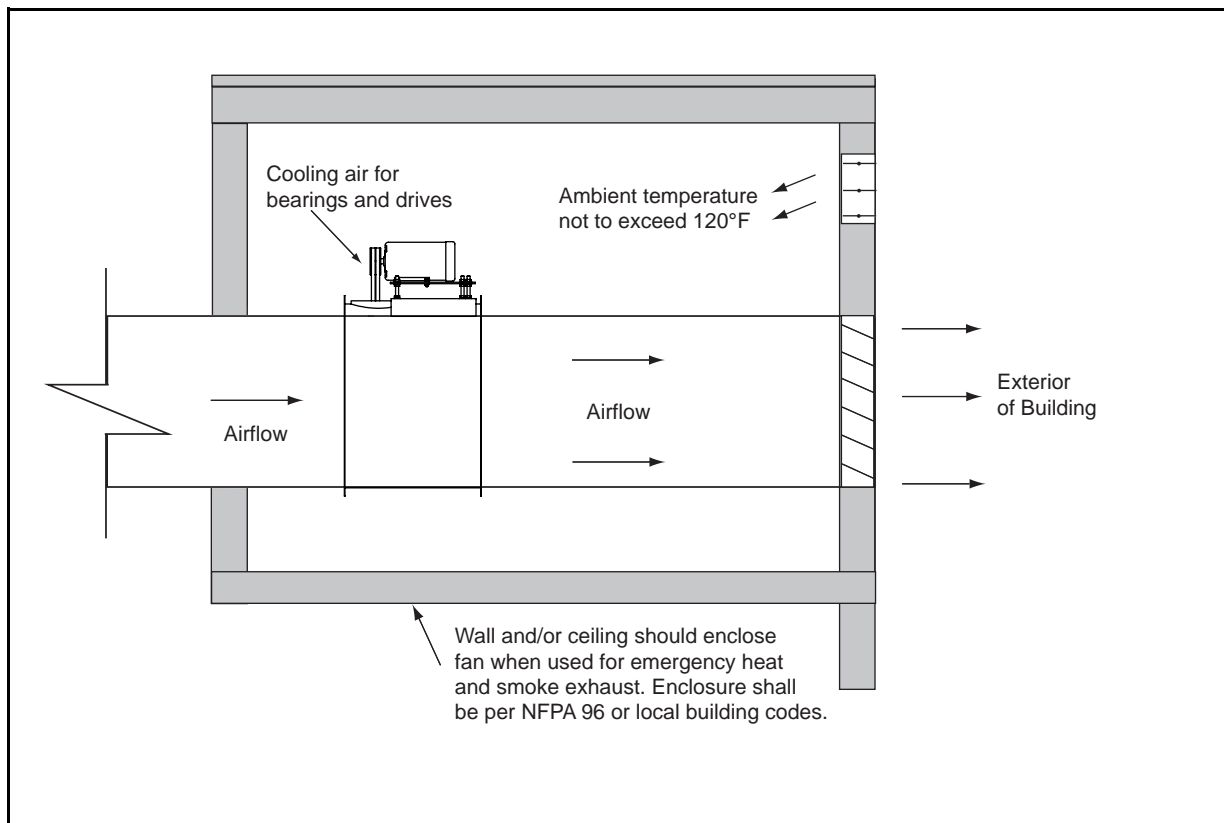
## TIB Smoke Control Ventilator



- High Temperature Upblast Propeller Roof Fan listed by UL as “Power Ventilator for Smoke Control Systems” at 500° F for 4 hours, and at 1,000° F for 15 minutes.
- TIB available in 9 belt drive sizes from 20 to 72 inches. Performance ranges from 2,800 to 98,000 CFM, with static pressures from 0 to 1 inches.


See page 13 for listing of required accessories

### UL Power Ventilator for Smoke Control Typical Application



## Tube Axial Fan High Pressure Triton Steel Propeller Direct Drive



 Type TID is furnished standard with UL 705 & cUL 705 listing (Power Ventilator/ZACT).

**Description** - Fan shall be a tube axial, direct drive, steel propeller fan.

**Certifications** - Fan shall be manufactured at an ISO 9001 certified facility. Fan shall be listed by Underwriters Laboratories (UL 705) and UL listed for Canada (cUL 705).

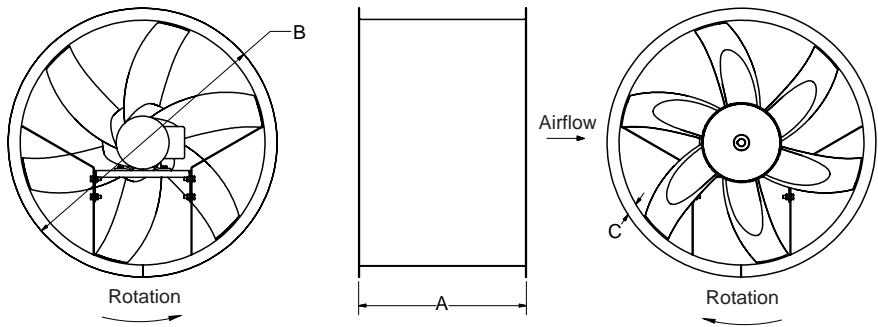
**Construction** - Fan shall be of welded and bolted construction utilizing corrosion resistant fasteners. The steel drum shall be constructed of minimum 14 gauge steel with integral flanges on both inlet and outlet. Unit shall bear an engraved aluminum nameplate and shall be shipped in ISTA Certified Transit Tested Packaging.

**Coating** - All steel fan components shall be Lorenized® with an electrostatically applied, baked polyester powder coating. Each component shall be subject to a five stage environmentally friendly wash system, followed by a minimum 2 mil thick baked powder finish. Paint must exceed 1,000 hours salt spray under ASTM B117 test method.

**Propeller** - Propeller shall be a high efficiency fabricated steel design with blades securely fastened to a minimum 7 gauge hub. The hub shall be keyed and locked to the shaft utilizing two set screws or a taper lock bushing. Propeller shall be balanced in accordance with AMCA Standard 204-96, Balance Quality and Vibration Levels for Fans.

**Motor** - Motor shall be heavy duty type with permanently lubricated sealed bearings and furnished at the specified voltage, phase and enclosure.

**Product** - Fan shall be type TID as manufactured by Loren Cook Company of Springfield, Missouri.



### TID Dimension Data

Size	A	B	C	Drum Gauge	Ship Wt.
20	19	23-1/2	1-1/2	14 ga.	90
24	19	27-1/2	1-1/2	12 ga.	115
30	25	33-1/2	1-1/2	12 ga.	165
36	25	39-1/2	1-1/2	12 ga.	190
42	30	45-3/4	1-5/8	10 ga.	310
48	31	52-3/4	2-1/8	10 ga.	395
54	41	58-3/4	2-1/8	10 ga.	500
60	42	64-3/4	2-1/8	10 ga.	630

All dimensions in inches. Weight in pounds, including standard ODP motor.

## Tube Axial Fan High Pressure Triton Steel Propeller Belt Drive



**Description** - Fan shall be a tube axial, belt driven, steel propeller fan.

**Certifications** - Fan shall be manufactured at an ISO 9001 certified facility. Fan shall be listed by Underwriters Laboratories (UL 705) and UL listed for Canada (cUL 705). For smoke control applications, fan shall be listed by Underwriters Laboratories (Power Ventilator for Smoke Control Systems) for US and Canada. Fan shall bear the AMCA Certified Ratings Seal for Air Performance.

**Construction** - Fan shall be of welded and bolted construction utilizing corrosion resistant fasteners. The steel drum shall be constructed of minimum 14 gauge steel with integral flanges on both inlet and outlet. External lubrication lines shall be furnished for lubrication of fan bearings. Adjustable motor plate shall use threaded studs for positive belt tensioning and alignment. Unit shall bear an engraved aluminum nameplate and shall be shipped in ISTA Certified Transit Tested Packaging.

**Coating** - All steel fan components shall be Lorenized® with an electrostatically applied, baked polyester powder coating. Each component shall be subject to a five stage environmentally friendly wash system, followed by a minimum 2 mil thick baked powder finish. Paint must exceed 1,000 hour salt spray under ASTM B117 test method.

**Propeller** - Propeller shall be a high efficiency fabricated steel design with blades securely fastened to a minimum 7 gauge hub. The hub shall be keyed and locked to the shaft utilizing two set screws or a taper lock bushing. Propeller shall be balanced in accordance with AMCA Standard 204-96, Balance Quality and Vibration Levels for Fans.

**Motor** - Motor shall be heavy duty type with permanently lubricated sealed bearings and furnished at the specified voltage, phase and enclosure.

**Bearings** - Bearings shall be designed and individually tested specifically for use in air handling applications. Construction shall be heavy duty regreasable ball type in a cast iron housing selected for a minimum L50 life in excess of 200,000 hours at maximum cataloged operating speed.

**Belts and Drives**- Belts shall be oil and heat resistant, non-static type. Drives shall be precision machined cast iron type, keyed and securely attached to the wheel and motor shafts. Drives shall be sized for 150 percent of the installed motor horsepower. The variable pitch motor drive must be factory set to the specified fan RPM.

**Product** - Fan shall be type TIB as manufactured by Loren Cook Company of Springfield, Missouri.



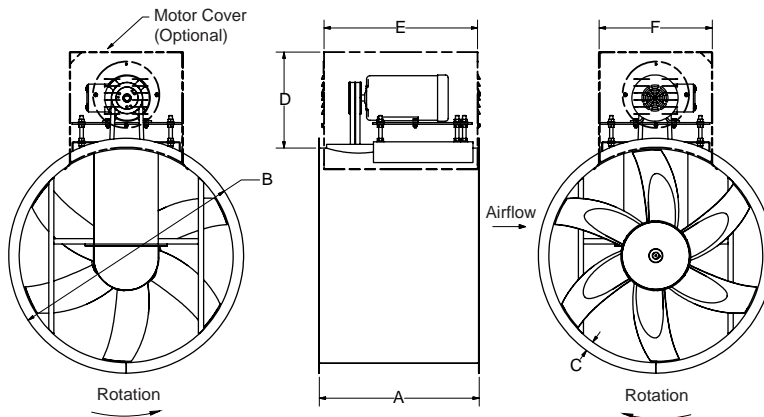
Loren Cook Company certifies that the TIB shown herein is licensed to bear the AMCA Seal. The ratings shown are based on tests and procedures performed in accordance with AMCA Publication 211 and comply with the requirements of the AMCA Certified Ratings Program. TIB performance ratings shown on pages 14-16.



Type TIB is furnished standard with UL 705 & cUL 705 listing (Power Ventilator/ZACT) when furnished with factory supplied motor.



Type TIB is available with UL listing for "Power Ventilator for Smoke Control Systems."



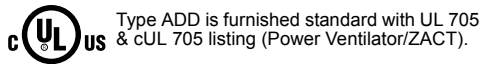
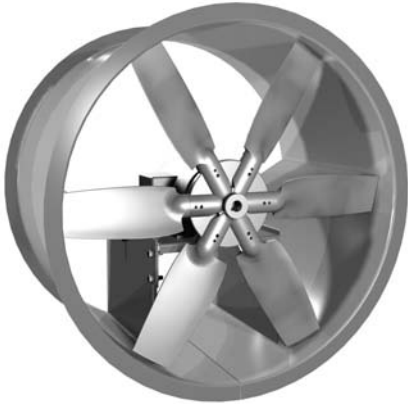
### TIB Dimension Data

Size	A	B	C	D	E	F	Drum Gauge	Ship Wt.
20	20	19-1/2	1-1/2	11-3/8	15	12-7/16	14 ga.	90
24	21	27-1/2	1-1/2	14-1/8	20	16-1/8	12 ga.	147
30	25	33-1/2	1-1/2	19-1/8	22	18-1/8	12 ga.	224
36	30	39-1/2	1-1/2	18-3/4	25	21-1/8	12 ga.	315
42	31	45-3/4	1-5/8	19-3/8	29	21-1/8	10 ga.	390
48	33	52-3/4	2-1/8	19-3/4	31	21-1/8	10 ga.	470
54	38	58-3/4	2-1/8	24-1/4	35	24-1/8	10 ga.	585
60	41	64-3/4	2-1/8	24-1/4	35	24-1/8	10 ga.	705
72	48	76-3/4	2-1/8	27	35	24-1/8	10 ga.	905

All dimensions in inches. Weight in pounds, less motor.



## Tube Axial Fan Cast Aluminum Propeller Direct Drive



**Description** - Fan shall be a tube axial, direct drive, cast aluminum airfoil propeller fan.

**Certifications** - Fan shall be manufactured at an ISO 9001 certified facility. Fan shall be listed by Underwriters Laboratories (UL 705) and UL listed for Canada (cUL 705).

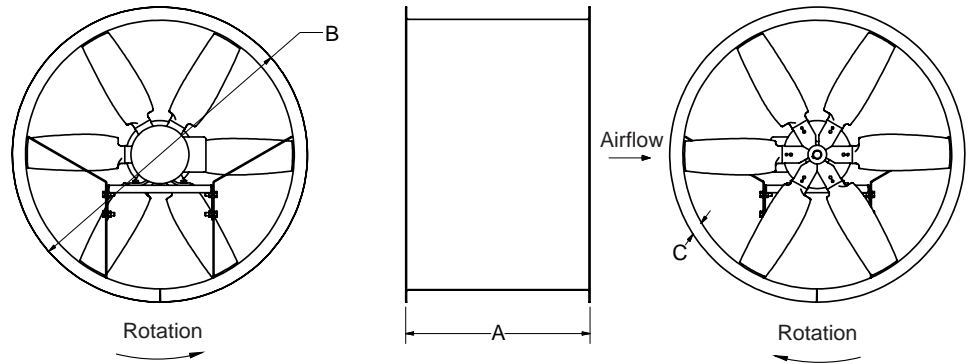
**Construction** - Fan shall be of welded and bolted construction utilizing corrosion resistant fasteners. The steel drum shall be constructed of minimum 14 gauge steel with integral flanges on both inlet and outlet. Unit shall bear an engraved aluminum nameplate and shall be shipped in ISTA Certified Transit Tested Packaging.

**Coating** - All steel fan components shall be Lorenized® with an electrostatically applied, baked polyester powder coating. Each component shall be subject to a five stage environmentally friendly wash system, followed by a minimum 2 mil thick baked powder finish. Paint must exceed 1,000 hour salt spray under ASTM B117 test method.

**Propeller** - Propeller shall be cast aluminum airfoil design with cast aluminum hub. The blade pitch shall be factory set and locked using set screws and roll pin. The hub shall be keyed and locked to the shaft utilizing two set screws or a taper lock bushing. Propeller shall be balanced in accordance with AMCA Standard 204-96, Balance Quality and Vibration Levels for Fans.

**Motor** - Motor shall be heavy duty type with permanently lubricated sealed ball bearings and furnished at the specified voltage, phase and enclosure.

**Product** - Fan shall be type ADD as manufactured by Loren Cook Company of Springfield, Missouri.



### ADD Dimension Data

Size	A	B	C	Drum Gauge	Ship Wt.
12	16	15-1/2	1-1/2	14 ga.	76
16	16	19-1/2	1-1/2	14 ga.	90
20	19	23-1/2	1-1/2	14 ga.	120
24	19	27-1/2	1-1/2	12 ga.	173

All dimensions in inches. Weight in pounds, including standard ODP motor.

## Tube Axial Fan Cast Aluminum Propeller Belt Drive



**Description** - Fan shall be a tube axial, belt driven, cast aluminum airfoil blade propeller fan.

**Certifications** - Fan shall be manufactured at an ISO 9001 certified facility. Fan shall be listed by Underwriters Laboratories (UL 705) and UL listed for Canada (cUL 705).

**Construction** - Fan shall be of welded and bolted construction utilizing corrosion resistant fasteners. The steel drum shall be constructed of minimum 14 gauge steel with integral flanges on both inlet and outlet. External lubrication lines shall be furnished for lubrication of fan bearings. Adjustable motor plate shall use threaded studs for positive belt tensioning and alignment. Unit shall bear an engraved aluminum nameplate and shall be shipped in ISTA Certified Transit Tested Packaging.

**Coating** - All steel fan components shall be Lorenized® with an electrostatically applied, baked polyester powder coating. Each component shall be subject to a five stage environmentally friendly wash system, followed by a minimum 2 mil thick baked powder finish. Paint must exceed 1,000 hour salt spray under ASTM B117 test method.

**Propeller** - Propeller shall be cast aluminum airfoil design with cast aluminum hub. The blade pitch shall be factory set and locked using set screws and roll pin. The hub shall be keyed and locked to the shaft utilizing two set screws or a taper lock bushing. Propeller shall be balanced in accordance with AMCA Standard 204-96, Balance Quality and Vibration Levels for Fans.

**Motor** - Motor shall be heavy duty type with permanently lubricated sealed bearings and furnished at the specified voltage, phase and enclosure.

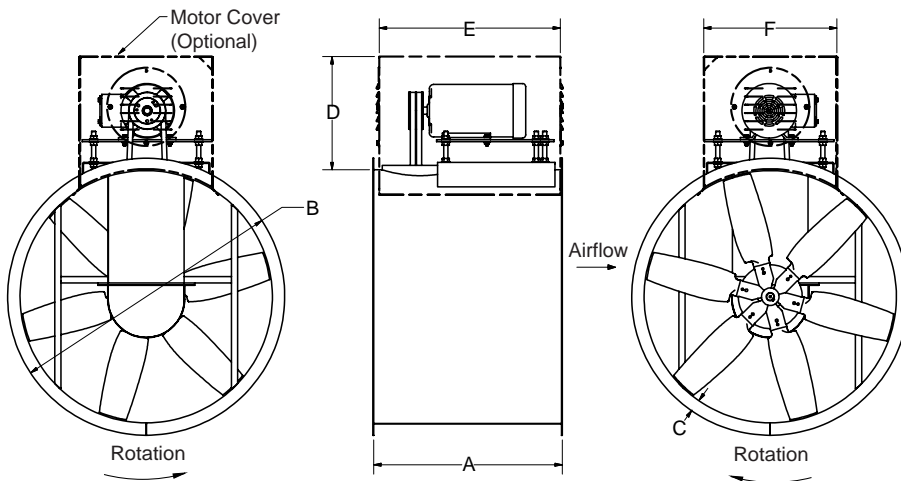
**Bearings** - Bearings shall be designed and individually tested specifically for use in air handling applications. Construction shall be heavy duty regreasable ball type in a cast iron housing selected for a minimum L50 life in excess of 200,000 hours at maximum cataloged operating speed.



Type ADB is furnished standard with UL 705 & cUL 705 listing (Power Ventilator/ZACT) when furnished with factory supplied motor.

**Belts and Drives**- Belts shall be oil and heat resistant, non-static type. Drives shall be precision machined cast iron type, keyed and securely attached to the wheel and motor shafts. Drives shall be sized for 150 percent of the installed motor horsepower. The variable pitch motor drive must be factory set to the specified fan RPM.

**Product** - Fan shall be type ADB as manufactured by Loren Cook Company of Springfield, Missouri.

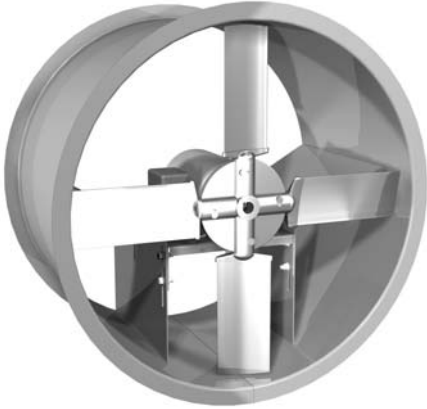



### ADB Dimension Data

Size	A	B	C	D	E	F	Drum Gauge	Ship Wt.
16	16	19-1/2	1-1/2	11-3/8	15	12-7/16	14 ga.	90
20	20	23-1/2	1-1/2	13-3/8	17	14-1/8	14 ga.	110
24	21	27-1/2	1-1/2	14-1/8	20	16-1/8	12 ga.	147
30	25	33-1/2	1-1/2	19-1/8	22	18-1/8	12 ga.	224
36	30	39-1/2	1-1/2	18-3/4	25	21-1/8	12 ga.	315
42	31	45-3/4	1-5/8	19-3/8	29	21-1/8	10 ga.	390
48	33	52-3/4	2-1/8	19-3/4	31	21-1/8	10 ga.	470

All dimensions in inches. Weight in pounds, less motor.

## Tube Axial Fan Extruded Aluminum Propeller Direct Drive



 Type EDD is furnished standard with UL 705 & cUL 705 listing (Power Ventilator/ZACT).

**Description** - Fan shall be a tube axial, direct drive, extruded aluminum blade airfoil propeller fan.

**Certifications** - Fan shall be manufactured at an ISO 9001 certified facility. Fan shall be listed by Underwriters Laboratories (UL 705) and UL listed for Canada (cUL 705).

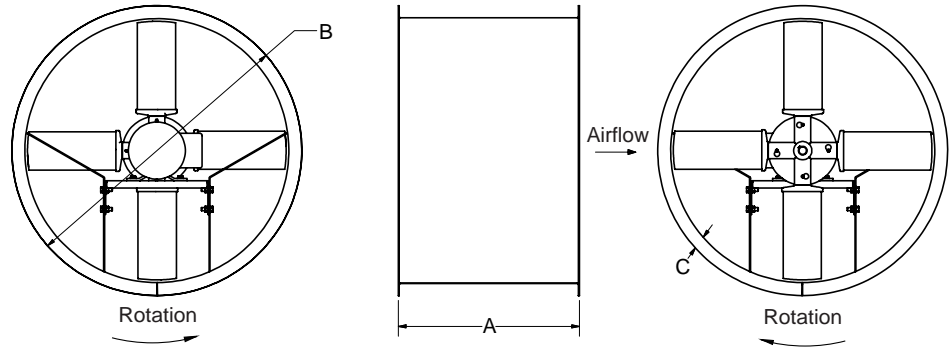
**Construction** - Fan shall be of welded and bolted construction utilizing corrosion resistant fasteners. The steel drum shall be constructed of minimum 12 gauge steel with integral flanges on both inlet and outlet. Unit shall bear an engraved aluminum nameplate and shall be shipped in ISTA Certified Transit Tested Packaging.

**Coating** - All steel fan components shall be Lorenized® with an electrostatically applied, baked polyester powder coating. Each component shall be subject to a five stage environmentally friendly wash system, followed by a minimum 2 mil thick baked powder finish. Paint must exceed 1,000 hours salt spray under ASTM B117 test method.

**Propeller** - Propeller shall be extruded aluminum airfoil design with cast aluminum hub. The blade pitch shall be factory set and locked using set screws and roll pin. The hub shall be keyed and locked to the shaft utilizing two set screws or a taper lock bushing. Propeller shall be balanced in accordance with AMCA Standard 204-96, Balance Quality and Vibration Levels for Fans.

**Motor** - Motor shall be heavy duty type with permanently lubricated sealed bearings and furnished at the specified voltage, phase and enclosure.

**Product** - Fan shall be type EDD as manufactured by Loren Cook Company of Springfield, Missouri.



### EDD Dimension Data

Size	A	B	C	Drum Gauge	Ship Wt.
24	19	27-1/2	1-1/2	12 ga.	115
30	25	33-1/2	1-1/2	12 ga.	165
36	25	39-1/2	1-1/2	12 ga.	190
42	30	45-3/4	1-5/8	10 ga.	310
48	31	52-3/4	2-1/8	10 ga.	395

All dimensions in inches. Weight in pounds, including standard ODP motor.

**Tube Axial Fan  
Extruded Aluminum Propeller  
Belt Drive**

**Description** - Fan shall be a tube axial, belt driven, extruded aluminum airfoil blade propeller fan.

**Certifications** - Fan shall be manufactured at an ISO 9001 certified facility. Fan shall be listed by Underwriters Laboratories (UL 705) and UL listed for Canada (cUL 705). Fan shall bear the AMCA Certified Ratings Seal for Air Performance.

**Construction** - Fan shall be of welded and bolted construction utilizing corrosion resistant fasteners. The steel drum shall be constructed of minimum 12 gauge steel with integral flanges on both inlet and outlet. External lubrication lines shall be furnished for lubrication of fan bearings. Adjustable motor plate shall use threaded studs for positive belt tensioning and alignment. Unit shall bear an engraved aluminum nameplate and shall be shipped in ISTA Certified Transit Tested Packaging.

**Coating** - All steel fan components shall be Lorenized® with an electrostatically applied, baked polyester powder coating. Each component shall be subject to a five stage environmentally friendly wash system, followed by a minimum 2 mil thick baked powder finish. Paint must exceed 1,000 hour salt spray under ASTM B117 test method.

**Propeller** - Propeller shall be extruded aluminum airfoil design with cast aluminum hub. The blade pitch shall be factory set and locked using set screws and roll pin. The hub shall be keyed and locked to the shaft utilizing two set screws or a taper lock bushing. Propeller shall be balanced in accordance with AMCA Standard 204-96, Balance Quality and Vibration Levels for Fans.

**Motor** - Motor shall be heavy duty type with permanently lubricated sealed bearings and furnished at the specified voltage, phase and enclosure.

**Bearings** - Bearings shall be designed and individually tested specifically for use in air handling applications. Construction shall be heavy duty regreasable ball type in a cast iron housing selected for a minimum L50 life in excess of 200,000 hours at maximum cataloged operating speed.

**Belts and Drives**- Belts shall be oil and heat resistant, non-static type. Drives shall be precision machined cast iron type, keyed and securely attached to the wheel and motor shafts. Drives shall be sized for 150 percent of the installed motor horsepower. The variable pitch motor drive must be factory set to the specified fan RPM.

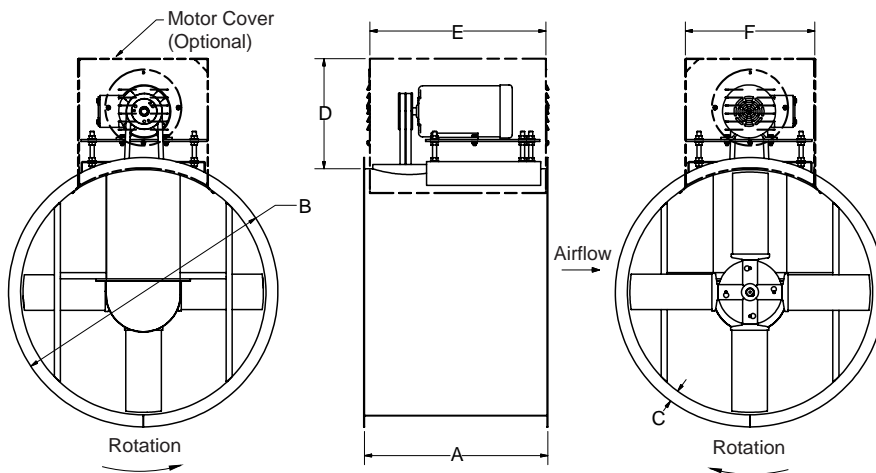
**Product** - Fan shall be type EDB as manufactured by Loren Cook Company of Springfield, Missouri.



Loren Cook Company certifies that the EDB shown herein is licensed to bear the AMCA Seal. The ratings shown are based on tests and procedures performed in accordance with AMCA Publication 211 and comply with the requirements of the AMCA Certified Ratings Program. EDB performance ratings shown on pages 17-20.



Type EDB is furnished standard with UL 705 & cUL 705 listing (Power Ventilator/ZACT) when furnished with factory supplied motor.



**EDB Dimension Data**

Size	A	B	C	D	E	F	G	H	J	Drum Gauge	Ship Wt.
24	21	27-1/2	1-1/2	14-1/8	20	16-1/8	5-1/4	16-5/16	9-3/4	12 ga.	147
30	25	33-1/2	1-1/2	19-1/8	22	18-1/8	5-1/4	16-5/16	9-3/4	12 ga.	224
36	30	39-1/2	1-1/2	18-3/4	25	21-1/8	6-3/4	17-13/16	12-3/4	12 ga.	315
42	31	45-3/4	1-5/8	19-3/8	29	21-1/8	6-3/4	17-13/16	12-3/4	10 ga.	390
48	33	52-3/4	2-1/8	19-3/4	31	21-1/8	6-3/4	17-13/16	12-3/4	10 ga.	470
54	41	58-3/4	2-1/8	24-1/4	35	24-1/8	10	19-9/16	17	10 ga.	585
60	48	64-3/4	2-1/8	24-1/4	35	24-1/8	10	19-9/16	17	10 ga.	705

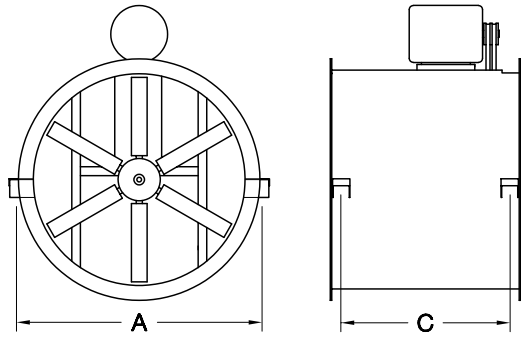
All dimensions in inches. Weight in pounds, less motor.

# INSTALLATION/MOUNTING

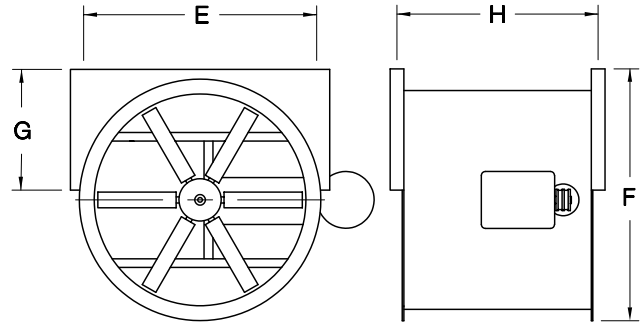
## Optional Mounting Information

### Horizontal Mounting

#### Ceiling

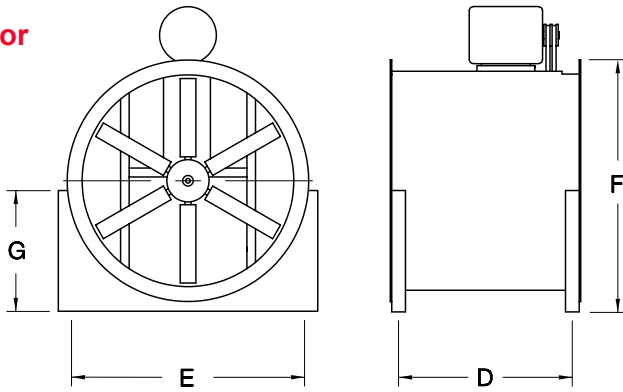


Horizontal hanging brackets motor position at A, B, E & H

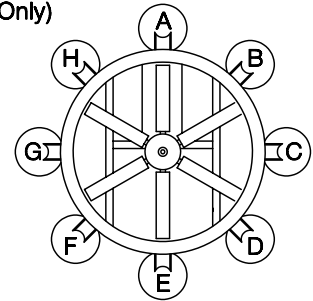
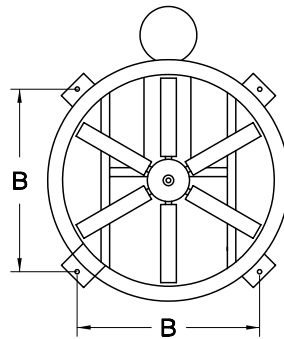


Horizontal hanging brackets motor position at C, D, F & G (Belt Drive Only)

#### Floor



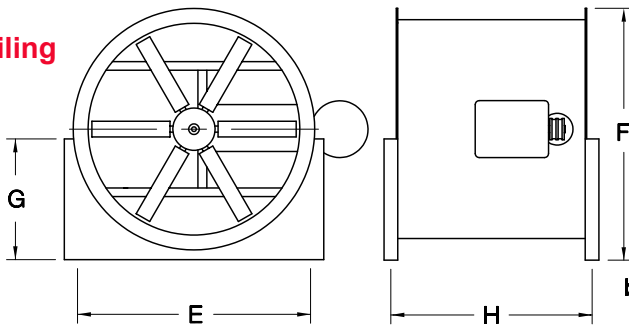
Floor mounting brackets motor position at A, B & H



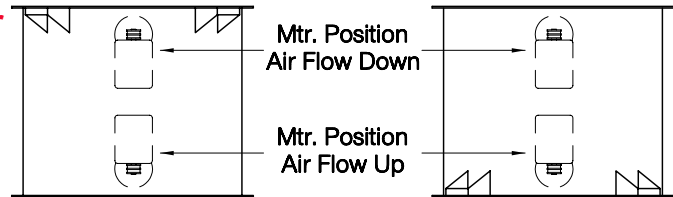
Motor position chart (view facing propeller)

### Vertical Mounting

#### Ceiling



#### Floor



Vertical hanging brackets

Vertical floor brackets

Floor mounting brackets motor position at C & G (Belt Drive Only)

Size	A*	B	C* Belt Drive	C* Direct Drive	D* Belt Drive	D* Direct Drive	E*	F	G	H*
20	23-1/2	18-15/16	16-1/16	15-1/16	19-7/8	17-3/8	21	25-3/4	12-1/4	19-7/8
24	27-1/2	21-3/4	17	15	16-1/4	17-5/16	25	29-3/4	14-1/4	25-3/8
30	33-5/8	26-1/16	21	21	23-1/8	23-5/16	31	35-3/4	17-3/8	26-1/2
36	39-5/8	30-5/16	25-13/16	20-13/16	32-3/16	23-5/16	37	41-3/4	20-3/8	27-7/16
42	45-5/8	34-9/16	27-1/8	26-1/8	27-5/16	27-3/4	43	48-1/2	23-1/2	34-3/16
48	51-5/8	38-13/16	29-1/8	27-1/8	29-5/8	28-3/4	49	55-1/2	27	35-7/8
54	57-5/8	43-1/16	34-1/8	37-1/8	35-5/16	38-1/4	55	62	30	40-3/16
60	64	47-5/16	37-1/8	38-1/8	35-3/4	39-1/4	61	68	33	45-3/4
72	64	55-3/4	44-1/8	-	45-1/4	-	73	80	33	50-1/4

All dimensions in inches. \*A, B, C, D, E and H are to centerline of mounting bracket holes. Motor position designations are applicable to belt drive units only.

## Disconnect Switches

**NEMA 1** - Indoor general purpose.

**NEMA 1 (Lockable)** - Indoor general purpose with locking capability.

**NEMA 3R** - Exterior mount, rain-tight.

**NEMA 4** - Water-tight and dust-tight.



NEMA 1



NEMA 1  
(Lockable)



NEMA 3R



NEMA 4



## Belt Guard

Belt Guards are designed to cover the top, front and sides of the drive assembly. Belt guards are constructed of minimum 18 gauge Lorenized® steel and have an open back to allow for inspection or belt tightening. Belt guards are factory installed.



## Motor Cover

Motor Covers enclose the motor and drive assembly and serves as an OSHA belt guard. The motor cover is constructed of 18 gauge Lorenized® steel. Motor covers are factory installed.



## Inlet/Outlet Guard

Inlet/Outlet Guards are used in non-ducted installations to protect personnel and prevent debris from entering the fan. This guard is constructed of expanded metal and is factory installed.



## Inlet Bell

Inlet Bells are constructed of spun aluminum and are available for installation on site.

## Additional Accessories

- Companion Flanges
- Horizontal Hanging Brackets
- Vertical Hanging Brackets
- Ceiling/Floor Mounting Legs

## Accessory Requirements for UL Listing “Power Ventilator for Smoke Control Systems”

- Vented Bearing Cover
- Shaft Cooler

## Standard Coatings

**Lorenized®** is an electrostatically applied, baked polyester powder coating. Each component shall be subject to a five stage environmentally friendly wash system, followed by a minimum 2 mil thick baked powder finish. Coating must exceed 1,000 hour salt spray under ASTM B117 test method.

## Optional Coatings

**Cook Epoxy Powder** is an electrostatically applied, baked epoxy powder coating. Final coating thickness is 2.5 – 3.5 mils. For outdoor applications an optional UV resistant topcoat is required to prevent deterioration of the coating.

**Cook High Temp Easy Clean Powder** is an electrostatically applied, baked modified epoxy silicone powder producing a high temperature (500°F Max) "non-stick" coating. Final coating thickness is 1.3 - 1.7 mils.

**Cook Phenolic Epoxy Powder** is an electrostatically applied, baked phenolic epoxy powder coating. Final coating thickness is 2 – 4 mils. For outdoor applications an optional UV resistant topcoat is required to prevent deterioration of the coating.

**Air Dry Phenolic (Heresite VR-504)** is a conventional spray applied phenolic resin coating. Final coating thickness is 4 – 6 mils. For outdoor applications an optional UV resistant topcoat (Heresite UC-5500) is required to prevent deterioration of the coating.

Refer to the corrosion resistance guide in the Compute-A-Fan software for a listing of the coatings above and their resistance to a variety of chemicals. Additional special coatings are available.

## TID - Direct Drive

Catalog Number	Motor HP	Max. BHP	Fan RPM	CFM vs. Static Pressure								
				0.000"	0.125"	0.250"	0.375"	0.500"	0.625"	0.750"	0.875"	1.000"
20TID	1/6	.10	860	2700	2125							
	1/4	.24	1140	3580	3231	2614						
	3/4	.82	1725	5417	5200	4965	4677	4274	3674			
24TID	1/4	.28	860	5020	4480							
	3/4	.68	1140	6654	6287	5796	5023					
	3	2.34	1725	10069	9833	9588	9318	8995	8587	8095	7513	
30TID	1/2	.43	680	7948	6857							
	1	.88	860	10051	9214	8257						
	2	2.05	1140	13324	12699	12054	11356	10479				
36TID	1	1.07	680	13677	12402	10851						
	2	2.17	860	17297	16302	15255	14030					
	5	5.07	1140	22928	22182	21423	20640	19811	18883	17666		
42TID	3	2.60	680	22025	20919	19489	17563	15053				
	5	5.31	860	27855	26998	26070	24923	23403	21928	20332		
48TID	5	4.98	680	33190	31785	30232	28270	26000				
	10	10.18	860	41975	40874	39734	38499	37071	35399	33618	31671	
54TID	10	9.04	680	47134	45565	43898	41977	39624	37068	33857		
	20	18.05	860	59611	58376	57115	55796	54361	52739	50895	48911	46874
60TID	15	15.26	680	64523	62785	60980	59014	56730	54050	51226	48043	

Performance shown is for Installation Type B: Free Inlet, Ducted Outlet. Power rating (BHP) does not include drive losses. Performance ratings do not include the effects of appurtenances in the airstream.

TIB - Belt Drive

Catalog Number	Max. BHP	Max. HP	Fan RPM	CFM vs. Static Pressure											
				0.000"	0.125"	0.250"	0.375"	0.500"	0.625"	0.750"	0.875"	1.000"	1.125"	1.250"	
20TIB	.16	1/4	1000	3140	2716										
	.2		1079	3388	3011	2237									
	.25		1158	3636	3295	2712									
	.28	1/3	1199	3765	3439	2922									
	.3		1240	3894	3581	3117									
	.33		1280	4019	3719	3295									
	.38	1/2	1343	4217	3933	3559	2891								
	.44		1406	4415	4145	3809	3256								
	.51		1470	4616	4359	4053	3586								
	.59	3/4	1544	4848	4605	4325	3931	3293							
	.68		1618	5081	4849	4590	4249	3729							
	.77		1691	5310	5089	4848	4543	4109	3382						
	.85	1	1749	5492	5279	5049	4768	4387	3826						
	.94		1807	5674	5468	5248	4988	4646	4158						
	1.04		1865	5856	5657	5446	5202	4892	4466	3840					
	1.19	1-1/2	1957	6145	5956	5757	5534	5263	4912	4430					
1.37	2049		6434	6253	6065	5860	5618	5318	4923	4400					
1.57	2142		6726	6553	6375	6183	5964	5703	5372	4942	4322				
1.74	2	2215	6955	6788	6616	6435	6231	5991	5698	5327	4856				
1.91		2288	7184	7023	6858	6683	6491	6270	6008	5682	5273	4738			
2.1		2361	7414	7257	7097	6930	6749	6544	6305	6016	5659	5221			
24TIB	.33	1/2	900	5253	4753	3772									
	.41		968	5650	5200	4437									
	.5		1035	6041	5629	4992									
	.58	3/4	1087	6345	5956	5400	4402								
	.67		1139	6648	6281	5789	5013								
	.77		1191	6952	6603	6162	5482								
	.85	1	1232	7191	6855	6445	5825								
	.93		1273	7431	7106	6723	6157	5337							
	1.03		1314	7670	7357	6995	6480	5777							
	1.19	1-1/2	1379	8049	7752	7419	6972	6362							
	1.37		1444	8429	8145	7836	7443	6901	6204						
	1.57		1509	8808	8537	8246	7894	7418	6828						
	1.73	2	1560	9106	8845	8566	8240	7809	7267	6547					
	1.91		1611	9404	9151	8884	8578	8189	7687	7091					
	2.1		1663	9707	9462	9206	8919	8563	8104	7568	6769				
	2.42	3	1745	10186	9953	9711	9447	9133	8738	8260	7707				
2.78	1827		10664	10442	10213	9967	9685	9342	8920	8440	7853				
3.17	1908		11137	10924	10706	10475	10220	9915	9545	9111	8630	7988			
30-TIB	.3	1/2	600	7013	5717										
	.39		657	7679	6540										
	.49		714	8345	7316										
	.58	3/4	750	8766	7793	6261									
	.67		786	9186	8263	7055									
	.77		822	9607	8728	7672									
	.85	1	850	9934	9086	8107									
	.93		878	10262	9443	8522									
	1.02		906	10589	9797	8925	7241								
	1.19	1-1/2	951	11115	10362	9551	8416								
	1.37		996	11641	10923	10163	9222								
	1.56		1041	12167	11482	10762	9929	8108							
	1.72	2	1076	12576	11913	11222	10447	9247							
	1.9		1111	12985	12344	11678	10950	9967							
	2.09		1147	13406	12785	12145	11453	10597							
	2.4	3	1203	14060	13469	12862	12219	11479	10338						
2.76	1259		14715	14150	13574	12969	12303	11449							
3.15	1316		15381	14841	14292	13721	13107	12389	11281						
3.79	5	1399	16351	15843	15329	14800	14243	13631	12881	11598					
4.51		1482	17321	16842	16359	15863	15349	14803	14189	13408	11927				
5.31		1565	18291	17838	17381	16916	16435	15936	15398	14783	13979	12349			

Performance shown is for Installation Type B: Free Inlet, Ducted Outlet. Power rating (BHP) does not include drive losses. Performance ratings do not include the effects of appurtenances in the airstream.



TIB - Belt Drive

Catalog Number	Max. BHP	Max. HP	Fan RPM	CFM vs. Static Pressure											
				0.000"	0.125"	0.250"	0.375"	0.500"	0.625"	0.750"	0.875"	1.000"	1.125"	1.250"	
36-TIB	.31	3/4	450	9051	6679										
	.5		528	10619	8899										
	.75		607	12208	10761										
	.84	1	628	12631	11239	9087									
	.94		649	13053	11711	9899									
	1.03		670	13475	12180	10560									
	1.18	1-1/2	703	14139	12909	11476									
	1.35		736	14803	13632	12320									
	1.54		769	15467	14349	13127	11122								
	1.72	2	795	15989	14910	13748	12129								
	1.89		821	16512	15468	14357	12946								
	2.08		848	17055	16046	14980	13706								
	2.4	3	890	17900	16940	15937	14804	12941							
	2.77		932	18745	17829	16879	15841	14461							
	3.15		973	19569	18693	17790	16822	15657							
	3.78	5	1034	20796	19972	19129	18242	17251	15917						
4.48	1095		22023	21246	20454	19630	18745	17701	16058						
5.3	1157		23270	22535	21788	21019	20209	19312	18190	16014					
6.04	7-1/2	1209	24316	23612	22901	22170	21408	20590	19648	18344					
6.86		1261	25362	24687	24007	23310	22591	21831	20994	19976	18400				
7.76		1314	26428	25781	25128	24465	23780	23069	22304	21439	20325	18306			
42TIB	.73	1	450	14576	12536										
	.84		474	15353	13510										
	1.03		497	16098	14408	11763									
	1.18	1-1/2	522	16908	15348	12933									
	1.35		547	17717	16266	13998									
	1.52		571	18495	17127	14996									
	1.7	2	590	19110	17800	15788	13152								
	1.89		609	19726	18465	16586	14421								
	2.07		629	20373	19162	17422	15382								
	2.37	3	660	21377	20233	18691	16726								
	2.75		691	22381	21295	19916	18019	15959							
	3.14		722	23386	22352	21102	19312	17563							
	3.75	5	767	24843	23875	22766	21198	19520	17448						
	4.46		812	26301	25389	24381	23039	21393	19856						
	5.28		858	27791	26931	26000	24845	23319	21844	20229					
	6.06	7-1/2	900	29151	28334	27463	26431	25072	23592	22221	19971				
6.98	942		30511	29732	28910	27977	26780	25346	24017	22620					
7.96	984		31872	31126	30347	29486	28428	27109	25765	24519	22969				
8.77	10	1017	32941	32219	31472	30658	29690	28476	27140	25921	24651				
9.67		1050	34010	33311	32592	31814	30920	29813	28525	27295	26128	24727			
10.61		1084	35111	34435	33740	33000	32171	31158	29950	28707	27576	26391	24626		
48-TIB	1.46	1-1/2	450	21964	19673	16201									
	1.5		454	22159	19897	16514									
	1.55		459	22403	20176	16879									
	1.7	2	475	23184	21060	17998									
	1.86		491	23965	21929	19053									
	2.02		506	24697	22739	20016									
	2.38	3	531	25917	24068	21588	17955								
	2.76		556	27137	25386	23130	20222								
	3.12		581	28358	26691	24630	21991								
	3.75	5	617	30115	28555	26723	24341	21183							
	4.45		653	31872	30407	28748	26606	24152							
	5.25		690	33678	32294	30775	28875	26661	23702						
	6.08	7-1/2	724	35337	34022	32608	30897	28839	26561						
	6.97		758	36997	35743	34410	32862	30970	28919	26193					
	7.93		791	38607	37409	36149	34722	32995	31069	28942					
	8.75	10	818	39925	38767	37557	36220	34617	32782	30849	28214				
9.68	845		41243	40122	38958	37687	36205	34472	32648	30557					
10.59	872		42561	41475	40354	39147	37759	36136	34387	32526	29897				
11.92	15	906	44220	43176	42105	40961	39682	38193	36535	34822	32876				
13.32		940	45880	44874	43846	42759	41573	40200	38650	37023	35309	33168			
14.74		973	47491	46519	45528	44495	43370	42106	40666	39111	37519	35756	33220		

Performance shown is for Installation Type B: Free Inlet, Ducted Outlet. Power rating (BHP) does not include drive losses. Performance ratings do not include the effects of appurtenances in the airstream.

TIB - Belt Drive

Catalog Number	Max. BHP	Max. HP	Fan RPM	CFM vs. Static Pressure											
				0.000"	0.125"	0.250"	0.375"	0.500"	0.625"	0.750"	0.875"	1.000"	1.125"	1.250"	
54TIB	2.12	3	420	29112	26408	22487									
	2.54		449	31122	28640	25184									
	3.14		478	33133	30828	27770	23574								
	3.75	5	508	35212	33066	30367	26915								
	4.39		538	37291	35277	32873	29758								
	5.27		568	39371	37474	35297	32466	29152							
	6.04	7-1/2	596	41312	39509	37503	34936	31999							
	6.99		624	43253	41534	39661	37348	34615	31318						
	7.91		651	45124	43481	41718	39610	37054	34269						
	8.74	10	673	46649	45062	43373	41409	39008	36409	32886					
	9.66		695	48174	46640	45021	43178	40934	38458	35630					
	10.56		717	49699	48213	46658	44918	42824	40455	37924	33520				
	12.24	15	752	52125	50709	49238	47634	45762	43574	41270	38632				
	14.02		787	54551	53199	51806	50316	48617	46626	44457	42191	39323			
	15.88		821	56908	55613	54287	52877	51321	49515	47487	45382	43094	39782		
	17.24	20	843	58433	57172	55884	54526	53048	51350	49419	47384	45265	42716		
18.59	865		59957	58730	57476	56169	54746	53146	51324	49357	47343	45108	41871		
20.16	888		61552	60356	59138	57872	56514	55008	53288	51400	49458	47413	44959		
60TIB	2.84	3	390	37006	33798	29245									
	2.96		396	37575	34430	30002									
	3.06		401	38050	34955	30627									
	3.73	5	426	40422	37546	33692	28116								
	4.44		451	42794	40106	36675	32280								
	5.19		477	45261	42733	39678	35734								
	6.07	7-1/2	500	47443	45044	42251	38610	34074							
	6.93		523	49626	47342	44757	41417	37590							
	7.8		546	51808	49625	47213	44171	40647	35061						
	8.76	10	565	53611	51504	49214	46396	43052	39115						
	9.64		584	55414	53379	51196	48572	45399	41923						
	10.52		602	57122	55151	53051	50593	47593	44355	39633					
	12.19	15	631	59873	57998	56023	53783	51067	48047	44685					
	13.95		660	62625	60834	58964	56903	54446	51623	48659	44825				
	15.85		689	65377	63662	61885	59961	57736	55131	52355	49321				
	17.53	20	712	67559	65900	64192	62366	60294	57861	55204	52443	49035			
19.24	735		69742	68136	66491	64737	62795	60540	58011	55395	52504	47891			
21.24	759		72019	70464	68875	67201	65377	63282	60900	58390	55776	52628			
72TIB	1.8	5	250	40864	33967										
	3.28		301	49200	44078	36320									
	5.04		352	57536	53356	47711									
	6.04	7-1/2	369	60315	56361	51234	44576								
	6.86		386	63094	59339	54668	48684								
	7.72		403	65872	62291	58008	52460								
	8.71	10	417	68161	64712	60695	55461	48933							
	9.61		431	70449	67124	63330	58411	52725							
	10.52		445	72737	69523	65936	61322	56050							
	12.15	15	466	76170	73107	69757	65601	60717	54643						
	13.85		487	79603	76678	73538	69764	65202	60200						
	15.83		509	83199	80407	77440	74008	69809	65252	59415					
	17.48	20	526	85977	83281	80439	77215	73306	68961	64118					
	19.13		543	88756	86145	83415	80382	76737	72585	68184	61791				
	21.23		561	91698	89172	86544	83669	80293	76366	72237	67387				
	22.91	25	576	94150	91691	89144	86389	83205	79477	75499	71175				
24.8	591		96602	94206	91736	89095	86079	82549	78703	74682	69582				
26.61	605		98890	96551	94149	91585	88717	85374	81656	77814	73433				

Performance shown is for Installation Type B: Free Inlet, Ducted Outlet. Power rating (BHP) does not include drive losses. Performance ratings do not include the effects of appurtenances in the airstream.

## ADD - Direct Drive

Catalog Number	Max. BHP	Mtr. HP	Fan RPM	FA Sones	CFM vs. Static Pressure				
					0"	1/8"	1/4"	3/8"	1/2"
12D17	.10	1/6	1725	10.3	1139	961	295		
16D17	.28	1/4	1725	15.9	2282	2055	1703	803	
20D17	.68	1/2	1725	23	4582	4297	3985		
24D11	.37	1/3	1140	15.4	4432	3912	3260	2405	
24D11A	.52	1/2	1140	17.4	5380	4862	4155	2859	
24D11B	.76	3/4	1140	19.1	6124	5487	4757	3025	2378
24D17	1.09	1	1725	31	6707	6358	6018	5665	5244
24D17A	1.66	1-1/2	1725	34	8140	7806	7461	7088	6626

Performance shown is for Installation Type A: free inlet, free outlet. Power rating (BHP) does not include drive losses. Performance ratings do not include the effects of appurtenances in the airstream.

## ADB - Belt Drive

Catalog Number	Max. BHP	Mtr. HP	Fan RPM	FA Sones	CFM vs. Static Pressure				
					0"	1/8"	1/4"	3/8"	1/2"
16AD2B	.15	1/6	1444	17.2	1879	1516			
	.16		1495	18.2	1945	1596			
	.18		1544	19.2	2009	1673			
16AD3B	.21	1/4	1449	17.3	2068	1566	643		
	.25		1501	18.3	2142	1684	707	452	
	.27		1550	19.3	2212	1788	769	514	
16AD4B	.29	1/3	1597	20	2279	1884	831	573	
	.33		1681	22	2399	2043	958	675	
	.37		1707	23	2436	2091	1003	706	489
20AD3B	.22	1/4	1158	18.3	2853	2412	1152		
	.25		1219	19.9	3004	2588	1543		
	.28		1274	21	3139	2744	1899		
20AD4B	.31	1/3	1321	22	3255	2875	2269		
	.33		1343	23	3309	2936	2438		
	.35		1364	23	3361	2995	2540		
20AD5B	.44	1/2	1459	26	3595	3255	2876	1609	
	.50		1536	28	3785	3463	3113	2190	
	.57		1606	30	3957	3651	3320	2642	
24AD4B	.27	1/3	814	14.1	4031	2658	1344		
	.29		843	15	4175	2923	1499		
	.35		857	15.5	4244	3060	1574	915	
	.36		871	15.9	4313	3198	1647	988	
24AD5B	.42	1/2	932	17.8	4615	3739	1974	1301	
	.48		981	19.4	4858	4080	2274	1561	
	.55		996	19.8	4932	4176	2380	1641	1090
	.59		1026	21	5081	4359	2623	1802	1245
24AD6B	.69	3/4	1105	23	5472	4816	3352	2219	1654
	.74		1141	25	5650	5018	3669	2415	1846
	.79		1175	26	5819	5206	3973	2613	2029
24AD7B	.90	1	1237	28	6126	5545	4575	3047	2357
	1.00		1293	30	6403	5847	5089	3543	2654
	1.11		1345	32	6660	6126	5485	4030	2946
24AD8B	1.30	1-1/2	1438	35	7121	6621	6086	4856	3599
	1.39		1481	37	7334	6848	6341	5267	3979
	1.55		1540	40	7626	7158	6682	5844	4533
30AD5B	.46	1/2	692	12	6445	4596	2354		
	.57		711	12.7	6622	4866	2569	1413	
30AD6B	.64	3/4	751	13.9	6994	5464	3103	1839	
	.73		793	15.4	7385	6009	4027	2290	

Performance shown is for Installation Type B: Free Inlet, Ducted Outlet. Power rating (BHP) does not include drive losses. Performance ratings do not include the effects of appurtenances in the airstream.

ADB - Belt Drive

Catalog Number	Max. BHP	Mtr. HP	Fan RPM	FA Sones	CFM vs. Static Pressure				
					0"	1/8"	1/4"	3/8"	1/2"
30AD7B	.88	1	826	16.6	7693	6399	4610	2647	1685
	1.00		873	18.3	8130	6931	5217	3172	2186
	1.07		897	19.1	8354	7195	5500	3467	2443
	1.15		925	20	8615	7500	5830	3891	2745
30AD8B	1.38	1-1/2	999	23	9304	8293	6786	5450	3558
	1.47		1027	24	9564	8589	7208	5862	3893
	1.59		1059	25	9862	8924	7684	6266	4340
30AD9B	1.78	2	1100	27	10244	9351	8232	6753	5187
	1.92		1131	28	10533	9671	8613	7117	5892
	2.07		1166	30	10859	10030	9025	7540	6489
	2.19		1193	31	11110	10306	9336	7886	6861
30AD10B	2.67	3	1295	36	12060	11334	10464	9383	8088
	2.92		1335	38	12433	11734	10897	9926	8565
	3.13		1366	39	12722	12042	11229	10317	8952
	3.36		1399	41	13029	12368	11581	10715	9399
36AD6B	.67	3/4	608	13.7	9068	6987	3386	1983	
	.76		643	15.2	9590	7714	3972	2559	
	.80		660	15.9	9844	8043	4334	2836	
36AD7B	.83	1	670	16.3	9993	8233	4599	2997	
	1.05		708	18	10560	8922	5920	3588	2388
	1.12		727	18.8	10843	9257	6488	3876	2701
36AD8B	1.26	1-1/2	767	21	11440	9943	7545	4506	3354
	1.41		810	23	12081	10663	8677	5348	4028
	1.49		833	24	12424	11043	9258	6046	4377
	1.66		878	26	13095	11779	10272	7588	5076
36AD9B	1.83	2	917	28	13677	12411	11061	8661	5769
	1.96		945	29	14095	12862	11595	9386	6434
	2.07		967	30	14423	13215	12001	9964	7171
	2.21		1013	33	15109	13949	12826	11163	8737
36AD10B	2.46	3	1050	35	15661	14537	13469	12033	9768
	2.86		1107	39	16511	15439	14436	13228	11251
	3.32		1160	42	17301	16272	15319	14251	12645
36AD11B	4.43	5	1284	51	19151	18214	17344	16461	15388
	4.72		1314	53	19598	18681	17828	16976	15971
	5.37		1376	57	20523	19645	18824	18019	17127
42AD9B	1.83	2	705	24	17832	16359	14100	9072	6205
	1.95		724	25	18312	16893	14712	11991	6754
	2.10		747	26	18894	17536	15452	13182	7426
	2.23		764	27	19324	18003	15999	13872	7970
42AD10B	2.73	3	829	32	20968	19774	18103	16144	13195
	2.99		855	33	21626	20472	18926	16995	14891
	3.35		888	36	22460	21355	19946	18060	16235
42AD11B	4.56	5	984	42	24888	23902	22769	21163	19518
	4.98		1014	45	25647	24692	23613	22129	20487
	5.56		1053	48	26634	25716	24704	23362	21741
42AD12B	7.32	7-1/2	1161	57	29365	28539	27657	26610	25236
	7.80		1188	60	30048	29240	28385	27393	26099
	8.13		1206	62	30503	29708	28868	27910	26667
48AD9B	1.75	2	533	18.9	20886	17782	13398	7244	4188
	1.98		563	21	22061	19051	15503	8646	5264
	2.25		596	23	23354	20431	17900	11245	7280
48AD10B	2.71	3	650	26	25470	22671	20582	16255	9979
	2.97		683	29	26763	24032	22077	18388	12135
	3.13		699	30	27390	24689	22786	19867	15771
48AD11B	4.28	5	771	36	30212	27649	25879	24023	19943
	4.86		810	39	31740	29255	27521	25849	23188
	5.15		829	41	32484	30035	28315	26705	24506
	5.55		852	43	33386	30977	29275	27727	25816
48AD12B	7.03	7-1/2	927	50	36324	34056	32382	30962	29466
	7.51		949	52	37187	34955	33291	31895	30468
	8.10		975	55	38205	36016	34360	32991	31626

Performance shown is for Installation Type A: free inlet, free outlet. Power rating (BHP) does not include drive losses. Performance ratings do not include the effects of appurtenances in the airstream.

24 EDD - Direct Drive

Catalog Number	Max. BHP	Mtr. HP	Fan RPM	CFM vs. Static Pressure												
				0"	1/8"	1/4"	3/8"	1/2"	5/8"	3/4"	7/8"	1"				
24ED608D08	.09 .12 .13 .16 .17 .20 .26 .33 .32 .43 .37 .51	1/6	860	2387	1734											
24ED412D08				3089	2370											
24ED612D08				3001	2423											
24ED416D08				3682	2961											
24ED616D08				3578	3086											
24ED420D08				4291	3573											
24ED620D08				4279	3767											
24ED424D08				4723	4016											
24ED624D08		4954		4449												
24ED428D08		5251		4518												
24ED628D08		5587		5009												
24ED432D08		5741		4927												
24ED632D08		6208		5535	4627											
24ED436D08		6168		5287												
24ED636D08		6736		6050	4943											
24ED404D11		.12 .17 .15 .20 .22 .27 .30 .38 .41 .51 .50 .66 .63 .82 .75 1.01 .87		1/6	1140	2411	1774									
24ED604D11	2366		1925													
24ED408D11	3228		2651			1713										
24ED608D11	3164		2743			2137										
24ED412D11	4095		3584	2924												
24ED612D11	3979		3559	3051		2018										
24ED416D11	4880		4346	3767												
24ED616D11	4742		4397	3974		3189										
24ED420D11	5689		5176	4580		3661										
24ED620D11	5672		5313	4875		4253										
24ED424D11	6261		5730	5178		4331										
24ED624D11	6568		6200	5791		5191										
24ED428D11	6961		6406	5842		4930										
24ED628D11	7405		6980	6524		5907										
24ED432D11	7611		6976	6381		5549										
24ED632D11	8230		7700	7227		6649	5714									
24ED436D11	8176		7551	6824		5972										
24ED404D17	.40 .60 .71 .52 .76 .95 1.06 1.31 1.42 1.77 1.73 2.36 2.17 2.90 2.58		1/2	1725		3648	3360	2877	2319							
24ED604D17						3579	3319	3003	2685	2243						
24ED608D17						4787	4517	4236	3909	3487	2984	2460				
24ED408D17			4885			4495	4126	3688	3133							
24ED412D17			6196			5863	5523	5167	4764	4044	2819					
24ED612D17			6020			5737	5462	5192	4870	4392	3782	2921				
24ED416D17			7385			7032	6679	6323	5948	5471	4404					
24ED616D17		7176	6953		6724	6477	6198	5863	5415	4709	3229					
24ED420D17		8608	8276		7934	7571	7176	6741	6228	5324						
24ED620D17		8582	8351		8111	7853	7562	7234	6861	6348	4936					
24ED424D17		9474	9123		8772	8422	8063	7650	7116							
24ED624D17		9938	9698		9453	9200	8931	8632	8272	7781	7172					
24ED428D17		10533	10164		9798	9437	9072	8650	8079							
24ED628D17		11206	10926		10644	10355	10055	9733	9360	8861	8228					
24ED432D17		11516	11088		10673	10278	9891	9472	8964							

Performance shown is for Installation Type B: Free Inlet, Ducted Outlet. Power rating (BHP) does not include drive losses. Performance ratings do not include the effects of appurtenances in the airstream. \*860 RPM motors are available in single phase voltages on 1/6 and 1/4 horsepower only. **Shaded area - Explosion proof motors have a 1.0 service factor. They cannot be operated at a brake horsepower over the nominal motor horsepower.**

**30 EDD - Direct Drive**

Catalog Number	Max. BHP	Mtr. HP	Fan RPM	CFM vs. Static Pressure						
				0"	1/8"	1/4"	3/8"	1/2"	5/8"	3/4"
30ED404D08	.13	1/6	860	3292	2087					
30ED604D08	.19	1/4		3265	2276					
30ED408D08	.18			4561	3635					
30ED608D08	.25			4478	3758	2696				
30ED412D08	.24			5682	4870					
30ED612D08	.35	1/3		5801	5214	4122				
30ED416D08	.37	1/2		6960	6077	4699				
30ED616D08	.46			7098	6399	5595	3419			
30ED420D08	.49			8065	7100	5923				
30ED620D08	.60	3/4		8137	7571	6835				
30ED424D08	.62			9318	8181	7138				
30ED624D08	.84	1		9586	8920	8155	6863			
30ED428D08	.77			10266	9143	7985				
30ED628D08	1.01			10662	9887	9093	7670			
30ED432D08	.95	1-1/2		11175	10070	8961				
30ED632D08	1.25			11762	11008	10199	8914			
30ED436D08	1.11			12136	10962					
30ED636D08	1.50			12890	12136	11322	9877			
30ED404D11	.31	1/2	1140	4364	3692	2567				
30ED604D11	.45			4327	3632	2846				
30ED408D11	.42			6045	5432	4600				
30ED608D11	.57	3/4		5936	5463	4822	4049			
30ED412D11	.60			7532	6983	6247	5065			
30ED612D11	.80	1		7689	7271	6778	5909	5085		
30ED416D11	.84			9226	8588	7870	6969			
30ED616D11	1.10			9410	8880	8356	7803	6860	5253	
30ED420D11	1.12			10691	9929	9251	8451			
30ED620D11	1.44	1-1/2		10787	10369	9924	9395	8670	7407	
30ED424D11	1.47			12352	11437	10667	9915	8912		
30ED624D11	1.96	2		12706	12211	11697	11138	10443	9422	
30ED428D11	1.76			13608	12778	11900	11025			
30ED628D11	2.36			14134	13549	12964	12376	11691	10509	
30ED432D11	2.22	3		14813	13925	13176	12404	11262		
30ED632D11	2.93			15592	15026	14451	13852	13171	12162	10835

Performance shown is for Installation Type B: Free Inlet, Ducted Outlet. Power rating (BHP) does not include drive losses. Performance ratings do not include the effects of appurtenances in the airstream.\*860 RPM motors are available in single phase voltages on 1/6 and 1/4 horsepower only. **Shaded area - Explosion proof motors have a 1.0 service factor. They cannot be operated at a brake horsepower over the nominal motor horsepower.**

36 EDD - Direct Drive

Catalog Number	Max. BHP	Mtr. HP	Fan RPM	CFM vs. Static Pressure									
				0"	1/8"	1/4"	3/8"	1/2"	5/8"	3/4"	7/8"	1"	
36ED612D06	.43	3/4	680	8073	7153	5692							
36ED416D06	.44			9625	8192	6261							
36ED616D06	.55			9729	8666	7449							
36ED420D06	.60			11234	9814	8164							
36ED620D06	.72			11280	10378	9193							
36ED424D06	.74			12486	11247	9555							
36ED624D06	.95	1		12889	11964	10810							
36ED428D06	.93			14064	12416	10639							
36ED628D06	1.27	1-1/2		14790	13727	12399	10600						
36ED432D06	1.13			15195	13806	11903							
36ED632D06	1.53			16135	15096	13527	11659						
36ED436D06	1.34			16591	14795	12951							
36ED636D06	1.82	2	17634	16587	15127	12697							
36ED604D08	.49	1/2	860	5986	5113	3951							
36ED408D08	.43	3/4		7778	6830	5513							
36ED608D08	.62			7952	7235	6421	4962						
36ED412D08	.63			10065	9164	8115							
36ED612D08	.88	1		10210	9479	8744	7596						
36ED416D08	.89			12173	11129	9884	8490						
36ED616D08	1.14	1-1/2		12304	11461	10621	9658	7898					
36ED420D08	1.20			14207	13216	11819	10667						
36ED620D08	1.58			14266	13566	12810	11872	10260					
36ED424D08	1.49			15791	14854	13737	12392						
36ED624D08	1.97	2		16300	15581	14813	13898	12340					
36ED428D08	1.88			17787	16379	15288	13911						
36ED628D08	2.57	3		18705	17881	16990	15922	14611	13026				
36ED432D08	2.28			19218	18154	16944	15405						
36ED632D08	3.10			20406	19608	18710	17416	16023	14133				
36ED436D08	2.72			20982	19601	18091	16674						
36ED604D11	.78			1140	7844	6934	5755	4406					
36ED604D11	1.15	1			7934	7294	6621	5909	4839				
36ED408D11	1.00		10310		9562	8889	7984	6631					
36ED608D11	1.44		10542		10005	9455	8864	8106	6896	5847	4680		
36ED412D11	1.54	1-1/2	13343		12674	11973	11200	10276	8468				
36ED612D11	2.03		13534		12981	12433	11886	11282	10411	8891	7176		
36ED416D11	2.07	2	16137		15377	14534	13553	12696	11695				
36ED616D11	2.66		16310		15673	15039	14409	13756	13026	12105	10547		
36ED420D11	2.84		18833		18112	17307	16222	15243	14409	12930			
36ED620D11	3.68	3	18910		18386	17850	17287	16675	15962	14997	13641	9551	
36ED424D11	3.53		20933		20238	19507	18689	17729	16717	15473	13161		
36ED624D11	4.67		5		21608	21069	20520	19946	19331	18636	17744	16401	14990
36ED428D11	4.36				23579	22465	21490	20667	19868	18833	17149	15424	

Performance shown is for Installation Type B: Free Inlet, Ducted Outlet. Power rating (BHP) does not include drive losses. Performance ratings do not include the effects of appurtenances in the airstream. \*860 RPM motors are available in single phase voltages on 1/6 and 1/4 horsepower only. **Shaded area - Explosion proof motors have a 1.0 service factor. They cannot be operated at a brake horsepower over the nominal motor horsepower.**

42 EDD - Direct Drive

Catalog Number	Max. BHP	Mtr. HP	Fan RPM	CFM vs. Static Pressure											
				0"	1/8"	1/4"	3/8"	1/2"	5/8"	3/4"	7/8"	1"			
42ED412D06	.70	3/4	680	12476	11126	9159									
42ED612D06	.94	1		12409	11494	10273	8326								
42ED416D06	.93	1-1/2		14804	13405	11584	8624								
42ED616D06	1.28			15137	14056	12779	10878								
42ED420D06	1.23	2		17643	15766	14151									
42ED620D06	1.68			17637	16663	15431	13537	9246							
42ED424D06	1.62			19914	18048	16150	13641								
42ED624D06	2.20			20393	19243	17864	15938	13559							
42ED428D06	1.92			21558	19916	17967	14503								
42ED628D06	2.66			3	23173	21919	20241	18099							
42ED432D06	2.41	23499			21952	20226									
42ED632D06	3.30	25208			24081	22592	19838	17546							
42ED436D06	2.83	25361	23764		21600										
42ED404D08	.80	1	860	9530	8459	6818									
42ED604D08	1.05			8806	7873	6965	5468								
42ED408D08	1.00			12591	11601	9876	7926	5946							
42ED608D08	1.33	1-1/2		12184	11482	10116	9099	7804							
42ED412D08	1.40			15778	14763	13521	11922								
42ED612D08	1.88	2		15693	14988	14208	13219	11983	10022						
42ED416D08	1.92	3		18722	17616	16503	15081	12739							
42ED616D08	2.62			19144	18301	17410	16391	15087	13386						
42ED420D08	2.58	5		22313	20682	19502	18267	16096							
42ED620D08	3.42			22306	21549	20737	19756	18377	16768	14224					
42ED424D08	3.26			25186	23714	22228	20728	19109							
42ED624D08	4.49			25791	24895	23947	22846	21436	19825	18086					
42ED428D08	3.95		7-1/2	27265	25983	24634	23086	20801	17777						
42ED628D08	5.49			29307	28337	27278	25930	24193	22561	20671					
42ED432D08	4.88	10	29720	28508	27252	25881	24078								
42ED632D08	6.68		31880	31006	30060	28882	26740	24741	23019						
42ED436D08	5.74		32075	30840	29491	27757	25089								
42ED636D08	7.88		34381	33440	32462	31395	30103	28175							
42ED404D11	1.87	2	1140	12632	11925	10912	9638	8329							
42ED604D11	2.45	3		11674	10942	10282	9627	8770	7527	6567	5625				
42ED408D11	2.34			16691	16015	15082	13506	12715	11145	9502	7941				
42ED608D11	3.11			16152	15644	15075	14171	12952	12249	11492	10387	8738			
42ED412D11	3.31	5		20916	20165	19371	18468	17362	16145	14847	13104				
42ED612D11	4.41			20803	20275	19734	19156	18510	17749	16885	15915	14660			
42ED416D11	4.46			24818	23984	23149	22314	21441	20371	18706	16934	15265			
42ED616D11	5.93			25376	24745	24104	23436	22730	21955	21075	20031	18807			
42ED420D11	6.01	7-1/2		29577	28270	27166	26273	25451	24530	23085	21383				
42ED620D11	7.83			29568	29001	28422	27815	27159	26416	25494	24392	23231			
42ED424D11	7.61			33386	32277	31164	30044	28916	27785	26632	25370	23768			
42ED624D11	9.89	10		34187	33516	32832	32121	31365	30535	29563	28448	27251			
42ED428D11	9.20		36141	35180	34203	33194	32128	30955	29546	27638	25296				

Performance shown is for Installation Type B: Free Inlet, Ducted Outlet. Power rating (BHP) does not include drive losses. Performance ratings do not include the effects of appurtenances in the airstream. \*860 RPM motors are available in single phase voltages on 1/6 and 1/4 horsepower only. **Shaded area - Explosion proof motors have a 1.0 service factor. They cannot be operated at a brake horsepower over the nominal motor horsepower.**



48 EDD - Direct Drive

Catalog Number	Max. BHP	Mtr. HP	Fan RPM	CFM vs. Static Pressure								
				0"	1/8"	1/4"	3/8"	1/2"	5/8"	3/4"	7/8"	1"
48ED604D06	1.04	1	680	11040	9434	7741	5518					
48ED408D06	.96			14147	12952	10454	7589					
48ED608D06	1.27	1-1/2		14147	13249	11933	9964					
48ED412D06	1.31			18417	16804	14659	10725					
48ED612D06	1.86	2		19536	17868	16377	13963	12011				
48ED416D06	1.76			21556	20244	18037	13996					
48ED616D06	2.54	3		22821	21797	20663	19088	15943				
48ED420D06	2.36			26280	24080	21290	18084	13983				
48ED424D06	2.80			27685	26000	23966	21092	14290				
48ED604D08	2.11	2		860	13963	12981	11105	9989	8803			
48ED408D08	1.93		17892		16970	15954	14173	11097				
48ED608D08	2.63	3	17891		17201	16425	15348	14084	12039	10249		
48ED412D08	2.65		23292		22035	20706	19035	15189	13194			
48ED612D08	3.74	5	24708		23355	22127	20973	19181	17377	15980	12795	
48ED416D08	3.57		27262		26260	25110	23255	21461	17275			
48ED616D08	5.23		28862		28060	27229	26330	25269	23753	20812	19184	
48ED420D08	4.85	7-1/2	33236		31561	29606	27307	25569	21248	18673		
48ED620D08	6.70		34343		33351	32328	31216	29933	28284	26218	23875	
48ED424D08	5.68		35013		33701	32307	30679	28659	26081	20432		
48ED624D08	8.47	10	39008	37515	36115	34854	33646	32315	30497	28221		
48ED428D08	7.55		40680	38848	37088	35411	33658	31557	28892			
48ED628D08	10.28		43442	42223	40944	39512	37714	35345	32800	30794		
48ED432D08	9.19		43841	42284	40653	38823	36660	33935	28325			
48ED404D11	3.32	3	1140	18427	17588	16629	15342	13506	11090	9343		
48ED604D11	4.91	5		18509	17805	16978	15434	14250	13448	12679	11706	
48ED408D11	4.54			23718	23029	22319	21565	20715	19442	16432	14748	
48ED608D11	6.02	7-1/2		23717	23201	22670	22096	21437	20603	19640	18698	
48ED412D11	6.18			30876	29933	28974	27980	26917	25658	23599	20195	
48ED612D11	8.57	10		32752	31718	30722	29787	28917	28053	27022	25478	
48ED416D11	8.28			36138	35390	34614	33770	32780	31327	29712	28486	
48ED616D11	11.0			38258	37656	37047	36424	35777	35095	34358	33522	
48ED420D11	10.95			44058	42809	41509	40079	38382	36620	35196	33931	

Performance shown is for Installation Type B: Free Inlet, Ducted Outlet. Power rating (BHP) does not include drive losses. Performance ratings do not include the effects of appurtenances in the airstream. \*860 RPM motors are available in single phase voltages on 1/6 and 1/4 horsepower only. **Shaded area - Explosion proof motors have a 1.0 service factor. They cannot be operated at a brake horsepower over the nominal motor horsepower.**

24 EDB - Belt Drive

Catalog Number	Max. BHP	Mtr. HP	Fan RPM	CFM vs. Static Pressure									
				0"	1/8"	1/4"	3/8"	1/2"	5/8"	3/4"	7/8"	1"	
24-EDB	.32	1/2	867	4809	4250	3396							
	.37		910	5048	4527	3814							
	.45		967	5364	4886	4233							
	.50		1002	5558	5102	4478							
	.54		1034	5736	5297	4701	3607						
	.67	3/4	1107	6141	5736	5208	4611						
	.75		1147	6362	5974	5482	4917						
	.82		1184	6568	6193	5731	5182						
	.89	1	1219	6762	6399	5963	5427	4693					
	1.00		1263	7006	6657	6250	5734	5197					
	1.10		1303	7228	6891	6505	6012	5518					
	1.35	1-1/2	1396	7744	7430	7085	6655	6186	5657				
	1.50		1446	8021	7719	7392	6992	6534	6086				
	1.65		1492	8276	7984	7670	7297	6855	6430	5732			
	1.80	2	1537	8526	8242	7941	7591	7168	6750	6272			
	2.01		1592	8831	8558	8270	7942	7547	7134	6729	5776		
	2.20		1643	9114	8849	8573	8265	7894	7489	7105	6608		
	2.25	3	1655	9180	8918	8643	8340	7975	7573	7191	6725		
2.70	1759		9757	9510	9255	8980	8663	8295	7919	7561	7089		
3.01	1822		10107	9869	9624	9362	9067	8725	8358	8010	7644		

30 EDB - Belt Drive

Catalog Number	Max. BHP	Mtr. HP	Fan RPM	CFM vs. Static Pressure									
				0"	1/8"	1/4"	3/8"	1/2"	5/8"	3/4"	7/8"	1"	
30-EDB	.42	1/2	696	7396	6526								
	.49		721	7662	6841	5308							
	.55		744	7906	7124	5717							
	.67	3/4	797	8470	7760	6582							
	.74		825	8767	8087	7012							
	.81		852	9054	8400	7415							
	.89	1	877	9320	8689	7779	6382						
	1.00		909	9660	9055	8230	6964						
	1.09		938	9968	9384	8624	7450						
	1.12	1-1/2	945	10043	9463	8717	7564						
	1.33		1004	10670	10129	9480	8491	7186					
	1.49		1040	11052	10532	9927	9030	7875					
	1.64	2	1074	11413	10910	10338	9525	8453					
	1.79		1106	11753	11266	10722	9978	8973					
	1.98		1145	12168	11698	11183	10512	9586	8486				
	2.19	3	1183	12572	12118	11626	11014	10162	9152				
	2.24		1191	12657	12206	11718	11117	10281	9287				
	2.68		1266	13454	13031	12583	12062	11366	10497	9509			
3.00	3	1312	13943	13535	13106	12621	12001	11202	10296				
3.29		1354	14389	13994	13582	13125	12560	11825	10981	10026			

Performance shown is for Installation Type B: Free Inlet, Ducted Outlet. Power rating (BHP) does not include drive losses. Performance ratings do not include the effects of appurtenances in the airstream.

**36 EDB - Belt Drive**

Catalog Number	Max. BHP	Mtr. HP	Fan RPM	CFM vs. Static Pressure								
				0"	1/8"	1/4"	3/8"	1/2"	5/8"	3/4"	7/8"	1"
36-EDB	.53	3/4	554	10095	8824							
	.67		589	10732	9532	7651						
	.74		610	11115	9952	8307						
	.82		630	11479	10348	8907						
	.88	1	648	11807	10702	9418						
	.97		671	12227	11154	10014						
	1.08		693	12627	11583	10539	8323					
	1.34	1-1/2	742	13520	12537	11618	10018					
	1.48		769	14012	13059	12182	10833					
	1.62		794	14468	13542	12694	11545	9270				
	1.79	2	817	14887	13985	13160	12146	10278				
	1.99		846	15415	14542	13741	12845	11233				
	2.19		874	15925	15078	14298	13480	12091				
	2.70	3	936	17055	16261	15520	14799	13836	12249			
	2.98		969	17656	16888	16166	15476	14650	13271			
	3.30		1001	18240	17494	16790	16125	15382	14227	12602		
	3.74	5	1044	19023	18308	17626	16987	16318	15404	14004		
	4.50		1110	20226	19552	18903	18293	17689	16989	15969	14573	
	4.99		1150	20955	20304	19674	19080	18502	17872	17040	15808	14337
	5.51		1187	21629	20997	20385	19803	19245	18658	17948	16909	15590
6.68	7-1/2	1271	23159	22569	21992	21439	20912	20388	19821	19116	18136	
7.36		1316	23979	23409	22850	22311	21798	21294	20768	20162	19366	
8.05		1359	24763	24210	23667	23142	22640	22153	21655	21110	20442	

**42 EDB - Belt Drive**

Catalog Number	Max. BHP	Mtr. HP	Fan RPM	CFM vs. Static Pressure								
				0"	1/8"	1/4"	3/8"	1/2"	5/8"	3/4"	7/8"	1"
42-EDB	.99	1	516	15247	13683	11201						
	1.09		533	15750	14237	11915						
	1.11	1-1/2	537	15868	14365	12092						
	1.32		571	16872	15455	13615						
	1.47		591	17463	16090	14466	11982					
	1.64		611	18054	16721	15258	12849					
	1.79	2	629	18586	17288	15929	13597					
	1.99		651	19236	17977	16710	14516					
	2.18		672	19857	18633	17433	15444	13329				
	2.69	3	720	21275	20125	19032	17562	15440				
	2.99		746	22044	20929	19881	18600	16522	14606			
	3.28		770	22753	21671	20656	19496	17564	15779			
	3.72	5	803	23728	22687	21712	20664	19052	17180			
	4.48		854	25235	24253	23330	22392	21189	19335	17746		
	4.97		884	26121	25171	24274	23381	22322	20682	19000	17360	
	5.49		913	26978	26056	25184	24327	23363	21967	20208	18755	
	6.74	7-1/2	978	28899	28036	27212	26417	25584	24571	23089	21484	20136
	7.48		1013	29933	29100	28299	27531	26744	25848	24616	22989	21618
	8.25		1046	30908	30100	29320	28575	27822	27003	25954	24473	22988
	8.97	10	1076	31795	31009	30247	29520	28795	28018	27090	25807	24271
9.91	1115		32947	32188	31450	30744	30047	29323	28501	27439	26017	
10.79	1151		34011	33275	32557	31870	31196	30504	29757	28841	27620	

Performance shown is for Installation Type B: Free Inlet, Ducted Outlet. Power rating (BHP) does not include drive losses. Performance ratings do not include the effects of appurtenances in the airstream.

48 EDB - Belt Drive

Catalog Number	Max. BHP	Mtr. HP	Fan RPM	CFM vs. Static Pressure								
				0"	1/8"	1/4"	3/8"	1/2"	5/8"	3/4"	7/8"	1"
48-EDB	1.30	1-1/2	476	21240	19176	15608						
	1.42		493	21998	20029	16703						
	1.58		509	22712	20823	17762	13313					
	1.78	2	524	23381	21559	18762	14995					
	1.98		543	24229	22484	19990	16484					
	2.17		561	25032	23353	21090	17698					
	1.93	3	538	24006	22241	19673	16120					
	2.21		565	25211	23545	21326	17960					
	2.66		600	26773	25218	23302	20211	16840				
	2.98		622	27754	26260	24481	21661	18670				
	3.26	5	642	28647	27203	25527	22994	20055				
	3.70		670	29896	28519	26959	24791	21871	18745			
	4.46		712	31770	30478	29060	27274	24597	22035			
	4.96		738	32930	31686	30340	28709	26331	23741	20934		
	5.49	7-1/2	762	34001	32798	31509	29994	27896	25278	22881		
	6.72		815	36366	35244	34063	32734	31091	28766	26428	24117	
	7.44		845	37705	36623	35496	34247	32763	30741	28355	26246	23459
	8.23	10	872	38910	37863	36776	35590	34220	32440	30124	28013	25841
	8.95		898	40070	39054	38003	36872	35583	33993	31859	29680	27694
	9.82		930	41498	40518	39509	38432	37233	35816	33955	31752	29805
10.66	960		42836	41888	40915	39887	38758	37455	35830	33749	31729	
12.60	15	1028	45870	44985	44082	43144	42139	41027	39750	38151	36193	
13.75		1065	47521	46667	45799	44900	43946	42911	41750	40366	38636	
14.92		1099	49038	48211	47372	46506	45598	44617	43537	42300	40786	

54 EDB - Belt Drive

Catalog Number	Max. BHP	Mtr. HP	Fan RPM	CFM vs. Static Pressure								
				0"	1/8"	1/4"	3/8"	1/2"	5/8"	3/4"	7/8"	1"
54-EDB	2.22	3	465	29740	27015	22202						
	2.63		495	31659	29192	24892						
	2.88		512	32746	30391	26378	21124					
	3.24		529	33834	31582	27849	23219					
	3.17	5	526	33642	31373	27589	22887					
	3.72		552	35305	33172	29824	25548					
	4.43		587	37543	35566	32746	28778	23733				
	4.91		608	38886	36987	34424	30641	26499				
	5.48	7-1/2	628	40166	38334	35977	32387	28586				
	4.76		603	38567	36650	34030	30201	25926				
	5.59		632	40421	38603	36280	32734	28978				
	6.66		672	42980	41284	39254	36180	32708	28733			
	7.44	10	696	44515	42882	40993	38214	34848	31344			
	8.23		719	45986	44408	42622	40111	36862	33591	29079		
	6.45		664	42468	40749	38672	35493	31983	27708			
	7.44		696	44515	42882	40993	38214	34848	31344			
	8.93	15	740	47329	45798	44096	41795	38682	35541	31922		
	9.93		766	48992	47516	45905	43825	40922	37885	34695	29223	
	10.95		791	50591	49165	47622	45715	43057	40090	37114	33477	
	9.68		760	48608	47120	45491	43367	40406	37349	34090		
	11.19	20	797	50975	49560	48033	46167	43564	40615	37676	34217	
	13.45		847	54172	52846	51441	49814	47670	44943	42200	39392	35964
	14.93		878	56155	54876	53531	52019	50109	47601	44921	42273	39407
	16.46		906	57946	56707	55414	53985	52232	49960	47349	44795	42162
	12.97	20	837	53533	52190	50765	49090	46869	44082	41313	38426	34628
	14.93		878	56155	54876	53531	52019	50109	47601	44921	42273	39407
	17.91		933	59673	58470	57224	55867	54250	52173	49676	47179	44678
	19.69		966	61783	60623	59428	58135	56649	54797	52500	50054	47660
	21.43	997	63766	62642	61488	60257	58881	57192	55103	52732	50400	

Performance shown is for Installation Type B: Free Inlet, Ducted Outlet. Power rating (BHP) does not include drive losses. Performance ratings do not include the effects of appurtenances in the airstream.

**60 EDB - Belt Drive**

Catalog Number	Max. BHP	Mtr. HP	Fan RPM	CFM vs. Static Pressure									
				0"	1/8"	1/4"	3/8"	1/2"	5/8"	3/4"	7/8"	1"	
60-EDB	2.97	3	438	37794	34806	31360	26445						
	3.23		452	39002	36112	32851	28302						
	3.20	5	450	38829	35926	32639	28037						
	3.69		472	40727	37969	34925	30898	25901					
	4.47		502	43316	40730	37947	34550	30037					
	4.93		520	44869	42376	39722	36604	32426	27758				
	5.43		536	46250	43834	41282	38361	34520	30158				
	4.80	7-1/2	515	44438	41920	39230	36041	31764	26902				
	5.56		540	46595	44198	41669	38789	35036	30717				
	6.66		574	49529	47278	44933	42354	39229	35276	31105			
	7.45		595	51341	49171	46924	44490	41654	38043	34124			
	8.19		614	52980	50879	48715	46394	43759	40473	36679	32634		
	6.44	10	567	48925	46646	44267	41631	38391	34344	29973			
	7.45		595	51341	49171	46924	44490	41654	38043	34124			
	8.89		632	54533	52493	50397	48171	45691	42691	39069	35369		
	9.95		655	56518	54551	52537	50418	48101	45400	42089	38524	34657	
	10.89		676	58330	56425	54481	52447	50256	47772	44761	41319	37863	
	9.72	15	650	56086	54104	52072	49933	47583	44825	41441	37854	33756	
	11.15		681	58761	56871	54943	52928	50762	48323	45384	41983	38572	
	13.37		724	62472	60694	58889	57023	55054	52917	50476	47576	44348	
14.67	750		64715	63000	61261	59476	57604	55601	53375	50777	47779		
15.88	774		66786	65124	63444	61720	59927	58026	55956	53602	50862		
12.92	20	715	61695	59895	58065	56171	54166	51976	49444	46431	43151		
14.67		750	64715	63000	61261	59476	57604	55601	53375	50777	47779		
17.10		797	68770	67157	65528	63860	62139	60323	58372	56210	53708		
18.78		826	71273	69716	68146	66547	64897	63180	61356	59372	57138		
20.50		853	73603	72096	70577	69034	67450	65806	64080	62233	60199		

Performance shown is for Installation Type B: Free Inlet, Ducted Outlet. Power rating (BHP) does not include drive losses. Performance ratings do not include the effects of appurtenances in the airstream.



## **LOREN COOK COMPANY**

2015 E. DALE STREET  
SPRINGFIELD, MO 65803-4637

417.869.6474

FAX 417.862.3820

[lorencook.com](http://lorencook.com)