

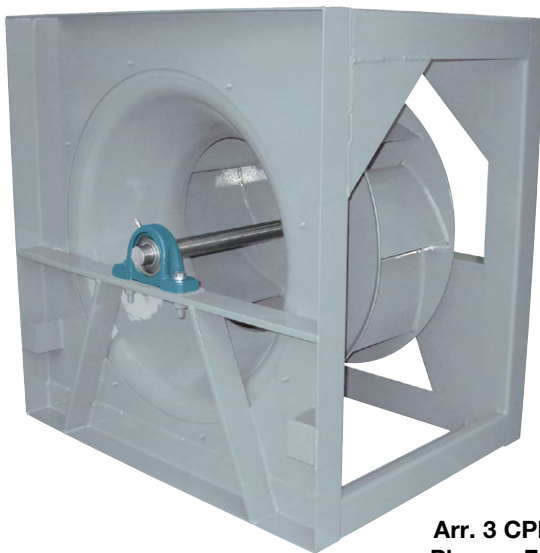
## **PLENUM FANS**

**CPLF / CPLFN / CPLQ / CPLQN**

# Plenum Fans

## Models

**CPLF | CPLFN | CPLQ | CPLQN**



**Arr. 3 CPLF  
Plenum Fan**



**Arr. 1 CPLQN  
Plenum Fan**

Aerovent has extended our product offerings to include the new C-Series line of plenum fans, which are AMCA licensed for sound and air in both Arrangement 1 and 3 configurations.

The C-Series offers the flexibility of two plenum fan designs, with each model offering its own unique performance characteristics. While every C-Series fan is highly efficient and quiet, you can choose an C-Series design option that optimizes the performance requirements most important to your application.

### Benefits of a Plenum Fan

**Saves Space** – There are no housings, transitions, or diffusers within the air handling unit.

**Efficiency** – Plenum fans can be as efficient or more efficient than scroll type fans at specific operating points towards the bottom of the fan curve.

**Lower cost** – Plenum fans are less expensive than scroll type fans.

### Compact Designs with Performance Assurance

Space is often a key consideration in the selection of plenum fans, making the compact Arrangement 3 configuration very popular.

The Arrangement 3 configuration is constructed with a bearing and bearing bar in the inlet, which will affect fan performance. These performance affects should be taken into account to ensure that your system functions as designed.

Plenum fans are unhusd fans designed to operate inside of field-fabricated or factory-built air handling units.

### Application

The fan wheel pressurizes the entire surrounding air plenum in which the fan is installed, allowing air ducts from any direction to be directly connected to the air handling unit enclosure. This design generally saves space by eliminating the fan housing, transitions, and diffusers within the air handling unit.

Plenum fans have found a ready acceptance in the air conditioning industry. In addition, the construction versatility, adaptability in the direction of the discharges, suitability for internal isolation and application of sound panels, and generally lower cost makes it a very popular fan arrangement.

Aerovent, A Twin City Fan Company, certifies that the Model CPLF, CPLFN, CPLQ & CPLQN Plenum Fans shown herein are licensed to bear the AMCA Seal. The ratings shown are based on tests and procedures performed in accordance with AMCA Publication 211 and AMCA Publication 311 and comply with the requirements of the AMCA Certified Ratings Program.

Refer to Catalog 736 for sound power levels.



## 9-Bladed Wheels

### CPLF (Arr. 3)

The model CPLF features a highly efficient and cost effective, nine-bladed airfoil wheel design. The high efficiency of the CPLF will often allow the use of smaller fans without increasing power requirements. The CPLF is an Arrangement 3 design.

### CPLFN (Arr. 1 and 4)

The model CPLFN features the same highly efficient, nine-bladed airfoil wheel design as the CPLF, but is available in Arrangement 1 or 4 designs without inlet obstructions.

### Sizes

12.4" to 73.0" wheel diameters

### Performance

Airflow from 1,000 to 170,000 CFM  
Static pressure to 10" w.g.

### Drive Configurations

Available in both direct and belt drive configurations.

### Construction

Class I, II, & III



**CPLF/CPLFN  
9-Bladed Wheel**

## 12-Bladed Wheels

### CPLQ (Arr. 3)

The Better Sound Quality model CPLQ features a twelve-bladed airfoil wheel design that flattens the sound spectrum and reduces the dominance of pure tones. The CPLQ is an Arrangement 3 design.

### CPLQN (Arr. 1 and 4)

The model CPLQN features the same Better Sound Quality, twelve-bladed airfoil wheel design as the CPLQ, but is available in Arrangement 1 or 4 without inlet obstructions.

### Sizes

12.4" to 73.0" wheel diameters

### Performance

Airflow from 1,000 to 170,000 CFM  
Static pressure to 12" w.g.

### Drive Configurations

Available in both direct and belt drive configurations.

### Construction

Class I, II, & III

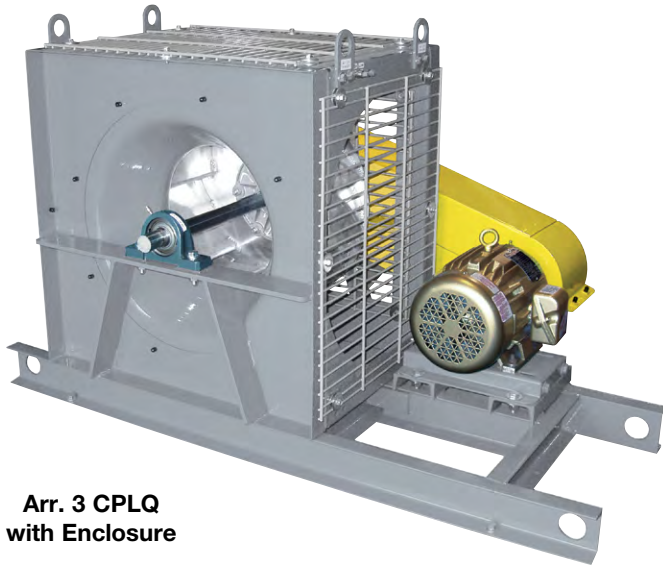


**CPLQ/CPLQN  
12-Bladed Wheel**

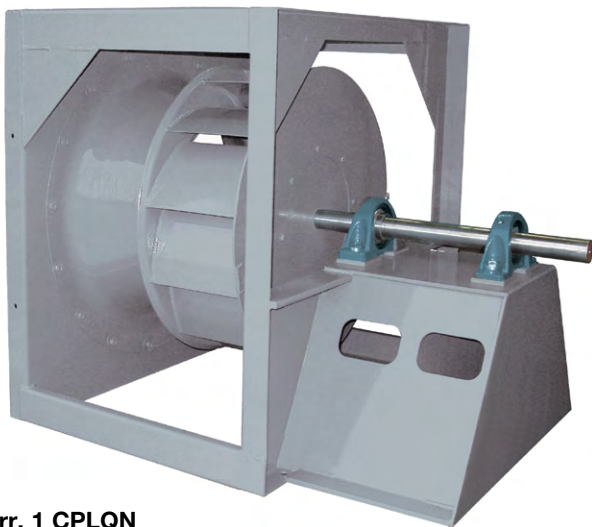
**AEROVENT**   
INDUSTRIAL VENTILATION SYSTEMS

©2013 Aerovent, Minneapolis, MN. All rights reserved. Catalog illustrations cover the general appearance of Aerovent products at the time of publication and we reserve the right to make changes in design and construction at any time without notice.

# CPLQ/CPLQN Advantage



**Arr. 3 CPLQ  
with Enclosure**



**Arr. 1 CPLQN  
Plenum Fan**

The CPLQ/CPLQN plenum fans offers unique performance features that are beneficial for many sound sensitive and higher pressure applications.

The CPLQ/CPLQN features a twelve-bladed airfoil wheel versus the nine-bladed wheel of our type CPLF/CPLFN plenum fans or eight- to ten-bladed wheels with most other competition. The "Q" in the CPLQ/CPLQN designation stands for Better Noise Quality. Noise quality is a subjective description for noise that is less objectionable.

Looking at the sound comparison, you will notice that the type CPLQ/CPLQN offers noise (SPL) that is more equally distributed across all frequencies. This can be more pleasant to hear than the sound characteristics of a nine-bladed design. Fans are often dominated in noise by the noise occurring at the blade pass frequency. (Blade pass frequency = RPM x Number of blades/60.) Noise quality is improved by reducing the difference in amplitude between the blade pass amplitudes and the neighboring frequency amplitudes. The increased higher frequency sound power levels on the twelve-bladed wheels mask the blade pass frequency offering a better sounding fan. Although the overall A-weighted sound power levels of the nine-bladed CPLF/CPLFN fans are slightly lower, the sound "quality" of the twelve-bladed CPLQ/CPLQN fans may be desirable for the application.

A higher blade pass frequency allows for easier attenuation of the noise, especially when installed inside an air handler cabinet. In many applications, the use of the CPLQ/CPLQN design will move the blade pass frequency from the second octave band to the third octave band. Acoustic silencers will normally perform about 10 dB better in the third band.

In addition to sound considerations, there are also additional benefits to using the CPLQ/CPLQN at higher pressures. Selections over 8" wg static pressure are often near the peak pressure of the fan. The additional blades give a higher peak pressure and also add stability to the fan. Twelve smaller passages through the fan wheel are more resistant to flow disturbances on the inlet than nine larger passages. The CPLQ/CPLQN is thus more resistant to system effects when operating at high pressures and the higher inlet velocities that accompany these selections.

TYPE	CFM	SP	RPM	BHP	FREQUENCY, HZ								LwA
					63	125	250	500	1000	2000	4000	8000	
CPLQN – 12 Blades	20,000	3	977	13.42	86	89	(90)	83	81	77	69	64	87
CPLFN – 9 Blades	20,000	3	967	12.92	89	(94)	87	79	80	74	67	63	85

**NOTE:** Circled figures indicate blade pass frequency.

## Wheels

High efficiency, non-overloading airfoil wheels are provided on all sizes and arrangements.

**Arr. 1 and 3** – Aluminum wheels using extruded aluminum blades are standard to size 245 on arrangement 1 and 3 fans, and available as an option on larger sizes. Steel wheels are standard on sizes 270 and larger.

**Arr. 4** – Aluminum wheels using extruded aluminum blades are standard to size 600 on direct drive arrangement 4 fans, a popular choice for applications requiring precision balance and improved reliability.

## Inlet Cones

Heavy-gauge, spun steel inlet cones are closely matched to the wheel intake rim to ensure efficient and quiet operation.

## Structural Frame

Frames are constructed of heavy-gauge steel, continuously welded at all connections for maximum strength and rigidity. The “cross frame” bearing support is designed for maximum stability and load distribution.

## Shafts

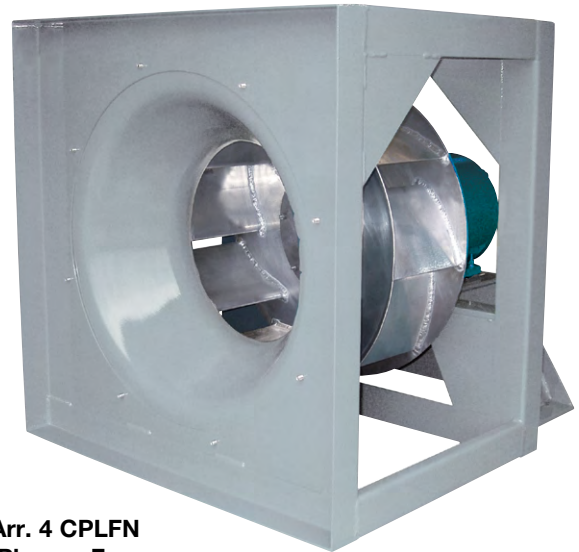
Shafts are AISI Grade 1040 or 1045 hot-rolled steel accurately turned, ground, polished, and ring-gauged for verification. Shafts are generously sized for a first critical speed of at least 1.43 times the maximum speed for the class.

## Fan Bearings

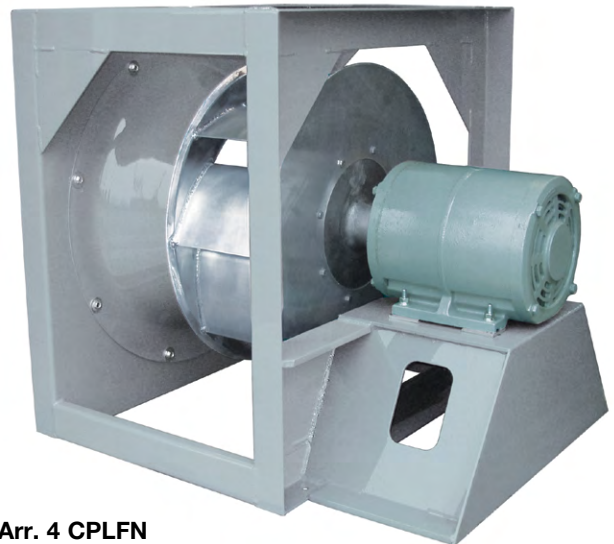
Bearings are heavy duty, grease lubricated, spherical roller or adapter mounted anti-friction ball, self-aligning, pillow block type, selected for minimum average bearing life (AFBMA L-50) in excess of 200,000 hours at the maximum fan RPM. Considering the long life offered with our standard bearing selections, we do not recommend upgrades to split-roller bearings due to their large size, especially on Arrangement 3 fans.

## Inlet Collar

Horizontal configurations are designed to be flex-connected to the perimeter of the square panel without the addition of an inlet collar.



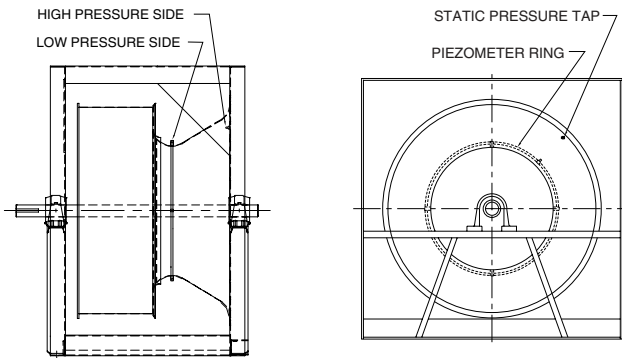
**Arr. 4 CPLFN  
Plenum Fan**



**Arr. 4 CPLFN  
Plenum Fan**

# Flow Measurement System

**Piezometer Ring Mounted at Throat of Inlet Cone**



## Piezometer Ring (Airflow Measuring System)

A piezometer ring is available on plenum fans, as well as other Aerovent housed fans, as part of an airflow measuring system, based on the principle of a flow nozzle. The inlet cone of the fan is used as the flow nozzle. The flow can be calculated by measuring the pressure drop through the inlet cone. No tubes or sensors are inserted in the high velocity airstream which could obstruct airflow.

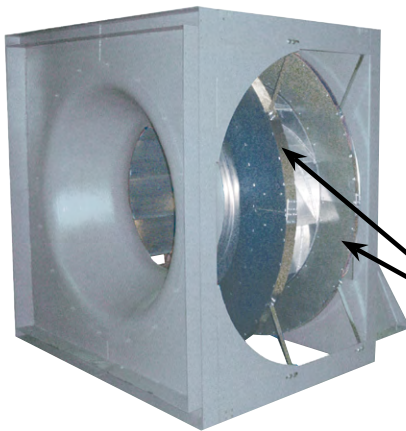
The system consists of a piezometer ring mounted at the throat and a static pressure tap mounted on the face of the inlet cone. A differential pressure transducer and digital display can also be provided.

The pressure drop is measured from the tap located on the face of the inlet cone to the piezometer ring in the throat. The inlet tap is connected to the high-pressure side of the transducer and the piezometer ring is connected to the low-pressure side. See diagram on right.

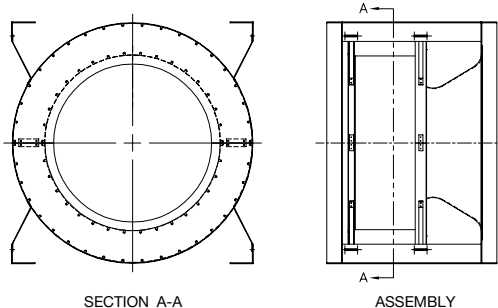
Based on Aerovent laboratory tests, the system was determined to be accurate within +/-5%.

**NOTE: Aerovent does not recommend placement of flow measuring probes inside the fan inlet cone in the path of airflow. These devices create disturbances and unpredictable performance losses. Aerovent will not be responsible for loss of performance due to such devices.**

# Aero Acoustic Diffuser™ (U.S. Patent 8025477 B2)



**Aero Acoustic Diffuser™ mounted on Arr. 4 CPLQN**



The new Aero Acoustic Diffuser™ is exclusively available on the Aerovent C-Series plenum fans. The patented design allows the plenum fan to discharge sound power reductions by up to 3dBA while increasing aerodynamic static efficiency by up to 4%.

The Aero Acoustic Diffuser™ features a fully galvanized construction that mount at the front and back of the fan wheel. The acoustic attenuating material is inserted within a solid housing and a perforated front-plate that directs airflow across the diffuser reducing fan noise and increasing static efficiency.

Mounting brackets constructed of galvanized steel mount directly to the framework allowing for mounting within the existing fan framework.

The Aero Acoustic Diffuser™ is available on all C-Series plenum fan sizes, both direct drive and belt drive. The diffuser is available on fans direct from the factory or as a retrofit kit to existing fans.

## Accessories

### Variable Inlet Vanes

Variable inlet vanes provide economical, stable, and efficient air volume control for manual or motorized operation. Blades are supported with fatigue-resistant steel shafts and two needle roller bearings riding on zone-hardened surfaces to minimize wear. Bearings are lubricated for life with high grade moisture resistant grease and protected with lip seals. The vane bearing housings are welded in position and stiffened with a welded support ring. The welded structure eliminates flutter and vibration while utilizing a cantilevered design to minimize insertion loss.

**NOTE:** Inlet vanes are not recommended on fans smaller than size 200 due to noise and performance loss.

### Inlet Collar

The standard, square-panel design provides the means for flex connecting on all arrangements without an inlet collar.

### Belt Guard

Provides protection to personnel from the moving drive parts. Both standard and OSHA totally enclosed types are available.

### Protective Enclosure

Grill style protective enclosure completely encloses all sides and the back of the fan wheel. Side panels are individually removable to provide access to the wheel.

### Inlet Screen

Heavy-gauge barbecue grill style inlet screen that nests in the inlet funnel for personnel protection on non-ducted inlets.



**NOTE:** On belt driven units, a belt guard should be used for full protection.

Optional Belt Guard & Protective Enclosure



Inlet Screen



Inlet Collar

## Arrangements

### Arrangement 1 (CPLFN and CPLQN)

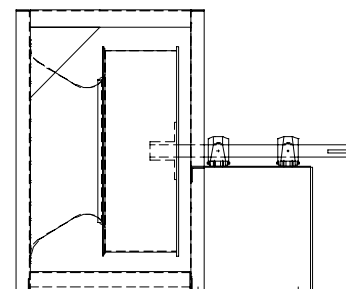
Arrangement 1 features an overhung wheel design suitable for V-belt drive and requires mounting of motor independent of the fan.

- Class I and II available in sizes 122 to 890. See dimensional drawing on page 33.
- Class III available in sizes 182 to 890. Contact factory for dimensional drawing.

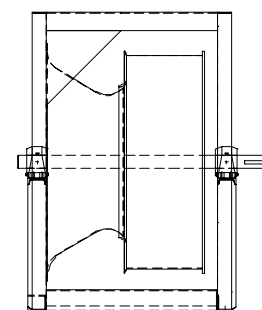
### Arrangement 3 (Horizontal - CPLF and CPLQ)

This is the most common plenum fan arrangement for use in OEM and site-built air handlers. Arrangement 3 is suitable for V-belt drive and requires mounting of the motor independently of the fan. Aerovent offers common unitary bases and isolation bases for the fan and motor as accessories.

- Class I and II available in sizes 122 to 890. Class III available in sizes 182 to 890. See dimensional drawing on page 34.



Arrangement 1



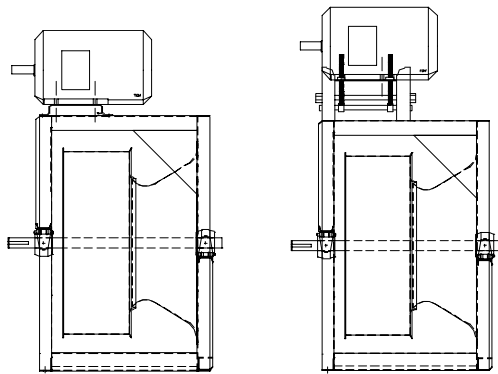
Arrangement 3

# Arrangements

## Arrangements 3HS and 3HA (Horizontal with Top Mounted Motor)

Arrangements 3HS and 3HA provide a means for mounting the motor on top of the unit. This design is often desirable when floor space is limited.

Available with two different motor mounting options: slide base type (Arrangement 3HS) and adjustable motor base (Arrangement 3HA). Due to limited belt center range, NEMA "slide base" option is available on sizes 182 and larger only. A heavy duty Aerovent designed "adjustable motor base" is available for all fan sizes.



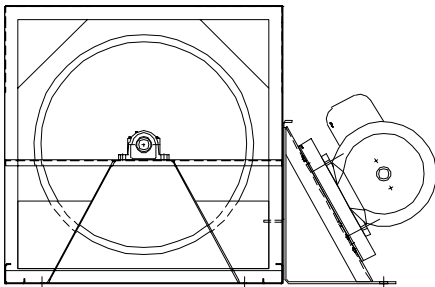
Arr. 3HS

Arr. 3HA

- Models CPLF and CPLQ.
- Arrangement 3HS is available in Class I and II with motor slide base for sizes 182 to 542. See dimensional drawing on page 36.
- Arrangement 3HA with pivot motor base is available in Class I and II for sizes 122 to 542. See dimensional drawing on page 36.

## Arrangement 3SM (Horizontal With Side Mounted Motor)

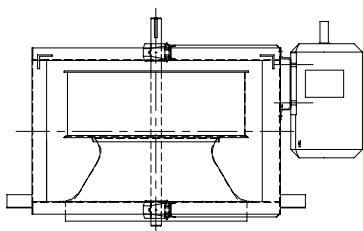
Arrangement 3SM is designed to provide an economical and space-saving means to supply plenum fans with motors mounted to the side of the fan frame. A motor slide base allows for quick and easy belt adjustments.



- Models CPLF and CPLQ.
- Class I and II available in sizes 165 to 600. Motor limited to maximum frame size shown on drawing. See dimensional drawing on page 35.

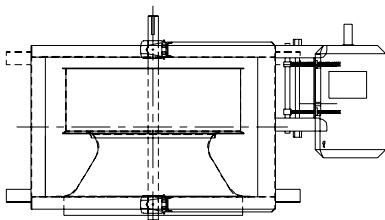
## Arrangements 3VS and 3VA (Vertical with Side Mounted Motor)

Vertical Arrangement 3 is available with two different motor mounting options: slide base type (Arrangement 3VS) and adjustable motor base (Arrangement 3VA). Due to limited belt center range, NEMA "slide base" option is available on sizes 182 and larger only. A heavy duty Aerovent designed "adjustable motor base" is available for all fan sizes.



Arr. 3VS

Shown with optional inlet collar



Arr. 3VA

Shown with optional inlet collar

- Models CPLF and CPLQ.
- Arrangement 3VS is available in Class I and II with motor slide base for sizes 182 to 542. See dimensional drawing on page 37.
- Arrangement 3VA with pivot motor base is available in Class I and II for sizes 122 to 542. See dimensional drawing on page 37.
- Unless specified otherwise, units will be built for vertical up airflow.



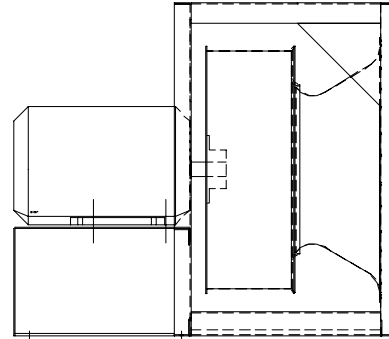
## Arrangement 4 (Horizontal)

Direct drive Arrangement 4 mounts the fan wheel directly onto the motor shaft. This arrangement provides a compact fan/motor unit which eliminates belt residue and requires less maintenance than other arrangements.

For these reasons, Arrangement 4 plenum fans are widely used in cleanroom, pharmaceutical, and other critical applications.

Fans can be selected with varying wheel widths to provide desired performance at direct drive motor speeds. Performance changes in the field are usually achieved by means of variable inlet vanes or VFD.

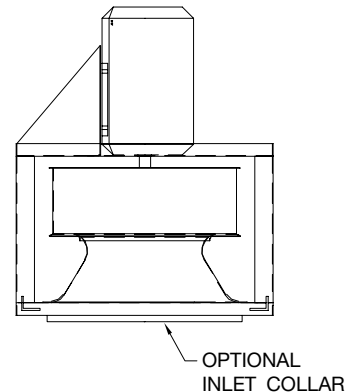
- Models CPLFN and CPLQN.
- Aluminum wheels using extruded aluminum blades are standard.
- Class I and II available in sizes 122 to 660. See dimensional drawing on pages 38-39.
- Class III available in sizes 182 to 660. See dimensional drawing on pages 40-41.



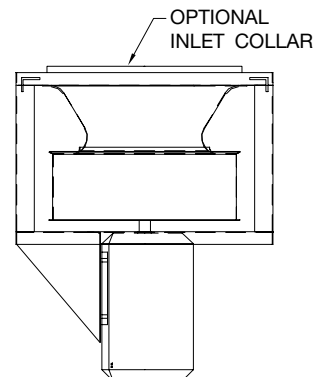
## Arrangement 4 (Vertical)

Vertical Arrangement 4 is available for mounting with either vertical up airflow (inlet under the motor) or vertical down airflow (inlet above the motor).

- Models CPLFN and CPLQN.
- Aluminum wheels using extruded aluminum blades are standard.
- Class I and II available in sizes 182 to 490.
- Inlet flange available.
- See dimensional drawing on page 42.



**Vertical Up Airflow**

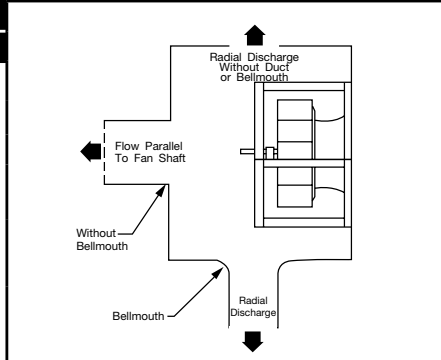


**Vertical Down Airflow**

# Duct Entrance Losses From Plenum Cabinet

To achieve the air velocity in the discharge duct and overcome the loss associated with the air entering the ductwork, additional resistance must be added to the external static pressure (ESP) requirements of the fan. Different types of duct entrances and locations will require varying correction factors. Therefore, prior to selecting a fan, make the following correction, depending upon the type of duct and its location.

ADDITIONAL DUCT ENTRANCE LOSS TO BE ADDED TO FAN ESP	
DISCHARGE TYPE	CORRECTION FACTOR
• Radial and ducted with bellmouth	1.1 x Duct Velocity Pressure
• Radial and ducted without bellmouth	1.4 x Duct Velocity Pressure
• Radial without duct or bellmouth	1.8 x Duct Velocity Pressure
• Flow parallel to shaft and ducted with bellmouth	1.6 x Duct Velocity Pressure
• Flow parallel to shaft and ducted without bellmouth	1.9 x Duct Velocity Pressure
• Flow parallel to shaft without duct or bellmouth	2.4 x Duct Velocity Pressure



**Example:** A system requires 30,000 CFM at 5" SP at standard air density with one 4 ft diameter duct with bell-mouth placed in a radial discharge. Determine RPM and brake horsepower:

Duct area =  $(4^2 \times \pi) \div 4 = 12.57 \text{ ft}^2$

Duct velocity =  $30,000 \div 12.57 = 2387 \text{ FPM}$

Duct velocity pressure =  $(2387 \div 4005)^2 = 0.355 \text{ @ std. cond.}$

Entrance loss correction factor = 1.1 x duct velocity pressure  
 = 1.1 x 0.355 = 0.39

Thus, select the fan for = 5" + 0.39" = 5.39" SP

## Application Guidelines

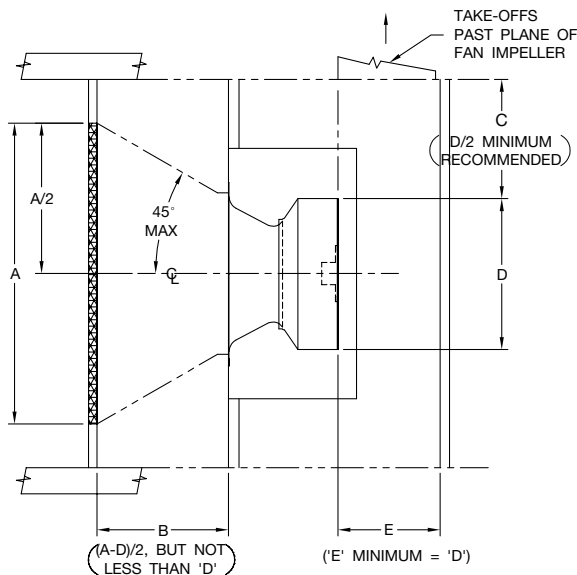
### Fan Selection Recommendations

- System effect losses (see AMCA 201) and plenum losses should be estimated and added to the required static pressure, prior to making selections. Refer to AMCA Publication 201 at [www.amca.org](http://www.amca.org) and Aerovent Fan Engineering Data Letter "Fan Performance Troubleshooting Guide" (FE-100) at [www.aerovent.com](http://www.aerovent.com).
- Fans should be selected so that the point of operation is approximately between 55% and 90% of the free delivery point on the fan curve.
- Avoid selections over 4000 RPM. A narrow width, larger size impeller can be used to avoid this.
- Arrangements 1 and 4 will offer the best efficiency and lowest noise as there are no inlet obstructions.
- Where space is available, mount the fan and motor on a sub-base. The motor can be mounted on the fan on Arrangements 3HS, 3HA, 3SM, 3VS, and 3VA.
- Use inertia-type isolation bases or rigid mounting for lowest fan vibration. Rigid mounting requires dynamic analysis (by others) of the support structure to avoid resonance.
- Applications exceeding 10" SP are prone to high system effect losses. Use of housed fans (CBA) should be considered.
- Where static pressures over 8" wg are required, Model CPLQ or CPLQN are preferred because of lower operating speeds and improved stability. Select the fan so the design pressure is at least 10% below the peak pressure.
- Where flow monitoring is required, use a piezometer ring or externally mounted flow measurement station. Fan performance may be substantially affected by flow measurement probes mounted directly in the fan inlet cone. Refer to page 6.
- For direct drive fans without speed control (or where speed control cannot exceed 60 Hz), select fans at 3 – 5% below the nominal speed of the motor. This will normally cover the uncertainties associated with the system and air balancer's measurements. Select motors loaded no closer than 90% of the maximum loading of the motor.
- For multiple fans in a plenum, alternate CW and CCW rotation fans to minimize losses. If fans are not counter-rotating, install walls between each fan to create cells in the outlet plenum.
- Add losses for duct take-offs per the chart above to pressure requirements of the fan. Bellmouth entries will always reduce losses and are recommended.
- For highest reliability, specify the required bearing life. For example, the statement "minimum L-10 bearing life = 100,000 hours" allows for the best bearing to be put on the fan without creating other problems. Some specifications state "use split roller bearings." This can cause a number of problems, such as:
  - On smaller fans, there may not be enough radial load to prevent roller skidding. This is especially a problem for Arrangement 3 fans.
  - Split roller bearings are not offered in sizes smaller than 1<sup>7</sup>/<sub>16</sub>" bore. Smaller fans use shafts smaller than this.
  - The oversized bearing in the inlet will block some air in smaller fans (above the losses that are already included in the CPLF/CPLQ ratings).

## Location and Placement of Fans in Air Handlers

1. Center the fan inlets in both the horizontal and vertical planes.
2. For inlet clearance, see Figure 1. The flow should converge at an angle not greater than  $45^\circ$  when approaching the opening for the fan inlet. A minimum of one fan wheel diameter clearance is recommended.
3. In the fan outlet plenum, a minimum wall clearance of one-half fan wheel diameter to the periphery of the fan wheel is recommended.
4. Figure 1 shows that the minimum clearance between the back of the fan wheel and the nearest component downstream (Dim. E) should be one wheel diameter. Small clearances do not allow the flow to equalize behind the fan wheel and the pressure drop of the downstream component is increased.
5. When the flow enters the inlet plenum perpendicular to the fan shaft, large system effect losses can occur. See Figure 2 for a recommended flow baffle or a vortex breaker that may help preserve rated fan performance.

Figure 1. Recommended Location of Fan in Plenum



6. When two or more fans are installed in a plenum, divide the plenum into imaginary cells of equal area. Center the fan inlets on each cell. See Figure 3.

## Installation Recommendations

1. Install the fan so the flexible connector on the inlet remains uncollapsed during operation.
2. Install thrust restraints (snubbers) to maintain the axial position of the fan when it is generating pressure.
3. Peripheral equipment, such as electrical components, inverters, control panels, etc., should be positioned away from the high velocity air entering or leaving the fan.
4. Adjust springs on the isolation base so that spring deflection is approximately equal for all isolators.
5. Follow safety, installation, start-up, and maintenance instructions supplied with each fan.

Figure 2. Flow Baffle and Vortex Spin Breaker Location

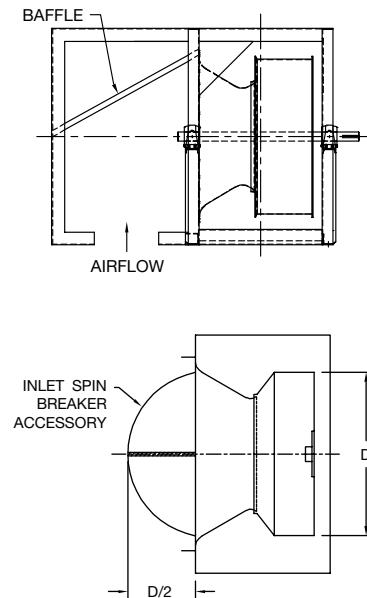
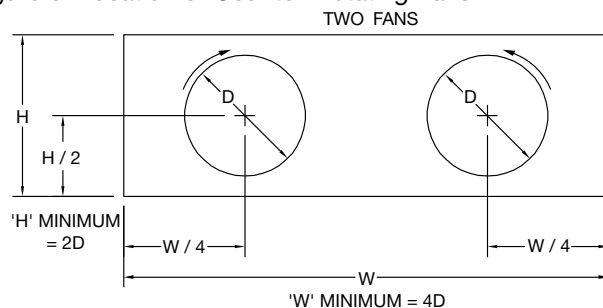
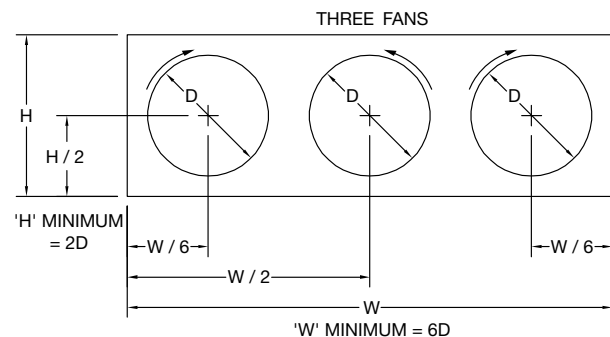


Figure 3. Location of Counter-Rotating Fans



NOTE: 'D' = Wheel diameter



### Maximum RPM, Wheel Weights, & WR<sup>2</sup> – CPLF and CPLFN

CPLF CPLFN	WHEEL DIA. (IN.)	CLASS I						CLASS II				CLASS III				
		MAX. RPM (70°F)	ALUMINUM		STEEL		MAX. RPM (70°F)	ALUMINUM		STEEL		MAX. RPM (70°F)	ALUMINUM		STEEL	
			WT. (LB)	WR <sup>2</sup> (LB-FT <sup>2</sup> )	WT. (LB)	WR <sup>2</sup> (LB-FT <sup>2</sup> )		WT. (LB)	WR <sup>2</sup> (LB-FT <sup>2</sup> )	WT. (LB)	WR <sup>2</sup> (LB-FT <sup>2</sup> )		WT. (LB)	WR <sup>2</sup> (LB-FT <sup>2</sup> )	WT. (LB)	WR <sup>2</sup> (LB-FT <sup>2</sup> )
122	12.40	3388	9	0.9	N/A	N/A	4000	9	0.9	N/A	N/A	N/A	N/A	N/A	N/A	N/A
150	13.98	3006	12	1.7	N/A	N/A	3909	12	1.7	N/A	N/A	N/A	N/A	N/A	N/A	N/A
165	15.75	2668	15	2.9	N/A	N/A	3468	15	2.9	N/A	N/A	N/A	N/A	N/A	N/A	N/A
182	18.25	2302	17	6.1	N/A	N/A	2930	18	6.1	N/A	N/A	3767	21	6.2	N/A	N/A
200	20.00	2101	21	6.4	N/A	N/A	2674	21	7.4	N/A	N/A	3438	24	9.3	N/A	N/A
222	22.25	1888	30	12	N/A	N/A	2403	30	12	N/A	N/A	3090	34	15	N/A	N/A
245	24.50	1715	35	21	N/A	N/A	2183	35	21	N/A	N/A	2806	38	22	N/A	N/A
270	27.00	1556	40	29	85	84	1981	40	29	97	93	2546	47	32	131	125
300	30.00	1401	49	46	103	120	1783	54	51	111	128	2291	58	52	153	178
330	33.00	1273	62	70	136	194	1620	67	76	154	215	2083	72	77	206	294
365	36.50	1151	73	103	157	273	1465	79	112	179	306	1884	84	114	237	409
402	40.25	1044	85	151	180	376	1329	93	165	209	429	1708	98	166	310	647
445	44.50	944	126	233	327	880	1202	135	253	351	932	1545	142	256	470	1255
490	49.00	857	164	391	366	1171	1091	164	391	395	1249	1403	174	535	535	1708
542	54.25	775	227	632	513	2048	986	227	632	653	2562	1267	239	673	696	2778
600	60.00	700	255	931	662	3224	891	255	931	750	3542	1146	270	991	801	3838
660	66.00	637	346	1377	953	5621	810	346	1377	1099	6510	1041	371	1478	1016	5910
730	73.00	576	412	2049	1076	7630	733	499	2671	1153	8058	942	550	2985	1318	9290
807	80.75	488	499	3008	1288	7766	637	574	3474	1397	8451	802	N/A	N/A	1617	10610
890	89.00	443	774	5652	1935	14129	578	884	6438	1940	14130	728	N/A	N/A	2353	18160

### Maximum RPM, Wheel Weights, & WR<sup>2</sup> – CPLQ and CPLQN

CPLQ CPLQN	WHEEL DIA. (IN.)	CLASS I						CLASS II				CLASS III				
		MAX. RPM (70°F)	ALUMINUM		STEEL		MAX. RPM (70°F)	ALUMINUM		STEEL		MAX. RPM (70°F)	ALUMINUM		STEEL	
			WT. (LB)	WR <sup>2</sup> (LB-FT <sup>2</sup> )	WT. (LB)	WR <sup>2</sup> (LB-FT <sup>2</sup> )		WT. (LB)	WR <sup>2</sup> (LB-FT <sup>2</sup> )	WT. (LB)	WR <sup>2</sup> (LB-FT <sup>2</sup> )		WT. (LB)	WR <sup>2</sup> (LB-FT <sup>2</sup> )	WT. (LB)	WR <sup>2</sup> (LB-FT <sup>2</sup> )
122	12.40	3388	10	2.1	N/A	N/A	4000	10	2.1	N/A	N/A	N/A	N/A	N/A	N/A	N/A
150	13.98	3006	13	3.3	N/A	N/A	3909	13	3.3	N/A	N/A	N/A	N/A	N/A	N/A	N/A
165	15.75	2668	17	5.2	N/A	N/A	3468	17	5.2	N/A	N/A	N/A	N/A	N/A	N/A	N/A
182	18.25	2302	20	7.2	N/A	N/A	2930	20	7.2	N/A	N/A	3767	23	7.4	N/A	N/A
200	20.00	2101	24	10	N/A	N/A	2674	24	8.4	N/A	N/A	3438	27	10	N/A	N/A
222	22.25	1888	34	14	N/A	N/A	2403	34	14	N/A	N/A	3090	38	17	N/A	N/A
245	24.50	1715	39	24	N/A	N/A	2183	39	24	N/A	N/A	2806	43	24	N/A	N/A
270	27.00	1556	46	35	96	94	1981	46	35	107	104	2546	53	38	142	135
300	30.00	1401	57	55	116	135	1783	61	59	124	144	2291	65	59	166	193
330	33.00	1273	72	81	151	216	1620	77	87	169	237	2083	82	88	222	316
365	36.50	1151	85	120	176	307	1465	91	129	199	340	1884	96	130	257	443
402	40.25	1044	99	176	203	425	1329	107	190	232	479	1708	112	190	345	721
445	44.50	944	141	274	356	955	1202	150	294	379	1007	1545	157	297	512	1367
490	49.00	857	183	451	400	1281	1091	183	451	429	1359	1403	200	481	586	1872
542	54.25	775	250	722	551	2213	986	250	722	716	2808	1267	262	763	759	3024
600	60.00	700	290	1058	740	3573	891	290	1058	824	3891	1146	305	1118	874	4188
660	66.00	637	380	1574	1047	6161	810	380	1574	1110	6450	1041	405	1675	1193	7050
730	73.00	576	454	2342	1191	8438	733	541	2964	1267	8865	942	592	3278	1433	10097
807	80.45	488	546	3415	1413	8837	637	645	4038	1521	9522	802	N/A	N/A	1784	12071
890	89.00	443	844	6395	2120	16062	578	989	7476	2125	16063	728	N/A	N/A	2556	20320

\*Consult factory for fans over 4000 RPM.

Contact factory for belt driven fans above 150 HP.

### Bare Fan Weights

SIZE	WHEEL DIA. (IN.)	ARR. 1 (CPLQN)			ARR. 3 (CPLQ)			ARR. 4 (CPLQN)		
		CL I	CL II	CL III	CL I	CL II	CL III	CL I	CL II	CL III
122	12.40	93	94	N/A	79	79	N/A	83	83	N/A
150	13.98	115	117	N/A	99	101	N/A	102	102	N/A
165	15.75	133	135	N/A	114	116	N/A	120	120	N/A
182	18.25	165	169	188	143	147	164	149	150	166
200	20.00	192	192	213	167	167	186	172	172	190
222	22.25	242	246	272	209	209	238	221	221	243
245	24.50	283	288	317	245	251	277	254	254	279
270	27.00	395	412	478	342	359	429	362	374	436
300	30.00	498	506	587	432	448	524	452	461	538
330	33.00	607	633	732	526	561	654	559	578	673
365	36.50	764	804	923	670	714	811	709	732	845
402	40.25	876	915	1096	762	814	986	808	838	1016
445	44.50	1291	1326	1551	1132	1183	1431	1204	1229	1452
490	49.00	1485	1527	1776	1289	1347	1633	1383	1413	1674
542	54.25	1834	2031	2183	1628	1813	1987	1725	1899	2059
600	60.00	2086	2204	2365	1904	2036	2231	1942	2030	2200
660	66.00	2619	2724	2932	2433	2558	2810	2085	2135	2343
730	73.00	2996	3117	3428	2848	2924	3283	N/A	N/A	N/A

**NOTES:**

- Arrangement 1 and 3 weights include an aluminum wheel on size 122 through 245, and a steel wheel on size 270 through 730.
- Arrangement 4 weights include an aluminum wheel on all sizes.
- Weights are for the 12-bladed wheel design (CPLQ and CPLQN). 9-bladed designs (CPLF and CPLFN) are slightly less and can be reduced by the difference between the wheel weights shown above.
- Weights do not include motor, drive, motor base, or slide base.

**CPLFN | Size 122 (9-Blade, Arr. 1 and 4)**

Wheel Diameter: 12.38"

Fan Efficiency Grade = FEG75

CFM	1" SP		2" SP		3" SP		4" SP		5" SP		6" SP		7" SP		8" SP		9" SP		10" SP		12" SP	
	RPM	BHP	RPM	BHP	RPM	BHP	RPM	BHP	RPM	BHP	RPM	BHP	RPM	BHP	RPM	BHP	RPM	BHP	RPM	BHP	RPM	BHP
1000	1660	0.25	2151	0.54																		
1100	1734	0.28	2182	0.57																		
1200	1811	0.31	2224	0.61	2630	0.98																
1400	1966	0.38	<u>2338</u>	0.70	2693	1.08	3039	1.51														
1600	2124	0.46	2486	0.81	<u>2792</u>	1.20	3103	1.65	3406	2.14												
1800	2291	0.55	2642	0.94	2924	1.35	3197	1.81	3473	2.31	3744	2.86										
2000	2466	0.65	2796	1.09	3076	1.53	3320	2.00	<u>3568</u>	2.51	3817	3.07										
2200	2647	0.77	2953	1.25	3232	1.73	3467	2.22	<u>3687</u>	2.74	3913	3.31										
2400	2831	0.90	3116	1.42	3386	1.94	3623	2.48	3831	3.02												
2800	3204	1.22	3462	1.81	3702	2.43	3931	3.03														
3200	3582	1.62	3824	2.28																		
3600	3966	2.12																				

**MAXIMUM RPM:** CLASS I = 3388 CLASS II = 4000 Outlet Area = 1.20 ft<sup>2</sup> Max. BHP = 0.055 x (RPM / 1000)<sup>3</sup>

**CPLF | Size 122 (9-Blade, Arr. 3)**

Wheel Diameter: 12.38"

Fan Efficiency Grade = FEG71

CFM	1" SP		2" SP		3" SP		4" SP		5" SP		6" SP		7" SP		8" SP		9" SP		10" SP		12" SP	
	RPM	BHP	RPM	BHP	RPM	BHP	RPM	BHP	RPM	BHP	RPM	BHP	RPM	BHP	RPM	BHP	RPM	BHP	RPM	BHP	RPM	BHP
1000	1699	0.27	2135	0.53																		
1100	1771	0.30	2189	0.58																		
1200	1848	0.33	2256	0.64	2605	0.97																
1400	2013	0.41	2392	0.76	<u>2715</u>	1.12	3013	1.50														
1600	2187	0.50	2538	0.87	2851	1.29	3125	1.71	3384	2.13												
1800	2367	0.60	2696	1.01	2991	1.46	3260	1.94	3501	2.40	3730	2.87	3968	3.39								
2000	2553	0.73	2864	1.17	3140	1.64	3397	2.16	3636	2.69	3854	3.20										
2200	2742	0.88	3038	1.34	3298	1.84	3542	2.39	3773	2.97	3990	3.55										
2400	2934	1.04	3216	1.55	3465	2.08	3696	2.64	3916	3.25												
2800	3326	1.44	3583	2.03	3814	2.62																
3200	3726	1.95	3962	2.62																		
3600																						

**MAXIMUM RPM:** CLASS I = 3388 CLASS II = 4000 Outlet Area = 1.20 ft<sup>2</sup> Max. BHP = 0.056 x (RPM / 1000)<sup>3</sup>

**CPLQN | Size 122 (12-Blade, Arr. 1 and 4)**

Wheel Diameter: 12.38"

Fan Efficiency Grade = FEG71

CFM	1" SP		2" SP		3" SP		4" SP		5" SP		6" SP		7" SP		8" SP		9" SP		10" SP		12" SP	
	RPM	BHP	RPM	BHP	RPM	BHP	RPM	BHP	RPM	BHP	RPM	BHP	RPM	BHP	RPM	BHP	RPM	BHP	RPM	BHP	RPM	BHP
1000	1644	0.27	2046	0.53																		
1100	1721	0.30	2106	0.58																		
1200	1799	0.34	<u>2173</u>	0.63	2494	0.96																
1400	1963	0.42	2315	0.75	2614	1.11	2886	1.49														
1600	2132	0.51	2468	0.89	2752	1.27	<u>3007</u>	1.68	3245	2.12												
1800	2302	0.61	2627	1.04	2899	1.47	3144	1.90	3370	2.37	3581	2.86	3795	3.38								
2000	2475	0.72	2792	1.20	3054	1.68	3289	2.16	3507	2.64	3711	3.16	3902	3.69								
2200	2654	0.86	2961	1.37	3214	1.90	3441	2.43	3650	2.95	3848	3.49										
2400	2839	1.01	3131	1.56	3378	2.14	3598	2.72	3802	3.30	3991	3.86										
2800	3222	1.40	3475	2.00	3717	2.67	3925	3.34														
3200	3616	1.91	3835	2.55																		
3600																						

**MAXIMUM RPM:** CLASS I = 3388 CLASS II = 4000 Outlet Area = 1.20 ft<sup>2</sup> Max. BHP = 0.062 x (RPM / 1000)<sup>3</sup>

**CPLQ | Size 122 (12-Blade, Arr. 3)**

Wheel Diameter: 12.38"

Fan Efficiency Grade = FEG71

CFM	1" SP		2" SP		3" SP		4" SP		5" SP		6" SP		7" SP		8" SP		9" SP		10" SP		12" SP	
	RPM	BHP	RPM	BHP	RPM	BHP	RPM	BHP	RPM	BHP	RPM	BHP	RPM	BHP	RPM	BHP	RPM	BHP	RPM	BHP	RPM	BHP
1000	1672	0.28	2076	0.55																		
1100	1752	0.31	<u>2137</u>	0.60																		
1200	1834	0.35	2206	0.66	2530	0.98																
1400	2006	0.44	2353	0.78	<u>2654</u>	1.14	2928	1.53														
1600	2185	0.54	2514	0.92	2795	1.32	3053	1.74	3292	2.18												
1800	2370	0.67	2681	1.08	2949	1.51	3193	1.98	3421	2.45	3634	2.94	3850	3.45								
2000	2560	0.82	2855	1.26	3112	1.73	3344	2.23	3561	2.74	3767	3.27	3960	3.80								
2200	2754	0.99	3034	1.47	3279	1.97	3504	2.50	3710	3.05	3907	3.62										
2400	2950	1.18	3216	1.70	3453	2.25	3668	2.81	3869	3.39												
2800	3347	1.66	3594	2.26	3811	2.88																
3200	3751	2.26	3981	2.96																		
3600																						

**MAXIMUM RPM:** CLASS I = 3388 CLASS II = 4000 Outlet Area = 1.20 ft<sup>2</sup> Max. BHP = 0.061 x (RPM / 1000)<sup>3</sup>

Class I = First white section  
 Class II = Blue shaded section  
 Underlined figures indicate Maximum Static Efficiency

Performance certified is for installation Type A; Free inlet, Free outlet.  
 Power rating (BHP) does not include transmission losses.  
 Performance ratings do not include the effects of appurtenances (accessories).  
 Performance based on a shaft height of 10.00" above the base on fan size 122.

**CPLFN | Size 150 (9-Blade, Arr. 1 and 4)**

Wheel Diameter: 14.00"

Fan Efficiency Grade = FEG75

CFM	1" SP		2" SP		3" SP		4" SP		5" SP		6" SP		7" SP		8" SP		9" SP		10" SP		12" SP	
	RPM	BHP	RPM	BHP	RPM	BHP	RPM	BHP	RPM	BHP	RPM	BHP	RPM	BHP	RPM	BHP	RPM	BHP	RPM	BHP	RPM	BHP
1200	1433	0.30																				
1400	1529	0.35	1928	0.73																		
1600	1637	0.42	1989	0.80	2336	1.28																
1800	1743	0.49	<u>2072</u>	<u>0.90</u>	2384	1.38	2689	1.94														
2200	1966	0.66	2281	1.14	<u>2535</u>	<u>1.65</u>	2791	2.22	3045	2.87	3293	3.56										
2600	2207	0.86	2495	1.42	2743	2.00	2956	2.60	<u>3171</u>	<u>3.26</u>	3388	3.98	<u>3602</u>	<u>4.74</u>	3812	5.55						
3000	2459	1.10	2716	1.75	2957	2.41	3166	3.07	<u>3352</u>	<u>3.76</u>	<u>3535</u>	<u>4.49</u>	<u>3723</u>	<u>5.28</u>								
3400	2716	1.40	2951	2.13	3173	2.87	3380	3.61	3565	4.37	3731	5.14	3892	5.94								
3800	2976	1.77	3198	2.57	3399	3.40	3595	4.22	3779	5.05												
4200	3239	2.20	3450	3.06	3637	3.98	3817	4.89														
4600	3505	2.71	3706	3.64	3883	4.62																
5000	3773	3.30																				

MAXIMUM RPM: CLASS I = 3006 CLASS II = 3909 Outlet Area = 1.54 ft<sup>2</sup> Max. BHP = 0.102 x (RPM / 1000)<sup>3</sup>

**CPLF | Size 150 (9-Blade, Arr. 3)**

Wheel Diameter: 14.00"

Fan Efficiency Grade = FEG67

CFM	1" SP		2" SP		3" SP		4" SP		5" SP		6" SP		7" SP		8" SP		9" SP		10" SP		12" SP	
	RPM	BHP	RPM	BHP	RPM	BHP	RPM	BHP	RPM	BHP	RPM	BHP	RPM	BHP	RPM	BHP	RPM	BHP	RPM	BHP	RPM	BHP
1200	1464	0.32																				
1400	1563	0.38	1933	0.74																		
1600	1670	0.45	2025	0.86	<u>2323</u>	<u>1.28</u>																
1800	1786	0.52	2120	0.97	<u>2406</u>	<u>1.44</u>	2667	1.92														
2200	2029	0.71	2327	1.21	2594	1.78	2835	2.36	<u>3051</u>	<u>2.93</u>	<u>3265</u>	<u>3.53</u>										
2600	2285	0.96	2558	1.53	2799	2.14	3025	2.81	3235	3.50	3427	4.17	<u>3608</u>	<u>4.84</u>	3789	5.54						
3000	2548	1.27	2801	1.90	3024	2.57	3231	3.29	3428	4.05	3615	4.85	3792	5.65								
3400	2818	1.65	<u>3052</u>	<u>2.36</u>	<u>3262</u>	<u>3.09</u>	3455	3.86	3637	4.67	3813	5.53										
3800	3092	2.10	3311	2.90	3508	3.70	3691	4.53	3862	5.40												
4200	3370	2.65	3576	3.53	3761	4.40																
4600	3650	3.28	3844	4.25																		
5000																						

MAXIMUM RPM: CLASS I = 3006 CLASS II = 3909 Outlet Area = 1.54 ft<sup>2</sup> Max. BHP = 0.104 x (RPM / 1000)<sup>3</sup>

**CPLQN | Size 150 (12-Blade, Arr. 1 and 4)**

Wheel Diameter: 14.00"

Fan Efficiency Grade = FEG71

CFM	1" SP		2" SP		3" SP		4" SP		5" SP		6" SP		7" SP		8" SP		9" SP		10" SP		12" SP	
	RPM	BHP	RPM	BHP	RPM	BHP	RPM	BHP	RPM	BHP	RPM	BHP	RPM	BHP	RPM	BHP	RPM	BHP	RPM	BHP	RPM	BHP
1200	1414	0.32	1786	0.65																		
1400	1518	0.39	1859	0.74																		
1600	1627	0.46	<u>1953</u>	<u>0.85</u>	<u>2228</u>	<u>1.27</u>																
1800	1741	0.54	2052	0.97	<u>2316</u>	<u>1.42</u>	2555	1.92														
2200	1976	0.72	2266	1.25	2511	1.78	2732	2.32	<u>2933</u>	<u>2.90</u>	3128	3.51										
2600	2215	0.95	2494	1.57	2724	2.20	2930	2.82	<u>3121</u>	<u>3.44</u>	3301	4.11	<u>3469</u>	<u>4.80</u>	3634	5.52	3802	6.28				
3000	2466	1.24	2728	1.93	2948	2.65	3144	3.38	3325	4.10	3494	4.81	<u>3657</u>	<u>5.55</u>	3811	6.32						
3400	2729	1.60	2965	2.35	3180	3.16	3367	3.98	3540	4.81	3703	5.63	3856	6.43								
3800	2998	2.05	3207	2.84	3416	3.74	3598	4.64	3764	5.56												
4200	<u>3272</u>	<u>2.59</u>	3460	3.43	3652	4.38	3833	5.38														
4600			3721	4.13	3895	5.12																
5000																						

MAXIMUM RPM: CLASS I = 3006 CLASS II = 3909 Outlet Area = 1.54 ft<sup>2</sup> Max. BHP = 0.115 x (RPM / 1000)<sup>3</sup>

**CPLQ | Size 150 (12-Blade, Arr. 3)**

Wheel Diameter: 14.00"

Fan Efficiency Grade = FEG67

CFM	1" SP		2" SP		3" SP		4" SP		5" SP		6" SP		7" SP		8" SP		9" SP		10" SP		12" SP	
	RPM	BHP	RPM	BHP	RPM	BHP	RPM	BHP	RPM	BHP	RPM	BHP	RPM	BHP	RPM	BHP	RPM	BHP	RPM	BHP	RPM	BHP
1200	1437	0.33																				
1400	1545	0.40	<u>1887</u>	<u>0.76</u>																		
1600	1660	0.48	1983	0.88	2261	1.31																
1800	1780	0.57	2086	1.00	<u>2351</u>	<u>1.47</u>	2593	1.96														
2200	2030	0.79	2311	1.29	2553	1.83	2774	2.41	2977	2.99	3174	3.60										
2600	2292	1.08	2550	1.65	2776	2.26	2980	2.90	3170	3.57	<u>3351</u>	<u>4.25</u>	<u>3521</u>	<u>4.95</u>	<u>3687</u>	<u>5.66</u>	3858	6.42				
3000	2561	1.44	2800	2.09	3011	2.77	3204	3.48	3383	4.22	3551	4.97	<u>3713</u>	<u>5.75</u>	<u>3869</u>	<u>6.55</u>						
3400	2835	1.89	<u>3059</u>	<u>2.62</u>	<u>3257</u>	<u>3.38</u>	3438	4.15	3608	4.95	3769	5.78										
3800	3112	2.43	3324	3.25	3510	4.08	3682	4.93	3844	5.80												
4200	3393	3.08	3593	3.99	3770	4.90																
4600	3676	3.84	3866	4.84																		
5000																						

MAXIMUM RPM: CLASS I = 3006 CLASS II = 3909 Outlet Area = 1.54 ft<sup>2</sup> Max. BHP = 0.113 x (RPM / 1000)<sup>3</sup>

Class I = First white section  
 Class II = Blue shaded section  
 Underlined figures indicate Maximum Static Efficiency

Performance certified is for installation Type A; Free inlet, Free outlet.  
 Power rating (BHP) does not include transmission losses.  
 Performance ratings do not include the effects of appurtenances (accessories).  
 Performance based on a shaft height of 11.31" above the base on fan size 150.

**CPLFN | Size 165 (9-Blade, Arr. 1 and 4)**

Wheel Diameter: 15.75"

Fan Efficiency Grade = FEG71

CFM	1" SP		2" SP		3" SP		4" SP		5" SP		6" SP		7" SP		8" SP		9" SP		10" SP		12" SP	
	RPM	BHP	RPM	BHP	RPM	BHP	RPM	BHP	RPM	BHP	RPM	BHP	RPM	BHP	RPM	BHP	RPM	BHP	RPM	BHP	RPM	BHP
1500	1268	0.37																				
1700	1333	0.43	1702	0.90																		
1900	1408	0.49	1739	0.97																		
2100	1483	0.55	1788	1.05	2087	1.66																
2500	1634	0.71	1920	1.26	2170	1.88	2422	2.60	2668	3.39												
2900	1795	0.88	2071	1.52	2293	2.18	2509	2.91	2728	3.73	2941	4.61										
3300	1966	1.09	2221	1.81	2442	2.54	2631	3.30	2821	4.13	3013	5.04	3203	6.01	3390	7.04						
3700	2142	1.33	2376	2.14	2592	2.94	2778	3.77	2945	4.62	3114	5.55	3286	6.54	3456	7.59						
4500	2504	1.95	2708	2.90	2897	3.88	3078	4.86	3243	5.86	3390	6.87										
5300	2872	2.77	3060	3.86	3226	5.01	3387	6.16														
6100	3246	3.83	3421	5.05																		
6900																						

**MAXIMUM RPM:** CLASS I = 2668 CLASS II = 3468 **Outlet Area** = 1.94 ft<sup>2</sup> **Max. BHP** = 0.185 x (RPM / 1000)<sup>3</sup>

**CPLF | Size 165 (9-Blade, Arr. 3)**

Wheel Diameter: 15.75"

Fan Efficiency Grade = FEG67

CFM	1" SP		2" SP		3" SP		4" SP		5" SP		6" SP		7" SP		8" SP		9" SP		10" SP		12" SP	
	RPM	BHP	RPM	BHP	RPM	BHP	RPM	BHP	RPM	BHP	RPM	BHP	RPM	BHP	RPM	BHP	RPM	BHP	RPM	BHP	RPM	BHP
1500	1295	0.40																				
1700	1363	0.46	1698	0.90																		
1900	1437	0.52	1759	1.02	2041	1.54																
2100	1515	0.59	1825	1.13	2084	1.67																
2500	1681	0.76	1962	1.35	2212	2.02	2428	2.66	2642	3.35												
2900	1855	0.97	2114	1.62	2346	2.35	2558	3.12	2747	3.86	2929	4.63										
3300	2035	1.22	2278	1.94	2492	2.71	2692	3.56	2879	4.44	3050	5.30	3210	6.14	3370	7.03						
3700	2220	1.53	2448	2.31	2649	3.15	2836	4.04	3013	4.99	3181	5.98	3339	6.95								
4500	2599	2.30	2802	3.24	2984	4.20	3151	5.20	3309	6.25	3461	7.35										
5300	2988	3.33	3171	4.44	3336	5.54																
6100	3383	4.65																				
6900																						

**MAXIMUM RPM:** CLASS I = 2668 CLASS II = 3468 **Outlet Area** = 1.94 ft<sup>2</sup> **Max. BHP** = 0.187 x (RPM / 1000)<sup>3</sup>

**CPLQN | Size 165 (12-Blade, Arr. 1 and 4)**

Wheel Diameter: 15.75"

Fan Efficiency Grade = FEG67

CFM	1" SP		2" SP		3" SP		4" SP		5" SP		6" SP		7" SP		8" SP		9" SP		10" SP		12" SP	
	RPM	BHP	RPM	BHP	RPM	BHP	RPM	BHP	RPM	BHP	RPM	BHP	RPM	BHP	RPM	BHP	RPM	BHP	RPM	BHP	RPM	BHP
1500	1250	0.40																				
1700	1322	0.46	1630	0.90																		
1900	1398	0.54	1694	1.00	1951	1.53																
2100	1476	0.61	1761	1.11	2002	1.66																
2500	1638	0.78	1906	1.38	2133	1.98	2335	2.64	2529	3.34												
2900	1804	0.97	2060	1.67	2274	2.37	2467	3.07	2644	3.82	2811	4.60	2980	5.45								
3300	1972	1.21	2220	1.99	2425	2.79	2608	3.58	2778	4.37	2938	5.22	3087	6.09	3232	7.00	3381	7.96				
3700	2148	1.49	2385	2.35	2581	3.24	2758	4.14	2920	5.02	3072	5.90	3218	6.83	3355	7.79						
4500	2518	2.24	2718	3.21	2908	4.27	3072	5.35	3223	6.45	3366	7.54										
5300	2901	3.26	3068	4.32	3240	5.52	3401	6.78														
6100			3437	5.77																		
6900																						

**MAXIMUM RPM:** CLASS I = 2668 CLASS II = 3468 **Outlet Area** = 1.94 ft<sup>2</sup> **Max. BHP** = 0.207 x (RPM / 1000)<sup>3</sup>

**CPLQ | Size 165 (12-Blade, Arr. 3)**

Wheel Diameter: 15.75"

Fan Efficiency Grade = FEG67

CFM	1" SP		2" SP		3" SP		4" SP		5" SP		6" SP		7" SP		8" SP		9" SP		10" SP		12" SP	
	RPM	BHP	RPM	BHP	RPM	BHP	RPM	BHP	RPM	BHP	RPM	BHP	RPM	BHP	RPM	BHP	RPM	BHP	RPM	BHP	RPM	BHP
1500	1270	0.41																				
1700	1345	0.48	1654	0.92																		
1900	1425	0.55	1720	1.04	1980	1.56																
2100	1507	0.63	1789	1.15	2032	1.71																
2500	1678	0.83	1940	1.42	2165	2.05	2370	2.72	2566	3.42												
2900	1857	1.07	2102	1.73	2313	2.44	2505	3.18	2684	3.95	2852	4.73	3024	5.57								
3300	2042	1.37	2271	2.10	2471	2.87	2652	3.68	2821	4.53	2982	5.40	3133	6.28	3280	7.19	3431	8.14				
3700	2231	1.73	2446	2.54	2636	3.38	2809	4.26	2969	5.17	3121	6.11	3267	7.08	3406	8.06						
4500	2616	2.64	2810	3.61	2982	4.60	3140	5.62	3288	6.67	3428	7.75										
5300	3008	3.86	3187	5.02	3344	6.17																
6100	3407	5.46																				
6900																						

**MAXIMUM RPM:** CLASS I = 2668 CLASS II = 3468 **Outlet Area** = 1.94 ft<sup>2</sup> **Max. BHP** = 0.204 x (RPM / 1000)<sup>3</sup>

Class I = First white section  
 Class II = Blue shaded section  
 Underlined figures indicate Maximum Static Efficiency

Performance certified is for installation Type A; Free inlet, Free outlet.  
 Power rating (BHP) does not include transmission losses.  
 Performance ratings do not include the effects of appurtenances (accessories).  
 Performance based on a shaft height of 12.72" above the base on fan size 165.

CPLFN | Size 182 (9-Blade, Arr. 1 and 4)

Wheel Diameter: 18.25"

Fan Efficiency Grade = FEG80

Table with 12 columns (CFM, 1" SP, 2" SP, 3" SP, 4" SP, 5" SP, 6" SP, 7" SP, 8" SP, 9" SP, 10" SP, 12" SP) and 12 rows of data. Each cell contains RPM and BHP values.

MAXIMUM RPM: CLASS I = 2302 CLASS II = 2930 CLASS III = 3767 Outlet Area = 2.59 ft² Max. BHP = 0.444 x (RPM / 1000)³

CPLF | Size 182 (9-Blade, Arr. 3)

Wheel Diameter: 18.25"

Fan Efficiency Grade = FEG75

Table with 12 columns (CFM, 1" SP, 2" SP, 3" SP, 4" SP, 5" SP, 6" SP, 7" SP, 8" SP, 9" SP, 10" SP, 12" SP) and 12 rows of data. Each cell contains RPM and BHP values.

MAXIMUM RPM: CLASS I = 2302 CLASS II = 2930 CLASS III = 3767 Outlet Area = 2.59 ft² Max. BHP = 0.443 x (RPM / 1000)³

CPLQN | Size 182 (12-Blade, Arr. 1 and 4)

Wheel Diameter: 18.25"

Fan Efficiency Grade = FEG75

Table with 12 columns (CFM, 1" SP, 2" SP, 3" SP, 4" SP, 5" SP, 6" SP, 7" SP, 8" SP, 9" SP, 10" SP, 12" SP) and 12 rows of data. Each cell contains RPM and BHP values.

MAXIMUM RPM: CLASS I = 2302 CLASS II = 2930 CLASS III = 3767 Outlet Area = 2.59 ft² Max. BHP = 0.458 x (RPM / 1000)³

CPLQ | Size 182 (12-Blade, Arr. 3)

Wheel Diameter: 18.25"

Fan Efficiency Grade = FEG75

Table with 12 columns (CFM, 1" SP, 2" SP, 3" SP, 4" SP, 5" SP, 6" SP, 7" SP, 8" SP, 9" SP, 10" SP, 12" SP) and 12 rows of data. Each cell contains RPM and BHP values.

MAXIMUM RPM: CLASS I = 2302 CLASS II = 2930 CLASS III = 3767 Outlet Area = 2.59 ft² Max. BHP = 0.455 x (RPM / 1000)³

Class I = First white section
Class II = Blue shaded section
Class III = Bolded section after blue section
Underlined figures indicate Maximum Static Efficiency

Performance certified is for installation Type A; Free inlet, Free outlet.
Power rating (BHP) does not include transmission losses.
Performance ratings do not include the effects of appurtenances (accessories).
Performance based on a shaft height of 13.00" above the base on fan size 182.



**CPLFN | Size 200 (9-Blade, Arr. 1 and 4)**

Wheel Diameter: 20.00"

Fan Efficiency Grade = FEG80

CFM	1" SP		2" SP		3" SP		4" SP		5" SP		6" SP		7" SP		8" SP		9" SP		10" SP		12" SP	
	RPM	BHP	RPM	BHP	RPM	BHP	RPM	BHP	RPM	BHP	RPM	BHP	RPM	BHP	RPM	BHP	RPM	BHP	RPM	BHP	RPM	BHP
3000	991	0.68																				
3400	1042	0.79	1305	1.54																		
3800	1096	0.90	1348	1.72																		
4200	1155	1.03	1396	1.91	1601	2.86																
4600	1216	1.17	1446	2.11	1645	3.12																
5400	1344	1.51	1554	2.56	1741	3.69	1910	4.88	2065	6.12												
6200	1477	1.91	1672	3.09	1846	4.34	2006	5.65	2155	7.02	2291	8.40										
7000	1614	2.38	1798	3.72	1959	5.07	2110	6.50	2252	7.99	2385	9.51	2509	11.07	2629	12.67						
7800	1756	2.95	1927	4.42	2080	5.91	2221	7.45	2355	9.04	2488	10.70	2605	12.39	2720	14.11	2829	15.85	2936	17.64		
9400	2047	4.38	2197	6.12	2335	7.90	2463	9.70	2583	11.52	2698	13.39	2810	15.32	2918	17.30	3022	19.30	3123	21.35		
11000	2346	6.28	2478	8.29	2603	10.36	2721	12.45	2832	14.55	2937	16.66	3038	18.80	3137	20.99	3233	23.23	3327	25.51		
12600			2767	11.01	2880	13.34	2988	15.71	3091	18.10	3190	20.51	3285	22.93	3376	25.36						

**MAXIMUM RPM:** CLASS I = 2101 CLASS II = 2674 CLASS III = 3438 **Outlet Area** = 3.11 ft<sup>2</sup> **Max. BHP** = 0.701 x (RPM / 1000)<sup>3</sup>

**CPLF | Size 200 (9-Blade, Arr. 3)**

Wheel Diameter: 20.00"

Fan Efficiency Grade = FEG75

CFM	1" SP		2" SP		3" SP		4" SP		5" SP		6" SP		7" SP		8" SP		9" SP		10" SP		12" SP	
	RPM	BHP	RPM	BHP	RPM	BHP	RPM	BHP	RPM	BHP	RPM	BHP	RPM	BHP	RPM	BHP	RPM	BHP	RPM	BHP	RPM	BHP
3000	1004	0.71	1295	1.44																		
3400	1061	0.82	1326	1.60	1572	2.50																
3800	1123	0.96	1366	1.78	1595	2.71	1810	3.76														
4200	1189	1.11	1415	1.98	1627	2.96	1829	4.03	2021	5.21												
4600	1257	1.27	1470	2.20	1667	3.23	1858	4.34	2040	5.55	2214	6.85										
5400	1394	1.66	1592	2.72	1767	3.84	1934	5.06	2098	6.34	2258	7.70	2411	9.14	2560	10.67						
6200	1533	2.11	1725	3.34	1885	4.58	2036	5.88	2181	7.26	2325	8.71	2467	10.22	2604	11.79	2738	13.45	2869	15.17		
7000	1679	2.67	1862	4.05	2013	5.42	2152	6.84	2286	8.32	2415	9.86	2543	11.47	2670	13.13	2794	14.83	2917	16.62		
7800	1831	3.34	1999	4.85	2148	6.39	2278	7.93	2402	9.51	2523	11.17	2639	12.86	2754	14.61	2869	16.43	2982	18.28		
9400	2144	5.09	2282	6.81	2422	8.68	2548	10.54	2659	12.37	2765	14.23	2868	16.14	2970	18.12	3068	20.12	3164	22.15		
11000			2583	9.40	2703	11.48	2822	13.67	2933	15.86	3033	18.02	3126	20.15	3216	22.32	3305	24.55	3393	26.82		
12600			2895	12.71	2998	15.00	3102	17.40	3207	19.91	3307	22.44	3399	24.93								

**MAXIMUM RPM:** CLASS I = 2101 CLASS II = 2674 CLASS III = 3438 **Outlet Area** = 3.11 ft<sup>2</sup> **Max. BHP** = 0.700 x (RPM / 1000)<sup>3</sup>

**CPLQN | Size 200 (12-Blade, Arr. 1 and 4)**

Wheel Diameter: 20.00"

Fan Efficiency Grade = FEG75

CFM	1" SP		2" SP		3" SP		4" SP		5" SP		6" SP		7" SP		8" SP		9" SP		10" SP		12" SP	
	RPM	BHP	RPM	BHP	RPM	BHP	RPM	BHP	RPM	BHP	RPM	BHP	RPM	BHP	RPM	BHP	RPM	BHP	RPM	BHP	RPM	BHP
3000	997	0.71	1259	1.43																		
3400	1056	0.82	1300	1.59																		
3800	1119	0.95	1350	1.78	1553	2.70																
4200	1185	1.09	1403	1.97	1597	2.95	1777	4.00														
4600	1253	1.24	1462	2.20	1646	3.22	1815	4.33														
5400	1394	1.61	1586	2.69	1756	3.84	1912	5.05	2059	6.32	2198	7.65										
6200	1540	2.06	1720	3.27	1876	4.54	2022	5.87	2159	7.25	2290	8.70	2414	10.19	2535	11.72						
7000	1691	2.60	1858	3.95	2006	5.34	2142	6.80	2271	8.30	2393	9.85	2511	11.45	2624	13.09	2733	14.78	2841	16.53		
7800	1847	3.25	2001	4.73	2142	6.26	2270	7.84	2391	9.46	2507	11.13	2617	12.83	2725	14.59	2830	16.40	2931	18.24	3125	22.04
9400	2165	4.91	2297	6.65	2423	8.45	2541	10.29	2651	12.17	2755	14.08	2855	16.03	2953	18.03	3047	20.05	3139	22.11	3317	26.35
11000			2605	9.14	2716	11.20	2824	13.31	2926	15.45	3023	17.62	3116	19.84	3205	22.08	3291	24.33	3376	26.65		
12600			2922	12.29	3021	14.62	3118	16.99	3212	19.40	3303	21.85	3390	24.32								

**MAXIMUM RPM:** CLASS I = 2101 CLASS II = 2674 CLASS III = 3438 **Outlet Area** = 3.11 ft<sup>2</sup> **Max. BHP** = 0.724 x (RPM / 1000)<sup>3</sup>

**CPLQ | Size 200 (12-Blade, Arr. 3)**

Wheel Diameter: 20.00"

Fan Efficiency Grade = FEG75

CFM	1" SP		2" SP		3" SP		4" SP		5" SP		6" SP		7" SP		8" SP		9" SP		10" SP		12" SP	
	RPM	BHP	RPM	BHP	RPM	BHP	RPM	BHP	RPM	BHP	RPM	BHP	RPM	BHP	RPM	BHP	RPM	BHP	RPM	BHP	RPM	BHP
3000	1009	0.74	1266	1.43																		
3400	1070	0.87	1311	1.61	1529	2.46																
3800	1134	1.00	1363	1.82	1563	2.70																
4200	1202	1.15	1420	2.06	1610	2.99	1786	4.00														
4600	1273	1.32	1481	2.31	1662	3.30	1829	4.36	1989	5.50												
5400	1425	1.74	1609	2.84	1778	4.02	1931	5.18	2076	6.40	2213	7.68	2350	9.04								
6200	1584	2.28	1745	3.45	1903	4.80	2048	6.15	2181	7.47	2310	8.85	2433	10.28	2552	11.77	2671	13.33	2792	14.96		
7000	1745	2.94	1893	4.21	2035	5.64	2172	7.19	2300	8.71	2419	10.19	2535	11.71	2647	13.29	2755	14.92	2861	16.61	3071	20.12
7800	1908	3.72	2047	5.13	2175	6.61	2302	8.27	2424	10.00	2540	11.71	2648	13.35	2753	15.02	2856	16.74	2956	18.51	3148	22.17
9400	2239	5.72	2367	7.45	2478	9.15	2583	10.91	2689	12.82	2794	14.87	2896	16.97	2993	19.02	3087	21.05	3177	23.05	3351	27.07
11000	2576	8.41	2692	10.45	2796	12.46	2889	14.43	2980	16.48	3070	18.62	3161	20.91	3250	23.29	3338	25.74	3424	28.20		
12600			3022	14.25	3119	16.57	3208	18.87	3290	21.13	3369	23.43										

**MAXIMUM RPM:** CLASS I = 2101 CLASS II = 2674 CLASS III = 3438 **Outlet Area** = 3.11 ft<sup>2</sup> **Max. BHP** = 0.718 x (RPM / 1000)<sup>3</sup>

Class I = First white section  
 Class II = Blue shaded section  
 Class III = Bolded section after blue section  
 Underlined figures indicate Maximum Static Efficiency  
 Performance certified is for installation Type A; Free inlet, Free outlet.  
 Power rating (BHP) does not include transmission losses.  
 Performance ratings do not include the effects of appurtenances (accessories).  
 Performance based on a shaft height of 14.25" above the base on fan size 200.

### CPLFN | Size 222 (9-Blade, Arr. 1 and 4) Wheel Diameter: 22.25" Fan Efficiency Grade = FEG80

CFM	1" SP		2" SP		3" SP		4" SP		5" SP		6" SP		7" SP		8" SP		9" SP		10" SP		12" SP	
	RPM	BHP	RPM	BHP	RPM	BHP	RPM	BHP	RPM	BHP	RPM	BHP	RPM	BHP	RPM	BHP	RPM	BHP	RPM	BHP	RPM	BHP
3500	856	0.76																				
4000	900	0.88																				
4500	947	1.01	1172	1.93																		
5000	998	1.16	1215	2.16	1399	3.22																
6000	1106	1.48	1305	2.66	1477	3.88	1630	5.13														
7000	1221	1.88	1403	3.22	1565	4.61	1712	6.05	1843	7.47												
8000	1340	2.36	1510	3.85	1661	5.42	1800	7.02	1929	8.66	2046	10.27	2160	11.96								
9000	1464	2.93	1622	4.58	1763	6.30	1895	8.08	2018	9.89	2134	11.73	2241	13.54	2343	15.39	2444	17.31				
10000	1590	3.61	1738	5.41	1872	7.29	1995	9.23	2112	11.20	2223	13.20	2329	15.24	2429	17.28	2524	19.32	2615	21.37		
12000	1849	5.30	1980	7.43	2100	9.62	2212	11.87	2317	14.17	2418	16.51	2515	18.87	2609	21.27	2700	23.69	2788	26.14		
14000	2114	7.54	2231	10.00	2339	12.50	2441	15.05	2538	17.65	2631	20.32	2720	23.02	2807	25.77	2891	28.52	2973	31.30		
16000			2488	13.19	2587	16.03	2681	18.90	2770	21.80	2857	24.78	2940	27.79	3020	30.84						

**MAXIMUM RPM:** CLASS I = 1888 CLASS II = 2403 CLASS III = 3090 **Outlet Area** = 3.84 ft<sup>2</sup> **Max. BHP** = 1.207 x (RPM / 1000)<sup>3</sup>

### CPLF | Size 222 (9-Blade, Arr. 3) Wheel Diameter: 22.25" Fan Efficiency Grade = FEG75

CFM	1" SP		2" SP		3" SP		4" SP		5" SP		6" SP		7" SP		8" SP		9" SP		10" SP		12" SP	
	RPM	BHP	RPM	BHP	RPM	BHP	RPM	BHP	RPM	BHP	RPM	BHP	RPM	BHP	RPM	BHP	RPM	BHP	RPM	BHP	RPM	BHP
3500	868	0.79	1130	1.61																		
4000	912	0.92	1156	1.82																		
4500	962	1.06	1191	2.03	1393	3.09																
5000	1016	1.22	1231	2.26	1422	3.40	1600	4.61														
6000	1133	1.60	1324	2.79	1498	4.07	1657	5.43	1809	6.86	1954	8.31										
7000	1256	2.07	1429	3.40	1587	4.83	1735	6.33	1874	7.91	2006	9.53	2135	11.22	2259	12.90						
8000	1383	2.64	1544	4.13	1688	5.70	1825	7.34	1955	9.06	2078	10.83	2196	12.65	2311	14.54	2424	16.47	2533	18.38		
9000	1514	3.33	1665	4.98	1798	6.69	1924	8.48	2046	10.34	2162	12.25	2274	14.23	2381	16.25	2485	18.31	2587	20.43		
10000	1647	4.14	1788	5.95	1915	7.83	2032	9.76	2145	11.76	2254	13.81	2360	15.93	2463	18.11	2562	20.33	2657	22.56		
12000	1917	6.20	2046	8.37	2159	10.55	2266	12.81	2365	15.09	2461	17.43	2555	19.83	2648	22.30	2737	24.78	2825	27.32		
14000	2192	8.92	2310	11.46	2415	14.00	2511	16.54	2604	19.16	2692	21.82	2776	24.50	2858	27.23	2939	30.02	3019	32.85		
16000			2579	15.34	2677	18.24	2767	21.14	2852	24.06	2934	27.02	3013	30.03	3088	33.04						

**MAXIMUM RPM:** CLASS I = 1888 CLASS II = 2403 CLASS III = 3090 **Outlet Area** = 3.84 ft<sup>2</sup> **Max. BHP** = 1.214 x (RPM / 1000)<sup>3</sup>

### CPLQN | Size 222 (12-Blade, Arr. 1 and 4) Wheel Diameter: 22.25" Fan Efficiency Grade = FEG80

CFM	1" SP		2" SP		3" SP		4" SP		5" SP		6" SP		7" SP		8" SP		9" SP		10" SP		12" SP	
	RPM	BHP	RPM	BHP	RPM	BHP	RPM	BHP	RPM	BHP	RPM	BHP	RPM	BHP	RPM	BHP	RPM	BHP	RPM	BHP	RPM	BHP
3500	848	0.78																				
4000	901	0.92	1122	1.79																		
4500	956	1.06	1158	2.00	1354	3.07																
5000	1015	1.23	1204	2.24	1381	3.35																
6000	1139	1.62	1312	2.80	1463	4.02	1610	5.35	1757	6.78												
7000	1270	2.11	1427	3.43	1568	4.83	1696	6.26	1822	7.78	1948	9.40	2074	11.11								
8000	1406	2.72	1549	4.18	1680	5.73	1802	7.34	1914	8.97	2023	10.66	2134	12.46	2244	14.34	2354	16.28				
9000	1545	3.44	1677	5.06	1799	6.76	1913	8.53	2020	10.33	2121	12.16	2218	14.03	2316	15.99	2415	18.04	2512	20.14	2709	24.59
10000	1686	4.29	1810	6.10	1922	7.92	2030	9.85	2131	11.81	2229	13.83	2320	15.84	2409	17.91	2496	20.01	2584	22.20	2761	26.81
12000	1972	6.43	2084	8.64	2183	10.78	2277	12.97	2369	15.25	2456	17.57	2541	19.94	2623	22.34	2702	24.75	2778	27.18	2925	32.12
14000			2364	11.87	2455	14.40	2540	16.92	2622	19.47	2701	22.07	2778	24.73	2853	27.44	2927	30.21				
16000			2649	15.90	2733	18.83	2812	21.73	2887	24.62	2959	27.51	3029	30.44								

**MAXIMUM RPM:** CLASS I = 1888 CLASS II = 2403 CLASS III = 3090 **Outlet Area** = 3.84 ft<sup>2</sup> **Max. BHP** = 1.287 x (RPM / 1000)<sup>3</sup>

### CPLQ | Size 222 (12-Blade, Arr. 3) Wheel Diameter: 22.25" Fan Efficiency Grade = FEG75

CFM	1" SP		2" SP		3" SP		4" SP		5" SP		6" SP		7" SP		8" SP		9" SP		10" SP		12" SP	
	RPM	BHP	RPM	BHP	RPM	BHP	RPM	BHP	RPM	BHP	RPM	BHP	RPM	BHP	RPM	BHP	RPM	BHP	RPM	BHP	RPM	BHP
3500	862	0.82	1099	1.61																		
4000	917	0.96	1131	1.83																		
4500	974	1.12	1174	2.07	1358	3.09																
5000	1034	1.30	1224	2.34	1394	3.43	1557	4.60														
6000	1162	1.74	1336	2.94	1486	4.19	1628	5.50	1765	6.86	1901	8.31										
7000	1299	2.29	1454	3.63	1596	5.06	1724	6.53	1846	8.05	1965	9.60	2082	11.21	2198	12.90						
8000	1441	2.98	1580	4.46	1712	6.05	1834	7.70	1945	9.36	2053	11.08	2159	12.84	2263	14.64	2365	16.47	2467	18.39		
9000	1585	3.81	1713	5.44	1834	7.17	1949	8.99	2056	10.83	2157	12.72	2253	14.62	2349	16.60	2442	18.57	2534	20.58	2715	24.73
10000	1729	4.79	1852	6.61	1961	8.46	2069	10.43	2172	12.46	2269	14.52	2360	16.58	2448	18.69	2534	20.82	2620	23.02	2788	27.47
12000	2022	7.27	2136	9.51	2233	11.68	2325	13.90	2415	16.20	2504	18.61	2589	21.03	2672	23.51	2750	25.96	2826	28.45	2972	33.51
14000	2318	10.56	2425	13.25	2517	15.83	2599	18.35	2677	20.90	2755	23.54	2833	26.28	2909	29.08	2982	31.88	3054	34.74		
16000			2716	17.91	2804	20.93	2882	23.85	2954	26.73	3024	29.65										

**MAXIMUM RPM:** CLASS I = 1888 CLASS II = 2403 CLASS III = 3090 **Outlet Area** = 3.84 ft<sup>2</sup> **Max. BHP** = 1.281 x (RPM / 1000)<sup>3</sup>

Class I = First white section  
 Class II = Blue shaded section  
 Class III = Bolded section after blue section  
 Underlined figures indicate Maximum Static Efficiency

Performance certified is for installation Type A; Free inlet, Free outlet.  
 Power rating (BHP) does not include transmission losses.  
 Performance ratings do not include the effects of appurtenances (accessories).  
 Performance based on a shaft height of 16.00" above the base on fan size 222.

**CPLFN | Size 245 (9-Blade, Arr. 1 and 4)**

Wheel Diameter: 24.50"

Fan Efficiency Grade = FEG85

CFM	1" SP		2" SP		3" SP		4" SP		5" SP		6" SP		7" SP		8" SP		9" SP		10" SP		12" SP	
	RPM	BHP	RPM	BHP	RPM	BHP	RPM	BHP	RPM	BHP	RPM	BHP	RPM	BHP	RPM	BHP	RPM	BHP	RPM	BHP	RPM	BHP
4400	790	0.93	1021	1.92																		
5000	831	1.07	1047	2.13																		
5600	877	1.23	1079	2.36	1258	3.63																
6200	926	1.41	1115	2.60	1286	3.96	1442	5.40														
7400	1031	1.83	1200	3.18	1354	4.67	1497	6.27	1632	7.96	1759	9.73										
8600	1140	2.35	1295	3.87	1435	5.49	1567	7.23	1691	9.06	1810	10.99	1924	13.00	2034	15.08						
9800	1250	2.95	1399	4.68	1526	6.44	1648	8.33	1763	10.30	1874	12.37	1981	14.52	2084	16.74	2184	19.03	2281	21.39		
11000	1364	3.67	1506	5.61	1626	7.55	1738	9.58	1845	11.69	1949	13.89	2049	16.18	2146	18.54	2240	20.97	2332	23.48		
12200	1481	4.53	1615	6.66	1731	8.81	1835	10.99	1935	13.24	2032	15.58	2126	18.00	2218	20.51	2307	23.08	2394	25.73		
14600	1720	6.71	1838	9.19	1947	11.77	2045	14.36	2134	16.93	2219	19.55	2302	22.25	2384	25.03	2464	27.87	2543	30.80		
17000	1966	9.63	2069	12.41	2168	15.36	2261	18.38	2347	21.40	2426	24.38	2501	27.39	2574	30.45	2646	33.58	2717	36.78		
19400			2307	16.50	2396	19.76	2482	23.15	2564	26.61	2641	30.05	2713	33.47	2781	36.87						

 MAXIMUM RPM: CLASS I = 1715 CLASS II = 2183 CLASS III = 2806 Outlet Area = 4.66 ft<sup>2</sup> Max. BHP = 1.88 x (RPM / 1000)<sup>3</sup>
**CPLF | Size 245 (9-Blade, Arr. 3)**

Wheel Diameter: 24.50"

Fan Efficiency Grade = FEG80

CFM	1" SP		2" SP		3" SP		4" SP		5" SP		6" SP		7" SP		8" SP		9" SP		10" SP		12" SP	
	RPM	BHP	RPM	BHP	RPM	BHP	RPM	BHP	RPM	BHP	RPM	BHP	RPM	BHP	RPM	BHP	RPM	BHP	RPM	BHP	RPM	BHP
4400	804	0.99																				
5000	849	1.15	1057	2.20																		
5600	898	1.34	1094	2.49	1270	3.71																
6200	950	1.55	1135	2.79	1299	4.10																
7400	1058	2.05	1227	3.45	1376	4.98	1515	6.55	1647	8.15												
8600	1171	2.64	1328	4.26	1466	5.94	1593	7.73	1714	9.55	1828	11.35	1942	13.28								
9800	1289	3.36	1436	5.22	1564	7.05	1683	9.00	1794	11.04	1902	13.12	2004	15.16	2104	17.25	2204	19.45				
11000	1409	4.22	1546	6.30	1668	8.36	1780	10.45	1885	12.64	1985	14.93	2081	17.23	2175	19.55	2266	21.87	2355	24.21		
12200	1533	5.27	1660	7.52	1776	9.83	1882	12.11	1981	14.43	2077	16.88	2167	19.37	2255	21.93	2342	24.53	2426	27.10		
14600	1787	7.94	1896	10.51	2001	13.28	2098	16.05	2189	18.77	2275	21.49	2358	24.28	2439	27.18	2516	30.11	2592	33.15		
17000			2142	14.43	2234	17.50	2324	20.74	2408	23.96	2489	27.18	2565	30.32	2639	33.49	2711	36.72	2781	40.01		
19400			2394	19.40	2477	22.81	2557	26.35	2636	30.05	2711	33.74	2783	37.40								

 MAXIMUM RPM: CLASS I = 1715 CLASS II = 2183 CLASS III = 2806 Outlet Area = 4.66 ft<sup>2</sup> Max. BHP = 1.91 x (RPM / 1000)<sup>3</sup>
**CPLQN | Size 245 (12-Blade, Arr. 1 and 4)**

Wheel Diameter: 24.50"

Fan Efficiency Grade = FEG80

CFM	1" SP		2" SP		3" SP		4" SP		5" SP		6" SP		7" SP		8" SP		9" SP		10" SP		12" SP	
	RPM	BHP	RPM	BHP	RPM	BHP	RPM	BHP	RPM	BHP	RPM	BHP	RPM	BHP	RPM	BHP	RPM	BHP	RPM	BHP	RPM	BHP
4400	779	0.96																				
5000	824	1.11	1026	2.19																		
5600	875	1.29	1061	2.44	1234	3.73																
6200	929	1.49	1100	2.71	1261	4.07																
7400	1043	1.98	1192	3.33	1334	4.84	1469	6.46	1598	8.16												
8600	1157	2.53	1299	4.11	1423	5.73	1545	7.51	1662	9.37	1774	11.31	1886	13.35								
9800	1275	3.20	1412	5.03	1524	6.79	1633	8.69	1740	10.71	1844	12.81	1944	14.97	2042	17.21	2140	19.53				
11000	1395	3.99	1525	6.05	1634	8.05	1732	10.06	1829	12.20	1924	14.43	2018	16.78	2110	19.19	2198	21.62	2285	24.13	2462	29.43
12200	1519	4.95	1640	7.20	1748	9.48	1840	11.66	1928	13.91	2015	16.26	2102	18.75	2187	21.30	2271	23.93	2353	26.61	2510	32.05
14600	1770	7.35	1877	9.98	1976	12.72	2066	15.44	2147	18.08	2222	20.70	2295	23.38	2368	26.17	2441	29.06	2514	32.06	2656	38.22
17000	2026	10.54	2121	13.55	2211	16.67	2295	19.85	2374	23.04	2447	26.16	2515	29.24	2579	32.28	2642	35.38	2704	38.54		
19400			2371	18.05	2452	21.52	2530	25.11	2604	28.74	2675	32.41	2742	36.03	2804	39.54						

 MAXIMUM RPM: CLASS I = 1715 CLASS II = 2183 CLASS III = 2806 Outlet Area = 4.66 ft<sup>2</sup> Max. BHP = 2.04 x (RPM / 1000)<sup>3</sup>
**CPLQ | Size 245 (12-Blade, Arr. 3)**

Wheel Diameter: 24.50"

Fan Efficiency Grade = FEG75

CFM	1" SP		2" SP		3" SP		4" SP		5" SP		6" SP		7" SP		8" SP		9" SP		10" SP		12" SP	
	RPM	BHP	RPM	BHP	RPM	BHP	RPM	BHP	RPM	BHP	RPM	BHP	RPM	BHP	RPM	BHP	RPM	BHP	RPM	BHP	RPM	BHP
4400	790	1.00																				
5000	838	1.17	1041	2.25																		
5600	891	1.36	1074	2.51																		
6200	947	1.59	1116	2.81	1278	4.18																
7400	1064	2.11	1213	3.51	1352	5.00	1489	6.64	1623	8.39												
8600	1185	2.76	1324	4.36	1446	6.01	1566	7.77	1683	9.63	1799	11.61										
9800	1309	3.55	1440	5.37	1552	7.19	1659	9.10	1764	11.09	1867	13.17	1970	15.38	2072	17.68	2173	20.06				
11000	1436	4.50	1558	6.52	1666	8.57	1764	10.65	1859	12.79	1952	15.00	2044	17.30	2136	19.70	2228	22.22	2318	24.78		
12200	1565	5.63	1680	7.86	1783	10.13	1876	12.40	1963	14.70	2049	17.09	2134	19.55	2217	22.04	2300	24.64	2382	27.30	2547	32.96
14600	1827	8.50	1930	11.16	2022	13.82	2109	16.55	2189	19.25	2265	21.99	2337	24.73	2409	27.56	2481	30.47	2552	33.42	2691	39.46
17000			2186	15.41	2271	18.51	2350	21.63	2425	24.78	2496	27.93	2564	31.11	2629	34.29	2691	37.46	2753	40.72		
19400			2446	20.74	2524	24.26	2598	27.83	2667	31.37	2734	34.98	2798	38.58								

 MAXIMUM RPM: CLASS I = 1715 CLASS II = 2183 CLASS III = 2806 Outlet Area = 4.66 ft<sup>2</sup> Max. BHP = 2.03 x (RPM / 1000)<sup>3</sup>

Class I = First white section

Class II = Blue shaded section

Class III = Bolded section after blue section

Underlined figures indicate Maximum Static Efficiency

Performance certified is for installation Type A; Free inlet, Free outlet.

Power rating (BHP) does not include transmission losses.

Performance ratings do not include the effects of appurtenances (accessories).

Performance based on a shaft height of 17.00" above the base on fan size 245.

**CPLFN | Size 270 (9-Blade, Arr. 1 and 4)** Wheel Diameter: 27.00" Fan Efficiency Grade = FEG80

CFM	1" SP		2" SP		3" SP		4" SP		5" SP		6" SP		7" SP		8" SP		9" SP		10" SP		12" SP	
	RPM	BHP	RPM	BHP	RPM	BHP	RPM	BHP	RPM	BHP	RPM	BHP	RPM	BHP	RPM	BHP	RPM	BHP	RPM	BHP	RPM	BHP
5000	705	1.07																				
5800	743	1.24	952	2.55																		
6600	787	1.44	978	2.83																		
7400	835	1.68	<u>1012</u>	<u>3.15</u>	1174	4.84																
8200	885	1.94	<u>1051</u>	<u>3.51</u>	<u>1202</u>	<u>5.27</u>	1346	7.22														
9000	937	2.24	1095	3.92	<u>1236</u>	<u>5.74</u>	1371	7.78	1501	9.95												
10600	1045	2.92	1189	4.84	1317	6.86	<u>1437</u>	<u>9.02</u>	1553	11.36	1665	13.85	1776	16.45								
12200	1157	3.75	1291	5.93	1409	8.18	1519	10.53	<u>1623</u>	<u>12.98</u>	1725	15.61	1824	18.37	1921	21.25	2017	24.23	2114	27.32		
13800	1273	4.75	1397	7.20	1507	9.68	1610	12.26	1707	14.92	1800	17.67	1891	20.56	1980	23.59	2067	26.73	2153	29.98		
17000	1511	7.34	1618	10.32	1718	13.36	1809	16.40	1895	19.50	1977	22.66	2057	25.93	2134	29.25	2209	32.65	2284	36.21		
20200	<u>1757</u>	<u>10.89</u>	1850	14.40	1938	17.94	2022	21.54	2101	25.17	2175	28.78	2247	32.47	2317	36.23	2385	40.05	2452	43.96		
23400			2089	19.59	2168	23.69	2243	27.78	2316	31.94	2386	36.14	2453	40.36	2517	44.56						

MAXIMUM RPM: CLASS I = 1556 CLASS II = 1981 CLASS III = 2546 Outlet Area = 5.67 ft<sup>2</sup> Max. BHP = 3.04 x (RPM / 1000)<sup>3</sup>

**CPLF | Size 270 (9-Blade, Arr. 3)** Wheel Diameter: 27.00" Fan Efficiency Grade = FEG75

CFM	1" SP		2" SP		3" SP		4" SP		5" SP		6" SP		7" SP		8" SP		9" SP		10" SP		12" SP	
	RPM	BHP	RPM	BHP	RPM	BHP	RPM	BHP	RPM	BHP	RPM	BHP	RPM	BHP	RPM	BHP	RPM	BHP	RPM	BHP	RPM	BHP
5000	716	1.13	943	2.37																		
5800	756	1.33	961	2.65																		
6600	803	1.56	<u>991</u>	<u>2.98</u>	1163	4.59																
7400	854	1.82	<u>1028</u>	<u>3.34</u>	1187	5.04	1338	6.91														
8200	909	2.12	1070	3.76	<u>1219</u>	<u>5.55</u>	1358	7.48	1495	9.60												
9000	966	2.47	1115	4.20	<u>1256</u>	<u>6.10</u>	1388	8.14	1514	10.31	1638	12.63										
10600	1082	3.28	1217	5.24	1341	7.35	1460	9.58	1574	11.95	1683	14.41	1789	16.99	1895	19.72	1999	22.55				
12200	1203	4.30	1328	6.50	1439	8.83	1547	11.29	<u>1651</u>	<u>13.85</u>	1751	16.51	1848	19.27	1942	22.12	2034	25.07	2126	28.16		
13800	1326	5.54	1443	7.99	1547	10.56	1643	13.21	1738	15.99	1831	18.87	1921	21.83	2009	24.90	2094	28.03	2177	31.24		
17000	1576	8.74	1682	11.81	1774	14.83	1861	17.98	1941	21.17	2019	24.47	2096	27.86	2173	31.36	2248	34.90	2321	38.49		
20200	1831	13.12	1928	16.84	2013	20.45	2090	24.01	2165	27.72	2235	31.46	2303	35.31	2368	39.18	2433	43.15	2499	47.26		
23400			2178	23.25	2258	27.52	2330	31.67	2397	35.79	2462	40.00	2526	44.34								

MAXIMUM RPM: CLASS I = 1556 CLASS II = 1981 CLASS III = 2546 Outlet Area = 5.67 ft<sup>2</sup> Max. BHP = 3.08 x (RPM / 1000)<sup>3</sup>

**CPLQN | Size 270 (12-Blade, Arr. 1 and 4)** Wheel Diameter: 27.00" Fan Efficiency Grade = FEG80

CFM	1" SP		2" SP		3" SP		4" SP		5" SP		6" SP		7" SP		8" SP		9" SP		10" SP		12" SP	
	RPM	BHP	RPM	BHP	RPM	BHP	RPM	BHP	RPM	BHP	RPM	BHP	RPM	BHP	RPM	BHP	RPM	BHP	RPM	BHP	RPM	BHP
5000	698	1.11																				
5800	741	1.30	927	2.57																		
6600	790	1.53	<u>964</u>	<u>2.92</u>	1119	4.43																
7400	842	1.78	<u>1004</u>	<u>3.28</u>	1148	4.91																
8200	897	2.07	1048	3.68	<u>1186</u>	<u>5.43</u>	1311	7.27														
9000	953	2.38	1096	4.12	<u>1226</u>	<u>5.98</u>	1347	7.95	1460	10.00												
10600	1071	3.15	1200	5.13	1317	7.23	<u>1427</u>	<u>9.42</u>	1532	11.71	1630	14.06	1725	16.48	1823	19.02						
12200	1192	4.09	1310	6.31	1417	8.64	1518	11.07	1614	13.58	1707	16.18	1796	18.86	1880	21.56	1963	24.35	2047	27.24		
13800	1316	5.23	1425	7.70	1525	10.28	1618	12.95	1707	15.70	1793	18.53	1876	21.42	1956	24.36	2034	27.39	2109	30.47	2256	36.81
17000	1569	8.21	1667	11.25	1753	14.30	1835	17.44	1913	20.66	1988	23.97	2061	27.35	2132	30.78	2201	34.25	2269	37.79	2401	45.06
20200	1828	12.31	1915	15.90	1994	19.51	2066	23.11	2136	26.81	2204	30.59	2269	34.42	2333	38.36	2395	42.33	2456	46.36		
23400			2168	21.86	2241	26.05	2308	30.22	2371	34.39	2432	38.63	2492	42.96								

MAXIMUM RPM: CLASS I = 1556 CLASS II = 1981 CLASS III = 2546 Outlet Area = 5.67 ft<sup>2</sup> Max. BHP = 3.25 x (RPM / 1000)<sup>3</sup>

**CPLQ | Size 270 (12-Blade, Arr. 3)** Wheel Diameter: 27.00" Fan Efficiency Grade = FEG75

CFM	1" SP		2" SP		3" SP		4" SP		5" SP		6" SP		7" SP		8" SP		9" SP		10" SP		12" SP	
	RPM	BHP	RPM	BHP	RPM	BHP	RPM	BHP	RPM	BHP	RPM	BHP	RPM	BHP	RPM	BHP	RPM	BHP	RPM	BHP	RPM	BHP
5000	706	1.14																				
5800	756	1.37	939	2.65																		
6600	807	1.62	974	2.99																		
7400	861	1.89	1018	3.39	<u>1162</u>	<u>5.04</u>																
8200	917	2.20	1068	3.86	<u>1198</u>	<u>5.56</u>	1328	7.48														
9000	977	2.57	1120	4.36	1243	6.18	<u>1361</u>	<u>8.14</u>	1479	10.30												
10600	1101	3.45	1227	5.45	1344	7.60	1448	9.75	<u>1548</u>	<u>12.00</u>	1648	14.41	1748	16.98								
12200	1230	4.57	1341	6.45	1449	9.17	1550	11.67	1641	14.13	1727	16.63	1814	19.29	1902	22.14	1988	25.06				
13800	1360	5.92	1464	8.39	1560	10.97	1654	13.73	1743	16.55	1825	19.34	1902	22.13	1979	25.05	2056	28.09	2133	31.27	2286	37.93
17000	1623	9.43	1719	12.54	1800	15.55	1878	18.68	1956	21.99	2032	25.41	2106	28.91	2175	32.35	2241	35.78	2305	39.25	2429	46.31
20200	1891	14.27	1979	18.02	2055	21.66	2123	25.24	2189	28.90	2255	32.71	2321	36.68	2385	40.71	2448	44.83	2509	48.96		
23400			2242	25.05	2314	29.35	2379	33.57	2439	37.74	2496	41.92										

MAXIMUM RPM: CLASS I = 1556 CLASS II = 1981 CLASS III = 2546 Outlet Area = 5.67 ft<sup>2</sup> Max. BHP = 3.23 x (RPM / 1000)<sup>3</sup>

Class I = First white section  
 Class II = Blue shaded section  
 Class III = Bolded section after blue section  
 Underlined figures indicate Maximum Static Efficiency

Performance certified is for installation Type A; Free inlet, Free outlet.  
 Power rating (BHP) does not include transmission losses.  
 Performance ratings do not include the effects of appurtenances (accessories).  
 Performance based on a shaft height of 19.00" above the base on fan size 270.

**CPLFN | Size 300 (9-Blade, Arr. 1 and 4)**

Wheel Diameter: 30.00"

Fan Efficiency Grade = FEG80

CFM	1" SP		2" SP		3" SP		4" SP		5" SP		6" SP		7" SP		8" SP		9" SP		10" SP		12" SP		
	RPM	BHP	RPM	BHP	RPM	BHP	RPM	BHP	RPM	BHP	RPM	BHP	RPM	BHP	RPM	BHP	RPM	BHP	RPM	BHP	RPM	BHP	
6000	627	<u>1.27</u>																					
7000	662	<u>1.49</u>	847	3.05																			
8000	702	1.73	872	3.40	1025	5.31																	
9000	746	2.01	<u>904</u>	<u>3.82</u>	1047	5.81	1179	8.03															
10000	794	2.35	<u>940</u>	<u>4.26</u>	<u>1074</u>	<u>6.37</u>	1200	8.68	1317	11.17													
11000	842	2.70	980	4.74	<u>1106</u>	<u>6.99</u>	1225	9.40	1337	11.96	1443	14.70											
13000	941	3.56	1068	5.87	1181	8.36	<u>1287</u>	<u>11.01</u>	<u>1390</u>	<u>13.83</u>	1488	16.75	1582	19.82	1672	23.02							
15000	1041	4.58	1164	7.24	1266	9.96	1363	12.85	<u>1456</u>	<u>15.91</u>	1546	19.09	<u>1633</u>	<u>22.36</u>	1718	25.77	1800	29.30	1879	32.93			
17000	1144	5.82	1262	8.82	1359	11.83	1448	14.97	1533	18.23	1616	21.67	<u>1696</u>	<u>25.20</u>	<u>1775</u>	<u>28.86</u>	<u>1851</u>	<u>32.56</u>	<u>1926</u>	<u>36.40</u>			
21000	1359	9.10	1461	12.70	1555	16.45	1636	20.16	1709	23.89	1781	27.79	<u>1851</u>	<u>31.80</u>	<u>1919</u>	<u>35.93</u>	<u>1986</u>	<u>40.19</u>	<u>2051</u>	<u>44.49</u>			
25000	<u>1582</u>	<u>13.67</u>	<u>1668</u>	<u>17.79</u>	<u>1753</u>	<u>22.16</u>	<u>1832</u>	<u>26.61</u>	<u>1903</u>	<u>31.03</u>	<u>1968</u>	<u>35.45</u>	<u>2030</u>	<u>39.95</u>	<u>2090</u>	<u>44.53</u>	<u>2150</u>	<u>49.26</u>	<u>2208</u>	<u>54.03</u>			
29000			<u>1884</u>	<u>24.42</u>	<u>1958</u>	<u>29.32</u>	<u>2031</u>	<u>34.41</u>	<u>2100</u>	<u>39.56</u>	<u>2165</u>	<u>44.76</u>	<u>2224</u>	<u>49.88</u>	<u>2279</u>	<u>54.97</u>							

MAXIMUM RPM: CLASS I = 1401 CLASS II = 1783 CLASS III = 2291 Outlet Area = 7.00 ft<sup>2</sup> Max. BHP = 5.17 x (RPM / 1000)<sup>3</sup>

**CPLF | Size 300 (9-Blade, Arr. 3)**

Wheel Diameter: 30.00"

Fan Efficiency Grade = FEG80

CFM	1" SP		2" SP		3" SP		4" SP		5" SP		6" SP		7" SP		8" SP		9" SP		10" SP		12" SP		
	RPM	BHP	RPM	BHP	RPM	BHP	RPM	BHP	RPM	BHP	RPM	BHP	RPM	BHP	RPM	BHP	RPM	BHP	RPM	BHP	RPM	BHP	
6000	639	<u>1.33</u>																					
7000	675	<u>1.56</u>	860	3.20																			
8000	717	1.84	888	3.58	1041	5.56																	
9000	761	2.14	<u>921</u>	<u>3.99</u>	1064	6.11	1198	8.40															
10000	809	2.50	959	4.48	<u>1094</u>	<u>6.69</u>	1219	9.13	1339	11.70													
11000	858	2.89	1000	5.02	<u>1128</u>	<u>7.33</u>	1246	9.87	1358	12.57	1467	15.41											
13000	960	3.89	1090	6.26	1205	8.83	1313	11.55	<u>1415</u>	<u>14.48</u>	1512	17.58	1607	20.83	1699	24.14	1790	27.60					
15000	1066	5.15	1186	7.73	1292	10.60	1391	13.58	<u>1485</u>	<u>16.69</u>	1575	19.97	<u>1662</u>	<u>23.45</u>	1746	27.07	<u>1828</u>	<u>30.78</u>	<u>1909</u>	<u>34.60</u>			
17000	1174	6.66	1287	9.53	1386	12.63	1477	15.90	1565	19.30	1649	22.80	<u>1730</u>	<u>26.44</u>	<u>1808</u>	<u>30.22</u>	<u>1884</u>	<u>34.16</u>	<u>1958</u>	<u>38.22</u>			
21000	1399	10.60	1496	14.27	<u>1585</u>	<u>17.77</u>	<u>1667</u>	<u>21.52</u>	<u>1744</u>	<u>25.50</u>	<u>1817</u>	<u>29.55</u>	<u>1889</u>	<u>33.72</u>	<u>1959</u>	<u>37.98</u>	<u>2026</u>	<u>42.26</u>	<u>2092</u>	<u>46.69</u>			
25000	<u>1629</u>	<u>15.97</u>	1714	20.50	<u>1794</u>	<u>24.77</u>	<u>1869</u>	<u>28.93</u>	<u>1940</u>	<u>33.30</u>	<u>2007</u>	<u>37.89</u>	<u>2071</u>	<u>42.62</u>	<u>2133</u>	<u>47.44</u>	<u>2194</u>	<u>52.36</u>	<u>2254</u>	<u>57.33</u>			
29000			<u>1938</u>	<u>28.38</u>	<u>2010</u>	<u>33.57</u>	<u>2078</u>	<u>38.45</u>	<u>2143</u>	<u>43.24</u>	<u>2206</u>	<u>48.20</u>	<u>2266</u>	<u>53.37</u>									

MAXIMUM RPM: CLASS I = 1401 CLASS II = 1783 CLASS III = 2291 Outlet Area = 7.00 ft<sup>2</sup> Max. BHP = 5.11 x (RPM / 1000)<sup>3</sup>

**CPLQN | Size 300 (12-Blade, Arr. 1 and 4)**

Wheel Diameter: 30.00"

Fan Efficiency Grade = FEG80

CFM	1" SP		2" SP		3" SP		4" SP		5" SP		6" SP		7" SP		8" SP		9" SP		10" SP		12" SP		
	RPM	BHP	RPM	BHP	RPM	BHP	RPM	BHP	RPM	BHP	RPM	BHP	RPM	BHP	RPM	BHP	RPM	BHP	RPM	BHP	RPM	BHP	
6000	621	<u>1.33</u>																					
7000	657	<u>1.55</u>	845	3.17																			
8000	699	1.81	<u>865</u>	<u>3.55</u>																			
9000	745	2.12	<u>895</u>	<u>3.97</u>	1042	6.05																	
10000	794	2.46	<u>933</u>	<u>4.44</u>	<u>1065</u>	<u>6.65</u>	1196	9.02															
11000	845	2.86	974	4.94	<u>1095</u>	<u>7.27</u>	1216	9.80	1335	12.47													
13000	949	3.81	1067	6.17	1173	8.70	1275	11.46	1377	14.40	1478	17.40	1579	20.63									
15000	1056	4.96	1166	7.63	1262	10.42	1354	13.39	<u>1443</u>	<u>16.55</u>	<u>1531</u>	<u>19.88</u>	<u>1619</u>	<u>23.29</u>	1707	26.80	1795	30.51					
17000	1167	6.37	1269	9.38	1360	12.47	1443	15.66	1524	19.03	1603	22.58	<u>1680</u>	<u>26.24</u>	<u>1757</u>	<u>30.02</u>	<u>1835</u>	<u>33.91</u>	<u>1913</u>	<u>37.89</u>	<u>2068</u>	<u>46.31</u>	
21000	1394	9.97	1482	13.78	1563	17.47	1638	21.24	1708	25.11	1775	29.08	<u>1841</u>	<u>33.19</u>	<u>1906</u>	<u>37.44</u>	<u>1970</u>	<u>41.84</u>	<u>2033</u>	<u>46.35</u>	<u>2158</u>	<u>55.65</u>	
25000	<u>1626</u>	<u>14.85</u>	1704	19.50	1776	23.98	<u>1844</u>	<u>28.36</u>	<u>1909</u>	<u>32.82</u>	<u>1971</u>	<u>37.41</u>	<u>2029</u>	<u>42.00</u>	<u>2086</u>	<u>46.72</u>	<u>2141</u>	<u>51.48</u>	<u>2196</u>	<u>56.38</u>			
29000			<u>1931</u>	<u>26.73</u>	<u>1996</u>	<u>32.06</u>	<u>2058</u>	<u>37.24</u>	<u>2117</u>	<u>42.32</u>	<u>2174</u>	<u>47.43</u>	<u>2229</u>	<u>52.65</u>	<u>2282</u>	<u>57.96</u>							

MAXIMUM RPM: CLASS I = 1401 CLASS II = 1783 CLASS III = 2291 Outlet Area = 7.00 ft<sup>2</sup> Max. BHP = 5.54 x (RPM / 1000)<sup>3</sup>

**CPLQ | Size 300 (12-Blade, Arr. 3)**

Wheel Diameter: 30.00"

Fan Efficiency Grade = FEG75

CFM	1" SP		2" SP		3" SP		4" SP		5" SP		6" SP		7" SP		8" SP		9" SP		10" SP		12" SP		
	RPM	BHP	RPM	BHP	RPM	BHP	RPM	BHP	RPM	BHP	RPM	BHP	RPM	BHP	RPM	BHP	RPM	BHP	RPM	BHP	RPM	BHP	
6000	626	<u>1.35</u>																					
7000	665	1.60																					
8000	712	1.90																					
9000	763	2.27	<u>903</u>	<u>4.06</u>																			
10000	817	2.70	945	4.57																			
11000	870	3.17	992	5.18	<u>1105</u>	<u>7.44</u>																	
13000	978	4.24	1094	6.65	1192	9.06	<u>1288</u>	<u>11.75</u>	<u>1387</u>	<u>14.66</u>													
15000	1089	5.55	1201	8.43	1291	11.12	1376	13.93	<u>1459</u>	<u>17.00</u>	1542	20.25											
17000	1203	7.15	1308	10.43	1397	13.59	1474	16.63	1550	19.86	1623	23.25	<u>1696</u>	<u>26.87</u>	<u>1770</u>	<u>30.61</u>							
21000	1438	11.40	1529	15.42	1612	19.47	1687	23.44	1753	27.21	<u>1815</u>	<u>30.97</u>	<u>1876</u>	<u>34.87</u>	<u>1937</u>	<u>38.95</u>	1996	43.17	2055	47.58	2174	56.74	
25000	<u>1677</u>	<u>17.22</u>	<u>1757</u>	<u>21.99</u>	<u>1832</u>	<u>26.81</u>	<u>1902</u>	<u>31.63</u>	<u>1968</u>	<u>36.44</u>	<u>2027</u>	<u>41.02</u>	<u>2082</u>	<u>45.50</u>	<u>2135</u>	<u>50.00</u>	<u>2186</u>	<u>54.51</u>	<u>2237</u>	<u>59.17</u>			
29000			<u>1992</u>	<u>30.53</u>	<u>2059</u>	<u>36.06</u>	<u>2123</u>	<u>41.65</u>	<u>2184</u>	<u>47.25</u>	<u>2242</u>	<u>52.82</u>											

MAXIMUM RPM: CLASS I = 1401 CLASS II = 1783 CLASS III = 2291 Outlet Area = 7.00 ft<sup>2</sup> Max. BHP = 5.52 x (RPM / 1000)<sup>3</sup>

Class I = First white section  
 Class II = Blue shaded section  
 Class III = Bolded section after blue section  
 Underlined figures indicate Maximum Static Efficiency

Performance certified is for installation Type A; Free inlet, Free outlet.  
 Power rating (BHP) does not include transmission losses.  
 Performance ratings do not include the effects of appurtenances (accessories).  
 Performance based on a shaft height of 21.00" above the base on fan size 300.

**CPLFN | Size 330 (9-Blade, Arr. 1 and 4)**

Wheel Diameter: 33.00"

Fan Efficiency Grade = FEG80

CFM	1" SP		2" SP		3" SP		4" SP		5" SP		6" SP		7" SP		8" SP		9" SP		10" SP		12" SP	
	RPM	BHP	RPM	BHP	RPM	BHP	RPM	BHP	RPM	BHP	RPM	BHP	RPM	BHP	RPM	BHP	RPM	BHP	RPM	BHP	RPM	BHP
7000	564	1.49																				
8000	589	1.70																				
9000	617	1.92	762	3.52																		
11000	682	2.47	824	4.65	954	7.09	1073	9.77														
13000	754	3.15	881	5.57	998	8.27	1107	11.13	1211	14.24	1308	17.51										
15000	828	3.97	946	6.67	1052	9.59	1152	12.72	1247	15.99	1339	19.47	1426	23.11	1510	26.94						
17000	903	4.92	1016	7.93	1113	11.08	1205	14.45	1294	18.03	1379	21.71	1461	25.53	1541	29.57	1617	33.70	1692	38.06		
19000	979	6.04	1090	9.41	1180	12.81	1265	16.39	1347	20.18	1427	24.18	1504	28.25	1578	32.40	1651	36.75	1722	41.25		
23000	1137	8.86	1238	12.89	1324	16.94	1400	21.07	1471	25.28	1541	29.70	1609	34.29	1675	39.00	1740	43.84	1804	48.80		
27000	1302	12.66	1389	17.21	1472	21.99	1546	26.81	1611	31.57	1673	36.45	1734	41.49	1794	46.70	1852	51.99	1909	57.42		
31000	1470	17.56	1547	22.67	1622	28.03	1693	33.53	1758	39.05	1817	44.55	1872	50.05	1926	55.71	1979	61.48	2031	67.34		
35000			1709	29.38	1776	35.27	1843	41.45	1906	47.68	1964	53.87	2018	60.07	2069	66.30						

MAXIMUM RPM: CLASS I = 1273 CLASS II = 1620 CLASS III = 2083 Outlet Area = 8.46 ft<sup>2</sup> Max. BHP = 8.32 x (RPM / 1000)<sup>3</sup>

**CPLF | Size 330 (9-Blade, Arr. 3)**

Wheel Diameter: 33.00"

Fan Efficiency Grade = FEG75

CFM	1" SP		2" SP		3" SP		4" SP		5" SP		6" SP		7" SP		8" SP		9" SP		10" SP		12" SP	
	RPM	BHP	RPM	BHP	RPM	BHP	RPM	BHP	RPM	BHP	RPM	BHP	RPM	BHP	RPM	BHP	RPM	BHP	RPM	BHP	RPM	BHP
7000	574	1.56																				
8000	600	1.77	774	3.70																		
9000	630	2.03	792	4.06	939	6.39																
11000	696	2.63	841	4.89	969	7.44	1091	10.26														
13000	769	3.38	899	5.89	1017	8.66	1126	11.71	1230	14.96	1330	18.33										
15000	845	4.31	965	7.09	1073	10.09	1174	13.32	1269	16.80	1360	20.46	1449	24.27	1536	28.22						
17000	923	5.47	1036	8.46	1136	11.77	1230	15.23	1319	18.88	1403	22.73	1485	26.82	1565	31.06	1643	35.38	1720	39.84		
19000	1003	6.83	1110	10.07	1204	13.65	1291	17.37	1375	21.27	1455	25.33	1532	29.61	1606	34.05	1678	38.63	1749	43.35		
23000	1169	10.25	1264	14.18	1350	18.17	1428	22.46	1502	26.94	1573	31.47	1642	36.15	1709	40.97	1774	45.93	1838	51.13		
27000	1340	14.75	1424	19.53	1502	24.01	1575	28.71	1643	33.71	1707	38.84	1769	44.08	1831	49.51	1890	54.92	1948	60.46		
31000	1514	20.52	1589	26.12	1661	31.48	1728	36.61	1792	41.97	1852	47.59	1909	53.36	1965	59.34	2019	65.36	2073	71.52		
35000			1758	34.14	1823	40.36	1886	46.32	1945	52.09	2002	58.05	2057	64.35								

MAXIMUM RPM: CLASS I = 1273 CLASS II = 1620 CLASS III = 2083 Outlet Area = 8.46 ft<sup>2</sup> Max. BHP = 8.23 x (RPM / 1000)<sup>3</sup>

**CPLQN | Size 330 (12-Blade, Arr. 1 and 4)**

Wheel Diameter: 33.00"

Fan Efficiency Grade = FEG80

CFM	1" SP		2" SP		3" SP		4" SP		5" SP		6" SP		7" SP		8" SP		9" SP		10" SP		12" SP	
	RPM	BHP	RPM	BHP	RPM	BHP	RPM	BHP	RPM	BHP	RPM	BHP	RPM	BHP	RPM	BHP	RPM	BHP	RPM	BHP	RPM	BHP
7000	559	1.55																				
8000	583	1.76																				
9000	613	2.00	775	4.03																		
11000	681	2.59	816	4.84	949	7.39																
13000	756	3.33	876	5.82	988	8.61	1100	11.60														
15000	833	4.22	943	6.97	1044	9.99	1140	13.22	1238	16.68	1334	20.26										
17000	913	5.30	1017	8.36	1108	11.58	1196	15.07	1281	18.75	1366	22.58	1452	26.58	1537	30.77						
19000	995	6.57	1093	9.95	1178	13.43	1259	17.14	1337	21.05	1413	25.14	1489	29.39	1566	33.78	1642	38.25	1718	42.96		
23000	1164	9.72	1250	13.84	1328	17.92	1399	22.13	1466	26.45	1533	31.04	1597	35.72	1660	40.58	1723	45.62	1786	50.78	1913	61.39
27000	1336	13.81	1413	18.77	1484	23.54	1550	28.32	1612	33.24	1671	38.28	1728	43.43	1784	48.71	1840	54.22	1894	59.79	2001	71.38
31000	1511	19.04	1581	24.83	1646	30.44	1706	35.83	1764	41.32	1820	47.00	1872	52.65	1923	58.46	1972	64.29	2022	70.42		
35000			1751	32.13	1811	38.60	1868	44.89	1921	50.97	1973	57.16	2023	63.45	2071	69.85						

MAXIMUM RPM: CLASS I = 1273 CLASS II = 1620 CLASS III = 2083 Outlet Area = 8.46 ft<sup>2</sup> Max. BHP = 8.92 x (RPM / 1000)<sup>3</sup>

**CPLQ | Size 330 (12-Blade, Arr. 3)**

Wheel Diameter: 33.00"

Fan Efficiency Grade = FEG75

CFM	1" SP		2" SP		3" SP		4" SP		5" SP		6" SP		7" SP		8" SP		9" SP		10" SP		12" SP	
	RPM	BHP	RPM	BHP	RPM	BHP	RPM	BHP	RPM	BHP	RPM	BHP	RPM	BHP	RPM	BHP	RPM	BHP	RPM	BHP	RPM	BHP
7000																						
8000	590	1.81																				
9000	623	2.09																				
11000	698	2.79	824	4.96																		
13000	779	3.69	891	6.07	996	8.79																
15000	860	4.72	965	7.45	1059	10.33	1150	13.53														
17000	942	5.93	1045	9.13	1130	12.21	1212	15.55	1292	19.17												
19000	1026	7.35	1126	11.02	1207	14.45	1281	17.92	1355	21.74	1426	25.73	1500	29.97								
23000	1200	11.01	1289	15.44	1368	19.84	1436	24.00	1499	28.16	1560	32.45	1620	36.96	1679	41.71	1738	46.63	1799	51.76		
27000	1378	15.87	1457	21.02	1531	26.28	1598	31.44	1658	36.41	1712	41.18	1765	46.07	1817	51.09	1869	56.33	1920	61.78	2020	73.09
31000			1630	28.04	1697	34.01	1760	40.00	1819	45.95	1873	51.72	1923	57.33	1970	62.84	2016	68.43	2061	74.09		
35000			1807	36.73	1868	43.41	1926	50.13	1982	56.93	2035	63.67										

MAXIMUM RPM: CLASS I = 1273 CLASS II = 1620 CLASS III = 2083 Outlet Area = 8.46 ft<sup>2</sup> Max. BHP = 8.89 x (RPM / 1000)<sup>3</sup>

Class I = First white section  
 Class II = Blue shaded section  
 Class III = Bolded section after blue section  
 Underlined figures indicate Maximum Static Efficiency

Performance certified is for installation Type A; Free inlet, Free outlet.  
 Power rating (BHP) does not include transmission losses.  
 Performance ratings do not include the effects of appurtenances (accessories).  
 Performance based on a shaft height of 23.10" above the base on fan size 330.

**CPLFN | Size 365 (9-Blade, Arr. 1 and 4)**

Wheel Diameter: 36.50"

Fan Efficiency Grade = FEG85

CFM	1" SP		2" SP		3" SP		4" SP		5" SP		6" SP		7" SP		8" SP		9" SP		10" SP		12" SP	
	RPM	BHP	RPM	BHP	RPM	BHP	RPM	BHP	RPM	BHP	RPM	BHP	RPM	BHP	RPM	BHP	RPM	BHP	RPM	BHP	RPM	BHP
8000	491	1.66																				
9200	511	1.90																				
10400	534	2.16	682	4.34																		
11600	560	2.46	698	4.78																		
14000	615	3.12	741	5.79	852	8.67																
16400	676	3.92	791	6.92	893	10.15	987	13.51	1078	17.13												
18800	741	4.88	846	8.23	941	11.77	1029	15.53	1111	19.35	1191	23.40										
23600	880	7.40	967	11.40	1050	15.64	1128	20.01	1201	24.54	1271	29.26	1338	34.05	1403	38.93	1466	43.90	1529	49.14		
28400	1026	10.93	1099	15.45	1171	20.39	1240	25.45	1307	30.67	1371	36.04	1431	41.44	1490	47.06	1547	52.76	1603	58.58		
33200	1176	15.63	1239	20.71	1301	26.17	1363	32.00	1422	37.86	1480	43.85	1537	50.01	1592	56.30	1644	62.59	1695	69.03		
38000			1384	27.37	1439	33.38	1493	39.71	1547	46.34	1599	53.02	1651	59.88	1702	66.84	1751	73.80	1799	80.90		
42800			1532	35.59	1581	42.14	1630	49.03	1678	56.19	1726	63.62	1773	71.16	1819	78.74	1865	86.48				

MAXIMUM RPM: CLASS I = 1151 CLASS II = 1465 CLASS III = 1884 Outlet Area = 10.35 ft² Max. BHP = 14.26 x (RPM / 1000)³

**CPLF | Size 365 (9-Blade, Arr. 3)**

Wheel Diameter: 36.50"

Fan Efficiency Grade = FEG80

CFM	1" SP		2" SP		3" SP		4" SP		5" SP		6" SP		7" SP		8" SP		9" SP		10" SP		12" SP	
	RPM	BHP	RPM	BHP	RPM	BHP	RPM	BHP	RPM	BHP	RPM	BHP	RPM	BHP	RPM	BHP	RPM	BHP	RPM	BHP	RPM	BHP
8000	496	1.73																				
9200	518	2.00																				
10400	541	2.28	689	4.55																		
11600	568	2.60	707	5.04																		
14000	628	3.34	751	6.11	862	9.11	968	12.42														
16400	693	4.25	803	7.35	906	10.73	999	14.21	1089	17.97												
18800	762	5.37	862	8.78	954	12.45	1043	16.36	1126	20.42	1203	24.51	1282	29.02								
23600	906	8.32	992	12.37	1070	16.67	1145	21.24	1218	25.98	1289	30.90	1357	35.95	1421	41.00	1483	46.15	1544	51.45		
28400	1053	12.27	1131	17.14	1201	22.10	1266	27.23	1329	32.63	1390	38.13	1451	43.85	1511	49.74	1569	55.72	1625	61.76		
33200	1204	17.52	1275	23.22	1339	28.93	1398	34.70	1455	40.71	1509	46.84	1562	53.14	1615	59.66	1667	66.25	1719	73.06		
38000	1357	24.22	1423	30.84	1482	37.35	1536	43.81	1588	50.43	1638	57.19	1687	64.19	1734	71.26	1780	78.45	1826	85.81		
42800			1572	40.05	1627	47.40	1678	54.70	1726	61.99	1773	69.48	1818	77.02	1862	84.75						

MAXIMUM RPM: CLASS I = 1151 CLASS II = 1465 CLASS III = 1884 Outlet Area = 10.35 ft² Max. BHP = 14.43 x (RPM / 1000)³

**CPLQN | Size 365 (12-Blade, Arr. 1 and 4)**

Wheel Diameter: 36.50"

Fan Efficiency Grade = FEG80

CFM	1" SP		2" SP		3" SP		4" SP		5" SP		6" SP		7" SP		8" SP		9" SP		10" SP		12" SP	
	RPM	BHP	RPM	BHP	RPM	BHP	RPM	BHP	RPM	BHP	RPM	BHP	RPM	BHP	RPM	BHP	RPM	BHP	RPM	BHP	RPM	BHP
8000	486	1.72																				
9200	506	1.96																				
10400	535	2.27																				
11600	566	2.61	691	4.97																		
14000	630	3.36	739	6.04	843	9.00																
16400	698	4.27	800	7.36	887	10.52	977	14.04														
18800	767	5.34	863	8.81	946	12.40	1022	16.10	1099	20.06												
23600	912	8.13	998	12.39	1073	16.77	1141	21.24	1205	25.81	1264	30.36	1325	35.24	1388	40.37						
28400	1061	11.88	1139	16.98	1208	22.15	1271	27.42	1329	32.74	1385	38.19	1438	43.67	1488	49.15	1537	54.72	1587	60.53	1692	72.93
33200	1213	16.79	1284	22.73	1348	28.73	1407	34.81	1461	40.88	1513	47.13	1562	53.39	1610	59.77	1656	66.16	1699	72.43	1784	85.42
38000	1367	23.04	1432	29.84	1492	36.72	1546	43.52	1598	50.48	1647	57.48	1693	64.49	1738	71.68	1781	78.87	1823	86.13		
42800			1583	38.54	1638	46.20	1690	53.94	1738	61.63	1784	69.39	1829	77.31	1871	85.16						

MAXIMUM RPM: CLASS I = 1151 CLASS II = 1465 CLASS III = 1884 Outlet Area = 10.35 ft² Max. BHP = 15.14 x (RPM / 1000)³

**CPLQ | Size 365 (12-Blade, Arr. 3)**

Wheel Diameter: 36.50"

Fan Efficiency Grade = FEG80

CFM	1" SP		2" SP		3" SP		4" SP		5" SP		6" SP		7" SP		8" SP		9" SP		10" SP		12" SP	
	RPM	BHP	RPM	BHP	RPM	BHP	RPM	BHP	RPM	BHP	RPM	BHP	RPM	BHP	RPM	BHP	RPM	BHP	RPM	BHP	RPM	BHP
8000	489	1.75																				
9200	513	2.02																				
10400	542	2.34																				
11600	575	2.71	696	5.05																		
14000	646	3.60	749	6.23	849	9.16																
16400	719	4.67	813	7.67	899	10.85	985	14.32														
18800	793	5.96	883	9.37	960	12.87	1035	16.56	1109	20.47	1187	24.84										
23600	946	9.32	1029	13.61	1099	17.89	1161	22.22	1222	26.73	1281	31.31	1340	36.10	1400	41.17	1462	46.61				
28400	1103	13.91	1178	19.05	1245	24.27	1304	29.43	1357	34.58	1408	39.86	1458	45.22	1508	50.74	1557	56.35	1606	62.13	1705	74.28
33200	1264	20.06	1332	26.05	1393	32.06	1450	38.16	1502	44.22	1550	50.30	1594	56.29	1637	62.39	1680	68.65	1723	75.02	1808	88.09
38000			1489	34.81	1545	41.63	1599	48.64	1649	55.63	1695	62.52	1739	69.50	1779	76.30	1818	83.23	1856	90.22		
42800			1648	45.56	1700	53.23	1750	61.04	1797	68.85	1842	76.74	1884	84.52								

MAXIMUM RPM: CLASS I = 1151 CLASS II = 1465 CLASS III = 1884 Outlet Area = 10.35 ft² Max. BHP = 15.03 x (RPM / 1000)³

Class I = First white section

Class II = Blue shaded section

Class III = Bolded section after blue section

Underlined figures indicate Maximum Static Efficiency

Performance certified is for installation Type A; Free inlet, Free outlet.

Power rating (BHP) does not include transmission losses.

Performance ratings do not include the effects of appurtenances (accessories).

Performance based on a shaft height of 25.50" above the base on fan size 365.

**CPLFN | Size 402 (9-Blade, Arr. 1 and 4) Wheel Diameter: 40.25" Fan Efficiency Grade = FEG85**

CFM	1" SP		2" SP		3" SP		4" SP		5" SP		6" SP		7" SP		8" SP		9" SP		10" SP		12" SP	
	RPM	BHP	RPM	BHP	RPM	BHP	RPM	BHP	RPM	BHP	RPM	BHP	RPM	BHP	RPM	BHP	RPM	BHP	RPM	BHP	RPM	BHP
10000	<u>448</u>	<u>2.06</u>																				
11500	<u>467</u>	<u>2.37</u>																				
13000	490	2.71	622	5.41																		
16000	540	3.50	<b>657</b>	<b>6.59</b>	762	9.97																
19000	595	4.44	702	7.95	<u>797</u>	<u>11.74</u>	<b>885</b>	<b>15.72</b>														
22000	654	5.56	752	9.51	840	13.71	921	18.13	998	22.72	1072	27.53										
25000	717	6.93	806	11.32	888	15.90	964	20.75	<b>1035</b>	<b>25.75</b>	<b>1103</b>	<b>30.87</b>	<b>1169</b>	<b>36.19</b>								
28000	782	8.56	863	13.35	940	18.41	1012	23.66	<b>1078</b>	<b>29.01</b>	<b>1142</b>	<b>34.61</b>	<b>1204</b>	<b>40.35</b>	<b>1264</b>	<b>46.22</b>	<b>1322</b>	<b>52.19</b>				
34000	918	12.84	985	18.27	<b>1051</b>	<b>24.19</b>	<b>1115</b>	<b>30.31</b>	1176	36.56	1234	42.96	1290	49.59	<b>1343</b>	<b>56.24</b>	<b>1395</b>	<b>63.07</b>	<b>1446</b>	<b>70.02</b>		
40000	<b>1057</b>	<b>18.56</b>	<b>1115</b>	<b>24.70</b>	<b>1172</b>	<b>31.33</b>	<b>1228</b>	<b>38.30</b>	<b>1283</b>	<b>45.48</b>	<b>1336</b>	<b>52.72</b>	<b>1388</b>	<b>60.18</b>	<b>1437</b>	<b>67.63</b>	<b>1485</b>	<b>75.32</b>	<b>1531</b>	<b>83.03</b>		
46000			<b>1250</b>	<b>32.94</b>	<b>1300</b>	<b>40.21</b>	<b>1350</b>	<b>47.96</b>	<b>1399</b>	<b>56.00</b>	<b>1446</b>	<b>64.04</b>	<b>1493</b>	<b>72.30</b>	<b>1539</b>	<b>80.67</b>	<b>1584</b>	<b>89.18</b>	<b>1628</b>	<b>97.85</b>		
52000			<b>1389</b>	<b>43.27</b>	<b>1433</b>	<b>51.19</b>	<b>1477</b>	<b>59.51</b>	<b>1521</b>	<b>68.26</b>	<b>1564</b>	<b>77.22</b>	<b>1607</b>	<b>86.43</b>	<b>1649</b>	<b>95.68</b>	<b>1690</b>	<b>104.96</b>				

MAXIMUM RPM: CLASS I = 1044 CLASS II = 1329 CLASS III = 1708 Outlet Area = 12.60 ft<sup>2</sup> Max. BHP = 23.25 x (RPM / 1000)<sup>3</sup>

**CPLF | Size 402 (9-Blade, Arr. 3) Wheel Diameter: 40.25" Fan Efficiency Grade = FEG80**

CFM	1" SP		2" SP		3" SP		4" SP		5" SP		6" SP		7" SP		8" SP		9" SP		10" SP		12" SP	
	RPM	BHP	RPM	BHP	RPM	BHP	RPM	BHP	RPM	BHP	RPM	BHP	RPM	BHP	RPM	BHP	RPM	BHP	RPM	BHP	RPM	BHP
10000	<u>454</u>	<u>2.18</u>																				
11500	<u>474</u>	<u>2.50</u>																				
13000	497	2.87	628	5.66																		
16000	549	3.71	<b>667</b>	<b>6.98</b>	770	10.45																
19000	609	4.78	712	8.42	<u>808</u>	<u>12.38</u>	<b>895</b>	<b>16.52</b>	981	21.07												
22000	672	6.09	765	10.13	852	14.51	934	19.13	<b>1010</b>	<b>23.89</b>	<b>1083</b>	<b>28.87</b>										
25000	738	7.70	824	12.15	901	16.85	978	21.97	<b>1050</b>	<b>27.21</b>	<b>1118</b>	<b>32.59</b>	<b>1182</b>	<b>38.01</b>	<b>1247</b>	<b>43.87</b>	<b>1314</b>	<b>50.25</b>				
28000	805	9.59	885	14.45	957	19.60	1026	25.03	<b>1094</b>	<b>30.75</b>	<b>1159</b>	<b>36.61</b>	<b>1221</b>	<b>42.62</b>	<b>1279</b>	<b>48.57</b>	<b>1337</b>	<b>54.86</b>	<b>1394</b>	<b>61.32</b>		
34000	943	14.45	1014	20.26	<b>1078</b>	<b>26.20</b>	<b>1138</b>	<b>32.43</b>	<b>1195</b>	<b>38.84</b>	<b>1251</b>	<b>45.45</b>	<b>1307</b>	<b>52.33</b>	<b>1362</b>	<b>59.43</b>	<b>1415</b>	<b>66.61</b>	<b>1466</b>	<b>73.87</b>		
40000	<b>1083</b>	<b>20.84</b>	<b>1148</b>	<b>27.73</b>	<b>1206</b>	<b>34.58</b>	<b>1260</b>	<b>41.56</b>	<b>1312</b>	<b>48.83</b>	<b>1361</b>	<b>56.20</b>	<b>1410</b>	<b>63.90</b>	<b>1458</b>	<b>71.71</b>	<b>1506</b>	<b>79.75</b>	<b>1553</b>	<b>87.90</b>		
46000	<b>1226</b>	<b>29.16</b>	<b>1285</b>	<b>37.08</b>	<b>1339</b>	<b>44.99</b>	<b>1388</b>	<b>52.80</b>	<b>1436</b>	<b>60.90</b>	<b>1481</b>	<b>69.04</b>	<b>1525</b>	<b>77.44</b>	<b>1568</b>	<b>86.05</b>	<b>1610</b>	<b>94.77</b>	<b>1652</b>	<b>103.72</b>		
52000			<b>1425</b>	<b>48.66</b>	<b>1475</b>	<b>57.61</b>	<b>1521</b>	<b>66.45</b>	<b>1564</b>	<b>75.24</b>	<b>1607</b>	<b>84.39</b>	<b>1648</b>	<b>93.58</b>	<b>1688</b>	<b>103.00</b>						

MAXIMUM RPM: CLASS I = 1044 CLASS II = 1329 CLASS III = 1708 Outlet Area = 12.60 ft<sup>2</sup> Max. BHP = 23.52 x (RPM / 1000)<sup>3</sup>

**CPLQN | Size 402 (12-Blade, Arr. 1 and 4) Wheel Diameter: 40.25" Fan Efficiency Grade = FEG80**

CFM	1" SP		2" SP		3" SP		4" SP		5" SP		6" SP		7" SP		8" SP		9" SP		10" SP		12" SP	
	RPM	BHP	RPM	BHP	RPM	BHP	RPM	BHP	RPM	BHP	RPM	BHP	RPM	BHP	RPM	BHP	RPM	BHP	RPM	BHP	RPM	BHP
10000	<u>443</u>	<u>2.14</u>																				
11500	<u>464</u>	<u>2.46</u>																				
13000	492	2.86																				
16000	550	3.73	652	6.83																		
19000	613	4.82	707	8.40	<u>790</u>	<u>12.17</u>																
22000	677	6.09	765	10.16	842	14.39	913	18.79	988	23.62												
25000	743	7.61	827	12.20	899	16.91	965	21.75	<b>1027</b>	<b>26.71</b>	<b>1092</b>	<b>32.08</b>										
28000	811	9.42	890	14.49	959	19.72	1022	25.07	<b>1079</b>	<b>30.39</b>	<b>1135</b>	<b>35.96</b>	<b>1192</b>	<b>41.83</b>	<b>1251</b>	<b>48.01</b>						
34000	949	13.95	1021	20.08	<b>1084</b>	<b>26.27</b>	<b>1141</b>	<b>32.55</b>	<b>1195</b>	<b>39.03</b>	<b>1246</b>	<b>45.55</b>	<b>1294</b>	<b>52.10</b>	<b>1339</b>	<b>58.58</b>	<b>1385</b>	<b>65.42</b>	<b>1432</b>	<b>72.55</b>	<b>1529</b>	<b>87.50</b>
40000	<b>1091</b>	<b>19.98</b>	<b>1156</b>	<b>27.16</b>	<b>1214</b>	<b>34.37</b>	<b>1268</b>	<b>41.71</b>	<b>1317</b>	<b>49.02</b>	<b>1364</b>	<b>56.51</b>	<b>1409</b>	<b>64.11</b>	<b>1453</b>	<b>71.84</b>	<b>1494</b>	<b>79.41</b>	<b>1534</b>	<b>87.12</b>	<b>1611</b>	<b>102.71</b>
46000	<b>1235</b>	<b>27.75</b>	<b>1294</b>	<b>35.97</b>	<b>1348</b>	<b>44.24</b>	<b>1398</b>	<b>52.58</b>	<b>1445</b>	<b>60.98</b>	<b>1489</b>	<b>69.39</b>	<b>1531</b>	<b>77.92</b>	<b>1571</b>	<b>86.48</b>	<b>1610</b>	<b>95.17</b>	<b>1649</b>	<b>104.10</b>		
52000			<b>1435</b>	<b>46.83</b>	<b>1485</b>	<b>56.15</b>	<b>1531</b>	<b>65.42</b>	<b>1575</b>	<b>74.82</b>	<b>1617</b>	<b>84.29</b>	<b>1657</b>	<b>93.78</b>	<b>1696</b>	<b>103.47</b>						

MAXIMUM RPM: CLASS I = 1044 CLASS II = 1329 CLASS III = 1708 Outlet Area = 12.60 ft<sup>2</sup> Max. BHP = 24.68 x (RPM / 1000)<sup>3</sup>

**CPLQ | Size 402 (12-Blade, Arr. 3) Wheel Diameter: 40.25" Fan Efficiency Grade = FEG80**

CFM	1" SP		2" SP		3" SP		4" SP		5" SP		6" SP		7" SP		8" SP		9" SP		10" SP		12" SP	
	RPM	BHP	RPM	BHP	RPM	BHP	RPM	BHP	RPM	BHP	RPM	BHP	RPM	BHP	RPM	BHP	RPM	BHP	RPM	BHP	RPM	BHP
10000	<u>447</u>	<u>2.18</u>																				
11500	<u>470</u>	<u>2.53</u>																				
13000	499	2.96	620	5.75																		
16000	563	3.97	661	7.04	760	10.61																
19000	631	5.25	718	8.74	<u>799</u>	<u>12.47</u>	<b>882</b>	<b>16.67</b>														
22000	699	6.75	782	10.76	854	14.91	<u>924</u>	<u>19.29</u>	<b>995</b>	<b>24.04</b>												
25000	769	8.57	850	13.17	915	17.70	978	22.47	<b>1039</b>	<b>27.38</b>	<b>1101</b>	<b>32.66</b>	<b>1166</b>	<b>38.48</b>								
28000	841	10.76	918	15.91	981	20.95	1038	26.10	<b>1094</b>	<b>31.44</b>	<b>1149</b>	<b>36.96</b>	<b>1204</b>	<b>42.73</b>	<b>1260</b>	<b>48.86</b>	<b>1318</b>	<b>55.46</b>				
34000	987	16.33	<b>1056</b>	<b>22.51</b>	<b>1117</b>	<b>28.75</b>	<b>1171</b>	<b>34.96</b>	<b>1219</b>	<b>41.11</b>	<b>1265</b>	<b>47.36</b>	<b>1312</b>	<b>53.93</b>	<b>1358</b>	<b>60.59</b>	<b>1403</b>	<b>67.34</b>	<b>1448</b>	<b>74.31</b>	<b>1540</b>	<b>89.13</b>
40000	<b>1137</b>	<b>23.86</b>	<b>1199</b>	<b>31.08</b>	<b>1255</b>	<b>38.36</b>	<b>1307</b>	<b>45.73</b>	<b>1354</b>	<b>53.01</b>	<b>1397</b>	<b>60.26</b>	<b>1437</b>	<b>67.48</b>	<b>1477</b>	<b>74.95</b>	<b>1516</b>	<b>82.46</b>	<b>1556</b>	<b>90.27</b>	<b>1633</b>	<b>105.96</b>
46000			<b>1345</b>	<b>41.90</b>	<b>1396</b>	<b>50.16</b>	<b>1445</b>	<b>58.64</b>	<b>1490</b>	<b>6</b>												



**CPLFN | Size 445 (9-Blade, Arr. 1 and 4)**

Wheel Diameter: 44.50" Fan Efficiency Grade = FEG85

CFM	1" SP		2" SP		3" SP		4" SP		5" SP		6" SP		7" SP		8" SP		9" SP		10" SP		12" SP	
	RPM	BHP	RPM	BHP	RPM	BHP	RPM	BHP	RPM	BHP	RPM	BHP	RPM	BHP	RPM	BHP	RPM	BHP	RPM	BHP	RPM	BHP
12000	403	2.47																				
13800	420	2.84																				
15600	440	3.25	560	6.49																		
17400	461	3.68	574	7.17																		
21000	507	4.69	610	8.70	700	12.97																
24600	558	5.92	652	10.42	735	15.24	812	20.30	886	25.69												
28200	612	7.37	697	12.37	775	17.69	846	23.24	914	29.07	978	34.98										
35400	727	11.20	798	17.20	865	23.49	929	30.06	989	36.88	1046	43.92	1101	51.13	1154	58.44	1205	65.81	1256	73.55		
42600	848	16.57	907	23.31	966	30.73	1022	38.28	1077	46.14	1129	54.12	1179	62.36	1226	70.57	1273	79.18	1318	87.76		
49800	972	23.71	1024	31.37	1074	39.50	1124	48.16	1173	57.06	1220	65.99	1266	75.14	1311	84.56	1354	94.06	1396	103.78		
57000			1144	41.50	1188	50.39	1233	60.00	1276	69.79	1319	79.90	1361	90.09	1402	100.39	1443	111.03	1482	121.61		
64200			1267	54.06	1307	63.90	1346	74.08	1386	84.95	1424	95.87	1463	107.31	1500	118.56	1537	130.03				

**MAXIMUM RPM:** CLASS I = 944 CLASS II = 1202 CLASS III = 1545 Outlet Area = 15.38 ft<sup>2</sup> Max. BHP = 38.36 x (RPM / 1000)<sup>3</sup>

**CPLF | Size 445 (9-Blade, Arr. 3)**

Wheel Diameter: 44.50" Fan Efficiency Grade = FEG80

CFM	1" SP		2" SP		3" SP		4" SP		5" SP		6" SP		7" SP		8" SP		9" SP		10" SP		12" SP	
	RPM	BHP	RPM	BHP	RPM	BHP	RPM	BHP	RPM	BHP	RPM	BHP	RPM	BHP	RPM	BHP	RPM	BHP	RPM	BHP	RPM	BHP
12000	408	2.60																				
13800	426	3.00																				
15600	446	3.44	566	6.82																		
17400	468	3.91	581	7.54																		
21000	518	5.03	618	9.17	709	13.67	794	18.53														
24600	572	6.41	661	11.02	745	16.07	822	21.35	894	26.84												
28200	629	8.11	710	13.18	786	18.73	859	24.63	926	30.63	989	36.75	1053	43.45								
35400	748	12.57	819	18.69	883	25.16	943	31.90	1003	39.04	1061	46.42	1116	53.90	1168	61.40	1219	69.16	1269	77.13		
42600	871	18.66	934	25.91	991	33.33	1044	41.01	1095	49.03	1145	57.30	1195	65.91	1244	74.74	1291	83.61	1337	92.71		
49800	996	26.65	1054	35.22	1105	43.65	1154	52.40	1200	61.32	1244	70.47	1287	79.88	1330	89.59	1373	99.58	1415	109.67		
57000	1122	36.80	1176	46.74	1224	56.49	1268	66.17	1310	76.00	1352	86.34	1391	96.62	1429	107.13	1467	117.99	1505	129.14		
64200			1300	60.84	1345	71.91	1386	82.76	1425	93.66	1463	104.8	1500	116.15	1536	127.73						

**MAXIMUM RPM:** CLASS I = 944 CLASS II = 1202 CLASS III = 1545 Outlet Area = 15.38 ft<sup>2</sup> Max. BHP = 38.87 x (RPM / 1000)<sup>3</sup>

**CPLQN | Size 445 (12-Blade, Arr. 1 and 4)**

Wheel Diameter: 44.50" Fan Efficiency Grade = FEG80

CFM	1" SP		2" SP		3" SP		4" SP		5" SP		6" SP		7" SP		8" SP		9" SP		10" SP		12" SP	
	RPM	BHP	RPM	BHP	RPM	BHP	RPM	BHP	RPM	BHP	RPM	BHP	RPM	BHP	RPM	BHP	RPM	BHP	RPM	BHP	RPM	BHP
12000	399	2.57																				
13800	417	2.95																				
15600	441	3.41																				
17400	466	3.91	568	7.44																		
21000	520	5.07	609	9.09	693	13.49																
24600	576	6.44	659	11.05	731	15.84	803	21.03														
28200	634	8.09	712	13.28	780	18.67	841	24.14	904	30.09												
35400	753	12.28	824	18.72	885	25.26	941	32.00	993	38.81	1041	45.61	1090	52.82	1141	60.47	1194	68.57				
42600	877	18.01	941	25.69	997	33.41	1048	41.25	1096	49.30	1142	57.51	1185	65.67	1225	73.72	1266	82.26	1306	90.82	1391	109.31
49800	1003	25.49	1061	34.42	1113	43.39	1161	52.47	1206	61.69	1248	70.99	1288	80.36	1327	89.89	1364	99.33	1400	108.91	1469	128.27
57000	1131	35.06	1184	45.27	1232	55.46	1277	65.79	1319	76.16	1359	86.64	1397	97.24	1433	107.84	1468	118.58	1502	129.37		
64200			1309	58.50	1354	70.02	1396	81.57	1435	93.06	1473	104.79	1509	116.50	1544	128.42						

**MAXIMUM RPM:** CLASS I = 944 CLASS II = 1202 CLASS III = 1545 Outlet Area = 15.38 ft<sup>2</sup> Max. BHP = 40.80 x (RPM / 1000)<sup>3</sup>

**CPLQ | Size 445 (12-Blade, Arr. 3)**

Wheel Diameter: 44.50" Fan Efficiency Grade = FEG80

CFM	1" SP		2" SP		3" SP		4" SP		5" SP		6" SP		7" SP		8" SP		9" SP		10" SP		12" SP	
	RPM	BHP	RPM	BHP	RPM	BHP	RPM	BHP	RPM	BHP	RPM	BHP	RPM	BHP	RPM	BHP	RPM	BHP	RPM	BHP	RPM	BHP
12000	402	2.62																				
13800	422	3.03																				
15600	447	3.53																				
17400	474	4.08	573	7.60																		
21000	533	5.42	617	9.37	698	13.72																
24600	594	7.07	670	11.53	740	16.28	810	21.47														
28200	655	9.01	729	14.15	791	19.35	852	24.86	912	30.68	975	37.15										
35400	781	14.08	850	20.59	907	27.00	957	33.42	1007	40.21	1055	47.05	1103	54.20	1151	61.65	1201	69.69	1253	78.39		
42600	912	21.13	973	28.83	1028	36.67	1076	44.38	1120	52.19	1161	60.02	1202	68.11	1242	76.23	1282	84.63	1322	93.29	1403	111.56
49800	1045	30.46	1100	39.40	1151	48.54	1197	57.63	1240	66.79	1279	75.86	1315	84.85	1350	93.97	1385	103.35	1420	112.88	1489	132.37
57000			1230	52.71	1277	63.11	1320	73.46	1361	83.96	1399	94.37	1435	104.82	1468	115.09	1500	125.51	1530	135.71		
64200			1363	69.26	1405	80.69	1446	92.45	1484	104.1	1521	115.98										

**MAXIMUM RPM:** CLASS I = 944 CLASS II = 1202 CLASS III = 1545 Outlet Area = 15.38 ft<sup>2</sup> Max. BHP = 40.46 x (RPM / 1000)<sup>3</sup>

- Class I = First white section
  - Class II = Blue shaded section
  - Class III = Bolded section after blue section
- Underlined figures indicate Maximum Static Efficiency

Performance certified is for installation Type A; Free inlet, Free outlet.  
 Power rating (BHP) does not include transmission losses.  
 Performance ratings do not include the effects of appurtenances (accessories).  
 Performance based on a shaft height of 31.09" above the base on fan size 445.

### CPLFN | Size 490 (9-Blade, Arr. 1 and 4)

Wheel Diameter: 49.00"

Fan Efficiency Grade = FEG85

CFM	1" SP		2" SP		3" SP		4" SP		5" SP		6" SP		7" SP		8" SP		9" SP		10" SP		12" SP	
	RPM	BHP	RPM	BHP	RPM	BHP	RPM	BHP	RPM	BHP	RPM	BHP	RPM	BHP	RPM	BHP	RPM	BHP	RPM	BHP	RPM	BHP
16000	376	<u>3.29</u>																				
18000	392	3.74																				
20000	409	4.20	<u>514</u>	<u>8.25</u>																		
24000	446	5.26	<u>542</u>	<u>9.89</u>	<u>627</u>	<u>14.89</u>																
28000	487	6.53	576	11.75	<u>654</u>	<u>17.34</u>	<u>726</u>	<u>23.18</u>														
32000	531	8.02	612	13.77	<u>685</u>	<u>19.91</u>	<u>752</u>	<u>26.34</u>	<u>816</u>	<u>33.08</u>												
36000	577	9.77	651	16.09	720	22.78	<u>783</u>	<u>29.79</u>	<u>843</u>	<u>37.13</u>	<u>899</u>	<u>44.48</u>	<u>955</u>	<u>52.38</u>								
44000	673	14.24	736	21.62	797	29.53	854	37.62	<u>908</u>	<u>46.06</u>	<u>958</u>	<u>54.56</u>	<u>1007</u>	<u>63.42</u>	<u>1055</u>	<u>72.53</u>	<u>1101</u>	<u>81.67</u>	<u>1146</u>	<u>91.03</u>		
52000	774	20.34	828	28.62	881	37.63	932	46.90	981	56.35	1028	66.06	1073	76.03	<u>1116</u>	<u>86.13</u>	<u>1158</u>	<u>96.48</u>	<u>1200</u>	<u>107.26</u>		
60000	<u>878</u>	<u>28.34</u>	<u>925</u>	<u>37.53</u>	<u>971</u>	<u>47.38</u>	<u>1017</u>	<u>57.90</u>	<u>1061</u>	<u>68.50</u>	<u>1104</u>	<u>79.29</u>	<u>1147</u>	<u>90.58</u>	<u>1187</u>	<u>101.71</u>	<u>1226</u>	<u>113.14</u>	<u>1264</u>	<u>124.79</u>		
68000			<u>1025</u>	<u>48.61</u>	<u>1066</u>	<u>59.34</u>	<u>1107</u>	<u>70.79</u>	<u>1147</u>	<u>82.60</u>	<u>1186</u>	<u>94.57</u>	<u>1225</u>	<u>106.87</u>	<u>1263</u>	<u>119.30</u>	<u>1300</u>	<u>131.89</u>	<u>1336</u>	<u>144.66</u>		
76000			<u>1127</u>	<u>62.09</u>	<u>1164</u>	<u>73.77</u>	<u>1201</u>	<u>86.08</u>	<u>1237</u>	<u>98.79</u>	<u>1273</u>	<u>111.99</u>	<u>1309</u>	<u>125.58</u>	<u>1343</u>	<u>138.87</u>	<u>1378</u>	<u>152.77</u>				

MAXIMUM RPM: CLASS I = 857 CLASS II = 1091 CLASS III = 1403 Outlet Area = 18.64 ft<sup>2</sup> Max. BHP = 62.10 x (RPM / 1000)<sup>3</sup>

### CPLF | Size 490 (9-Blade, Arr. 3)

Wheel Diameter: 49.00"

Fan Efficiency Grade = FEG80

CFM	1" SP		2" SP		3" SP		4" SP		5" SP		6" SP		7" SP		8" SP		9" SP		10" SP		12" SP	
	RPM	BHP	RPM	BHP	RPM	BHP	RPM	BHP	RPM	BHP	RPM	BHP	RPM	BHP	RPM	BHP	RPM	BHP	RPM	BHP	RPM	BHP
16000	381	<u>3.47</u>																				
18000	397	3.93	510	7.95																		
20000	414	4.42	<u>520</u>	<u>8.67</u>																		
24000	454	5.59	<u>550</u>	<u>10.46</u>	<u>634</u>	<u>15.65</u>																
28000	499	7.05	583	12.37	<u>663</u>	<u>18.29</u>	<u>734</u>	<u>24.33</u>	805	31.07												
32000	545	8.75	622	14.63	695	21.09	<u>763</u>	<u>27.86</u>	<u>825</u>	<u>34.71</u>	<u>887</u>	<u>42.18</u>										
36000	593	10.79	665	17.24	730	24.10	794	31.48	855	39.21	910	46.79	<u>965</u>	<u>54.94</u>	<u>1020</u>	<u>63.59</u>						
44000	693	16.04	756	23.59	813	31.53	<u>867</u>	<u>39.90</u>	<u>920</u>	<u>48.64</u>	<u>972</u>	<u>57.75</u>	<u>1022</u>	<u>67.09</u>	<u>1069</u>	<u>76.42</u>	<u>1114</u>	<u>85.81</u>	<u>1159</u>	<u>95.68</u>		
52000	795	22.92	853	31.88	904	40.86	952	50.22	998	59.97	1043	70.02	1088	80.46	<u>1132</u>	<u>91.14</u>	<u>1175</u>	<u>102.05</u>	<u>1217</u>	<u>113.23</u>		
60000	<u>899</u>	<u>31.77</u>	<u>952</u>	<u>42.11</u>	<u>999</u>	<u>52.33</u>	<u>1043</u>	<u>62.77</u>	<u>1086</u>	<u>73.74</u>	<u>1126</u>	<u>84.77</u>	<u>1165</u>	<u>96.07</u>	<u>1204</u>	<u>107.73</u>	<u>1243</u>	<u>119.72</u>	<u>1282</u>	<u>132.10</u>		
68000	<u>1005</u>	<u>42.97</u>	<u>1054</u>	<u>54.77</u>	<u>1098</u>	<u>66.40</u>	<u>1138</u>	<u>77.89</u>	<u>1177</u>	<u>89.76</u>	<u>1215</u>	<u>102.02</u>	<u>1251</u>	<u>114.41</u>	<u>1286</u>	<u>127.04</u>	<u>1321</u>	<u>140.08</u>	<u>1355</u>	<u>153.12</u>		
76000			<u>1156</u>	<u>69.75</u>	<u>1198</u>	<u>82.94</u>	<u>1236</u>	<u>95.83</u>	<u>1272</u>	<u>108.78</u>	<u>1307</u>	<u>122.01</u>	<u>1341</u>	<u>135.50</u>	<u>1374</u>	<u>149.26</u>						

MAXIMUM RPM: CLASS I = 857 CLASS II = 1091 CLASS III = 1403 Outlet Area = 18.64 ft<sup>2</sup> Max. BHP = 62.91 x (RPM / 1000)<sup>3</sup>

### CPLQN | Size 490 (12-Blade, Arr. 1 and 4)

Wheel Diameter: 49.00"

Fan Efficiency Grade = FEG80

CFM	1" SP		2" SP		3" SP		4" SP		5" SP		6" SP		7" SP		8" SP		9" SP		10" SP		12" SP	
	RPM	BHP	RPM	BHP	RPM	BHP	RPM	BHP	RPM	BHP	RPM	BHP	RPM	BHP	RPM	BHP	RPM	BHP	RPM	BHP	RPM	BHP
16000	372	<u>3.40</u>																				
18000	391	3.89																				
20000	412	4.44																				
24000	455	5.63	<u>539</u>	<u>10.30</u>																		
28000	501	7.05	579	12.35	<u>647</u>	<u>17.89</u>																
32000	549	8.76	622	14.70	685	20.81	<u>745</u>	<u>27.31</u>	808	34.40												
36000	598	10.74	667	17.32	727	24.12	782	31.14	834	38.31												
44000	698	15.66	761	23.61	816	31.73	<u>866</u>	<u>40.05</u>	<u>913</u>	<u>48.52</u>	<u>956</u>	<u>56.92</u>	<u>999</u>	<u>65.71</u>	<u>1044</u>	<u>75.13</u>	<u>1090</u>	<u>84.90</u>				
52000	801	22.16	858	31.43	910	41.00	956	50.54	999	60.28	1040	70.17	1080	80.33	<u>1116</u>	<u>90.10</u>	<u>1153</u>	<u>100.49</u>	<u>1189</u>	<u>110.89</u>	<u>1266</u>	<u>133.53</u>
60000	<u>906</u>	<u>30.48</u>	<u>959</u>	<u>41.25</u>	<u>1006</u>	<u>52.01</u>	<u>1050</u>	<u>63.00</u>	<u>1091</u>	<u>74.13</u>	<u>1129</u>	<u>85.29</u>	<u>1165</u>	<u>96.48</u>	<u>1201</u>	<u>108.09</u>	<u>1235</u>	<u>119.56</u>	<u>1268</u>	<u>131.19</u>	<u>1331</u>	<u>154.60</u>
68000	<u>1012</u>	<u>40.85</u>	<u>1061</u>	<u>53.07</u>	<u>1105</u>	<u>65.24</u>	<u>1146</u>	<u>77.53</u>	<u>1185</u>	<u>90.03</u>	<u>1221</u>	<u>102.42</u>	<u>1256</u>	<u>115.16</u>	<u>1289</u>	<u>127.86</u>	<u>1321</u>	<u>140.69</u>	<u>1352</u>	<u>153.55</u>		
76000			<u>1164</u>	<u>67.17</u>	<u>1206</u>	<u>80.89</u>	<u>1245</u>	<u>94.65</u>	<u>1281</u>	<u>108.30</u>	<u>1316</u>	<u>122.24</u>	<u>1349</u>	<u>136.12</u>	<u>1381</u>	<u>150.26</u>						

MAXIMUM RPM: CLASS I = 857 CLASS II = 1091 CLASS III = 1403 Outlet Area = 18.64 ft<sup>2</sup> Max. BHP = 65.99 x (RPM / 1000)<sup>3</sup>

### CPLQ | Size 490 (12-Blade, Arr. 3)

Wheel Diameter: 49.00"

Fan Efficiency Grade = FEG80

CFM	1" SP		2" SP		3" SP		4" SP		5" SP		6" SP		7" SP		8" SP		9" SP		10" SP		12" SP	
	RPM	BHP	RPM	BHP	RPM	BHP	RPM	BHP	RPM	BHP	RPM	BHP	RPM	BHP	RPM	BHP	RPM	BHP	RPM	BHP	RPM	BHP
16000	377	<u>3.51</u>																				
18000	396	4.01																				
20000	418	4.61	513	8.78																		
24000	466	6.00	546	10.60	625	15.82																
28000	516	7.69	588	12.86	<u>655</u>	<u>18.38</u>	724	24.63														
32000	567	9.70	635	15.51	695	21.57	<u>753</u>	<u>27.94</u>	<u>813</u>	<u>35.00</u>												
36000	618	12.02	685	18.64	739	25.17	792	32.08	<u>844</u>	<u>39.33</u>	<u>897</u>	<u>47.14</u>	<u>952</u>	<u>55.69</u>								
44000	724	18.00	785	26.02	837	34.03	<u>882</u>	<u>41.99</u>	<u>926</u>	<u>50.31</u>	<u>969</u>	<u>58.78</u>	<u>1012</u>	<u>67.64</u>	<u>1054</u>	<u>76.67</u>	<u>1098</u>	<u>86.45</u>	<u>1143</u>	<u>96.82</u>		
52000	833	26.01	888	35.38	938	44.98	982	54.47	1021	63.85	1058	73.36	1095	83.21	<u>1132</u>	<u>93.31</u>	<u>1168</u>	<u>103.51</u>	<u>1204</u>	<u>114.02</u>	<u>1276</u>	<u>135.90</u>
60000	<u>944</u>	<u>36.40</u>	<u>994</u>	<u>47.16</u>	<u>1040</u>	<u>58.11</u>	<u>1082</u>	<u>69.06</u>	<u>1121</u>	<u>80.07</u>	<u>1156</u>	<u>90.89</u>	<u>1189</u>	<u>101.76</u>	<u>1221</u>	<u>112.78</u>	<u>1253</u>	<u>124.09</u>	<u>128</u>			

CPLFN | Size 542 (9-Blade, Arr. 1 and 4)

Wheel Diameter: 54.25"

Fan Efficiency Grade = FEG85

Table with 13 columns for CFM (20000-95000) and 12 columns for SP (1" to 12") with sub-columns for RPM and BHP. Includes performance data for various airflow rates and static pressures.

MAXIMUM RPM: CLASS I = 775 CLASS II = 986 CLASS III = 1267 Outlet Area = 22.86 ft² Max. BHP = 103.4 x (RPM / 1000)³

CPLF | Size 542 (9-Blade, Arr. 3)

Wheel Diameter: 54.25"

Fan Efficiency Grade = FEG80

Table with 13 columns for CFM (20000-95000) and 12 columns for SP (1" to 12") with sub-columns for RPM and BHP. Includes performance data for various airflow rates and static pressures.

MAXIMUM RPM: CLASS I = 775 CLASS II = 986 CLASS III = 1267 Outlet Area = 22.86 ft² Max. BHP = 104.6 x (RPM / 1000)³

CPLQN | Size 542 (12-Blade, Arr. 1 and 4)

Wheel Diameter: 54.25"

Fan Efficiency Grade = FEG80

Table with 13 columns for CFM (20000-95000) and 12 columns for SP (1" to 12") with sub-columns for RPM and BHP. Includes performance data for various airflow rates and static pressures.

MAXIMUM RPM: CLASS I = 775 CLASS II = 986 CLASS III = 1267 Outlet Area = 22.86 ft² Max. BHP = 109.8 x (RPM / 1000)³

CPLQ | Size 542 (12-Blade, Arr. 3)

Wheel Diameter: 54.25"

Fan Efficiency Grade = FEG80

Table with 13 columns for CFM (20000-95000) and 12 columns for SP (1" to 12") with sub-columns for RPM and BHP. Includes performance data for various airflow rates and static pressures.

MAXIMUM RPM: CLASS I = 775 CLASS II = 986 CLASS III = 1267 Outlet Area = 22.86 ft² Max. BHP = 108.9 x (RPM / 1000)³

Class I = First white section

Class II = Blue shaded section

Class III = Bolded section after blue section

Underlined figures indicate Maximum Static Efficiency

Performance certified is for installation Type A; Free inlet, Free outlet. Power rating (BHP) does not include transmission losses. Performance ratings do not include the effects of appurtenances (accessories). Performance based on a shaft height of 37.90" above the base on fan size 542.

CPLFN | Size 600 (9-Blade, Arr. 1 and 4)

Wheel Diameter: 60.00"

Fan Efficiency Grade = FEG85

Table with 12 columns (CFM, 1" SP, 2" SP, 3" SP, 4" SP, 5" SP, 6" SP, 7" SP, 8" SP, 9" SP, 10" SP, 12" SP) and 15 rows of performance data including RPM and BHP values.

MAXIMUM RPM: CLASS I = 700 CLASS II = 891 CLASS III = 1146 Outlet Area = 27.98 ft² Max. BHP = 171.1 x (RPM / 1000)³

CPLF | Size 600 (9-Blade, Arr. 3)

Wheel Diameter: 60.00"

Fan Efficiency Grade = FEG80

Table with 12 columns (CFM, 1" SP, 2" SP, 3" SP, 4" SP, 5" SP, 6" SP, 7" SP, 8" SP, 9" SP, 10" SP, 12" SP) and 15 rows of performance data including RPM and BHP values.

MAXIMUM RPM: CLASS I = 700 CLASS II = 891 CLASS III = 1146 Outlet Area = 27.98 ft² Max. BHP = 173.1 x (RPM / 1000)³

CPLQN | Size 600 (12-Blade, Arr. 1 and 4)

Wheel Diameter: 60.00"

Fan Efficiency Grade = FEG80

Table with 12 columns (CFM, 1" SP, 2" SP, 3" SP, 4" SP, 5" SP, 6" SP, 7" SP, 8" SP, 9" SP, 10" SP, 12" SP) and 15 rows of performance data including RPM and BHP values.

MAXIMUM RPM: CLASS I = 700 CLASS II = 891 CLASS III = 1146 Outlet Area = 27.98 ft² Max. BHP = 181.9 x (RPM / 1000)³

CPLQ | Size 600 (12-Blade, Arr. 3)

Wheel Diameter: 60.00"

Fan Efficiency Grade = FEG80

Table with 12 columns (CFM, 1" SP, 2" SP, 3" SP, 4" SP, 5" SP, 6" SP, 7" SP, 8" SP, 9" SP, 10" SP, 12" SP) and 15 rows of performance data including RPM and BHP values.

MAXIMUM RPM: CLASS I = 700 CLASS II = 891 CLASS III = 1146 Outlet Area = 27.98 ft² Max. BHP = 180.2 x (RPM / 1000)³

Class I = First white section
Class II = Blue shaded section
Class III = Bolded section after blue section
Underlined figures indicate Maximum Static Efficiency

Performance certified is for installation Type A; Free inlet, Free outlet.
Power rating (BHP) does not include transmission losses.
Performance ratings do not include the effects of appurtenances (accessories).
Performance based on a shaft height of 41.92" above the base on fan size 600.

### CPLFN | Size 660 (9-Blade, Arr. 1 and 4)

Wheel Diameter: 66.00" Fan Efficiency Grade = FEG85

CFM	1" SP		2" SP		3" SP		4" SP		5" SP		6" SP		7" SP		8" SP		9" SP		10" SP		12" SP	
	RPM	BHP	RPM	BHP	RPM	BHP	RPM	BHP	RPM	BHP	RPM	BHP	RPM	BHP	RPM	BHP	RPM	BHP	RPM	BHP	RPM	BHP
30000	282	6.17																				
35000	299	7.31	379	14.52																		
40000	317	8.53	392	16.50																		
45000	337	9.97	407	18.57	469	27.85																
53000	371	12.59	435	22.29	492	32.80	544	43.64														
61000	408	15.79	466	26.64	519	38.20	567	50.20	613	62.77	657	75.78										
69000	446	19.54	499	31.57	549	44.33	594	57.40	637	71.20	678	85.32	717	99.59	756	114.81						
77000	486	24.13	534	37.15	580	50.97	623	65.19	664	80.20	702	95.29	740	111.32	775	126.80	810	143.08	845	160.24		
93000	568	35.82	608	50.55	648	66.76	686	83.28	723	100.34	759	118.17	792	135.79	824	153.85	856	172.78	887	191.87		
109000	653	51.66	687	68.12	722	86.31	756	105.39	788	124.36	821	144.53	852	164.54	882	184.95	911	205.76	939	226.79		
125000			769	90.56	799	110.16	829	131.05	859	153.00	888	175.16	916	197.31	944	220.10	971	242.96	998	266.68		
141000			853	118.46	880	140.06	907	162.78	933	186.09	959	210.28	985	235.18	1011	260.66	1036	285.91				

MAXIMUM RPM: CLASS I = 637 CLASS II = 810 CLASS III = 1041 Outlet Area = 33.84 ft<sup>2</sup> Max. BHP = 275.4 x (RPM / 1000)<sup>3</sup>

### CPLF | Size 660 (9-Blade, Arr. 3)

Wheel Diameter: 66.00" Fan Efficiency Grade = FEG80

CFM	1" SP		2" SP		3" SP		4" SP		5" SP		6" SP		7" SP		8" SP		9" SP		10" SP		12" SP	
	RPM	BHP	RPM	BHP	RPM	BHP	RPM	BHP	RPM	BHP	RPM	BHP	RPM	BHP	RPM	BHP	RPM	BHP	RPM	BHP	RPM	BHP
30000	286	6.52																				
35000	303	7.72	383	15.24																		
40000	322	9.06	397	17.36	464	26.54																
45000	344	10.67	413	19.65	475	29.37	534	40.05														
53000	381	13.69	441	23.58	499	34.64	551	46.01	601	58.17												
61000	419	17.31	474	28.30	526	40.37	576	53.27	621	66.15	664	79.52	708	94.23								
69000	459	21.75	510	33.83	557	46.93	602	60.63	646	75.17	687	89.90	726	104.94	764	120.50	803	137.36				
77000	500	27.04	548	40.35	591	54.34	632	69.07	673	84.73	712	100.67	750	117.31	785	133.58	819	150.20	854	168.21		
93000	583	40.25	626	56.15	665	72.48	701	89.33	735	106.64	769	124.76	803	143.65	836	162.84	868	182.36	899	202.19		
109000	668	57.77	708	76.75	743	95.40	775	114.11	807	134.08	837	154.30	866	174.88	895	196.12	924	217.98	952	239.80		
125000	755	80.52	791	102.19	823	123.38	853	144.72	882	166.65	910	189.14	936	211.50	962	234.79	988	258.88	1013	282.83		
141000			875	133.21	905	157.30	934	181.86	960	205.63	986	230.36	1011	255.36	1035	280.62						

MAXIMUM RPM: CLASS I = 637 CLASS II = 810 CLASS III = 1041 Outlet Area = 33.84 ft<sup>2</sup> Max. BHP = 278.8 x (RPM / 1000)<sup>3</sup>

### CPLQN | Size 660 (12-Blade, Arr. 1 and 4)

Wheel Diameter: 66.00" Fan Efficiency Grade = FEG80

CFM	1" SP		2" SP		3" SP		4" SP		5" SP		6" SP		7" SP		8" SP		9" SP		10" SP		12" SP	
	RPM	BHP	RPM	BHP	RPM	BHP	RPM	BHP	RPM	BHP	RPM	BHP	RPM	BHP	RPM	BHP	RPM	BHP	RPM	BHP	RPM	BHP
30000	280	6.42																				
35000	300	7.67																				
40000	322	9.12	388	17.10																		
45000	345	10.74	406	19.41	465	29.07																
53000	383	13.71	440	23.75	488	33.91	539	45.48														
61000	422	17.25	475	28.49	521	40.11	563	52.08	607	65.26												
69000	462	21.43	513	34.14	556	47.02	596	60.37	633	73.92	671	88.42	710	103.59								
77000	503	26.38	551	40.36	593	54.78	631	69.49	666	84.27	699	99.27	732	114.86	767	131.64						
93000	587	38.87	631	55.78	669	72.67	704	90.01	736	107.44	767	125.33	796	143.13	823	160.70	851	179.51	878	198.13	936	238.73
109000	673	55.36	712	74.80	748	94.74	780	114.44	810	134.42	839	155.09	866	175.62	892	196.25	918	217.61	942	238.40	988	280.28
125000	760	76.42	796	98.84	829	121.44	859	143.92	887	166.44	914	189.40	940	212.86	964	235.90	988	259.72	1011	283.43		
141000			881	128.07	912	153.65	940	178.84	967	204.50	992	229.85	1016	255.36	1040	281.83						

MAXIMUM RPM: CLASS I = 637 CLASS II = 810 CLASS III = 1041 Outlet Area = 33.84 ft<sup>2</sup> Max. BHP = 292.8 x (RPM / 1000)<sup>3</sup>

### CPLQ | Size 660 (12-Blade, Arr. 3)

Wheel Diameter: 66.00" Fan Efficiency Grade = FEG80

CFM	1" SP		2" SP		3" SP		4" SP		5" SP		6" SP		7" SP		8" SP		9" SP		10" SP		12" SP	
	RPM	BHP	RPM	BHP	RPM	BHP	RPM	BHP	RPM	BHP	RPM	BHP	RPM	BHP	RPM	BHP	RPM	BHP	RPM	BHP	RPM	BHP
30000	283	6.56																				
35000	304	7.93	378	15.46																		
40000	328	9.57	392	17.49																		
45000	353	11.42	411	19.96	468	29.60																
53000	394	14.93	447	24.74	495	35.05	543	46.34														
61000	436	19.19	486	30.28	529	41.72	570	53.53	612	66.48	656	80.93										
69000	479	24.32	527	36.85	567	49.49	604	62.40	641	76.03	677	90.07	715	105.60								
77000	522	30.28	568	44.29	607	58.33	641	72.34	675	87.13	708	102.21	740	117.54	774	134.47	808	152.07				
93000	611	45.70	652	62.42	689	79.46	722	96.50	751	113.24	779	130.42	807	148.19	835	166.48	862	184.80	889	203.68	944	243.74
109000	702	66.34	739	85.88	773	105.73	804	125.56	833	145.59	859	165.25	884	185.33	907	204.86	931	225.59	955	246.70	1002	289.69
125000			827	115.08	859	138.01	888	160.69	916	183.92	941	206.32	965	229.04	988	252.09	1009	274.45	1030	297.47		
141000			917	151.42	946	176.86	973	202.25	999	228.04	1024	254.13										

MAXIMUM RPM: CLASS I = 637 CLASS II = 810 CLASS III = 1041 Outlet Area = 33.84 ft<sup>2</sup> Max. BHP = 290.2 x (RPM / 1000)<sup>3</sup>

Class I = First white section  
 Class II = Blue shaded section  
 Class III = Bolded section after blue section  
 Underlined figures indicate Maximum Static Efficiency

Performance certified is for installation Type A; Free inlet, Free outlet.  
 Power rating (BHP) does not include transmission losses.  
 Performance ratings do not include the effects of appurtenances (accessories).  
 Performance based on a shaft height of 46.11" above the base on fan size 660.

**CPLFN | Size 730 (9-Blade, Arr. 1 and 4)**      Wheel Diameter: 73.00"      Fan Efficiency Grade = FEG85

CFM	1" SP		2" SP		3" SP		4" SP		5" SP		6" SP		7" SP		8" SP		9" SP		10" SP		12" SP	
	RPM	BHP	RPM	BHP	RPM	BHP	RPM	BHP	RPM	BHP	RPM	BHP	RPM	BHP	RPM	BHP	RPM	BHP	RPM	BHP	RPM	BHP
40000	263	8.28																				
45000	276	9.45	<u>346</u>	<u>18.52</u>																		
50000	290	10.76	<u>357</u>	<u>20.68</u>																		
55000	305	12.23	<u>368</u>	<u>22.72</u>	<u>424</u>	<u>34.06</u>																
60000	320	13.76	381	25.06	434	37.07	484	49.94														
70000	353	17.40	408	30.02	457	43.43	503	57.78	546	72.49												
80000	387	21.63	437	35.69	484	50.77	526	66.27	566	82.49	604	99.02	641	116.27								
90000	424	27.03	469	42.42	512	58.71	552	75.63	589	93.01	625	111.25	660	130.06	693	148.77	726	168.56				
110000	499	40.70	537	58.52	574	77.82	609	97.38	643	117.67	676	138.96	706	159.78	736	181.75	765	203.99	794	227.10		
130000	577	59.46	609	79.38	641	101.11	672	123.77	702	146.75	732	170.68	761	195.11	788	219.30	815	244.70	840	269.38		
150000			684	106.25	712	130.12	740	155.62	767	181.73	793	207.92	819	234.82	845	262.60	870	290.49	894	318.48		
170000			761	139.92	786	166.17	811	193.85	835	222.24	859	251.71	883	282.04	906	312.07	929	342.76				

MAXIMUM RPM: CLASS I = 576      CLASS II = 733      CLASS III = 942      Outlet Area = 41.41 ft<sup>2</sup>      Max. BHP = 456.2 x (RPM / 1000)<sup>3</sup>

**CPLF | Size 730 (9-Blade, Arr. 3)**      Wheel Diameter: 73.00"      Fan Efficiency Grade = FEG80

CFM	1" SP		2" SP		3" SP		4" SP		5" SP		6" SP		7" SP		8" SP		9" SP		10" SP		12" SP	
	RPM	BHP	RPM	BHP	RPM	BHP	RPM	BHP	RPM	BHP	RPM	BHP	RPM	BHP	RPM	BHP	RPM	BHP	RPM	BHP	RPM	BHP
40000	267	8.78	342	17.60																		
45000	280	10.02	350	19.46																		
50000	295	11.47	362	21.82	421	33.06																
55000	311	13.06	<u>373</u>	<u>23.96</u>	<u>429</u>	<u>35.81</u>	483	49.04														
60000	327	14.73	386	26.45	440	39.12	489	52.37														
70000	362	18.91	414	31.78	464	46.08	510	60.98	552	76.08	594	92.54										
80000	399	24.12	447	38.41	491	53.81	533	69.87	574	87.08	611	103.97	648	122.12	685	141.41						
90000	436	30.16	481	45.92	521	62.50	560	80.18	598	98.66	634	117.52	668	136.62	701	156.31	733	176.40	766	198.18		
110000	513	45.89	552	64.52	588	83.95	621	103.97	653	124.90	685	146.80	716	169.06	747	192.44	776	215.47	804	238.77		
130000	591	66.70	627	89.03	659	111.22	689	133.94	718	157.71	745	181.57	772	206.44	799	232.09	826	258.60	852	285.05		
150000	671	94.01	704	120.01	733	145.30	761	171.32	787	197.36	812	223.99	837	252.01	860	279.36	884	308.58	907	337.47		
170000			781	157.49	809	186.94	835	216.23	859	245.17	882	274.40	905	304.80	927	335.49						

MAXIMUM RPM: CLASS I = 576      CLASS II = 733      CLASS III = 942      Outlet Area = 41.41 ft<sup>2</sup>      Max. BHP = 461.8 x (RPM / 1000)<sup>3</sup>

**CPLQN | Size 730 (12-Blade, Arr. 1 and 4)**      Wheel Diameter: 73.00"      Fan Efficiency Grade = FEG80

CFM	1" SP		2" SP		3" SP		4" SP		5" SP		6" SP		7" SP		8" SP		9" SP		10" SP		12" SP	
	RPM	BHP	RPM	BHP	RPM	BHP	RPM	BHP	RPM	BHP	RPM	BHP	RPM	BHP	RPM	BHP	RPM	BHP	RPM	BHP	RPM	BHP
40000	262	8.59																				
45000	278	9.97	343	19.32																		
50000	295	11.52	<u>353</u>	<u>21.33</u>																		
55000	311	13.02	366	23.55	420	35.46																
60000	329	14.87	382	26.28	<u>429</u>	<u>38.26</u>																
70000	365	19.00	414	31.96	457	45.50	498	59.87														
80000	401	23.76	448	38.49	489	53.85	525	69.13	560	85.12	598	102.96										
90000	439	29.61	483	45.89	522	62.96	557	80.19	589	97.50	620	115.33	653	134.78	686	154.57						
110000	516	44.27	556	64.11	591	84.14	623	104.69	653	125.70	681	146.64	707	167.41	733	189.15	759	211.62	785	234.46	840	283.65
130000	595	63.87	631	87.12	664	110.94	693	134.32	721	158.62	747	183.02	772	207.79	796	232.62	819	257.56	841	282.52	884	333.53
150000	676	89.52	708	116.01	738	143.01	766	170.38	792	197.79	816	224.95	840	253.46	862	281.30	884	310.09				
170000			787	151.93	815	182.62	840	212.61	865	243.87	888	274.68	910	305.64	931	336.76						

MAXIMUM RPM: CLASS I = 576      CLASS II = 733      CLASS III = 942      Outlet Area = 41.41 ft<sup>2</sup>      Max. BHP = 484.4 x (RPM / 1000)<sup>3</sup>

**CPLQ | Size 730 (12-Blade, Arr. 3)**      Wheel Diameter: 73.00"      Fan Efficiency Grade = FEG80

CFM	1" SP		2" SP		3" SP		4" SP		5" SP		6" SP		7" SP		8" SP		9" SP		10" SP		12" SP	
	RPM	BHP	RPM	BHP	RPM	BHP	RPM	BHP	RPM	BHP	RPM	BHP	RPM	BHP	RPM	BHP	RPM	BHP	RPM	BHP	RPM	BHP
40000	266	8.92																				
45000	283	10.45	<u>345</u>	<u>19.63</u>																		
50000	300	12.03	357	21.85																		
55000	319	13.96	371	24.31	423	36.17																
60000	338	16.06	387	27.14	434	39.28	483	53.29														
70000	376	20.87	422	33.59	463	46.94	503	61.14	544	76.79												
80000	415	26.70	460	41.40	497	56.17	532	71.35	567	87.50	602	104.59	639	123.62								
90000	455	33.72	498	50.26	533	66.50	565	83.17	597	100.71	628	118.68	659	137.50	691	157.74	724	179.48				
110000	537	51.88	575	71.76	609	91.99	639	112.17	665	131.73	691	152.24	717	173.36	743	195.24	768	217.09	793	239.61	846	289.40
130000	620	76.15	654	99.40	686	123.49	714	146.97	741	171.28	764	194.31	787	218.44	809	242.62	831	267.35	853	292.58	895	342.82
150000			736	135.10	765	162.48	791	189.37	817	217.60	840	244.70	862	272.21	882	299.04	901	325.76				
170000			819	179.31	845	209.67	870	240.60	894	272.01	916	302.77	938	334.67								

MAXIMUM RPM: CLASS I = 576      CLASS II = 733      CLASS III = 942      Outlet Area = 41.41 ft<sup>2</sup>      Max. BHP = 480.2 x (RPM / 1000)<sup>3</sup>

Class I = First white section  
 Class II = Blue shaded section  
 Class III = Bolded section after blue section  
 Underlined figures indicate Maximum Static Efficiency

Performance certified is for installation Type A; Free inlet, Free outlet.  
 Power rating (BHP) does not include transmission losses.  
 Performance ratings do not include the effects of appurtenances (accessories).  
 Performance based on a shaft height of 51.00" above the base on fan size 730.

**CPLFN | Size 807 (9-Blade, Arr. 1 and 4)**

Wheel Diameter: 80.75"

Fan Efficiency Grade = FEG85

CFM	1" SP		2" SP		3" SP		4" SP		5" SP		6" SP		7" SP		8" SP		10" SP		12" SP		
	RPM	BHP	RPM	BHP	RPM	BHP	RPM	BHP	RPM	BHP	RPM	BHP	RPM	BHP	RPM	BHP	RPM	BHP	RPM	BHP	
45000	231	<u>9.30</u>																			
50000	240	10.41																			
55000	249	11.50	313	<u>22.70</u>																	
60000	260	12.89	<u>321</u>	24.84																	
70000	281	15.66	338	29.10	<u>387</u>	<u>43.22</u>															
90000	330	23.05	378	39.12	422	56.39	<u>462</u>	<u>74.42</u>	<u>499</u>	<u>92.59</u>	<u>536</u>	<u>112.37</u>									
110000	383	33.01	424	51.93	463	71.92	<u>499</u>	<u>92.55</u>	<u>533</u>	<u>114.16</u>	<u>565</u>	<u>136.11</u>	<u>596</u>	<u>158.59</u>	<u>626</u>	<u>181.56</u>					
130000	438	46.18	473	67.26	508	90.47	541	114.09	572	138.11	602	163.31	630	188.53	<b>657</b>	<b>214.15</b>	<b>710</b>	<b>267.66</b>	<b>761</b>	<b>323.43</b>	
150000	495	63.36	526	86.85	556	112.10	586	138.91	615	166.23	<b>642</b>	<b>193.28</b>	<b>669</b>	<b>221.94</b>	<b>694</b>	<b>250.23</b>	<b>743</b>	<b>309.70</b>	<b>790</b>	<b>371.12</b>	
170000			581	111.11	608	138.76	634	167.54	<b>660</b>	<b>197.50</b>	<b>686</b>	<b>228.50</b>	<b>711</b>	<b>259.71</b>	<b>735</b>	<b>291.15</b>	<b>781</b>	<b>355.99</b>			
190000			637	140.31	<b>661</b>	<b>169.89</b>	<b>685</b>	<b>201.33</b>	<b>709</b>	<b>234.34</b>	<b>733</b>	<b>268.57</b>	<b>755</b>	<b>301.44</b>	<b>778</b>	<b>336.41</b>					
210000			<b>694</b>	<b>175.19</b>	<b>716</b>	<b>207.24</b>	<b>738</b>	<b>240.93</b>	<b>760</b>	<b>276.36</b>	<b>782</b>	<b>313.25</b>									

**MAXIMUM RPM:** CLASS I = 488 CLASS II = 637 CLASS III = 802 **Outlet Area** = 50.65 ft<sup>2</sup> **Max. BHP** = 754.3 x (RPM / 1000)<sup>3</sup>

**CPLF | Size 807 (9-Blade, Arr. 3)**

Wheel Diameter: 80.75"

Fan Efficiency Grade = FEG80

CFM	1" SP		2" SP		3" SP		4" SP		5" SP		6" SP		7" SP		8" SP		10" SP		12" SP		
	RPM	BHP	RPM	BHP	RPM	BHP	RPM	BHP	RPM	BHP	RPM	BHP	RPM	BHP	RPM	BHP	RPM	BHP	RPM	BHP	
45000	234	<u>9.79</u>																			
50000	243	10.96	310	21.86																	
55000	253	12.25	<u>317</u>	<u>23.93</u>																	
60000	264	13.68	<u>325</u>	<u>26.11</u>	379	39.68															
70000	287	16.77	<u>342</u>	<u>30.56</u>	<u>392</u>	<u>45.55</u>	438	61.47													
90000	339	25.26	385	41.75	427	59.29	<u>468</u>	<u>78.29</u>	<u>505</u>	<u>97.32</u>	<u>541</u>	<u>117.48</u>	<u>578</u>	<u>139.79</u>							
110000	394	36.88	434	55.89	471	76.50	<u>506</u>	<u>97.98</u>	<u>540</u>	<u>120.32</u>	<u>573</u>	<u>143.68</u>	<u>604</u>	<u>167.24</u>	<u>633</u>	<u>190.57</u>	<b>693</b>	<b>242.94</b>			
130000	450	51.88	487	74.32	520	97.36	551	121.62	580	146.10	610	172.47	<b>639</b>	<b>199.38</b>	<b>667</b>	<b>226.81</b>	<b>719</b>	<b>281.72</b>	<b>769</b>	<b>339.15</b>	
150000	508	71.36	542	97.25	572	123.07	600	149.61	627	177.42	<b>653</b>	<b>205.94</b>	<b>678</b>	<b>234.52</b>	<b>704</b>	<b>265.15</b>	<b>754</b>	<b>327.76</b>	<b>801</b>	<b>391.61</b>	
170000	566	95.28	598	125.00	626	154.10	<b>652</b>	<b>183.52</b>	<b>677</b>	<b>213.88</b>	<b>700</b>	<b>244.10</b>	<b>724</b>	<b>276.88</b>	<b>746</b>	<b>308.52</b>	<b>792</b>	<b>376.91</b>			
190000	625	124.78	<b>655</b>	<b>158.28</b>	<b>681</b>	<b>190.60</b>	<b>705</b>	<b>222.75</b>	<b>728</b>	<b>255.49</b>	<b>751</b>	<b>289.86</b>	<b>772</b>	<b>323.61</b>							
210000			<b>712</b>	<b>197.06</b>	<b>737</b>	<b>233.31</b>	<b>760</b>	<b>269.10</b>	<b>782</b>	<b>305.28</b>											

**MAXIMUM RPM:** CLASS I = 488 CLASS II = 637 CLASS III = 802 **Outlet Area** = 50.65 ft<sup>2</sup> **Max. BHP** = 794.9 x (RPM / 1000)<sup>3</sup>

**CPLQN | Size 807 (12-Blade, Arr. 1 and 4)**

Wheel Diameter: 80.75"

Fan Efficiency Grade = FEG80

CFM	1" SP		2" SP		3" SP		4" SP		5" SP		6" SP		7" SP		8" SP		10" SP		12" SP		
	RPM	BHP	RPM	BHP	RPM	BHP	RPM	BHP	RPM	BHP	RPM	BHP	RPM	BHP	RPM	BHP	RPM	BHP	RPM	BHP	
45000	229	9.62																			
50000	240	10.89																			
55000	251	12.16	310	23.62																	
60000	263	13.62	<u>317</u>	<u>25.57</u>																	
70000	289	17.03	337	30.21	<u>383</u>	<u>44.88</u>															
90000	341	25.11	385	41.82	423	59.08	<u>458</u>	<u>76.99</u>	<u>494</u>	<u>96.24</u>											
110000	397	36.28	437	56.32	471	76.63	503	97.83	532	119.01	<u>560</u>	<u>140.75</u>	<u>590</u>	<u>164.63</u>	<u>620</u>	<u>188.93</u>					
130000	453	50.29	490	73.81	522	97.46	552	122.26	579	146.79	605	171.90	629	196.75	<b>653</b>	<b>222.62</b>	<b>703</b>	<b>278.18</b>			
150000	511	68.39	545	95.35	575	122.45	603	150.28	628	177.81	<b>653</b>	<b>206.93</b>	<b>676</b>	<b>235.40</b>	<b>698</b>	<b>264.04</b>	<b>740</b>	<b>322.49</b>	<b>782</b>	<b>383.96</b>	
170000	570	90.99	602	121.84	630	152.38	<b>656</b>	<b>183.32</b>	<b>680</b>	<b>214.27</b>	<b>703</b>	<b>246.01</b>	<b>725</b>	<b>278.24</b>	<b>746</b>	<b>310.55</b>	<b>786</b>	<b>375.66</b>			
190000	630	118.82	<b>659</b>	<b>152.84</b>	<b>685</b>	<b>186.59</b>	<b>710</b>	<b>221.29</b>	<b>733</b>	<b>255.79</b>	<b>755</b>	<b>290.76</b>	<b>776</b>	<b>326.22</b>	<b>796</b>	<b>361.89</b>					
210000			<b>717</b>	<b>189.61</b>	<b>742</b>	<b>227.34</b>	<b>765</b>	<b>264.87</b>	<b>787</b>	<b>302.91</b>											

**MAXIMUM RPM:** CLASS I = 488 CLASS II = 637 CLASS III = 802 **Outlet Area** = 50.65 ft<sup>2</sup> **Max. BHP** = 803.3 x (RPM / 1000)<sup>3</sup>

**CPLQ | Size 807 (12-Blade, Arr. 3)**

Wheel Diameter: 80.75"

Fan Efficiency Grade = FEG80

CFM	1" SP		2" SP		3" SP		4" SP		5" SP		6" SP		7" SP		8" SP		10" SP		12" SP		
	RPM	BHP	RPM	BHP	RPM	BHP	RPM	BHP	RPM	BHP	RPM	BHP	RPM	BHP	RPM	BHP	RPM	BHP	RPM	BHP	
45000	232	9.91																			
50000	243	11.22																			
55000	255	12.67	312	<u>24.04</u>																	
60000	268	14.30	<u>320</u>	<u>26.08</u>																	
70000	296	18.19	342	31.33	<u>386</u>	<u>45.70</u>															
90000	353	28.08	394	44.47	429	61.21	<u>463</u>	<u>78.76</u>	<u>498</u>	<u>98.12</u>	<u>534</u>	<u>119.29</u>									
110000	411	41.18	450	61.44	482	81.48	510	101.34	539	122.77	<u>567</u>	<u>144.67</u>	<u>595</u>	<u>167.61</u>	<u>624</u>	<u>192.35</u>					
130000	471	58.61	507	82.53	538	106.41	564	129.42	589	153.41	613	177.69	638	203.65	<b>661</b>	<b>228.69</b>	<b>709</b>	<b>283.48</b>	<b>759</b>	<b>344.14</b>	
150000	533	81.40	565	108.37	594	135.73	620	162.90	<b>644</b>	<b>190.40</b>	<b>666</b>	<b>217.82</b>	<b>687</b>	<b>245.44</b>	<b>708</b>	<b>273.81</b>	<b>750</b>	<b>332.72</b>	<b>791</b>	<b>393.66</b>	
170000	595	109.63	624	139.79	<b>652</b>	<b>171.31</b>	<b>677</b>	<b>202.37</b>	<b>700</b>	<b>233.26</b>	<b>721</b>	<b>263.77</b>	<b>741</b>	<b>294.77</b>	<b>760</b>	<b>325.84</b>	<b>797</b>	<b>389.24</b>			
190000			<b>685</b>	<b>178.45</b>	<b>710</b>	<b>212.49</b>	<b>734</b>	<b>247.38</b>	<b>757</b>	<b>282.96</b>	<b>778</b>	<b>317.86</b>	<b>797</b>	<b>351.70</b>							
210000			<b>747</b>	<b>224.73</b>	<b>770</b>	<b>261.91</b>	<b>792</b>	<b>299.58</b>													

**MAXIMUM RPM:** CLASS I = 488 CLASS II = 637 CLASS III = 802 **Outlet Area** = 50.65 ft<sup>2</sup> **Max. BHP** = 794.7 x (RPM / 1000)<sup>3</sup>

- Class I = First white section
- Class II = Blue shaded section
- Class III = Bolded section after blue section
- Underlined figures indicate Maximum Static Efficiency

Performance certified is for installation Type A; Free inlet, Free outlet.  
 Power rating (BHP) does not include transmission losses.  
 Performance ratings do not include the effects of appurtenances (accessories).  
 Performance based on a shaft height of 56.41" above the base on fan size 807.

**CPLFN | Size 890 (9-Blade, Arr. 1 and 4)**

Wheel Diameter: 89.00"

Fan Efficiency Grade = FEG85

CFM	1" SP		2" SP		3" SP		4" SP		5" SP		6" SP		7" SP		8" SP		10" SP		12" SP	
	RPM	BHP	RPM	BHP	RPM	BHP	RPM	BHP	RPM	BHP	RPM	BHP	RPM	BHP	RPM	BHP	RPM	BHP	RPM	BHP
70000	231	14.82	<u>287</u>	<u>28.71</u>																
80000	247	17.60	<u>300</u>	<u>33.16</u>	<u>346</u>	<u>49.60</u>														
90000	264	20.75	313	37.39	<u>357</u>	<u>55.63</u>	398	74.99												
100000	282	24.30	328	42.34	<u>369</u>	<u>61.70</u>	408	<u>82.62</u>	<u>444</u>	<u>103.94</u>										
110000	301	28.38	344	47.88	383	68.52	<u>420</u>	<u>90.96</u>	<u>454</u>	<u>113.54</u>	487	137.32								
120000	320	32.81	361	54.06	398	75.93	<u>433</u>	<u>99.52</u>	<u>466</u>	<u>124.09</u>	<u>497</u>	<u>148.84</u>	<u>527</u>	<u>174.47</u>						
140000	360	43.73	396	67.57	430	92.62	<u>462</u>	<u>118.55</u>	<u>492</u>	<u>145.48</u>	<u>521</u>	<u>173.70</u>	<u>548</u>	<u>201.58</u>	<u>575</u>	<u>230.90</u>	<u>627</u>	<u>291.88</u>		
160000	402	57.78	434	84.01	<u>464</u>	<u>111.61</u>	494	140.81	<u>522</u>	<u>170.30</u>	<u>549</u>	<u>201.11</u>	<u>574</u>	<u>231.71</u>	<u>599</u>	<u>263.99</u>	<u>647</u>	<u>330.07</u>	<u>692</u>	<u>396.82</u>
180000	<u>445</u>	<u>75.17</u>	<u>473</u>	<u>103.26</u>	501	134.10	<u>528</u>	<u>165.97</u>	<u>554</u>	<u>198.28</u>	<u>579</u>	<u>231.19</u>	<u>604</u>	<u>266.19</u>	<u>627</u>	<u>300.56</u>	<u>671</u>	<u>371.08</u>	<u>714</u>	<u>445.07</u>
200000	488	95.89	<u>513</u>	<u>126.01</u>	539	159.49	564	194.40	<u>588</u>	<u>229.70</u>	<u>611</u>	<u>264.99</u>	<u>634</u>	<u>301.71</u>	<u>657</u>	<u>340.30</u>	<u>699</u>	<u>416.74</u>		
240000			<b>597</b>	<b>185.24</b>	<b>619</b>	<b>223.23</b>	<b>640</b>	<b>262.49</b>	<b>661</b>	<b>303.74</b>	<b>681</b>	<b>345.05</b>	<b>701</b>	<b>387.34</b>	<b>721</b>	<b>430.66</b>				
280000			<b>684</b>	<b>264.85</b>	<b>702</b>	<b>306.52</b>	<b>720</b>	<b>349.82</b>												

MAXIMUM RPM: CLASS I = 443 CLASS II = 578 CLASS III = 728 Outlet Area = 61.53 ft<sup>2</sup> Max. BHP = 1227 x (RPM / 1000)<sup>3</sup>

**CPLF | Size 890 (9-Blade, Arr. 3)**

Wheel Diameter: 89.00"

Fan Efficiency Grade = FEG80

CFM	1" SP		2" SP		3" SP		4" SP		5" SP		6" SP		7" SP		8" SP		10" SP		12" SP	
	RPM	BHP	RPM	BHP	RPM	BHP	RPM	BHP	RPM	BHP	RPM	BHP	RPM	BHP	RPM	BHP	RPM	BHP	RPM	BHP
70000	234	15.63	<u>291</u>	<u>30.34</u>																
80000	252	18.85	304	34.93	<u>350</u>	<u>52.16</u>														
90000	270	22.27	318	39.80	<u>362</u>	<u>58.73</u>	402	78.56												
100000	289	26.30	333	44.96	375	65.58	<u>413</u>	<u>86.85</u>	<u>449</u>	<u>109.29</u>	<u>485</u>	<u>133.67</u>								
110000	309	31.05	350	50.93	389	72.86	<u>426</u>	<u>96.06</u>	<u>459</u>	<u>118.96</u>	<u>492</u>	<u>143.94</u>	525	170.78						
120000	329	36.30	368	57.56	404	80.61	439	105.13	<u>472</u>	<u>130.50</u>	<u>503</u>	<u>156.46</u>	<u>532</u>	<u>182.42</u>	<u>562</u>	<u>211.03</u>				
140000	371	49.26	406	73.18	438	98.63	<u>469</u>	<u>125.86</u>	499	154.00	<u>528</u>	<u>183.05</u>	<u>556</u>	<u>213.11</u>	<u>582</u>	<u>242.73</u>	<u>633</u>	<u>305.43</u>		
160000	413	64.95	<u>446</u>	<u>92.40</u>	476	120.90	503	149.87	530	180.80	<u>556</u>	<u>212.09</u>	<u>582</u>	<u>244.88</u>	<u>608</u>	<u>279.47</u>	<u>655</u>	<u>346.96</u>	<u>700</u>	<u>417.26</u>
180000	<u>456</u>	<u>84.25</u>	487	115.25	514	145.89	540	178.16	<u>565</u>	<u>211.98</u>	<u>588</u>	<u>245.32</u>	<u>612</u>	<u>281.14</u>	<u>635</u>	<u>316.88</u>	<u>681</u>	<u>392.74</u>	<u>724</u>	<u>469.85</u>
200000	500	107.76	<u>529</u>	<u>142.30</u>	554	175.76	578	210.38	<u>602</u>	<u>247.39</u>	<u>624</u>	<u>284.25</u>	<u>645</u>	<u>321.38</u>	<u>666</u>	<u>359.68</u>	<u>709</u>	<u>441.33</u>		
240000			<b>614</b>	<b>209.43</b>	<b>637</b>	<b>250.24</b>	<b>658</b>	<b>290.39</b>	<b>679</b>	<b>332.38</b>	<b>699</b>	<b>374.84</b>	<b>718</b>	<b>417.63</b>						
280000			<b>700</b>	<b>296.50</b>	<b>722</b>	<b>345.85</b>														

MAXIMUM RPM: CLASS I = 443 CLASS II = 578 CLASS III = 728 Outlet Area = 61.53 ft<sup>2</sup> Max. BHP = 1244 x (RPM / 1000)<sup>3</sup>

**CPLQN | Size 890 (12-Blade, Arr. 1 and 4)**

Wheel Diameter: 89.00"

Fan Efficiency Grade = FEG80

CFM	1" SP		2" SP		3" SP		4" SP		5" SP		6" SP		7" SP		8" SP		10" SP		12" SP	
	RPM	BHP	RPM	BHP	RPM	BHP	RPM	BHP	RPM	BHP	RPM	BHP	RPM	BHP	RPM	BHP	RPM	BHP	RPM	BHP
70000	234	15.80	284	29.80																
80000	252	18.82	298	34.35																
90000	271	22.30	315	39.60	<u>353</u>	<u>57.44</u>														
100000	291	26.39	332	44.99	368	64.49	<u>403</u>	<u>85.24</u>												
110000	311	30.90	351	51.42	385	72.33	<u>416</u>	<u>93.77</u>	<u>449</u>	<u>117.64</u>										
120000	332	36.17	370	58.18	403	80.98	432	103.56	461	127.86	491	153.74								
140000	373	47.98	409	73.60	439	99.11	468	126.42	494	153.35	<u>518</u>	<u>180.15</u>	<u>543</u>	<u>209.06</u>	<u>569</u>	<u>239.63</u>				
160000	416	63.02	<u>449</u>	<u>91.83</u>	478	121.03	504	150.59	529	181.32	<u>552</u>	<u>211.62</u>	<u>574</u>	<u>242.51</u>	<u>596</u>	<u>274.82</u>	<u>640</u>	<u>341.81</u>		
180000	<u>459</u>	<u>80.97</u>	490	113.31	518	146.39	543	179.41	<u>566</u>	<u>212.76</u>	<u>588</u>	<u>246.79</u>	<u>609</u>	<u>280.94</u>	<u>629</u>	<u>315.26</u>	<u>668</u>	<u>386.58</u>	<u>707</u>	<u>461.44</u>
200000	503	102.75	<u>532</u>	<u>138.61</u>	558	174.67	<u>582</u>	<u>211.15</u>	<u>604</u>	<u>247.57</u>	<u>625</u>	<u>284.85</u>	<u>645</u>	<u>322.48</u>	<u>665</u>	<u>361.57</u>	<u>701</u>	<u>437.08</u>		
240000			<b>618</b>	<b>201.98</b>	<b>641</b>	<b>244.55</b>	<b>663</b>	<b>288.04</b>	<b>684</b>	<b>332.29</b>	<b>703</b>	<b>375.42</b>	<b>722</b>	<b>420.34</b>						
280000			<b>705</b>	<b>283.87</b>	<b>727</b>	<b>335.00</b>														

MAXIMUM RPM: CLASS I = 443 CLASS II = 578 CLASS III = 728 Outlet Area = 61.53 ft<sup>2</sup> Max. BHP = 1306 x (RPM / 1000)<sup>3</sup>

**CPLQ | Size 890 (12-Blade, Arr. 3)**

Wheel Diameter: 89.00"

Fan Efficiency Grade = FEG80

CFM	1" SP		2" SP		3" SP		4" SP		5" SP		6" SP		7" SP		8" SP		10" SP		12" SP		
	RPM	BHP	RPM	BHP	RPM	BHP	RPM	BHP	RPM	BHP	RPM	BHP	RPM	BHP	RPM	BHP	RPM	BHP	RPM	BHP	
70000	238	16.51	<u>287</u>	<u>30.57</u>																	
80000	258	20.05	302	35.42	<u>345</u>	<u>52.69</u>															
90000	279	24.25	319	40.86	<u>357</u>	<u>58.88</u>	396	79.28													
100000	300	28.99	338	47.13	373	66.55	<u>407</u>	<u>87.22</u>	<u>443</u>	<u>110.83</u>											
110000	321	34.26	359	54.59	390	74.69	422	96.94	<u>453</u>	<u>120.16</u>	<u>485</u>	<u>145.57</u>									
120000	343	40.47	380	62.65	409	84.07	438	107.07	<u>467</u>	<u>131.62</u>	<u>495</u>	<u>156.73</u>	<u>525</u>	<u>185.04</u>							
140000	387	55.01	421	80.42	450	105.98	476	132.08	500	157.91	525	185.83	<u>549</u>	<u>214.01</u>	<u>574</u>	<u>244.55</u>					
160000	432	73.25	464	102.39	492	131.72	516	160.40	539	190.37	<u>560</u>	<u>219.59</u>	<u>582</u>	<u>250.83</u>	<u>603</u>	<u>281.95</u>	<u>646</u>	<u>348.89</u>	<u>690</u>	<u>421.54</u>	
180000	478	95.82	508	128.68	534	161.13	558	194.02	<u>580</u>	<u>227.26</u>	<u>600</u>	<u>260.17</u>	<u>619</u>	<u>293.12</u>	<u>638</u>	<u>326.84</u>	<u>676</u>	<u>396.93</u>	<u>714</u>	<u>471.06</u>	
200000	525	123.46	<u>552</u>	<u>159.10</u>	577	195.41	<u>600</u>	<u>231.90</u>	<u>622</u>	<u>269.36</u>	<u>641</u>	<u>305.13</u>	<u>659</u>	<u>341.23</u>	<u>677</u>	<u>378.74</u>	<u>711</u>	<u>453.02</u>			
240000			<b>643</b>	<b>237.24</b>	<b>665</b>	<b>280.13</b>	<b>686</b>	<b>323.75</b>	<b>706</b>	<b>367.88</b>	<b>725</b>	<b>412.28</b>									
280000																					

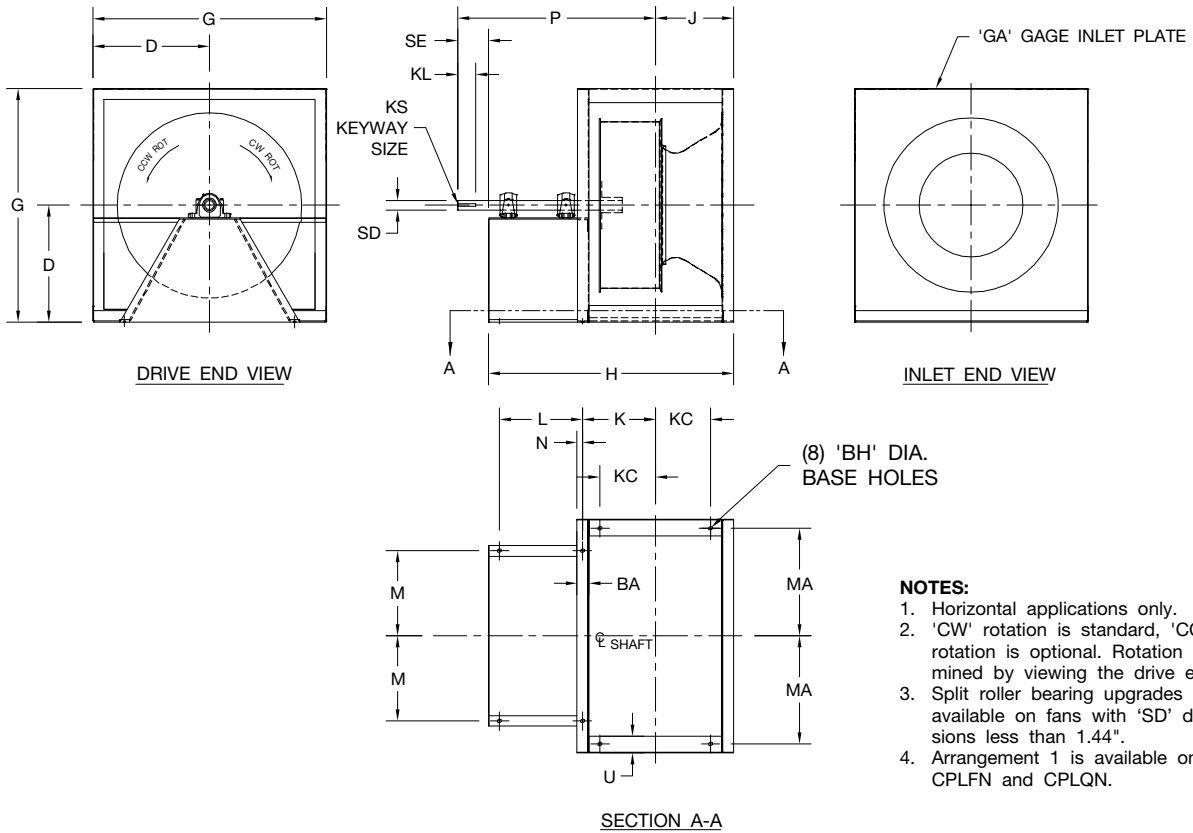
MAXIMUM RPM: CLASS I = 443 CLASS II = 578 CLASS III = 728 Outlet Area = 61.53 ft<sup>2</sup> Max. BHP = 1293 x (RPM / 1000)<sup>3</sup>

- Class I = First white section
- Class II = Blue shaded section
- Class III = Bolded section after blue section
- Underlined figures indicate Maximum Static Efficiency

Performance certified is for installation Type A; Free inlet, Free outlet.  
 Power rating (BHP) does not include transmission losses.  
 Performance ratings do not include the effects of appurtenances (accessories).  
 Performance based on a shaft height of 62.18" above the base on fan size 890.



# Horizontal, Arr. 1 - Class I and II



- NOTES:**
- Horizontal applications only.
  - 'CW' rotation is standard, 'CCW' rotation is optional. Rotation is determined by viewing the drive end.
  - Split roller bearing upgrades are not available on fans with 'SD' dimensions less than 1.44".
  - Arrangement 1 is available on models CPLFN and CPLQN.

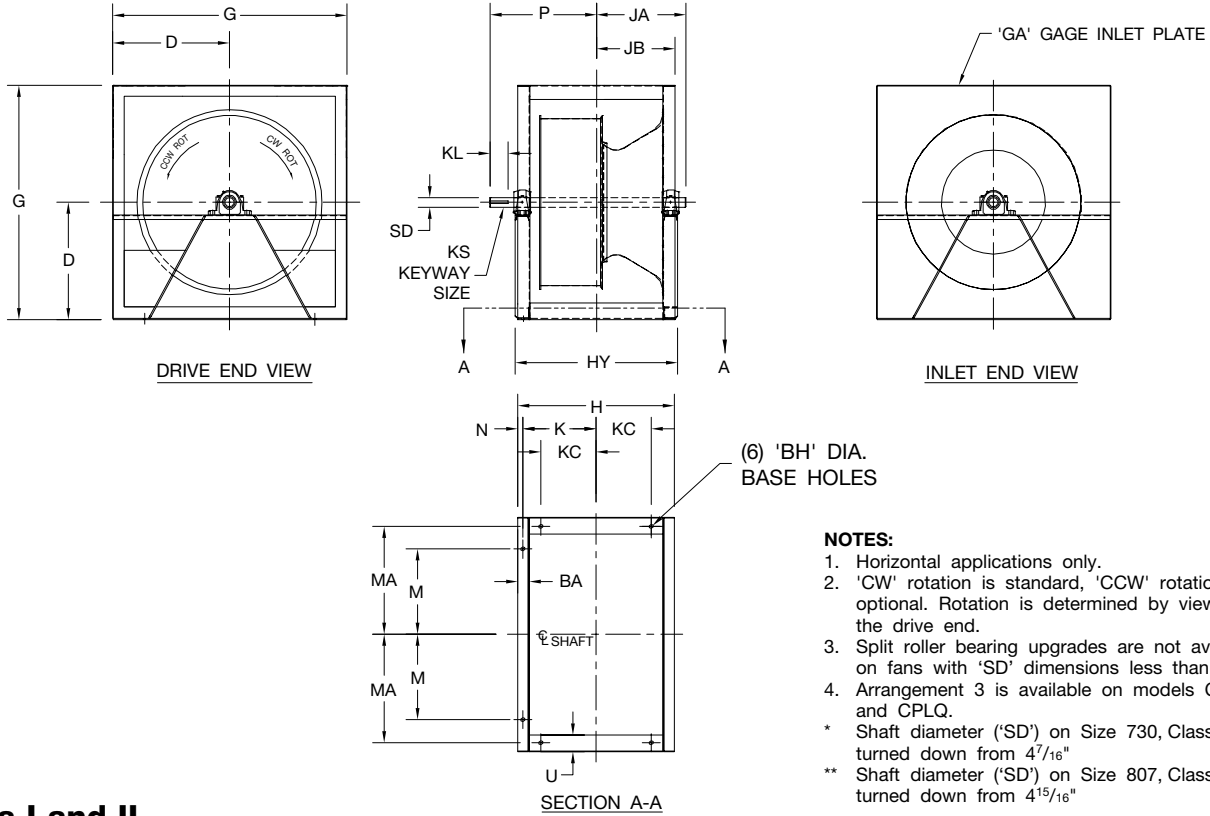
SIZE	BA	BH	D	G	GA	H	J	K	KC	KL	KS		L	M	MA	N	P	SD		SE	U
											CL I	CL II						CL I	CL II		
122	1.50	0.81	10.00	20.00	12	22.88	6.88	6.25	4.00	3.25	.25 x .13	.25 x .13	7.88	6.75	9.13	0.63	20.38	1.00	1.19	4.38	1.50
150	1.50	0.81	11.00	22.00	12	26.88	7.88	7.25	5.00	3.25	.25 x .13	.25 x .13	9.88	8.25	10.13	0.63	23.38	1.00	1.19	4.38	1.50
165	1.50	0.81	12.00	24.00	12	28.13	8.50	7.88	5.50	3.25	.25 x .13	.25 x .13	9.88	8.75	11.13	0.63	24.00	1.00	1.19	4.38	1.50
182	1.75	0.81	13.00	26.00	12	30.88	9.50	8.75	5.25	3.88	.25 x .13	.38 x .19	10.75	9.63	11.50	0.75	26.38	1.19	1.44	5.00	4.00
200	2.25	0.81	14.50	29.00	12	33.75	10.69	9.69	7.50	3.63	.38 x .19	.38 x .19	11.50	10.63	13.00	1.00	28.06	1.44	1.44	5.00	4.00
222	2.25	0.81	16.00	32.00	10	37.88	11.50	10.50	8.00	4.25	.38 x .19	.38 x .19	14.00	11.75	14.50	1.00	32.00	1.44	1.69	5.63	4.00
245	2.50	0.81	17.00	34.00	10	41.38	12.63	11.50	7.50	4.25	.38 x .19	.38 x .19	15.38	12.88	14.50	1.13	34.38	1.44	1.69	5.63	4.00
270	2.50	0.81	19.00	38.00	10	45.38	13.63	12.50	8.00	5.63	.38 x .19	.50 x .25	17.38	14.13	16.50	1.13	38.75	1.69	1.94	7.00	4.00
300	3.00	0.81	21.00	42.00	10	50.13	15.25	13.88	9.00	5.50	.50 x .25	.50 x .25	19.13	15.88	17.50	1.38	41.88	1.94	1.94	7.00	4.75
330	3.50	0.81	23.00	46.00	10	54.88	16.88	15.25	10.75	6.75	.50 x .25	.50 x .25	20.88	17.38	19.50	1.63	46.25	1.94	2.19	8.25	4.75
365	3.50	0.81	25.50	51.00	7	59.31	18.31	16.69	12.00	6.75	.50 x .25	.63 x .31	22.44	18.88	22.00	1.63	49.25	1.94	2.44	8.25	4.75
402	3.50	0.81	28.00	56.00	7	64.19	19.75	18.13	13.50	6.75	.50 x .25	.63 x .31	24.44	20.88	24.50	1.63	52.69	2.19	2.44	8.25	4.75
445	4.00	0.81	31.00	62.00	7	70.81	21.81	19.94	15.81	6.50	.63 x .31	.63 x .31	27.19	22.88	26.50	1.88	57.25	2.44	2.69	8.25	6.00
490	4.00	0.81	34.00	68.00	7	76.31	23.56	21.69	17.56	6.50	.63 x .31	.75 x .38	29.19	25.38	29.50	1.88	61.00	2.69	2.94	8.25	6.00
542	4.00	0.81	38.00	76.00	7	81.31	25.56	23.69	19.56	6.38	.75 x .38	.88 x .44	30.19	27.63	33.50	1.88	64.00	2.94	3.44	8.25	6.00
600	5.00	0.81	38.00	76.00	.25	89.88	28.81	26.44	21.81	6.63	.75 x .38	.88 x .44	32.75	30.63	33.50	2.38	69.56	2.94	3.44	8.50	6.00
660	5.00	0.81	40.75	81.50	.25	97.50	31.13	28.75	24.13	6.63	.88 x .44	1.00 x .50	35.75	33.13	36.25	2.38	75.00	3.44	3.94	8.63	6.00
730	5.00	0.81	46.00	92.00	.25	105.75	33.75	31.38	26.75	6.63	.88 x .44	1.00 x .50	38.75	37.13	41.50	2.38	80.63	3.44	3.94	8.63	6.00
807	5.00	0.81	51.00	102.00	.25	114.63	36.69	34.31	29.69	6.13	1.00 x .50	1.00 x .50	41.75	40.88	46.50	2.38	86.19	3.94	4.44	8.25	6.00

R1004950

DIMENSIONS ARE SUBJECT TO CHANGE. CERTIFIED DRAWINGS AVAILABLE UPON REQUEST.



# Horizontal, Arr. 3 - Class I, II, and III



## Class I and II

SIZE	BA	BH	D	G	GA	H	HY		JA		JB	K	KC	KL	KS		M	MA	N	P		SD		U
							CL I	CL II	CL I	CL II					CL I	CL II				CL I	CL II	CL I	CL II	
122	1.50	0.81	10.00	20.00	12	13.75	16.00	16.00	7.75	7.88	6.88	6.25	4.00	2.38	.25 x .13	.25 x .13	6.75	9.13	0.63	11.13	11.13	1.00	1.19	1.50
150	1.50	0.81	11.00	22.00	12	15.75	18.00	18.00	8.75	8.88	7.88	7.25	5.00	3.38	.25 x .13	.25 x .13	8.25	10.13	0.63	13.13	13.13	1.00	1.19	1.50
165	1.50	0.81	12.00	24.00	12	17.00	19.25	19.25	9.38	9.50	8.50	7.88	5.50	3.38	.25 x .13	.25 x .13	8.75	11.13	0.63	13.75	13.75	1.00	1.19	1.50
182	1.75	0.81	13.00	26.00	12	19.00	20.75	20.75	10.25	10.31	9.50	8.75	5.25	3.00	.25 x .13	.38 x .19	9.63	11.50	0.75	14.13	15.06	1.19	1.44	4.00
200	2.25	0.81	14.50	29.00	12	21.38	22.13	23.13	10.94	11.25	10.69	9.69	7.50	3.00	.25 x .13	.38 x .19	10.63	13.00	1.00	14.81	15.75	1.19	1.44	4.00
222	2.25	0.81	16.00	32.00	10	23.00	23.75	24.75	11.88	12.19	11.50	10.50	8.00	4.00	.38 x .19	.38 x .19	11.75	14.50	1.00	17.56	17.69	1.44	1.69	4.00
245	2.50	0.81	17.00	34.00	10	25.25	25.50	26.50	12.75	13.06	12.63	11.50	7.50	3.50	.38 x .19	.50 x .25	12.88	14.50	1.13	17.94	18.06	1.44	1.94	4.00
270	2.50	0.81	19.00	38.00	10	27.25	27.50	28.50	13.75	14.06	13.63	12.50	8.00	3.50	.38 x .19	.50 x .25	14.13	16.50	1.13	18.94	19.06	1.44	1.94	4.00
300	3.00	0.81	21.00	42.00	10	30.50	30.75	30.75	15.19	15.31	15.25	13.88	9.00	4.50	.38 x .19	.50 x .25	15.88	17.50	1.38	21.19	21.50	1.69	1.94	4.75
330	3.50	0.81	23.00	46.00	10	33.75	34.00	34.00	16.56	16.69	16.88	15.25	10.75	4.50	.38 x .19	.50 x .25	17.38	19.50	1.63	22.44	22.63	1.69	1.94	4.75
365	3.50	0.81	25.50	51.00	7	36.63	37.00	38.00	18.06	18.56	18.31	16.69	12.00	4.75	.50 x .25	.50 x .25	18.88	22.00	1.63	24.13	24.75	1.94	2.19	4.75
402	3.50	0.81	28.00	56.00	7	39.50	39.88	40.88	19.56	20.00	19.75	18.13	13.50	5.50	.50 x .25	.50 x .25	20.88	24.50	1.63	26.56	26.94	1.94	2.19	4.75
445	4.00	0.81	31.00	62.00	7	43.63	44.00	44.00	21.56	21.75	21.81	19.94	15.81	5.50	.50 x .25	.63 x .31	22.88	26.50	1.88	28.50	28.81	2.19	2.44	6.00
490	4.00	0.81	34.00	68.00	7	47.13	47.50	47.50	23.31	23.56	23.56	21.69	17.56	5.50	.50 x .25	.63 x .31	25.38	29.50	1.88	30.25	30.88	2.19	2.69	6.00
542	4.00	0.81	38.00	76.00	7	51.13	51.50	53.50	25.31	26.06	25.56	23.69	19.56	6.63	.63 x .31	.75 x .38	27.63	33.50	1.88	33.69	34.63	2.44	2.94	6.00
600	5.00	0.81	38.00	76.00	.25	57.63	58.13	58.13	28.44	28.56	28.81	26.44	21.81	6.81	.63 x .31	.88 x .44	30.63	33.50	2.38	37.00	38.19	2.69	3.44	6.00
660	5.00	0.81	40.75	81.50	.25	62.25	62.75	64.75	30.75	31.38	31.13	28.75	24.13	7.38	.75 x .38	.88 x .44	33.13	36.25	2.38	40.00	42.06	2.94	3.44	6.00
730	5.00	0.81	46.00	92.00	.25	67.50	68.00	70.00	33.50	34.00	33.75	31.38	26.75	7.38	.88 x .44	.88 x .44	37.13	41.50	2.38	43.69	44.69	3.44	3.44	6.00
807	5.00	0.81	51.00	102.00	.25	73.38	73.88	77.88	36.63	39.25	36.69	34.31	29.69	6.31	1.00 x .50	1.00 x .50	40.88	46.50	2.38	45.75	47.88	3.94	4.44	6.00

## Class III

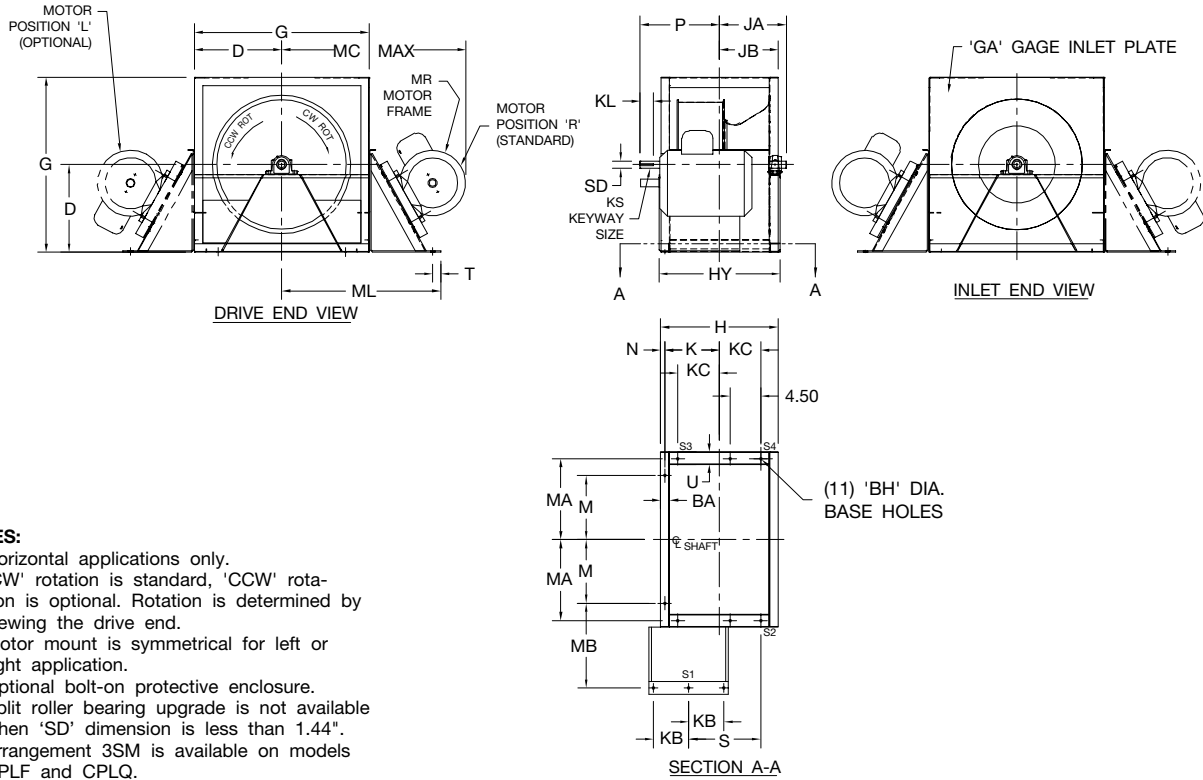
R1004936

SIZE	BA	BH	D	G	GA	H	HY	JA	JB	K	KC	KL	KS	M	MA	N	P	SD	U
182	1.75	0.81	13.00	26.00	10	19.00	21.75	10.69	9.50	8.75	5.25	2.94	.38 x .19	9.63	11.50	0.75	15.19	1.69	4.00
200	2.25	0.81	14.50	29.00	10	21.38	23.13	11.38	10.69	9.69	7.50	2.94	.38 x .19	10.63	13.00	1.00	15.88	1.69	4.00
222	2.25	0.81	16.00	32.00	7	23.00	24.88	12.31	11.50	10.50	8.00	3.94	.50 x .25	11.75	14.50	1.00	18.06	1.94	4.00
245	2.50	0.81	17.00	34.00	7	25.25	26.63	13.19	12.63	11.50	7.50	3.50	.50 x .25	12.88	14.50	1.13	18.50	1.94	4.00
270	2.50	0.81	19.00	38.00	7	27.25	28.63	14.38	13.63	12.50	8.00	3.44	.50 x .25	14.13	16.50	1.13	19.56	2.19	4.00
300	3.00	0.81	21.00	42.00	7	30.50	30.88	15.38	15.25	13.88	9.00	4.44	.50 x .25	15.88	17.50	1.38	21.69	2.19	4.75
330	3.50	0.81	23.00	46.00	7	33.75	35.13	17.13	16.88	15.25	10.75	4.56	.63 x .31	17.38	19.50	1.63	23.63	2.44	4.75
365	3.50	0.81	25.50	51.00	.25	36.63	38.13	18.69	18.31	16.69	12.00	4.56	.63 x .31	18.88	22.00	1.63	24.94	2.44	4.75
402	3.50	0.81	28.00	56.00	.25	39.50	43.00	20.88	19.75	18.13	13.50	5.50	.63 x .31	20.88	24.50	1.63	28.13	2.69	4.75
445	4.00	0.81	31.00	62.00	.25	43.63	46.13	22.44	21.81	19.94	15.81	6.63	.75 x .38	22.88	26.50	1.88	31.06	2.94	6.00
490	4.00	0.81	34.00	68.00	.25	47.13	51.63	24.69	23.56	21.69	17.56	6.63	.75 x .38	25.38	29.50	1.88	33.75	2.94	6.00
542	4.00	0.81	38.00	76.00	.25	51.13	55.63	26.81	25.56	23.69	19.56	6.38	.88 x .44	27.63	33.50	1.88	36.56	3.44	6.00
600	5.00	0.81	38.00	76.00	.31	57.63	60.25	29.31	28.81	26.44	21.81	6.88	1.00 x .50	30.63	33.50	2.38	39.56	3.94	6.00
660	5.00	0.81	40.75	81.50	.31	62.25	66.88	32.13	31.13	28.75	24.13	8.25	1.00 x .50	33.13	36.25	2.38	44.19	3.94	6.00
730	5.00	0.81	46.00	92.00	.31	67.50	72.13	34.56	33.75	31.38	26.75	8.69	.88 x .44	37.13	41.50	2.38	47.06	3.44*	6.00
807	5.00	0.81	51.00	102.00	.31	73.38	78.00	37.69	36.69	34.31	29.69	8.31	1.00 x .50	40.88	46.50	2.38	49.81	3.94**	6.00

R1004936

DIMENSIONS ARE SUBJECT TO CHANGE. CERTIFIED DRAWINGS AVAILABLE UPON REQUEST.

# Horizontal, Arr. 3SM - Class I and II



**NOTES:**

1. Horizontal applications only.
2. 'CW' rotation is standard, 'CCW' rotation is optional. Rotation is determined by viewing the drive end.
3. Motor mount is symmetrical for left or right application.
4. Optional bolt-on protective enclosure.
5. Split roller bearing upgrade is not available when 'SD' dimension is less than 1.44".
6. Arrangement 3SM is available on models CPLF and CPLQ.

SIZE	BA	BH	D	G	GA	H	HY		JA		JB	K	KB	KC	KL	KS	
							CL I	CL II	CL I	CL II						CL I	CL II
165	1.50	0.81	12.00	24.00	12	17.00	19.25	19.25	9.63	11.06	8.50	7.88	5.00	5.50	3.38	.25 x .13	.25 x .13
182	1.75	0.81	13.00	26.00	12	19.00	20.75	22.75	10.81	12.06	9.50	8.75	5.63	5.25	3.00	.25 x .13	.38 x .19
200	2.25	0.81	14.50	29.00	12	21.38	22.13	24.13	11.50	12.75	10.69	9.69	5.63	7.50	3.00	.25 x .13	.38 x .19
222	2.25	0.81	16.00	32.00	10	23.00	25.75	25.75	13.56	13.56	11.50	10.50	5.63	8.00	4.00	.38 x .19	.38 x .19
245	2.50	0.81	17.00	34.00	10	25.25	27.50	27.50	14.44	14.44	12.63	11.50	6.50	7.50	3.50	.38 x .19	.50 x .25
270	2.50	0.81	19.00	38.00	10	27.25	29.50	29.50	15.44	15.44	13.63	12.50	6.50	8.00	3.50	.38 x .19	.50 x .25
300	3.00	0.81	21.00	42.00	10	30.50	31.75	32.75	16.56	16.75	15.25	13.88	8.75	9.00	4.50	.38 x .19	.50 x .25
330	3.50	0.81	23.00	46.00	10	33.75	34.00	35.00	17.69	17.88	16.88	15.25	8.75	10.75	4.50	.38 x .19	.50 x .25
365	3.50	0.81	25.50	51.00	7	36.63	37.00	38.00	19.19	19.19	20.00	18.31	16.69	10.44	4.75	.50 x .25	.50 x .25
402	3.50	0.81	28.00	56.00	7	39.50	40.88	40.88	20.81	21.44	19.75	18.13	9.69	13.50	5.50	.50 x .25	.50 x .25
445	4.00	0.81	31.00	62.00	7	43.63	44.00	44.00	23.00	23.25	21.81	19.94	9.69	15.81	5.50	.50 x .25	.63 x .31
490	4.00	0.81	34.00	68.00	7	47.13	47.50	49.50	24.75	25.56	23.56	21.69	9.69	17.56	5.50	.50 x .25	.63 x .31
542	4.00	0.81	38.00	76.00	7	51.13	51.50	53.50	27.00	27.25	25.56	23.69	10.19	19.56	6.63	.63 x .31	.75 x .38
600	5.00	0.81	38.00	76.00	.25	57.63	58.13	60.13	29.88	30.69	28.81	26.44	9.19	21.81	6.81	.63 x .31	.88 x .44

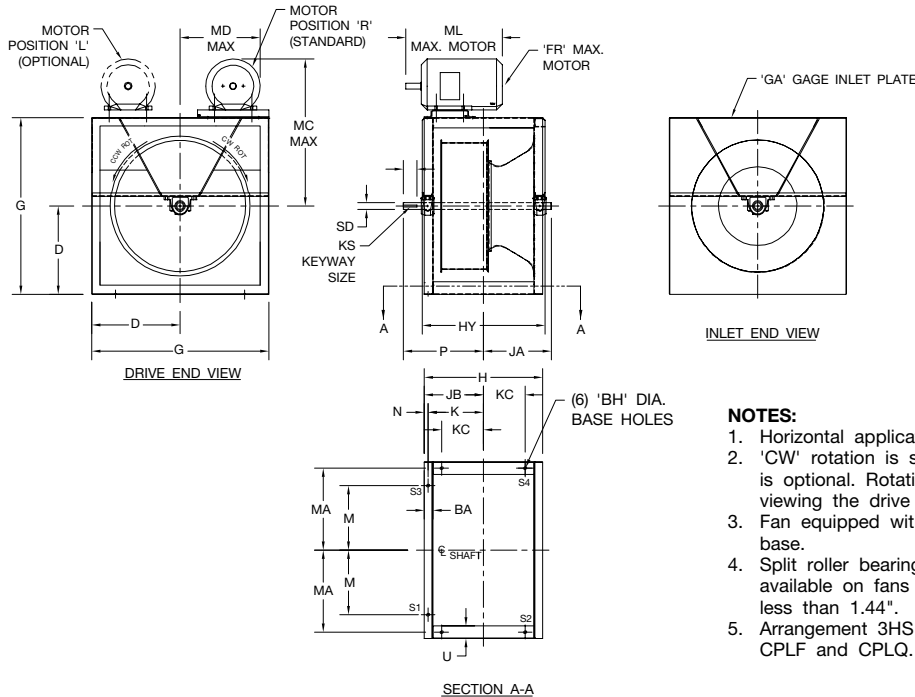
SIZE	M	MA	MB	MC	ML	MR	N	P		S		SD		T	U
								CL I	CL II	CL I	CL II	CL I	CL II		
165	8.75	11.13	13.50	26.75	23.25	56 - 215T	0.63	13.63	13.94	8.38	8.69	1.00	1.19	1.00	1.50
182	9.63	11.50	13.69	27.50	24.31	143T - 215T	0.75	14.69	15.69	8.75	8.94	1.19	1.44	1.00	4.00
200	10.63	13.00	14.19	31.00	25.81	143T - 254T	1.00	16.38	16.38	12.50	12.50	1.19	1.44	1.00	4.00
222	11.75	14.50	14.94	37.50	27.69	143T - 254T	1.00	18.25	18.25	14.75	14.75	1.44	1.69	1.00	4.00
245	12.88	14.50	15.69	32.00	29.56	143T - 256T	1.13	18.63	18.63	13.25	13.25	1.44	1.94	1.00	4.00
270	14.13	16.50	17.75	37.75	32.88	145T - 256T	1.13	19.63	19.63	14.81	14.81	1.44	1.94	1.00	4.00
300	15.88	17.50	18.88	42.00	36.00	145T - 284T	1.38	21.75	22.00	15.44	15.69	1.69	1.94	1.25	4.75
330	17.38	19.50	21.13	48.25	39.75	145T - 286T	1.63	22.88	23.75	17.81	18.06	1.69	1.94	1.25	4.75
365	18.88	22.00	23.38	53.25	43.50	182T - 324T	1.63	24.63	25.75	18.88	19.13	1.94	2.19	1.25	4.75
402	20.88	24.50	25.63	49.50	48.00	182T - 326T	1.63	27.06	28.19	23.31	23.56	1.94	2.19	1.50	4.75
445	22.88	26.50	27.63	53.25	52.00	184T - 326T	1.88	29.25	30.31	27.69	26.50	2.19	2.44	1.50	6.00
490	25.38	29.50	30.31	62.50	57.19	213T - 326T	1.88	31.00	32.06	30.25	31.31	2.19	2.69	1.50	6.00
542	27.63	33.50	33.75	66.50	62.88	213T - 364T	1.88	35.06	34.88	34.94	34.75	2.44	2.94	1.50	6.00
600	30.63	33.50	33.06	70.75	65.19	213T - 365T	2.38	37.63	38.69	40.94	40.63	2.69	3.44	1.50	6.00

R1004949

DIMENSIONS ARE SUBJECT TO CHANGE. CERTIFIED DRAWINGS AVAILABLE UPON REQUEST.

# Horizontal, Arr. 3HS/3HA - Class I and II

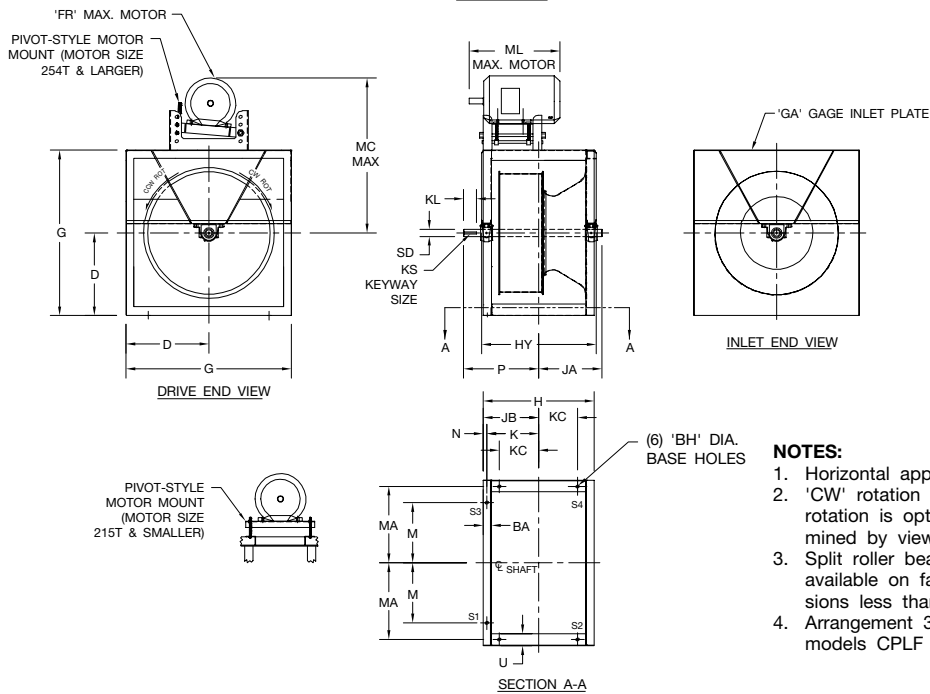
## Arr. 3HS



**NOTES:**

1. Horizontal applications only.
2. 'CW' rotation is standard, 'CCW' rotation is optional. Rotation is determined by viewing the drive end.
3. Fan equipped with standard NEMA slide base.
4. Split roller bearing upgrades are not available on fans with 'SD' dimensions less than 1.44".
5. Arrangement 3HS is available on models CPLF and CPLQ.

## Arr. 3HA



**NOTES:**

1. Horizontal applications only.
2. 'CW' rotation is standard, 'CCW' rotation is optional. Rotation is determined by viewing the drive end.
3. Split roller bearing upgrades are not available on fans with 'SD' dimensions less than 1.44".
4. Arrangement 3HA is available on models CPLF and CPLQ.

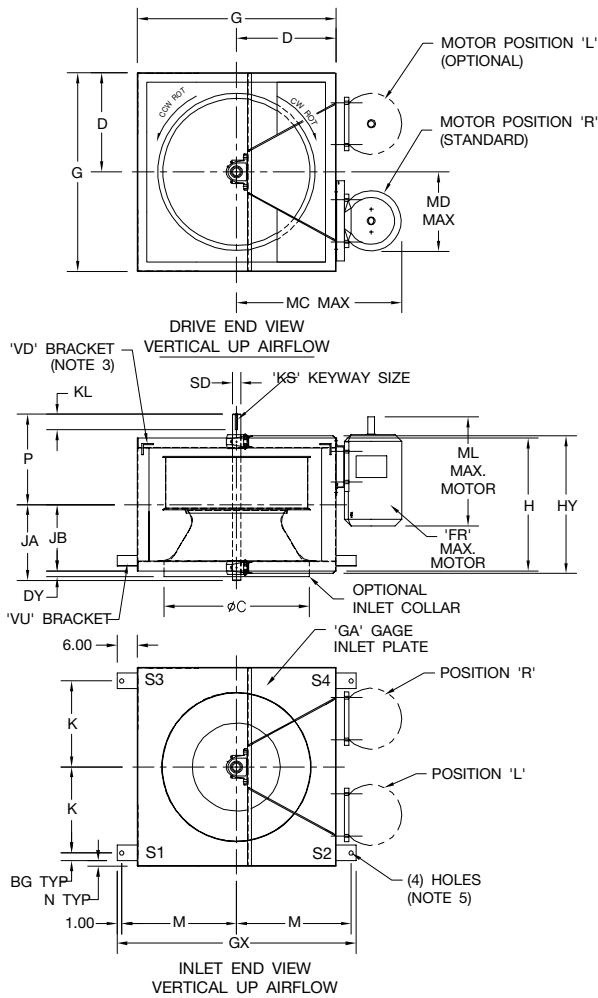
SIZE	3HA	3HS	BA	BH	D	FR	G	GA	H	HY				JA				KS				M	MA	MC			ML	N	P				SD		U
										CL I	CL II	CL I	CL II	JB	K	KC	KL	CL I	CL II	3HA	3HS			3HS	CL I	CL II			CL I	CL II					
122	---	---	1.50	0.81	10.00	215T	20.00	12	13.75	16.00	16.00	7.75	7.88	6.88	6.25	4.00	2.38	25x.13	25x.13	6.75	9.13	26.81	---	---	20.25	0.63	11.13	11.13	1.00	1.19	1.50				
150	---	---	1.50	0.81	11.00	215T	22.00	12	15.75	18.00	18.00	8.75	8.88	7.88	7.25	5.00	3.38	25x.13	25x.13	8.25	10.13	27.81	---	---	20.25	0.63	13.13	13.31	1.00	1.19	1.50				
165	---	---	1.50	0.81	12.00	215T	24.00	12	17.00	19.25	19.25	9.38	9.50	8.50	7.88	5.50	3.38	25x.13	25x.13	8.75	11.13	28.81	---	---	20.25	0.63	13.75	13.75	1.00	1.19	1.50				
182	182	1.75	0.81	13.00	215T	26.00	12	19.00	20.75	20.75	10.25	10.31	9.50	8.75	5.25	3.00	25x.13	38x.19	9.63	11.50	29.88	27.50	13.00	20.25	0.75	14.13	15.06	1.19	1.44	4.00					
200	200	2.25	0.81	14.50	215T	29.00	12	21.38	22.13	23.13	10.94	11.25	10.69	9.69	7.50	3.00	25x.13	38x.19	10.63	13.00	31.38	29.00	14.50	20.25	1.00	14.81	15.75	1.19	1.44	4.00					
222	222	2.25	0.81	16.00	256T	32.00	10	23.00	23.75	24.75	11.88	12.19	11.50	10.50	8.00	4.00	38x.19	38x.19	11.75	14.50	39.38	33.25	16.13	25.75	1.00	17.56	17.69	1.44	1.69	4.00					
245	245	2.50	0.81	17.00	256T	34.00	10	25.25	25.50	26.50	12.75	13.06	12.63	11.50	7.50	3.50	38x.19	50x.25	12.88	14.50	40.38	34.25	17.13	25.75	1.13	17.94	18.06	1.44	1.94	4.00					
270	270	2.50	0.81	19.00	286T	38.00	10	27.25	27.50	28.50	13.75	14.06	13.63	12.50	8.00	3.50	38x.19	50x.25	14.13	16.50	43.88	37.75	19.13	28.88	1.13	18.94	19.06	1.44	1.94	4.00					
300	300	3.00	0.81	21.00	286T	42.00	10	30.50	30.75	30.75	15.19	15.31	15.25	13.88	9.00	4.50	38x.19	50x.25	15.88	17.50	45.88	39.75	21.13	28.88	1.38	21.19	21.50	1.69	1.94	4.75					
330	330	3.50	0.81	23.00	326T	46.00	10	33.75	34.00	34.50	17.69	17.88	16.88	15.25	10.75	4.50	38x.19	50x.25	17.38	19.50	52.38	44.25	23.00	32.00	1.63	22.44	22.63	1.69	1.94	4.75					
365	365	3.50	0.81	25.50	326T	51.00	7	36.63	37.00	38.00	18.06	18.56	18.31	16.69	12.00	4.75	50x.25	50x.25	18.88	22.00	54.88	46.75	25.50	32.00	1.63	24.13	24.75	1.94	2.19	4.75					
402	402	3.50	0.81	28.00	326T	56.00	7	39.50	39.88	40.88	19.56	20.00	19.75	18.13	13.50	5.50	50x.25	50x.25	20.88	24.50	57.50	49.25	28.00	32.00	1.63	26.56	26.94	1.94	2.19	4.75					
445	445	4.00	0.81	31.00	365T	62.00	7	43.63	44.00	44.00	21.56	21.75	21.81	19.94	15.81	5.50	50x.25	63x.31	22.88	26.50	62.38	54.25	31.25	34.38	1.88	28.50	28.81	2.19	2.44	6.00					
490	490	4.00	0.81	34.00	365T	68.00	7	47.13	47.50	47.50	23.31	23.56	23.56	21.69	17.56	5.50	50x.25	63x.31	25.38	29.50	65.38	57.25	34.25	34.38	1.88	30.25	30.88	2.19	2.69	6.00					
542	542	4.00	0.81	38.00	365T	76.00	7	51.13	51.50	53.50	25.31	26.06	25.56	23.69	19.56	6.63	63x.31	75x.38	27.63	33.50	69.38	61.25	38.25	34.38	1.88	33.63	34.63	2.44	2.94	6.00					

DIMENSIONS ARE SUBJECT TO CHANGE. CERTIFIED DRAWINGS AVAILABLE UPON REQUEST.

R1004940  
R1004943

# Vertical, Arr. 3VS/3VA - Class I and II

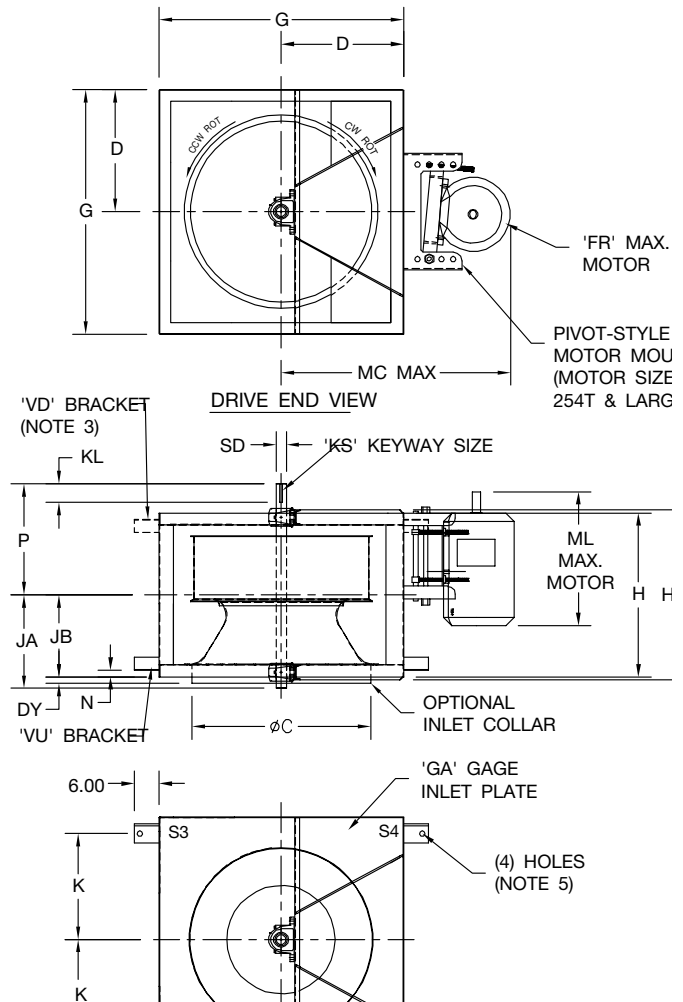
## Arr. 3VS



**NOTES:**

1. Vertical applications only.
2. 'CW' rotation is standard, 'CCW' rotation is optional. Rotation is determined by viewing the drive end.
3. Vertical up (VU) airflow is standard. Vertical down (VD) airflow requires brackets mounted on drive end.
4. Split roller bearing upgrades are not available on vertical fans.
5. Spring bracket holes are sized per spring type. Hole diameters when bracket is used as a mounting foot are as follows:  
Size 182-365: 0.56      Size 402-542: 0.81
6. Fans equipped with standard NEMA motor slide base.
7. Arrangement 3VS is available on models CPLF and CPLQ.

## Arr. 3VA



**NOTES:**

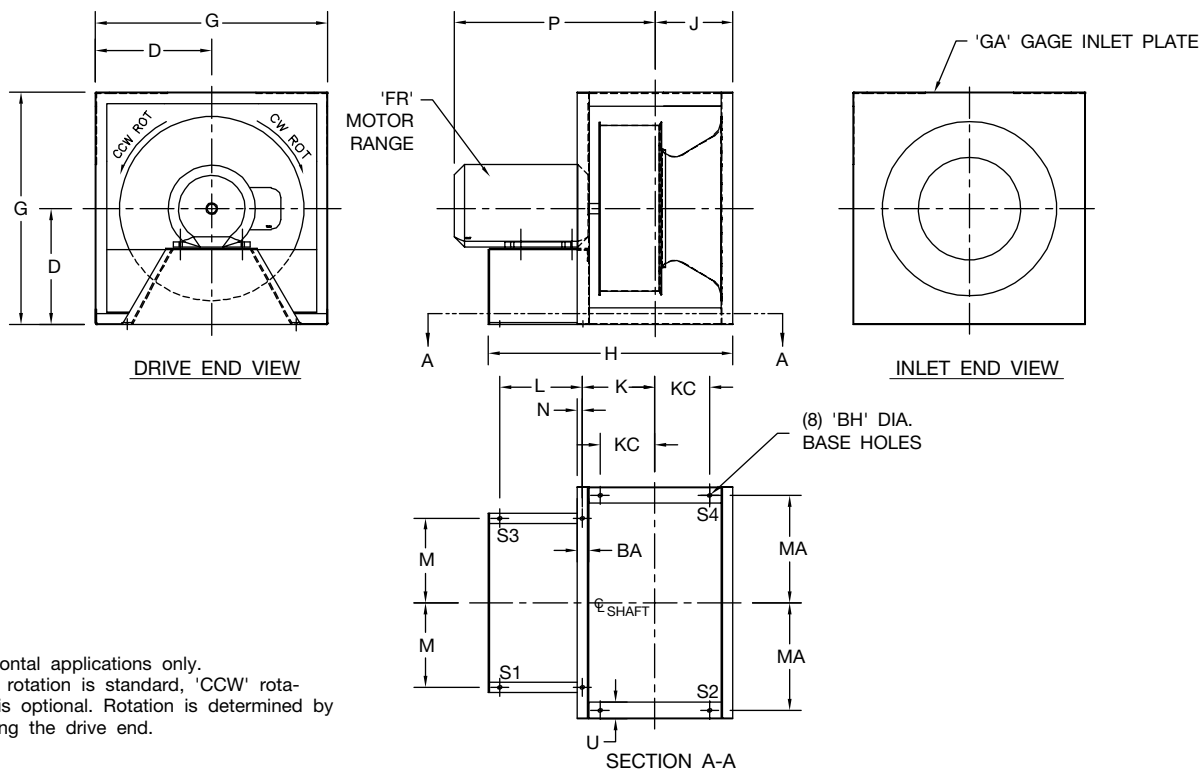
1. Vertical applications only.
2. 'CW' rotation is standard, 'CCW' rotation is optional. Rotation is determined by viewing the drive end.
3. Vertical up (VU) airflow is standard. Vertical down (VD) airflow requires brackets mounted on drive end.
4. Split roller bearing upgrades are not available on vertical fans.
5. Spring bracket holes are sized per spring type. Hole diameters when bracket is used as a mounting foot are as follows:  
Size 122-365: 0.56      Size 402-542: 0.81
6. Arrangement 3VA is available on models CPLF and CPLQ.

Size	BG	C	D	DY	FR	G	GA	GX	H	HY				JB	K	KL	KS		M	MC					N	P				SD
										CL I	CL II	CL I	CL II				CL I	CL II		3VA	3VS	3VS	3VA	3VS		CL I	CL II	CL I	CL II	
122	—	1.13	13.25	10.00	2.13	215T	20.00	12	32.00	13.75	16.00	16.00	7.75	7.88	6.88	7.88	2.38	0.25x0.13	0.25x0.13	15.00	28.75	—	—	20.25	—	1.00	11.13	11.13	1.00	1.19
150	—	1.13	16.19	11.00	2.13	215T	22.00	12	34.00	15.75	18.00	18.00	8.75	8.88	7.88	8.88	3.38	0.25x0.13	0.25x0.13	16.00	29.75	—	—	20.25	—	1.00	13.13	13.13	1.00	1.19
165	—	1.13	17.75	12.00	2.13	215T	24.00	12	36.00	17.00	19.25	19.25	9.38	9.50	8.50	9.88	3.38	0.25x0.13	0.25x0.13	17.00	30.75	—	—	20.25	—	1.00	13.75	13.75	1.00	1.19
182	182	1.13	19.50	13.00	1.88	215T	26.00	12	38.00	19.00	20.75	20.75	10.25	10.38	9.50	10.38	3.38	0.25x0.13	0.38x0.19	18.00	31.75	26.00	13.13	20.25	16.25	1.00	14.50	15.38	1.19	1.44
200	200	1.63	21.38	14.50	1.88	215T	29.00	12	41.00	21.38	22.13	23.13	10.94	11.31	10.69	11.38	3.69	0.25x0.13	0.38x0.19	19.50	33.25	29.25	14.50	20.25	20.25	1.50	15.50	16.38	1.19	1.44
222	222	1.63	23.75	16.00	1.88	256T	32.00	10	44.00	23.00	23.75	24.75	11.88	12.19	11.50	12.88	4.56	0.38x0.19	0.38x0.19	21.00	38.31	30.75	16.00	25.75	20.25	1.50	18.13	18.25	1.44	1.69
245	245	1.63	26.06	17.00	1.63	256T	34.00	10	46.00	25.25	25.50	26.50	12.75	13.06	12.63	13.88	4.06	0.38x0.19	0.50x0.25	22.00	39.31	31.75	17.00	25.75	20.25	1.50	18.50	18.63	1.44	1.94
270	270	1.63	28.50	19.00	1.63	286T	38.00	10	50.00	27.25	27.50	28.50	13.75	14.06	13.63	15.88	4.06	0.38x0.19	0.50x0.25	24.00	42.81	33.75	19.00	28.88	20.25	1.50	19.50	19.63	1.44	1.94
300	300	1.63	31.63	21.00	1.13	286T	42.00	10	54.00	30.50	30.75	30.75	15.19	15.31	15.25	17.88	5.06	0.38x0.19	0.50x0.25	26.00	44.81	38.25	21.13	28.88	25.75	1.50	21.75	22.06	1.69	1.94
330	330	1.63	34.75	23.00	1.13	326T	46.00	10	58.00	33.75	34.00	34.00	16.63	16.69	16.88	19.88	5.06	0.38x0.19	0.50x0.25	28.00	51.00	40.25	23.13	32.00	25.75	1.50	22.94	23.19	1.69	1.94
365	365	2.13	38.50	25.50	1.69	326T	51.00	7	63.00	36.63	37.00	38.00	18.06	18.44	18.31	21.88	5.31	0.50x0.25	0.50x0.25	30.50	53.50	42.75	25.63	32.00	25.75	1.50	24.69	25.31	1.94	2.19
402	402	2.13	42.44	28.00	1.69	326T	56.00	7	68.00	39.50	39.88	40.88	19.63	19.88	19.75	24.38	5.94	0.50x0.25	0.50x0.25	33.00	56.00	45.25	28.13	32.00	25.75	1.50	26.94	27.38	1.94	2.19
445	445	2.13	46.88	31.00	1.19	365T	62.00	7	74.00	43.63	44.00	44.00	21.56	21.56	21.81	27.38	6.38	0.50x0.25	0.63x0.31	36.00	61.00	49.75	31.13	34.38	28.88	1.50	29.38	29.69	2.19	2.44
490	490	2.13	51.63	34.00	1.19	365T	68.00	7	80.00	47.13	47.50	47.50	23.19	23.56	23.56	30.38	6.50	0.63x0.31	0.63x0.31	39.00	64.00	52.75	34.13	34.38	28.88	1.50	31.25	31.88	2.44	2.69
542	542	2.13	57.13	38.00	2.19	365T	76.00	7	88.00	51.13	51.50	53.50	25.31	26.06	25.56	34.38	7.50	0.63x0.31	0.88x0.44	43.00	68.00	59.25	38.00	34.38	32.00	1.50	34.56	35.50	2.44	3.44

R1004947  
R1004948

DIMENSIONS ARE SUBJECT TO CHANGE. CERTIFIED DRAWINGS AVAILABLE UPON REQUEST.

# Horizontal, Arr. 4 - Class I and II



**NOTES:**

1. Horizontal applications only.
2. 'CW' rotation is standard, 'CCW' rotation is optional. Rotation is determined by viewing the drive end.

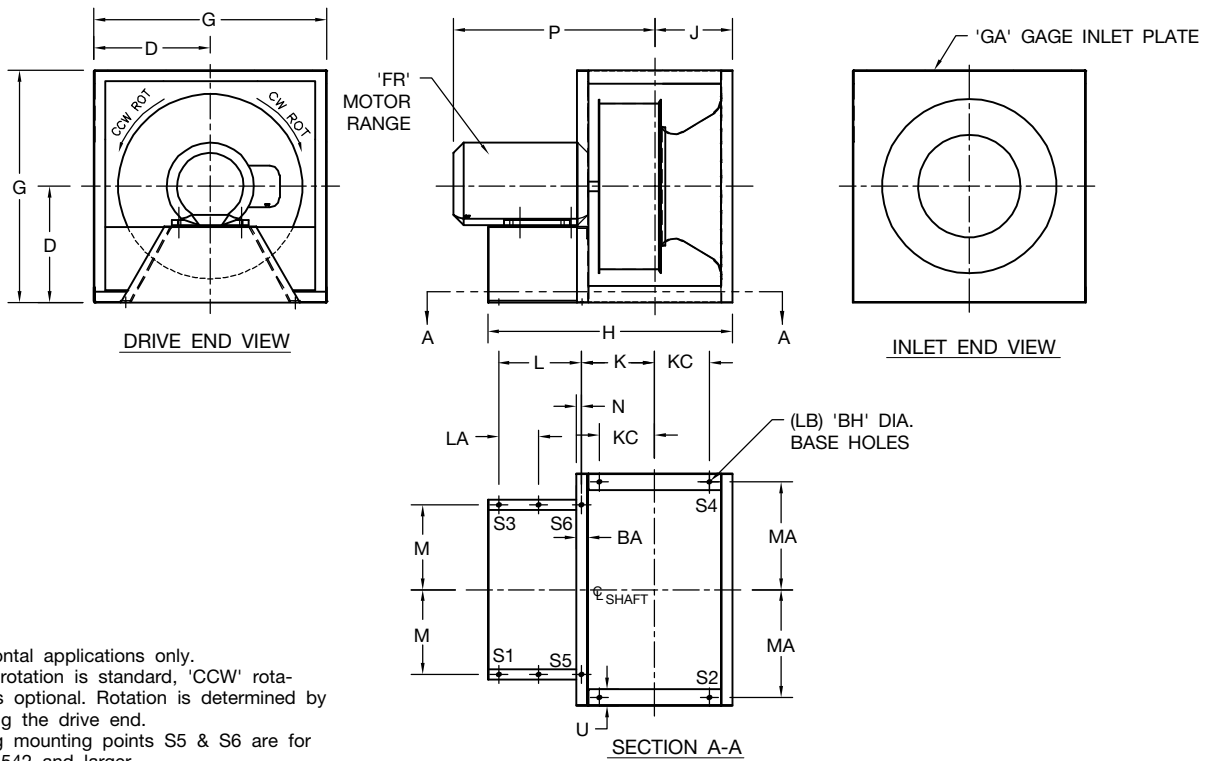
## Class I and II, Size 122 - 270

Size	BA	BH	D	FR	G	GA	H		J		K		KC		L	M	MA	N	P Max.		U
							50-77% Width	78-105% Width	50-77% Width	78-105% Width	50-77% Width	78-105% Width	50-77% Width	78-105% Width					50-77% Width	78-105% Width	
122	1.50	0.81	10.00	56	20.00	12	19.56	20.56	6.38	6.88	5.75	6.25	3.50	4.00	5.38	6.75	9.13	0.63	17.06	17.44	1.50
				143T-145T			21.63	22.63							7.44				17.19	17.69	
				182T-184T			23.06	24.06							8.88				18.56	19.06	
150	1.50	0.81	11.00	56	22.00	12	21.44	22.56	7.31	7.88	6.69	7.25	4.44	5.00	5.38	8.25	10.13	0.63	18.00	18.56	1.50
				143T-145T			23.31	24.44							7.25				18.13	18.69	
				182T-184T			24.69	25.81							8.63				19.50	20.06	
165	1.50	0.81	12.00	56	24.00	12	22.88	24.13	7.88	8.50	7.25	7.88	4.88	5.50	5.69	8.75	11.13	0.63	18.56	19.19	1.50
				143T-145T			25.19	26.44							8.00				18.69	19.31	
				182T-184T			26.44	27.69							9.25				20.06	20.69	
182	1.75	0.81	13.00	143T-145T	26.00	12	27.56	29.06	8.75	9.50	8.00	8.75	4.50	5.25	8.75	9.63	11.50	0.75	19.31	20.56	4.00
				182T-184T			28.81	30.31							10.00				20.69	21.94	
				213T-215T			30.56	32.06							11.75				24.06	25.31	
200	2.25	0.81	14.50	143T-145T	29.00	12	29.06	30.69	9.88	10.69	8.88	9.69	6.69	7.50	8.25	10.63	13.00	1.00	19.94	21.13	4.00
				182T-184T			30.44	32.06							9.63				21.31	22.50	
				213T-215T			32.31	33.94							11.75				24.69	25.88	
222	2.25	0.81	16.00	182T-184T	32.00	10	32.75	34.63	10.56	11.50	9.56	10.50	7.06	8.00	10.56	11.75	14.50	1.00	22.00	24.00	4.00
				213T-215T			34.56	36.44							12.38				25.38	27.38	
				254T-256T			38.50	40.38							16.31				30.25	32.25	
245	2.50	0.81	17.00	182T-184T	34.00	10	34.56	36.56	11.63	12.63	10.50	11.50	6.50	7.50	10.38	12.88	14.50	1.13	22.81	27.75	4.00
				213T-215T			36.31	38.31							12.13				26.19	28.13	
				254T-256T			40.31	42.31							16.13				31.06	33.00	
270	2.50	0.81	19.00	213T-215T	38.00	10	37.75	10.00	12.50	13.63	11.38	12.50	6.88	8.00	11.81	14.13	16.50	1.13	27.06	28.88	4.00
				254T-256T			41.69	43.94							15.75				31.94	33.75	
				284T-286T			43.44	45.69							17.50				34.44	36.25	

R1004952

DIMENSIONS ARE SUBJECT TO CHANGE. CERTIFIED DRAWINGS AVAILABLE UPON REQUEST.

# Horizontal, Arr. 4 - Class I and II



**NOTES:**

1. Horizontal applications only.
2. 'CW' rotation is standard, 'CCW' rotation is optional. Rotation is determined by viewing the drive end.
3. Spring mounting points S5 & S6 are for sizes 542 and larger.

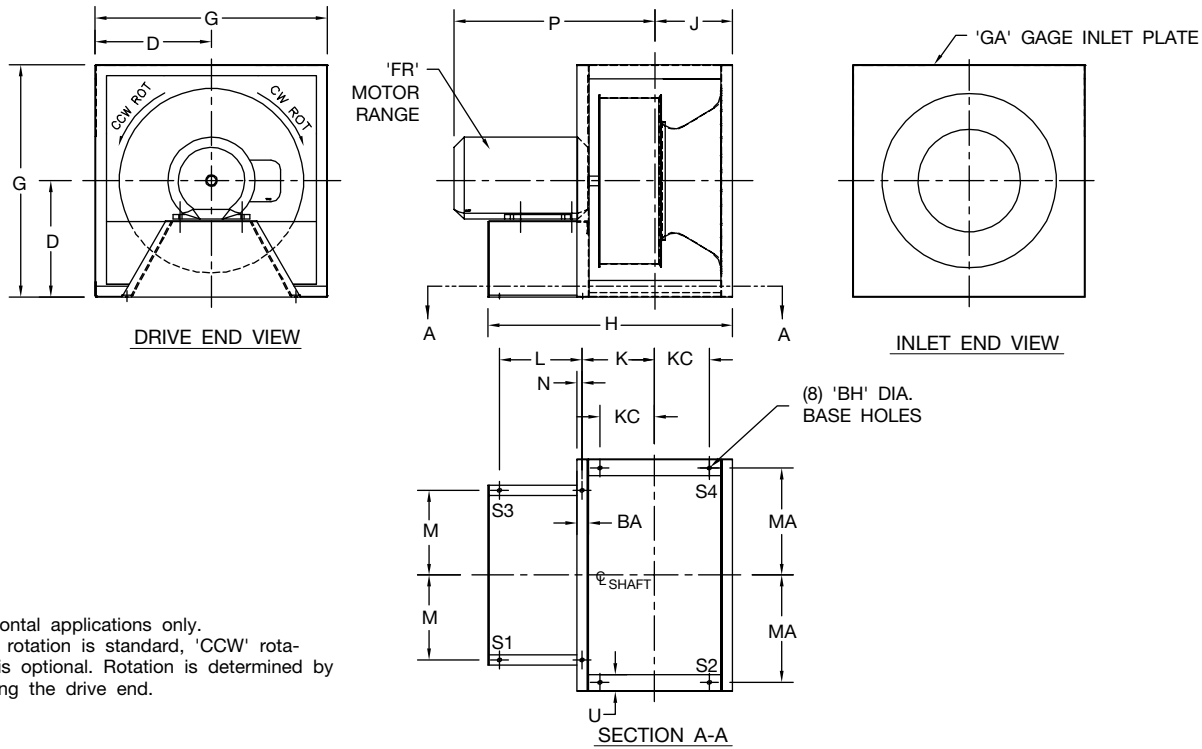
## Class I and II, Size 300 - 660

Size	BA	BH	D	FR	G	GA	H		J		K		KC		L	LA	LB	M	MA	N	P Max.		U
							50-77%	78-105%	50-77%	78-105%	50-77%	78-105%	50-77%	78-105%							50-77%	78-105%	
							Width	Width	Width	Width	Width	Width	Width	Width							Width	Width	
300	3.00	0.81	21.00	213T-215T	42.00	10	40.31	42.81	14.00	15.25	12.63	13.88	7.75	9.00	11.63	—	8	15.88	17.50	1.38	28.06	29.94	4.75
				254T-256T			44.31	46.81													32.94	34.81	
				284T-286T			45.94	48.44													35.44	37.31	
				254T-256T			46.31	49.06													33.94	35.88	
330	3.50	0.81	23.00	284T-286T	46.00	10	48.06	50.81	15.50	16.88	13.88	15.25	9.38	10.75	16.63	—	8	17.38	19.50	1.63	36.44	38.38	4.75
				324T-326T			49.81	52.56													38.94	40.88	
				284T-286T			50.38	53.38													37.81	39.31	
				324T-326T			51.25	54.25													40.31	41.81	
365	3.50	0.81	25.50	364T-365T	51.00	7	51.94	54.94	16.81	18.31	15.19	16.69	10.50	12.00	17.88	—	8	18.88	22.00	1.63	42.06	43.56	4.75
				404T-405T			54.25	57.25													47.56	49.06	
				284T-286T			53.13	56.38													37.81	39.31	
				324T-326T			54.38	57.63													41.63	43.25	
402	3.50	0.81	28.00	364T-365T	56.00	7	54.38	57.63	18.13	19.75	16.50	18.13	11.88	13.50	17.69	—	8	20.88	24.50	1.63	43.38	45.00	4.75
				404T-405T			46.50	59.75													48.88	50.50	
				324T-326T			60.00	63.63													43.00	46.50	
				364T-365T			61.13	64.75													44.75	48.25	
445	4.00	0.81	31.00	404T-405T	62.00	7	61.00	64.63	20.00	21.81	18.13	19.94	14.00	15.81	9.91	9.91	10	22.88	26.50	1.88	50.25	52.06	6.00
				324T-326T			62.94	66.88													44.56	48.00	
				364T-365T			64.06	68.00													46.31	49.75	
				404T-405T			63.81	67.75													51.81	53.81	
490	4.00	0.81	34.00	364T-365T	68.00	7	67.56	72.00	21.56	23.56	19.69	21.69	15.56	17.56	10.34	10.34	10	25.38	29.50	1.88	48.06	51.63	6.00
				404T-405T			67.25	71.69													53.56	55.81	
				364T-365T			70.63	75.06													60.06	62.31	
				404T-405T			72.81	77.69													50.19	53.56	
542	4.00	0.81	38.00	404T-405T	76.00	7	73.56	78.44	23.31	25.56	21.44	23.69	17.31	19.56	10.56	10.56	10	30.63	33.50	1.88	55.69	58.13	6.00
				444T-445T			75.50	80.38													62.19	64.63	
				364T-365T			76.38	81.75													52.25	56.19	
				404T-405T			77.44	82.81													57.75	60.44	
600	5.00	0.81	38.00	444T-445T	76.00	0.25	77.44	82.81	26.38	28.81	24.00	26.44	19.38	21.81	11.53	11.53	10	30.63	33.50	2.38	62.19	64.63	6.00
				364T-365T			76.38	81.75													52.25	56.19	
				404T-405T			77.44	82.81													57.75	60.44	
				444T-445T			80.19	85.56													64.25	66.94	
660	5.00	0.81	40.75	404T-405T	81.50	0.25	77.44	82.81	28.38	31.13	26.00	28.75	21.44	24.13	11.81	11.81	10	33.13	36.25	2.38	57.75	60.44	6.00
				444T-445T			80.19	85.56													64.25	66.94	

R1004953

DIMENSIONS ARE SUBJECT TO CHANGE. CERTIFIED DRAWINGS AVAILABLE UPON REQUEST.

# Horizontal, Arr. 4 - Class III



**NOTES:**

1. Horizontal applications only.
2. 'CW' rotation is standard, 'CCW' rotation is optional. Rotation is determined by viewing the drive end.

## Class III, Size 182 - 330

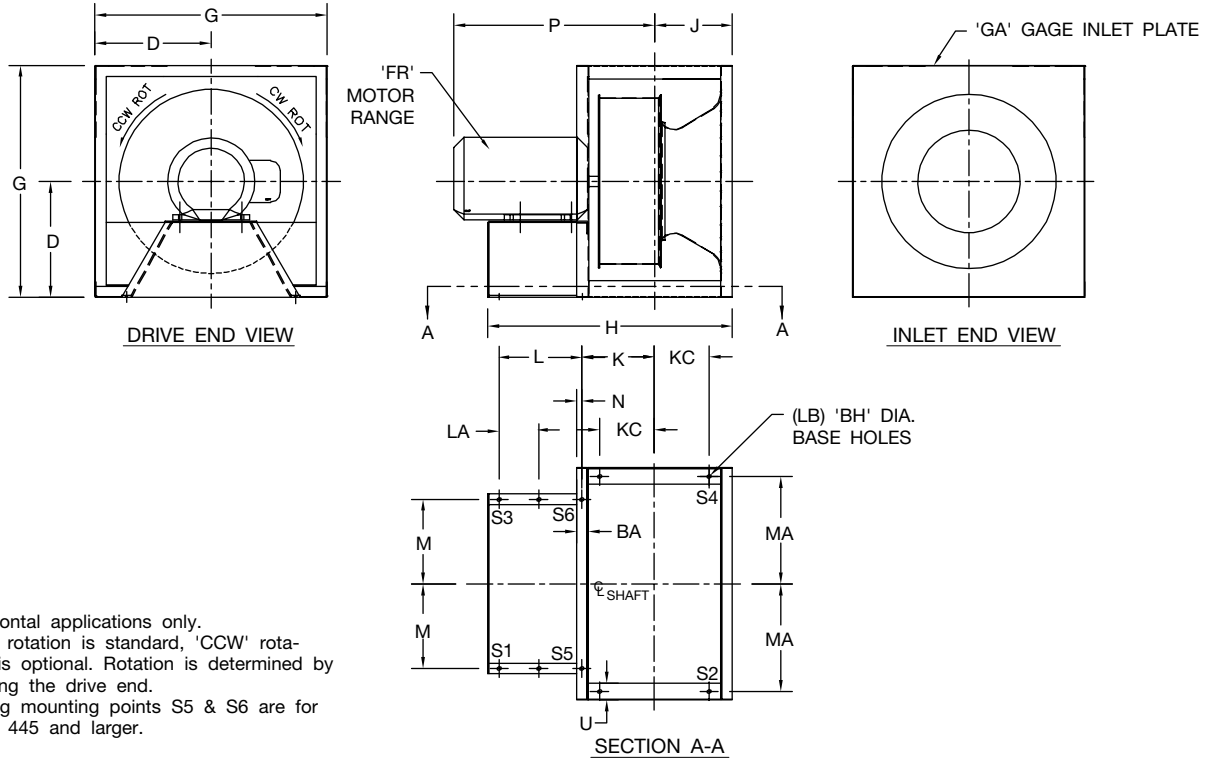
Size	BA	BH	D	FR	G	GA	H		J		K		KC		L	M	MA	N	P Max.		U	
							50-77%	78-105%	50-77%	78-105%	50-77%	78-105%	50-77%	78-105%					50-77%	78-105%		
							Width	Width	Width	Width	Width	Width	Width	Width					Width	Width		
182	1.75	0.81	13.00	143T-145T	26.00	10	27.00	28.44	8.75	9.50	8.00	8.75	4.50	5.25	8.13	9.63	11.50	0.75	19.38	20.13	4.00	
				182T-184T			28.25	29.69											9.38	20.75		21.50
				213T-215T			29.75	31.19											10.88	24.13		24.88
200	2.25	0.81	14.50	143T-145T	29.00	10	29.13	30.69	9.88	10.69	8.88	9.69	6.69	7.50	8.25	10.63	13.00	1.00	20.00	20.81	4.00	
				182T-184T			30.50	32.06											9.63	21.38		22.19
				213T-215T			31.63	33.19											10.75	24.75		25.56
222	2.25	0.81	16.00	182T-184T	32.00	7	32.56	34.38	10.56	11.50	9.56	10.50	7.06	8.00	10.31	11.75	14.50	1.00	22.13	23.06	4.00	
				213T-215T			33.44	35.25											11.19	25.50		26.44
				254T-256T			37.44	39.25											15.19	30.38		31.31
245	2.50	0.81	17.00	182T-184T	34.00	7	34.94	36.88	11.63	12.63	10.50	11.50	6.50	7.50	10.69	12.88	14.50	1.13	22.94	23.94	4.00	
				213T-215T			35.56	37.50											11.31	26.31		27.31
				254T-256T			39.31	41.25											15.06	31.19		32.19
270	2.50	0.81	19.00	213T-215T	38.00	7	37.56	39.75	12.50	13.63	11.38	12.50	6.88	8.00	11.56	14.13	16.50	1.13	27.19	28.31	4.00	
				254T-256T			40.69	42.88											14.69	32.06		33.19
				284T-286T			42.44	44.63											16.44	34.56		35.69
300	3.00	0.81	21.00	213T-215T	42.00	7	40.50	42.94	14.00	15.25	12.63	13.88	7.75	9.00	11.75	15.88	17.50	1.38	28.19	29.44	4.75	
				254T-256T			43.44	45.88											14.69	33.06		34.31
				284T-286T			44.94	47.38											16.19	35.56		36.81
330	3.50	0.81	23.00	324T-326T	46.00	7	46.69	49.13	15.50	16.88	13.88	15.25	9.38	10.75	17.94	17.38	19.50	1.63	38.06	39.31	4.75	
				254T-256T			44.94	47.63											13.44	34.06		35.44
				284T-286T			46.44	49.13											14.94	36.56		37.94
				324T-326T			48.75	51.44														

R1004978

DIMENSIONS ARE SUBJECT TO CHANGE. CERTIFIED DRAWINGS AVAILABLE UPON REQUEST.



# Horizontal, Arr. 4 - Class III



- NOTES:**
- Horizontal applications only.
  - 'CW' rotation is standard, 'CCW' rotation is optional. Rotation is determined by viewing the drive end.
  - Spring mounting points S5 & S6 are for sizes 445 and larger.

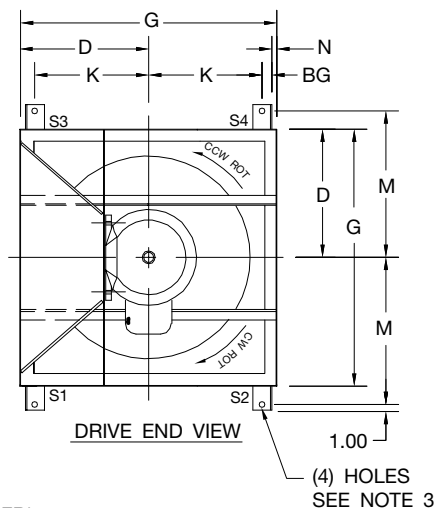
## Class III, Size 365 - 660

Size	BA	BH	D	FR	G	GA	H		J		K		KC		L	LA	LB	M	MA	N	P Max.		U
							50-77%	78-105%	50-77%	78-105%	50-77%	78-105%	50-77%	78-105%							50-77%	78-105%	
							Width	Width	Width	Width	Width	Width	Width	Width							Width	Width	
365	3.50	0.81	25.50	284T-286T	51.00	0.25	48.25	51.19	16.81	18.31	15.19	19.69	10.50	12.00	14.13	—	8	18.88	22.00	1.63	38.00	39.44	4.75
				324T-326T			49.38	52.31							15.25	—	8				40.50	41.94	
				364T-365T			50.63	53.56							16.50	—	8				42.25	43.69	
				404T-405T			53.63	56.56							9.75	9.75	10				47.75	49.19	
402	3.50	0.81	28.00	284T-286T	56.00	0.25	52.50	55.69	18.13	19.75	16.50	18.13	11.88	13.50	15.75	—	8	20.88	24.50	1.63	39.31	40.88	4.75
				324T-326T			53.75	56.94							17.00	—	8				41.81	43.38	
				364T-365T			53.25	56.44							16.50	—	8				43.56	45.13	
				404T-405T			56.25	59.44							9.75	9.75	10				49.06	50.63	
445	4.00	0.81	31.00	324T-326T	62.00	0.25	56.25	59.81	20.00	21.81	18.13	19.94	14.00	15.81	16.00	—	8	22.88	26.50	1.88	50.44	52.19	6.00
				404T-405T			59.63	63.19							9.69	9.69	10				56.94	58.69	
				444T-445T			63.38	66.94							11.56	11.56	10				60.44	62.19	
				324T-326T			60.06	63.94							16.63	—	8				44.75	46.69	
490	4.00	0.81	34.00	364T-365T	68.00	0.25	60.44	64.31	21.56	23.56	19.69	21.69	15.56	17.56	17.00	—	8	25.38	29.50	1.88	46.50	48.44	6.00
				404T-405T			61.44	65.31							18.00	—	8				52.00	53.94	
				444T-445T			66.19	70.06							11.38	11.38	10				58.50	60.44	
				364T-365T			63.56	67.94							16.63	—	8				48.25	50.44	
542	4.00	0.81	38.00	404T-405T	76.00	0.25	65.44	69.81	23.31	25.56	21.44	23.69	17.31	19.56	9.25	9.25	10	27.63	33.50	1.88	53.75	55.94	6.00
				444T-445T			69.13	73.50							11.09	11.09	10				60.25	62.44	
				364T-365T			71.56	76.38							9.53	9.53	10				50.38	52.81	
				404T-405T			71.31	76.13							9.41	9.41	10				55.88	58.31	
600	5.00	0.81	38.00	444T-445T	76.00	0.31	74.06	78.88	26.38	28.81	24.00	26.44	19.38	21.81	10.78	10.78	10	30.63	33.50	2.38	62.38	64.81	6.00
				364T-365T			78.06	83.38							10.71	10.71	10				52.50	55.44	
				404T-405T			77.69	83.00							10.53	10.53	10				58.00	60.63	
				444T-445T			76.44	84.75							11.41	11.41	10				64.50	67.13	

R1004979

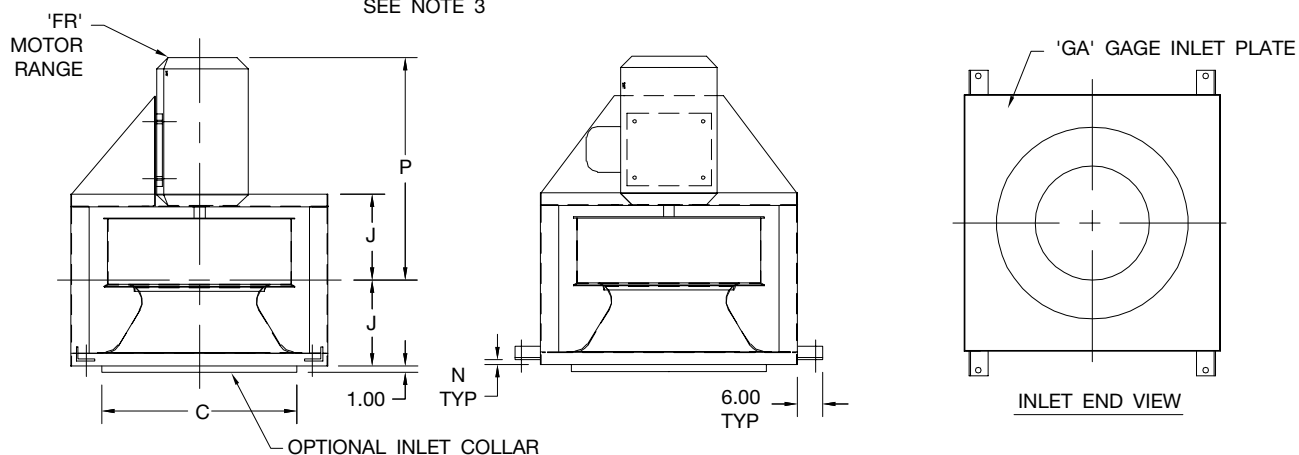
DIMENSIONS ARE SUBJECT TO CHANGE. CERTIFIED DRAWINGS AVAILABLE UPON REQUEST.

# Vertical, Arr. 4V - Class I and II



**NOTES:**

1. Vertical applications only.
2. 'CW' rotation is standard, 'CCW' rotation is optional. Rotation is determined by viewing the drive end.
3. Spring bracket holes are sized per spring type. Hole diameters when bracket is used as a mounting foot are as follows:  
Size 182-365: 0.56  
Size 402-490: 0.81



Size	BG	C	D	FR	G	GA	J		K	M	N	P MAX.	
							50-70% WIDTH	71-105% WIDTH				50-70% WIDTH	71-105% WIDTH
182	1.63	19.50	13.00	143T - 215T	26.00	12	8.75	9.50	10.38	18.00	1.00	25.13	26.00
200	1.63	21.38	14.50	143T - 215T	29.00	12	9.88	10.69	11.38	19.50	1.50	25.63	26.75
222	1.63	23.75	16.00	182T - 256T	32.00	10	10.56	11.50	12.88	21.00	1.50	31.88	33.00
245	1.63	26.06	17.00	182T - 256T	34.00	10	11.63	12.63	13.88	22.00	1.50	32.63	33.75
270	1.63	28.50	19.00	213T - 286T	38.00	10	12.50	13.63	15.88	24.00	1.50	35.88	37.00
300	1.63	31.63	21.00	213T - 286T	42.00	10	14.00	15.25	17.88	26.00	1.50	36.88	38.00
330	1.63	34.75	23.00	254T - 326T	46.00	10	15.50	16.88	19.88	28.00	1.50	40.25	42.13
365	2.13	38.50	25.50	284T - 405T	51.00	7	16.81	18.31	21.88	30.50	1.50	48.50	51.25
402	2.13	42.44	28.00	284T - 405T	56.00	7	18.13	19.75	24.38	33.00	1.50	49.88	52.63
445	2.13	46.88	31.00	324T - 405T	62.00	7	20.00	21.81	27.38	36.00	1.50	52.88	54.88
490	2.13	51.63	34.00	324T - 405T	68.00	7	21.56	23.56	30.38	39.00	1.50	54.19	56.50

R1004954  
R1004955  
R1004956

DIMENSIONS ARE SUBJECT TO CHANGE. CERTIFIED DRAWINGS AVAILABLE UPON REQUEST.

Fans shall be Model CPLF, CPLFN, CPLQ or CPLQN centrifugal plenum (plug) type, as manufactured by Aerovent, Minneapolis, Minnesota.

Fans shall have a sharply rising pressure characteristic extending through the operating range and continuing to rise beyond the peak efficiency to ensure quiet and stable operation. Fans shall have a non-overloading design with self-limiting horsepower characteristics and shall reach a peak in the normal selection area. All fans shall be capable of operating over the minimum pressure class limits as specified in AMCA's Standard 2408-69.

**PERFORMANCE** — Performance ratings shall conform to AMCA Standard 205 (fan efficiency grade), 211 (air performance) and 311 (sound performance). Fans shall be tested in accordance with ANSI/AMCA Standard 210 (air performance) and 300 (sound performance) in an AMCA accredited laboratory. Fans shall be licensed to bear the AMCA certified ratings seal for both sound and air, and fan efficiency grade (FEG). Arrangement 3 fans shall be tested and rated with shaft, bearings, and bearing bar in the inlet. Sound certification shall apply to both inlet and outlet sound power levels.

Fans shall have a sharply rising pressure characteristic extending through the operating range and continuing to rise beyond the peak efficiency to ensure quiet and stable operation. Fans shall have a non-overloading design with self-limiting horsepower characteristics and shall reach a peak in the normal selection area. All fans shall be capable of operating over the minimum pressure class limits as specified in AMCA Standard 99.

**CONSTRUCTION** — Fans shall be designed without a scroll type housing and shall incorporate a non-overloading type backward inclined airfoil blade wheel, heavy-gauge reinforced steel inlet plate, structural steel frame, and shaft and bearings.

**FRAME AND INLET PANEL** — Inlet panels shall be of heavy-gauge reinforced steel construction. The inlet panel incorporates a removable spun inlet cone designed for smooth airflow into the accompanying inlet retaining ring of the fan wheel. A square, formed lip suitable for attachment of a boot connector shall surround the unit.

**WHEEL** — Wheels shall have a spun non-tapered style blade retaining ring on the inlet side to allow higher efficiencies over the performance range of the fan. Sizes 245 and smaller shall have airfoil-shaped extruded aluminum blades. Sizes 270 and larger shall have die-formed airfoil steel blades with the option of extruded aluminum blades. All wheels on direct drive arrangement 4 fans shall have airfoil-shaped extruded aluminum blades. All hollow blade wheels shall be continuously welded around all edges. CPLF and CPLFN wheels shall have nine blades for high efficiencies. CPLQ and CPLQN wheels shall have twelve blades for better sound quality. All wheels shall be statically and dynamically balanced on precision electronic balancers to a Balance Quality Grade G6.3 per ANSI/AMCA 204 or better.

**SHAFT** — Shafts shall be AISI 1040 or 1045 hot rolled steel, accurately turned, ground, polished, and ring gauged for verification. Shafts shall be sized for the first critical speed of at least 1.43 times the maximum speed. All shafts must be dial indicated for straightness after the keyways are cut and straightened as required.

**FAN BEARINGS** — Bearings shall be heavy duty, grease lubricated, spherical roller or adapter mounted anti-friction ball, self-aligning, pillow block type and selected for a minimum bearing life (AFBMA L-10) in excess of 80,000 hours at the maximum fan RPM. All bearings shall be equipped with greasable zerk fittings and, where necessary, extended lube lines for easy access for lubrication.

**DRIVE** — Motor sheaves shall be cast iron, variable pitch on applications 10 HP and smaller, and fixed pitch on 15 HP and larger. Drives and belts shall be rated for 140% of the required motor HP.

**FINISH AND COATING** — The entire fan assembly, excluding the shaft, shall be thoroughly degreased and deburred before application of a rust-preventative primer. After the fan is completely assembled, a finish coat of paint shall be applied to the entire assembly. The fan shaft shall be coated with a petroleum-based rust protectant. Aluminum components shall be unpainted.

**ACCESSORIES** — When specified, accessories shall be provided by Aerovent to maintain one source responsibility.

**VARIABLE INLET VANES** — When specified, the variable inlet vanes shall be internal "nested" type. Each assembly is to have eleven vanes on sizes 245 and larger, and eight vanes on sizes 182 through 222. Each vane assembly shall be complete with quadrant and handle, suitable for manual or automatic operation. Construction shall be heavy-gauge and shall be of the cantilever design. Vanes are lubricated for life with a high quality moisture-resistant lubricant.

**FACTORY RUN TEST** — All fans prior to shipment shall be completely assembled and test run as a unit at the specified operating speed or maximum RPM allowed for the particular construction type. Maximum vibration shall be within the limits of ANSI/AMCA 204 Fan Application Category BV-3. Balance readings shall be taken by electronic type equipment in the axial, vertical, and horizontal directions on each of the bearings. Records shall be maintained and a written copy shall be available upon request.

**GUARANTEE** — The manufacturer shall guarantee the workmanship and materials for its CPLF, CPLFN, CPLQ and CPLQN fans for at least one (1) year from startup or eighteen (18) months from shipment, whichever occurs first.

---

**PROPELLER FANS | TUBEAXIAL & VANEAXIAL FANS | CENTRIFUGAL FANS & BLOWERS | ROOF VENTILATORS  
INDUSTRIAL AIR HANDLERS | AIR MAKE-UP | FIBERGLASS FANS | CUSTOM FANS**



**AEROVENT**  
A Twin City Fan Company

**AEROVENT**   
INDUSTRIAL VENTILATION SYSTEMS

**[WWW.AEROVENT.COM](http://WWW.AEROVENT.COM)**

---

**5959 Trenton Lane N | Minneapolis, MN 55442 | Phone: 763-551-7500 | Fax: 763-551-7501**