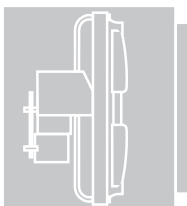
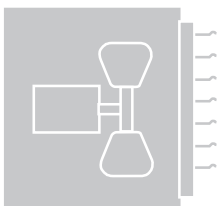
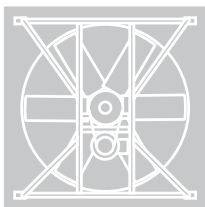
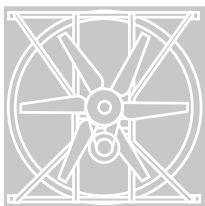
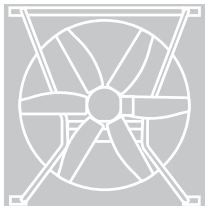


Propeller Wall



Propeller Wall Fans

Introduction	2-3
Construction Comparison	4
Specifications & Dimensions	
XWD / XWDEC (Aluminum Propeller, Direct Drive)	5
XWHD (Heavy Duty, Aluminum Propeller, Direct Drive)	6
XPD / XPDEC (Packaged, Aluminum Propeller, Direct Drive)	7
XPHD (Packaged, Heavy Duty, Aluminum Propeller, Direct Drive)	8
XLW / XMW (Low or Medium Pressure, Steel Propeller, Belt Drive)	9
XLWH / XMWH (Heavy Duty, Low or Medium Pressure, Steel Propeller, Belt Drive)	10
XLP / XLPH / XMP / XMPH (Packaged, Standard or Heavy Duty, Low or Medium Pressure, Steel Propeller, Belt Drive)	11
AWD (Cast Aluminum Propeller, Direct Drive)	12
AWB (Cast Aluminum Propeller, Belt Drive)	13
APD (Packaged, Cast Aluminum Propeller, Direct Drive)	14
APB (Packaged, Cast Aluminum Propeller, Belt Drive)	15
EWD (Extruded Aluminum Propeller, Direct Drive)	16
EWB (Extruded Aluminum Propeller, Belt Drive)	17
EPD (Packaged, Extruded Aluminum Propeller, Direct Drive)	18
EPB (Packaged, Extruded Aluminum Propeller, Belt Drive)	19
Typical Installations	20
Options & Accessories	21-25
Filter Media & Accessory Pressure Drop	26-27
Performance Data	
XWD / XWDEC	28-30
XWHD	31
AWD	32
EWD	33
XLW / XMW	34-37
AWB	38
EWB	39-40
XPD / XPDEC	41-43
XPHD	43-44
APD	45
EPD	45
XLP / XMP	46-49
APB	50
EPB	50-51

A wide variety of applications

LOREN COOK COMPANY Propeller Wall Fans are offered with four types of propellers, in two drive configurations, with a variety of accessories to fit different installations.



All units are produced in an ISO 9001 certified facility and are listed by Underwriters Laboratory (UL 705) and UL Listed for Canada (cUL 705).

Four propellers



“X Series” Aluminum Propeller

- Designed for light commercial and industrial direct drive applications.
- Constructed of standard aluminum blades and mounted to a steel hub.
- The X Series prop replaces the S Series prop.



XWD (shown), XWHD, XPD, XPHD



“X.STREAM Series” Steel Propeller

- Designed using Computational Fluid Dynamics (CFD) and Finite Element Analysis (FEA) to provide optimum air flow, efficiency, quality and durability.
- Constructed of fabricated steel blades securely attached to a minimum 7 gauge steel hub.
- Lorenized powder coat



XLW (shown), XLP, XMW, XMP, XLWH, XLPH, XMWH, XMPH



“A Series” Cast Aluminum Airfoil Prop

- Designed for heavy commercial or industrial applications, where large volumes of air are required at low static pressures.
- Constructed with six cast aluminum airfoil blades and mounted in a cast aluminum hub.
- Blade pitch is determined at the factory, and the blades are locked into place with roll pins

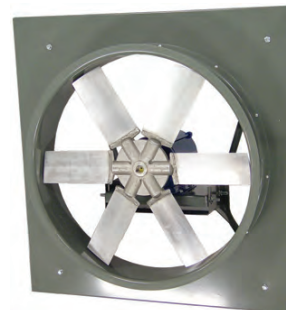


AWD (shown), APD, AWB, APB



“E Series” Extruded Aluminum Airfoil Prop

- Designed for use where higher static pressures are required.
- Constructed with four or six extruded aluminum airfoil blades and mounted in a cast aluminum hub.
- Blade pitch is determined at the factory and the blades are locked into place with roll pins.
- Has a non-overloading characteristic such as is found in a centrifugal type wheel.
- Statically and dynamically balanced for vibration free operation.



EWD (shown), EPD, EWB, EPB



XWD X Series Aluminum Prop.						
Motor	Construction	Configuration	Model	Prop Size	Max. CFM	Max. S. P.
Direct Drive EC	Standard Duty	Standard	XWDEC	10 - 20"	4292	0.75"
		Packaged				
Direct Drive	Standard Duty	Standard	XWD	8 - 24"	6,600	0.5"
		Packaged	XPD			
	Heavy Duty	Standard	XWHD	12 - 24"	8,000	0.75"
		Packaged	XPHD			



XLW, XMW, XLWH & XMWH X.Stream Steel Prop.								
Motor	Construction	Prop. Type	Configuration	Model	Prop Size	Max. CFM	Max. S. P.	24hr
Belt Drive	Standard Duty	Low Pressure	Standard	XLW	20 - 60"	33,000	0.5"	✓
			Packaged	XLP		28,000	0.5"	✓
		Medium Pressure	Standard	XMW	20 - 60"	33,000	1"	✓
			Packaged	XMP		27,000	1"	✓
	Heavy Duty	Low Pressure	Standard	XLWH	20 - 60"	59,000	1"	✓
			Packaged	XLPH		49,000	1"	✓
Medium Pressure		Standard	XMWH	20 - 60"	57,000	0.75"	✓	
		Packaged	XMPH		46,000	1"	✓	



AWD & AWB A Series Cast Aluminum Prop.					
Motor	Configuration	Model	Prop Size	Max. CFM	Max. S. P.
Direct Drive	Standard	AWD	12 - 48	33,000	0.75"
	Packaged	APD	16 - 36	12,000	0.375"
Belt Drive	Standard	AWB	24 - 48	42,000	0.5"
	Packaged	APB	24 - 48	20,000	0.375"

24hr 24 Hour Express



EWD & EWB E Series Extruded Aluminum Prop.					
Motor	Configuration	Model	Prop Size	Max. CFM	Max. S. P.
Direct Drive	Standard	EWD	20 - 54"	59,000	1"
	Packaged	EPD		50,000	1"
Belt Drive	Standard	EWB	24 - 72"	95,000	1.5"
	Packaged	EPB		80,000	0.75"



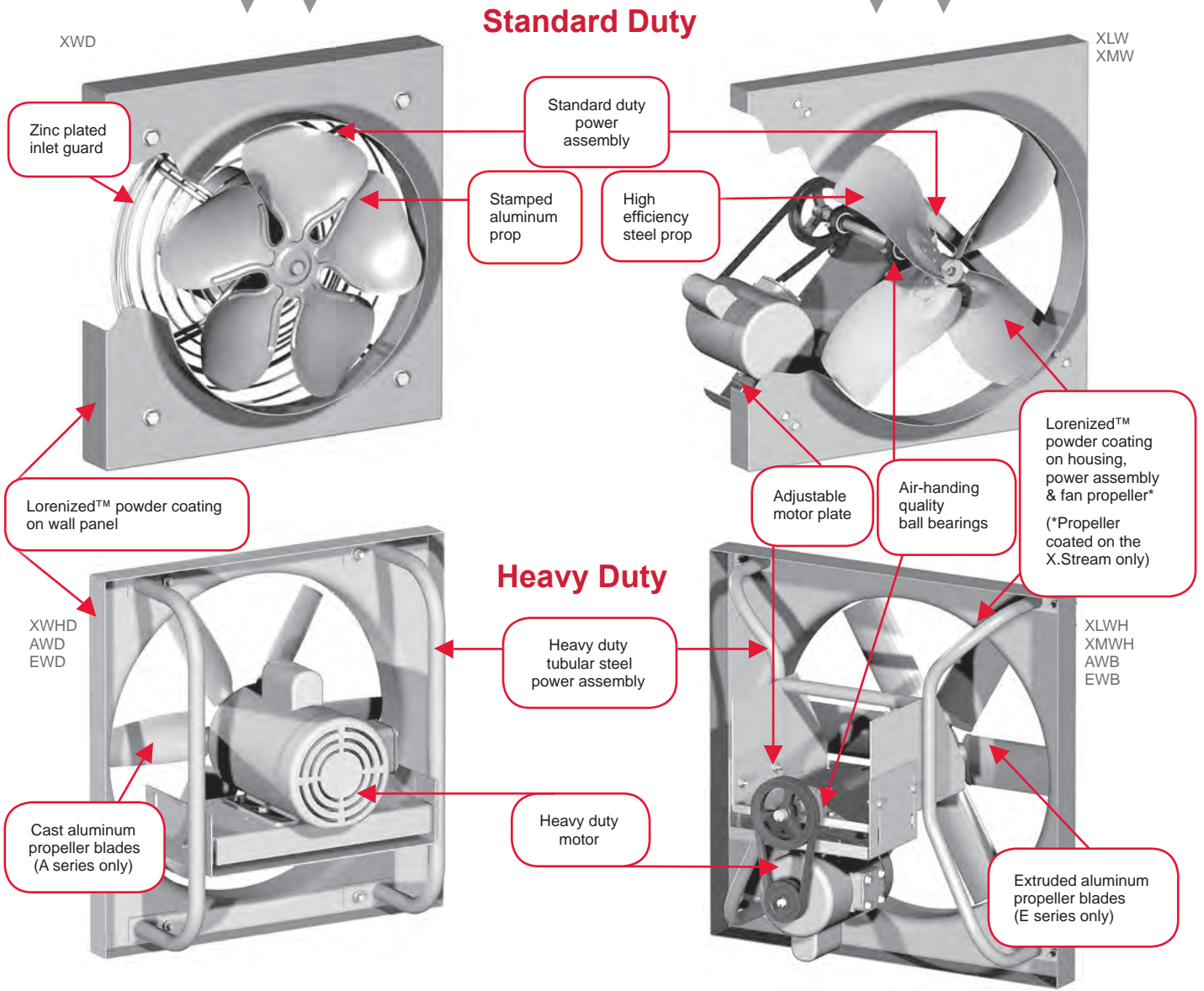
Packaged fans

- XPD, XPDEC, XLP, XMP, APD, APB, EPD, and EPB are packaged fans utilizing corresponding COOK propellers. Packaged fans include a standard wall fan in a galvanized steel enclosure with integral mounting flange and weather resistant shutter. See page 4
- Available in exhaust or supply.
- APD & APB are licensed to bear AMCA Certified Seal for Air Performance.

Note: Propeller Wall fans are available in exhaust (standard) and supply. Be advised: propeller wall fans may bring moisture into the building when used for supply. See ASP Series, KSP Series, CFS Series, HMD, QMXX, CVR-S, SEP, ETS, REBS, HES-D, HES, HXS or Economizer for other supply options.

Direct Drive Models

Belt Drive Models



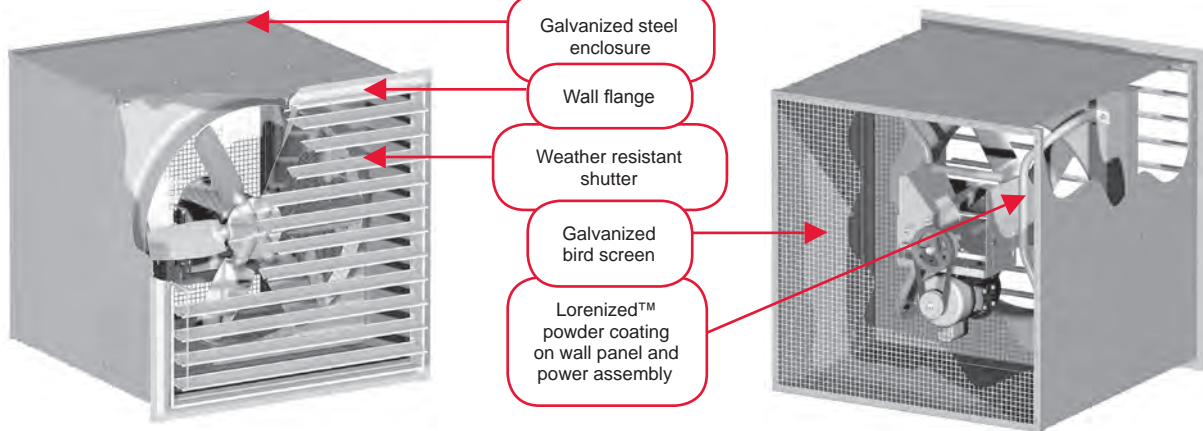
Packaged Fans

Intake

(Direct Drive Or Belt Drive)

Outlet

XPD
XPHD
XLP
XLPH
XMP
XMPH
XPD
APD
APB
EPD
EPB





XWD

Wall Fan, Aluminum Propeller, Direct Drive

- **Description:** Fan shall be a wall mounted, direct driven, propeller exhaust fan.
- **Certifications:** Fan shall be manufactured at an ISO 9001 certified facility. Fan shall be listed by Underwriters Laboratories (UL 705) and UL listed for Canada (cUL 705). Fan shall bear the AMCA Certified Ratings Seal for Sound and Air Performance.
- **Construction:** Fan shall be of bolted and welded construction utilizing corrosion resistant fasteners. The motor shall be mounted on a 12 gauge steel wire guard. The wire guard shall be bolted to a minimum 14 gauge wall panel with continuously welded corners and an integral venturi. Unit shall bear an engraved aluminum nameplate. Nameplate shall indicate design CFM and static pressure. Unit shall be shipped in ISTA Certified Transit Tested Packaging.
- **Coating:** All steel fan components shall be Lorenized™ with an electrostatically applied, baked polyester powder coating. Each component shall be subject to a five stage environmentally friendly wash system, followed by a 1.5 to 2.5 mil thick baked powder finish. Paint must exceed 1,000 hour salt spray under ASTM B117 test method.
- **Propeller:** Propeller shall have aluminum blades riveted to a painted steel hub. The hub shall be securely fastened to the motor shaft utilizing two setscrews. Propeller shall be balanced in accordance with AMCA Standard 204-05, Balance Quality and Vibration Levels for Fans.
- **Motor:** Motor shall be NEMA Design B with Class B insulation rated for continuous duty and furnished at the specified voltage, phase and enclosure.
- **Motor EC:** Motor shall be 115/1/60, with permanently lubricated sealed bearings.
- **Product:** Fan shall be type XWD as manufactured by LOREN COOK COMPANY of Springfield, Missouri.



LOREN COOK COMPANY certifies that the XWD shown herein is licensed to bear the AMCA Seal. The ratings shown are based on tests and procedures performed in accordance with AMCA Publication 211 and AMCA Publication 311 and comply with the requirements of the AMCA Certified Ratings Program.



Model XWD is furnished standard with UL 705 and CUL 705 listing (Power Ventilator) when furnished with factory supplied motor.

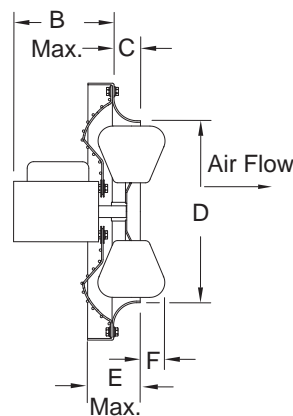
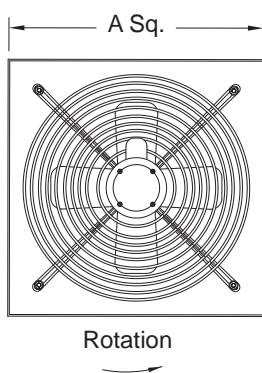
Also available in a supply model: XWD-S.

Dimensions (inches)

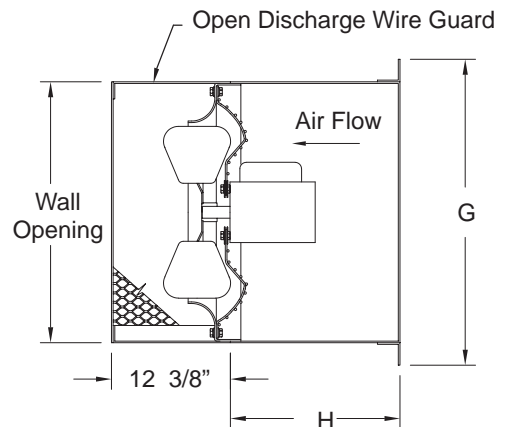
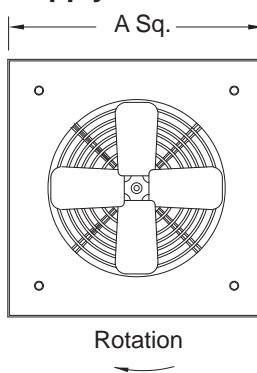
Size	A		B	C	D	E	F	G	H	Wall opening*		Shipping weight (pounds)	
	Exhaust	Supply								Exhaust	Supply	Exhaust	Supply
8	12-3/16	12-1/8	3-1/4	1	8-3/4	3	3/4	15-3/16	12	12-7/16	12-7/8	12	28
10	16-3/16	16-3/16	4-3/4	1-1/2	10-3/4	3-1/2	1-1/2	19-1/4	14-3/8	16-7/16	17	20	42
12	16-3/16	16-3/16	4-3/4	1-3/4	12-3/4	3-3/4	1-1/2	19-1/4	14-3/8	16-7/16	17	22	44
14	20-3/16	20-3/16	5-13/16	2-1/2	14-3/4	4-1/2	1-5/8	23-1/4	15-3/8	20-7/16	21	26	54
16	20-3/16	20-3/16	5-13/16	2-1/2	16-3/4	4-1/2	2	23-1/4	15-3/8	20-7/16	21	30	58
18	24-3/16	24-3/16	5-13/16	2-3/4	18-3/4	4-3/4	2-1/8	27-1/4	17-5/8	24-7/16	25	34	67
20	24-3/16	24-3/16	5-13/16	2-3/4	20-3/4	4-3/4	2-1/8	27-1/4	17-5/8	24-7/16	25	40	73
24	30-3/16	30-3/16	6-1/16	3-3/4	25	6-5/8	1-3/8	33-1/4	18-3/4	30-7/16	31	48	95

Weights are estimated, including motor. *See accessories for wall opening.

Exhaust



Supply





XWHD

Wall Fan, Heavy Duty, Aluminum Propeller, Direct Drive

- **Description:** Fan shall be a wall mounted, direct driven, propeller exhaust fan.
- **Certifications:** Fan shall be manufactured at an ISO 9001 certified facility. Fan shall be listed by Underwriters Laboratories (UL 705) and UL listed for Canada (cUL 705). Fan shall bear the AMCA Certified Ratings Seal for Sound and Air Performance.
- **Construction:** Fan shall be of bolted and welded construction utilizing corrosion resistant fasteners. The motor shall be mounted on a 14 gauge steel mounting plate and power assembly. The power assembly shall be bolted to a minimum 14 gauge steel panel with continuously welded corners and an integral venturi. Unit shall bear an engraved aluminum nameplate. Nameplate shall indicate design CFM and static pressure. Unit shall be shipped in ISTA Certified Transit Tested Packaging.
- **Coating:** All steel fan components shall be Lorenized™ with an electrostatically applied, baked polyester powder coating. Each component shall be subject to a five stage environmentally friendly wash system, followed by a 1.5 to 2.5 mil thick baked powder finish. Paint must exceed 1,000 hours salt spray under ASTM B117 test method.
- **Propeller:** Propeller shall have aluminum blades riveted to a painted steel hub. The hub shall be securely fastened to the motor shaft utilizing two setscrews. Propeller shall be balanced in accordance with AMCA Standard 204-05, Balance Quality and Vibration Levels for Fans.
- **Motor:** Motor shall be NEMA Design B with Class B insulation rated for continuous duty and furnished at the specified voltage, phase and enclosure.
- **Product:** Fan shall be type XWHD as manufactured by LOREN COOK COMPANY of Springfield, Missouri.



LOREN COOK COMPANY certifies that the XWHD shown herein is licensed to bear the AMCA Seal. The ratings shown are based on tests and procedures performed in accordance with AMCA Publication 211 and AMCA Publication 311 and comply with the requirements of the AMCA Certified Ratings Program.



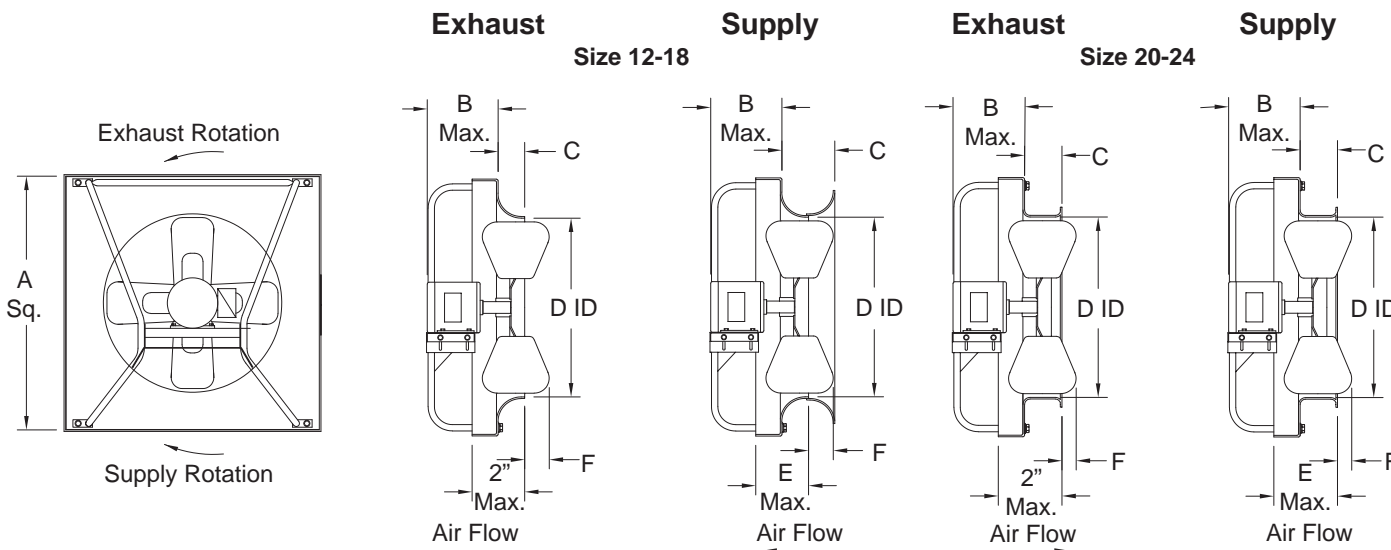
Model XWHD is furnished standard with UL 705 and CUL 705 listing (Power Ventilator) when furnished with factory supplied motor.

Also available in a supply model: XWHD-S.

Dimensions (inches)

Size	A	B	C		D	E	F	Wall opening*	Shipping weight (pounds)
			Exhaust	Supply					
12	16-3/16	4-3/4	1-3/4	3-1/4	12-3/4	3-1/2	1-1/2	16-7/16	68
14	20-3/16	5-13/16	2-1/2	**	14-3/4	4-1/2	1-5/8	20-7/16	89
16	20-3/16	5-13/16	2-1/2	4-1/2	16-3/4	4-1/2	2	20-7/16	93
18	24-3/16	5-13/16	2-3/4	**	18-3/4	4-3/4	2-1/8	24-7/16	107
20	24-3/16	5-13/16	6-5/8	6-5/8	20-3/4	8-5/8	-5/8	24-7/16	113
24	30-3/16	6-1/16	6-5/8	6-5/8	25	6-5/8	5/8	30-7/16	140

Weights are estimated, including ODP motor. *See accessories for wall opening. **Size not available in supply.





Models XPD is furnished standard with UL 705 and CUL 705 listing (Power Ventilator) when furnished with factory supplied motor.

XPD

Packaged Wall Fan, Aluminum Propeller, Direct Drive

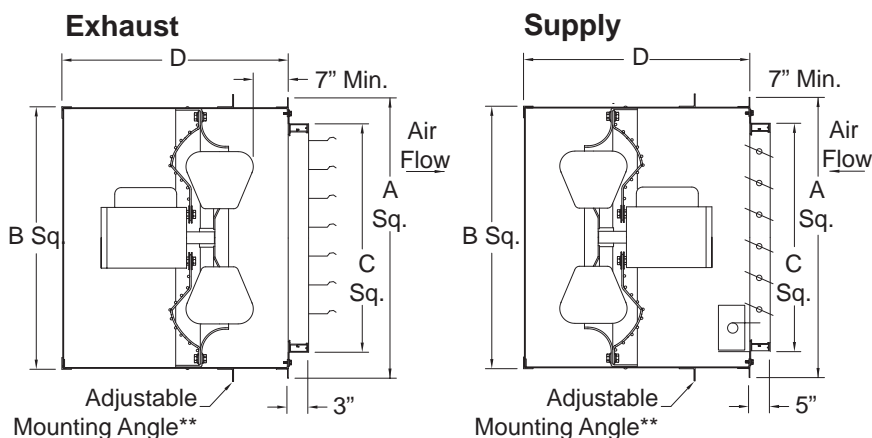
- **Description:** Fan shall be a wall mounted, direct driven, aluminum propeller exhaust or supply fan with integral housing, shutter, and inlet guard.
- **Certifications:** Fan shall be manufactured at an ISO 9001 certified facility. Fan shall be listed by Underwriters Laboratories (UL 705) and UL listed for Canada (cUL 705).
- **Construction:** The fan shall be of bolted and welded construction utilizing corrosion resistant fasteners. The motor shall be mounted on a 12 gauge steel wire guard. The wire guard shall be bolted to a minimum 14 gauge wall panel with continuously welded corners and an integral venturi. Fan shall be enclosed in minimum 18 gauge galvanized steel wall housing with factory installed shutter and inlet guard. Unit shall bear an engraved aluminum nameplate. Nameplate shall indicate design CFM and static pressure. Unit shall be shipped in ISTA Certified Transit Tested Packaging.
- **Coating:** All steel fan components shall be Lorenized™ with an electrostatically applied, baked polyester powder coating. Each component shall be subject to a five stage environmentally friendly wash system, followed by a minimum 1.5 to 2.5 mil thick baked powder finish. Paint must exceed 1,000 hour salt spray under ASTM B117 test method.
- **Propeller:** Propeller shall have aluminum blades riveted to a painted steel hub. The hub shall be securely fastened to the motor shaft utilizing two setscrews. Propeller shall be balanced in accordance with AMCA Standard 204-05, Balance Quality and Vibration Levels for Fans.
- **Motor:** Motor shall be NEMA Design B with Class B insulation rated for continuous duty and furnished at the specified voltage, phase and enclosure.
- **Motor EC:** Motor shall be 115/1/60, with permanently lubricated sealed bearings.
- **Product:** Fan shall be type XPD as manufactured by LOREN COOK COMPANY of Springfield, Missouri.

Also available in a supply model: XPD-S.

Dimensions (inches)

Size	A	B*	C	D*	Wall opening	Shipping weight (pounds)
8	15-1/2	13	10	13-3/4	13-1/4	53
10	19-1/2	17	14	17-3/4	17-1/4	65
12	19-1/2	17	14	17-3/4	17-1/4	76
14	23-1/2	21	18	22-1/4	21-1/4	82
16	23-1/2	21	18	22-1/4	21-1/4	95
18	27-1/2	25	22	23-1/4	25-1/4	120
20	27-1/2	25	22	23-1/4	25-1/4	139
24	33-1/2	31	27-1/2	23-1/4	31-1/4	151

Weights are estimated, including motor. * B and D dimensions are to the outside of fasteners on wall housing. **Shipped loose for field mounting.





XPHD

Packaged Wall Fan, Heavy Duty, Aluminum Propeller, Direct Drive

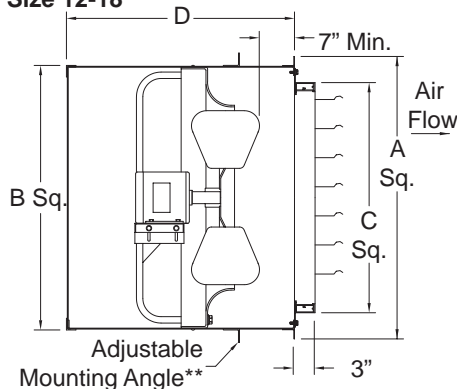
- **Description:** Fan shall be a wall mounted, direct driven, aluminum propeller exhaust or supply fan with integral housing, shutter, and inlet guard.
- **Certifications:** Fan shall be manufactured at an ISO 9001 certified facility. Fan shall be listed by Underwriters Laboratories (UL 705) and UL listed for Canada (cUL 705).
- **Construction:** Fan shall be of bolted and welded construction utilizing corrosion resistant fasteners. The motor shall be mounted on a 14 gauge steel mounting plate and power assembly. The power assembly shall be bolted to a minimum 14 gauge wall panel with continuously welded corners and an integral venturi. Fan shall be enclosed in minimum 18 gauge galvanized steel wall housing with factory installed shutter and inlet guard. Unit shall bear an engraved aluminum nameplate. Nameplate shall indicate design CFM and static pressure. Unit shall be shipped in ISTA Certified Transit Tested Packaging.
- **Coating:** All steel fan components shall be Lorenized™ with an electrostatically applied, baked polyester powder coating. Each component shall be subject to a five stage environmentally friendly wash system, followed by a 1.5 to 2.5 mil thick baked powder finish. Paint must exceed 1,000 hour salt spray under ASTM B117 test method.
- **Propeller:** Propeller shall have aluminum blades riveted to a painted steel hub. The hub shall be securely fastened to the motor shaft utilizing two setscrews. Propeller shall be balanced in accordance with AMCA Standard 204-05, Balance Quality and Vibration Levels for Fans.
- **Motor:** Motor shall be NEMA Design B with Class B insulation rated for continuous duty and furnished at the specified voltage, phase and enclosure.
- **Product:** Fan shall be type XPHD as manufactured by LOREN COOK COMPANY of Springfield, Missouri.



Models XPHD is furnished standard with UL 705 and CUL 705 listing (Power Ventilator) when furnished with factory supplied motor.

Also available in a supply model: XPHD-S.

Exhaust Size 12-18

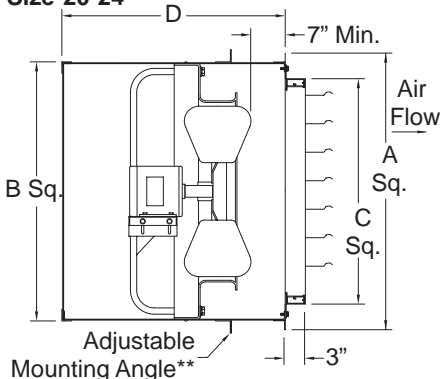


Dimensions (inches)

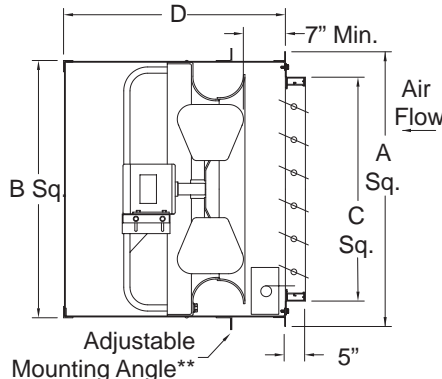
Size	A	B*	C	D*	Wall opening	Shipping weight (pounds)
12	19-1/2	17	14	17-3/4	17-1/4	76
14 ***	23-1/2	21	18	22-1/4	21-1/4	82
16	23-1/2	21	18	22-1/4	21-1/4	95
18 ***	27-1/2	25	22	23-1/4	25-1/4	120
20	27-1/2	25	22	23-1/4	25-1/4	139
24	33-1/2	31	27-1/2	27-1/4	31-1/4	151

Weights are estimated, including ODP motor. * B and D dimensions are to the outside of fasteners on wall housing. **Shipped loose for field mounting. *** Size not available in supply.

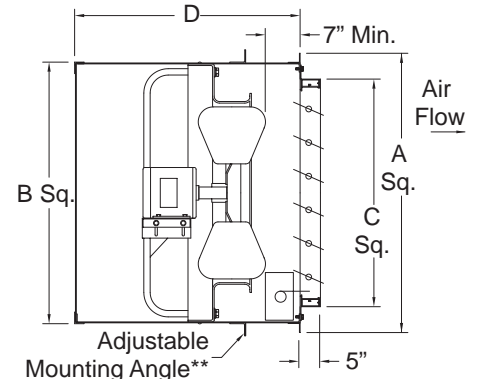
Exhaust Size 20-24



Supply Size 12-18



Supply Size 20-24





XLW / XMW

Wall Fan, Low or Medium Pressure, Steel Propeller, Belt Drive

- **Description:** Fan shall be a wall mounted, belt driven steel propeller exhaust fan.
- **Certifications:** Fan shall be manufactured at an ISO 9001 certified facility. Fan shall be listed by Underwriters Laboratories (UL 705) and UL listed for Canada (cUL 705). Fan shall bear the AMCA Certified Ratings Seal for Sound and Air Performance.
- **Construction:** The fan shall be of bolted and welded construction utilizing corrosion resistant fasteners. The motor, bearings and drives shall be mounted on a 14 gauge steel power assembly. The power assembly shall be bolted to a minimum 14 gauge wall panel with continuously welded corners and an integral venturi. Unit shall bear an engraved aluminum nameplate. Nameplate shall indicate design CFM, static pressure, and maximum fan RPM. Unit shall be shipped in ISTA Certified Transit Tested Packaging.
- **Coating:** All steel fan components shall be Lorenized™ with an electrostatically applied, baked polyester powder coating. Each component shall be subject to a five stage environmentally friendly wash system, followed by a minimum 2 mil thick baked powder finish. Paint must exceed 1,000 hour salt spray under ASTM B117 test method.
- **Propeller:** Propeller shall be a high-efficiency fabricated steel design with blades securely fastened to a minimum 7 gauge hub. The hub shall be keyed and locked to the fan shaft utilizing two setscrews. Propeller shall be balanced in accordance with AMCA Standard 204-05, Balance Quality and Vibration Levels for Fans.
- **Motor:** Motor shall be NEMA Design B with Class B insulation rated for continuous duty and furnished at the specified voltage, phase and enclosure.
- **Bearings:** Bearings shall be designed and tested specifically for use in air handling applications. Construction shall be heavy duty regreasable ball type in a cast iron pillow block housing selected for a minimum L50 life in excess of 200,000 hours at maximum cataloged operating speed.
- **Belts and Drives:** Belts shall be oil and heat resistant, static conducting. Drives shall be precision machined cast iron type, keyed and securely attached to the wheel and motor shafts. Drives shall be sized for 150% of the installed motor horsepower. The variable pitch motor drive must be factory set to the specified fan RPM.
- **Product:** Fan shall be the XLW / XMW as manufactured by LOREN COOK COMPANY of Springfield, Missouri.

Also available in a supply models: XLW-S / XMW-S.



LOREN COOK COMPANY certifies that the XLW / XMW shown herein are licensed to bear the AMCA Seal. The ratings shown are based on tests and procedures performed in accordance with AMCA Publication 211 and AMCA Publication 311 and comply with the requirements of the AMCA Certified Ratings Program.

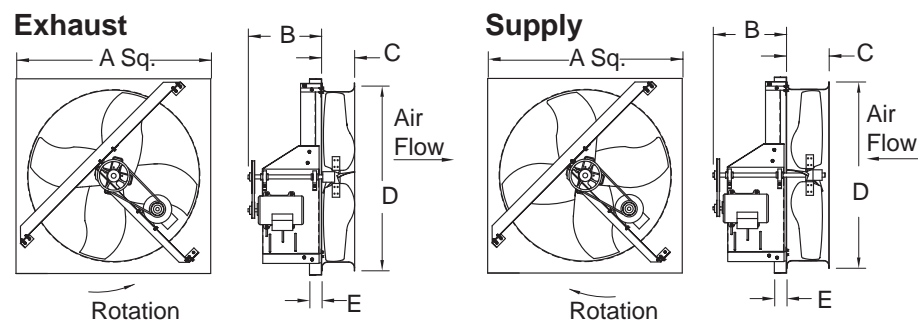


Models XLW / XMW are furnished standard with UL 705 and CUL 705 listing (Power Ventilator) when furnished with factory supplied motor.

Dimensions (inches)

Size	A	B	C	D	E	Wall opening *	Shipping weight (pounds)
20	24-3/16	14-5/16	6-5/8	23-3/8	2	25-7/16	121
24	30-3/16	14-5/16	6-5/8	27-3/8	3	30-7/16	128
30	36-3/16	14-5/16	6-3/4	33-3/8	3	36-7/16	152
36	42-3/16	14-5/16	6-3/4	39-3/8	3	42-7/16	184
42	48-3/16	18-1/16	8-1/16	46-3/8	3	48-7/16	245
48	54-3/16	18-1/16	8-1/16	52-3/8	3	54-7/16	282
54	60-3/16	18-1/16	9	58-3/8	3	60-7/16	337
60	66-3/16	18-1/16	9	64-3/8	3	66-7/16	375

Weight less motor. *See accessories for wall opening.





LOREN COOK COMPANY certifies that the XLWH / XMWH shown herein are licensed to bear the AMCA Seal. The ratings shown are based on tests and procedures performed in accordance with AMCA Publication 211 and AMCA Publication 311 and comply with the requirements of the AMCA Certified Ratings Program.



Models XLWH / XMWH are furnished standard with UL 705 and CUL 705 listing (Power Ventilator) when furnished with factory supplied motor.

XLWH / XMWH

Wall Fan, Heavy Duty, Low or Medium Pressure, Steel Propeller, Belt Drive

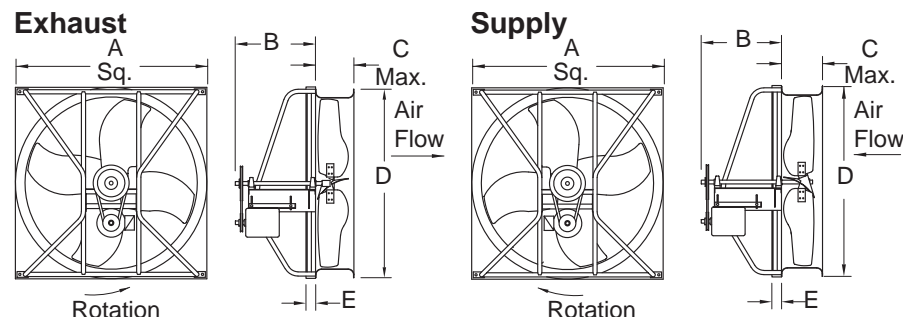
- **Description:** Fan shall be a wall mounted, belt driven, steel propeller exhaust fan.
- **Certifications:** Fan shall be manufactured at an ISO 9001 certified facility. Fan shall be listed by Underwriters Laboratories (UL 705) and UL listed for Canada (CUL 705). Fan shall bear the AMCA Certified Ratings Seal for Sound and Air Performance.
- **Construction:** The fan shall be of bolted and welded construction utilizing corrosion resistant fasteners. The motor, bearings and drives shall be mounted on a tubular steel power assembly. The power assembly shall be bolted to a minimum 14 gauge wall panel with continuously welded corners and an integral venturi. Unit shall bear an engraved aluminum nameplate. Nameplate shall indicate design CFM, static pressure and maximum fan RPM. Unit shall be shipped in ISTA Certified Transit Tested Packaging.
- **Coating:** All steel fan components shall be Lorenized™ with an electrostatically applied, baked polyester powder coating. Each component shall be subject to a five stage environmentally friendly wash system, followed by a 1.5 to 2.5 mil thick baked powder finish. Paint must exceed 1,000 hour salt spray under ASTM B117 test method.
- **Propeller:** Propeller shall be a high-efficiency fabricated steel design with blades securely fastened to a minimum 7 gauge hub. The hub shall be keyed and locked to the fan shaft utilizing two setscrews. Propeller shall be balanced in accordance with AMCA Standard 204-05, Balance Quality and Vibration Levels for Fans.
- **Motor:** Motor shall be NEMA Design B with Class B insulation rated for continuous duty and furnished at the specified voltage, phase and enclosure.
- **Bearings:** Bearings shall be designed and individually tested specifically for use in air handling applications. Construction shall be heavy duty regreasable ball type in a cast iron pillowblock housing selected for a minimum L50 life in excess of 200,000 hours at maximum cataloged operating speed.
- **Belts and Drives:** Belts shall be oil and heat resistant, static conducting. Drives shall be precision machined cast iron type, keyed and securely attached to the wheel and motor shafts. Drives shall be sized for 150% of the installed motor horsepower. The variable pitch motor drive must be factory set to the specified fan RPM.
- **Product:** Fan shall be type XLWH / XMWH as manufactured by LOREN COOK COMPANY of Springfield, Missouri.

Also available in a supply models: XLWH-S / XMWH-S.

Dimensions (inches)

Size	A	B	C	D	E	Wall opening*	Shipping weight (pounds)
20	24-3/16	19-1/16	6-5/8	23-3/8	2	24-7/16	136
24	30-3/16	19-1/16	6-5/8	27-3/8	3	30-7/16	146
30	36-3/16	19-1/16	6-3/4	33-3/8	3	36-7/16	171
36	42-3/16	19-1/16	7-1/4	39-3/8	3	42-7/16	208
42	48-3/16	20-11/16	8-1/16	46-3/8	3	48-7/16	272
48	54-3/16	26-5/16	8-1/16	52-3/8	3	54-7/16	344
54	60-3/16	26-5/16	9	58-3/8	3	60-7/16	419
60	66-3/16	26-5/16	9	64-3/8	3	66-7/16	462

Weight less motor. *See accessories for wall opening. Intake air velocities should be limited to 500 FPM to avoid ingress of airborne water.





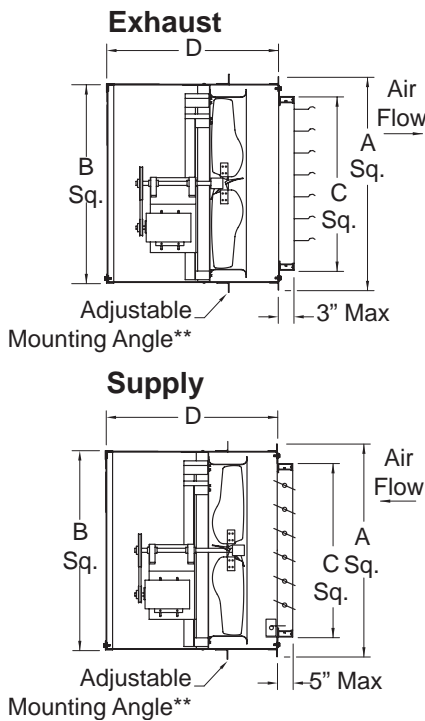
Models XLP / XLPH / XMP / XMPH are furnished standard with UL 705 and CUL 705 listing (Power Ventilator) when furnished with factory supplied motor.

XLP / XLPH / XMP / XMPH

Packaged Wall Fan, Standard or Heavy Duty, Low or Medium Pressure, Steel Propeller, Belt Drive

- **Description:** Fan shall be a wall mounted, belt driven, steel propeller exhaust fan with integral housing, shutter and inlet guard.
- **Certifications:** Fan shall be manufactured at an ISO 9001 certified facility. Fan shall be listed by Underwriters Laboratories (UL 705) and UL listed for Canada (CUL 705).
- **Construction:** The fan shall be of bolted and welded construction utilizing corrosion resistant fasteners. The motor, bearings and drives shall be mounted on a minimum 14 gauge steel power assembly. The power assembly shall be bolted to a minimum 14 gauge wall panel with continuously welded corners and an integral venturi. Fan shall be enclosed in minimum 18 gauge galvanized steel wall housing with factory installed shutter and inlet guard. Unit shall bear an engraved aluminum nameplate. Nameplate shall indicate design CFM, static pressure and maximum fan RPM. Unit shall be shipped in ISTA Certified Transit Tested Packaging.
- **Coating:** All steel fan components shall be Lorenized™ with an electrostatically applied, baked polyester powder coating. Each component shall be subject to a five stage environmentally friendly wash system, followed by a 1.5 to 2.5 mil thick baked powder finish. Paint must exceed 1,000 hour salt spray under ASTM B117 test method.
- **Propeller:** Propeller shall be a high-efficiency fabricated steel design with blades securely fastened to a minimum 7 gauge hub. The hub shall be keyed and locked to the fan shaft utilizing two setscrews. Propeller shall be balanced in accordance with AMCA Standard 204-05, Balance Quality and Vibration Levels for Fans.
- **Exhaust Shutter:** Shutter shall be heavy duty galvanized steel construction. Material thickness shall be minimum 20 gauge for frame and 28 gauge for blades. Blades shall have mechanically fastened vinyl edge seals.
- **Supply Shutter:** Shutter shall be heavy duty galvanized steel construction, utilizing center pivot blades and motorized actuator. Material thickness shall be minimum 16 gauge for frame and 20 gauge for blades.
- **Motor:** Motor shall be NEMA Design B with Class B insulation rated for continuous duty and furnished at the specified voltage, phase and enclosure.
- **Bearings:** Belts shall be oil and heat resistant, static conducting. Drives shall be precision machined cast iron type, keyed and securely attached to the wheel and motor shafts. Drives shall be sized for 150% of the installed motor horsepower. The variable pitch motor drive must be factory set to the specified fan RPM.
- **Belts and Drives:** Belts shall be oil and heat resistant, non-static type. Drives shall be precision machined cast iron type, keyed and securely attached to the wheel and motor shafts. Drives shall be sized for 150 percent of the installed motor horsepower. The variable pitch motor drive must be factory set to the specified fan RPM.
- **Product:** Fan shall be type XLP / XLPH / XMP / XMPH as manufactured by LOREN COOK COMPANY of Springfield, Missouri.

Also available in a supply models: XLP-S / XLPH-S / XMP-S / XMPH-S.



Dimensions (inches)

Size	A	B*	C	D*	Wall opening	Wall housing gauge	Shipping weight (pounds)			
							XLP / XMP	XLP-S / XMP-S	XLPH / XMPH	XLPH-S / XMPH-S
20	27-1/2	25	22	37-3/8	25-1/4	18 GA.	180	183	195	198
24	33-1/2	31	27-1/2	37-3/8	31-1/4	18 GA.	222	226	241	244
30	39-1/2	37	33-1/2	38	37-1/4	18 GA.	276	280	295	299
36	45-1/2	43	39-1/2	39-1/2	43-1/4	18 GA.	337	348	362	367
42	51-1/2	49-1/16	45-1/2	41	49-1/4	16 GA.	455	460	482	487
48	57-1/2	55-1/16	51-1/2	51	55-1/4	16 GA.	533	540	596	603
54	63-1/2	61-1/8	57-1/2	48	61-1/2	14 GA.	638	646	721	728
60	69-1/2	67-1/8	63-1/2	48	67-1/2	14 GA.	705	716	795	803

Weight less motor. *B and D dimension is to outside of fasteners on wall housing. **Shipped loose for field mounting. Intake air velocities should be limited to 500 FPM to avoid ingress of airborne water.



AWD

Wall Fan, Cast Aluminum Propeller, Direct Drive

- **Description:** Fan shall be a wall mounted, direct driven, aluminum propeller exhaust fan.
- **Certifications:** Fan shall be manufactured at an ISO 9001 certified facility. Fan shall be listed by Underwriters Laboratories (UL 705) and UL listed for Canada (cUL 705). Fan shall bear the AMCA Certified Ratings Seal for Sound and Air Performance.
- **Construction:** Fan shall be of bolted and welded construction utilizing corrosion resistant fasteners. The motor shall be mounted on a 14 gauge steel mounting plate and power assembly. The power assembly shall be bolted to a minimum 14 gauge steel wall panel with continuously welded corners and an integral venturi. Unit shall bear an engraved aluminum nameplate. Nameplate shall indicate design CFM and static pressure. Unit shall be shipped in ISTA Certified Transit Tested Packaging.
- **Coating:** All steel fan components shall be Lorenized™ with an electrostatically applied, baked polyester powder coating. Each component shall be subject to a five stage environmentally friendly wash system, followed by a 1.5 to 2.5 mil thick baked powder finish. Paint must exceed 1,000 hours salt spray under ASTM B117 test method.
- **Propeller:** Propeller shall be cast aluminum airfoil design with cast aluminum hub. The blade pitch shall be factory set and locked using set screws and roll pin. The hub shall be keyed and locked to the shaft utilizing two set screws or a taper lock bushing. Propeller shall be balanced in accordance with AMCA Standard 204-05, Balance Quality and Vibration Levels for Fans.
- **Motor:** Motor shall be NEMA Design B with Class B insulation rated for continuous duty and furnished at the specified voltage, phase and enclosure.
- **Product:** Fan shall be type AWD as manufactured by LOREN COOK COMPANY of Springfield, Missouri.



LOREN COOK COMPANY certifies that the AWD shown herein is licensed to bear the AMCA Seal. The ratings shown are based on tests and procedures performed in accordance with AMCA Publication 211 and AMCA Publication 311 and comply with the requirements of the AMCA Certified Ratings Program.



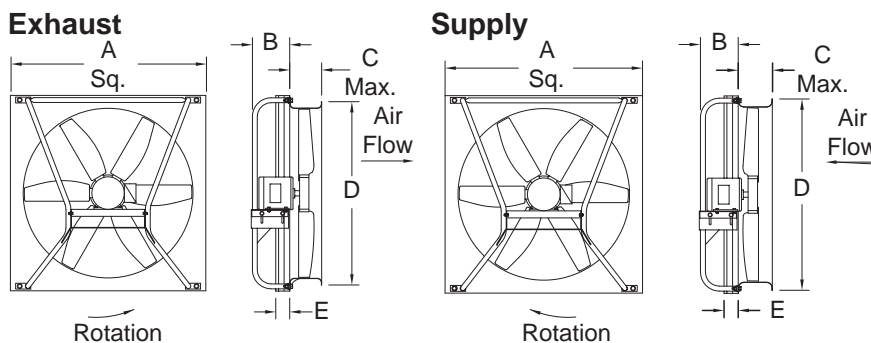
Model AWD is furnished standard with UL 705 listing (Power Ventilator/ZACT) and CUL 705 listing (Power Ventilator) when furnished with factory supplied motor.

Also available in a supply model: AWD-S.

Dimensions (inches)

Size	A	B	C	D	E	Wall opening *	Shipping weight	
							AWD	AWD-S
12	16-3/16	15-3/8	3-1/4	15-7/8	2	16-7/16	69	72
16	20-3/16	14-1/8	4-1/2	19-7/8	2	20-7/16	90	93
20	24-3/16	14-1/8	6-5/8	23-3/8	2	24-7/16	109	112
24	30-3/16	14-5/8	6-5/8	27-3/8	2	30-7/16	146	149
30	36-3/16	14-5/8	6-3/4	33-3/8	3	36-7/16	204	208
36	42-3/16	22	7-1/4	39-3/8	3	42-7/16	307	312
42	48-3/16	24	8-1/16	46-3/8	3	48-7/16	428	433
48	54-3/16	24	8-1/16	52-3/8	3	54-7/16	466	473

Weight including ODP motor. *See accessories for wall opening.





AWB

Wall Fan, Cast Aluminum Propeller, Belt Drive

- **Description:** Fan shall be a wall mounted, belt driven, cast aluminum propeller exhaust fan.
- **Certifications:** Fan shall be manufactured at an ISO 9001 certified facility. Fan shall be listed by Underwriters Laboratories (UL 705) and UL listed for Canada (cUL 705). Fan shall bear the AMCA Certified Ratings Seal for Sound and Air Performance.
- **Construction:** Fan shall be of bolted and welded construction utilizing corrosion resistant fasteners. The motor, bearings and drives shall be mounted on a 14 gauge steel power assembly. The power assembly shall be bolted to a minimum 14 gauge steel wall panel with continuously welded corners and an integral venturi. Unit shall bear an engraved aluminum nameplate. Nameplate shall indicate design CFM, static pressure and maximum fan RPM. Unit shall be shipped in ISTA Certified Transit Tested Packaging.
- **Coating:** All steel fan components shall be Lorenized™ with an electrostatically applied, baked polyester powder coating. Each component shall be subject to a five stage environmentally friendly wash system, followed by a 1.5 to 2.5 mil thick baked powder finish. Paint must exceed 1,000 hours salt spray under ASTM B117 test method.
- **Propeller:** Propeller shall be cast aluminum airfoil design with cast aluminum hub. The blade pitch shall be factory set and locked using set screws and a roll pin. The hub shall be keyed and locked to the shaft utilizing two set screws or a taper lock bushing. Propeller shall be balanced in accordance with AMCA Standard 204-05, Balance Quality and Vibration Levels for Fans.
- **Motor:** Motor shall be NEMA Design B with Class B insulation rated for continuous duty and furnished at the specified voltage, phase and enclosure.
- **Bearings:** Bearings shall be designed and tested specifically for use in air handling applications. Construction shall be heavy duty regreasable ball type in a cast iron pillow block housing selected for a minimum L50 life in excess of 200,000 hours at maximum cataloged operating speed.
- **Belts and Drives:** Belts and Drives: Belts shall be oil and heat resistant, static conducting. Drives shall be precision machined cast iron type, keyed and securely attached to the wheel and motor shafts. Drives shall be sized for 150% of the installed motor horsepower. The variable pitch motor drive must be factory set to the specified fan RPM.
- **Product:** Fan shall be type AWB as manufactured by LOREN COOK COMPANY of Springfield, Missouri.



LOREN COOK COMPANY certifies that the AWB shown herein is licensed to bear the AMCA Seal. The ratings shown are based on tests and procedures performed in accordance with AMCA Publication 211 and AMCA Publication 311 and comply with the requirements of the AMCA Certified Ratings Program.



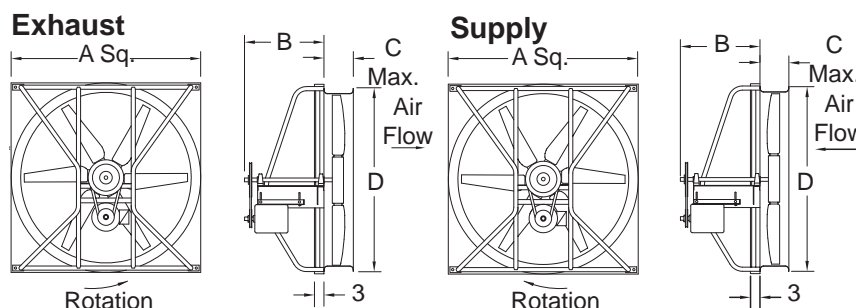
Model AWB is furnished standard with UL 705 listing (Power Ventilator/ZACT) and CUL 705 listing (Power Ventilator) when furnished with factory supplied motor.

Also available in a supply model: AWB-S.

Dimensions (inches)

Size	A	B	C	D	Wall opening *	Shipping weight (pounds)
24	30-3/16	19-1/16	6-5/8	27 3/8	30-7/16	140
30	36-3/16	19-1/16	6-3/4	33 3/8	36-7/16	175
36	42-3/16	19-1/16	7-1/4	39 3/8	42-7/16	210
42	48-3/16	20-11/16	8-1/16	46 3/8	48-7/16	270
48	54-3/16	26-5/16	8-1/16	52 3/8	54-7/16	340

*See accessories for wall opening.





APD

Packaged Wall Fan, Cast Aluminum Propeller, Direct Drive

- **Description:** Fan shall be a wall mounted, direct drive cast aluminum airfoil, propeller fan with integral housing, shutter and inlet / outlet guard.
- **Certifications:** Fan shall be manufactured at an ISO 9001 certified facility. Fan shall be listed by Underwriters Laboratories (UL 705) and UL listed for Canada (cUL 705). Fan shall bear the AMCA Certified Ratings Seal for Air Performance.
- **Construction:** Fan shall be of bolted and welded construction utilizing corrosion resistant fasteners. The motor shall be mounted on a minimum 14 gauge steel mounting plate and power assembly. The power assembly shall be bolted to a minimum 14 gauge wall panel with continuously welded corners and an integral venturi. Fan shall be enclosed in a minimum 18 gauge galvanized steel wall housing with factory installed shutter and inlet guard. Unit shall bear an engraved aluminum nameplate. Nameplate shall indicate design CFM and static pressure. Unit shall be shipped in ISTA Certified Transit Tested Packaging.
- **Coating:** All steel fan components shall be Lorenized™ with an electrostatically applied, baked polyester powder coating. Each component shall be subject to a five stage environmentally friendly wash system, followed by a 1.5 to 2.5 mil thick baked powder finish. Paint must exceed 1,000 hour salt spray under ASTM B117 test method.
- **Propeller:** Propeller shall be cast aluminum airfoil design with cast aluminum hub. The blade pitch shall be factory set and locked using set screws and roll pin. The hub shall be keyed and locked to the shaft utilizing two set screws or a taper lock bushing. Propeller shall be balanced in accordance with AMCA Standard 204-05, Balance Quality and Vibration Levels for Fans.
- **Motor:** Motor shall be NEMA Design B with Class B insulation rated for continuous duty and furnished at the specified voltage, phase and enclosure.
- **Product:** Fan shall be type APD as manufactured by LOREN COOK COMPANY of Springfield, Missouri.



LOREN COOK COMPANY certifies that the APD shown herein is licensed to bear the AMCA Seal. The ratings shown are based on tests and procedures performed in accordance with AMCA Publication 211 and comply with the requirements of the AMCA Certified Ratings Program.



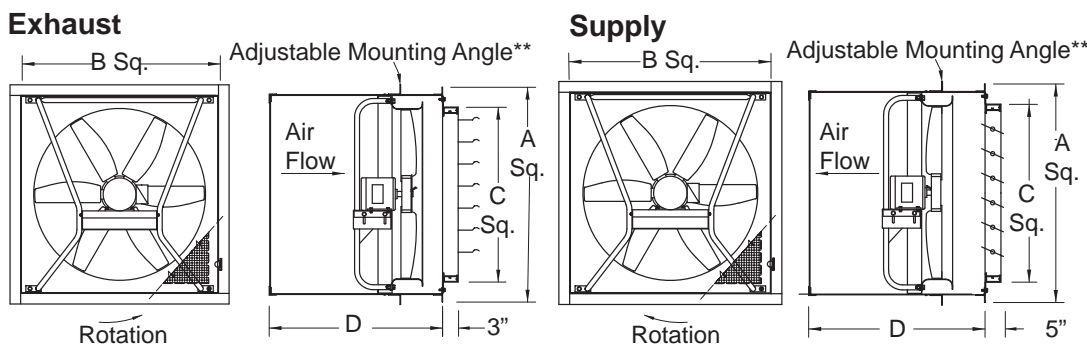
Models APD is furnished standard with UL 705 listing (Power Ventilator/ZACT) and CUL 705 listing (Power Ventilator) when furnished with factory supplied motor.

Also available in a supply model: APD-S.

Dimensions (inches)

Size	A	B*	C	D*	Wall opening	Shipping weight (pounds)	
						Exhaust	Supply
16	23-1/2	21	18	22-1/8	21-1/4	110	113
20	27-1/2	25	22	27-1/4	25-1/4	159	159
24	33-1/2	31	27-1/2	27-1/4	31-1/4	220	223
30	39-1/2	37	33-1/2	24-1/2	37-1/4	273	277
36	45-1/2	43	39-1/2	28-1/2	43-1/4	393	398

Weight including ODP motor. * B and D dimensions are to the outside of fasteners on wall housing.
 **Shipped loose for field mounting. Intake air velocities should be limited to 500 FPM to avoid ingress of airborne water.





APB

Packaged Wall Fan, Cast Aluminum Propeller, Belt Drive

- **Description:** Fan shall be a wall mounted, belt drive cast aluminum airfoil, propeller fan with integral housing, shutter and inlet guard.
- **Certifications:** Fan shall be manufactured at an ISO 9001 certified facility. Fan shall be listed by Underwriters Laboratories (UL 705) and UL listed for Canada (cUL 705). Fan shall bear the AMCA Certified Ratings Seal for Air Performance.
- **Construction:** Fan shall be of bolted and welded construction utilizing corrosion resistant fasteners. The motor, bearings and drives shall be mounted on a minimum 14 gauge steel power assembly. The power assembly shall be bolted to a minimum 14 gauge wall panel with continuously welded corners and an integral venturi. Fan shall be enclosed in a minimum 18 gauge galvanized steel wall housing with factory installed shutter and inlet guard. Unit shall bear an engraved aluminum nameplate. Nameplate shall indicate design CFM, static pressure and maximum fan RPM. Unit shall be shipped in ISTA Certified Transit Tested Packaging.
- **Coating:** All steel fan components shall be Lorenized™ with an electrostatically applied, baked polyester powder coating. Each component shall be subject to a five stage environmentally friendly wash system, followed by a 1.5 to 2.5 mil thick baked powder finish. Paint must exceed 1,000 hour salt spray under ASTM B117 test method.
- **Propeller:** Propeller shall be cast aluminum airfoil design with cast aluminum hub. The blade pitch shall be factory set and locked using set screws and roll pin. The hub shall be keyed and locked to the shaft utilizing two set screws or a taper lock bushing. Propeller shall be balanced in accordance with AMCA Standard 204-05, Balance Quality and Vibration Levels for Fans.
- **Motor:** Motor shall be NEMA Design B with Class B insulation rated for continuous duty and furnished at the specified voltage, phase and enclosure.
- **Bearings:** Bearings shall be designed and individually tested specifically for use in air handling applications. Construction shall be heavy duty regreasable ball type in a cast iron pillow block housing selected for a minimum L50 life in excess of 200,000 hours at maximum cataloged operating speed.
- **Belts and Drives:** Belts shall be oil and heat resistant, static conducting. Drives shall be precision machined cast iron type, keyed and securely attached to the wheel and motor shafts. Drives shall be sized for 150% of the installed motor horsepower. The variable pitch motor drive must be factory set to the specified fan RPM.
- **Product:** Fan shall be type APB as manufactured by LOREN COOK COMPANY of Springfield, Missouri.

Also available in a supply model: APB-S



LOREN COOK COMPANY certifies that the APB shown herein is licensed to bear the AMCA Seal. The ratings shown are based on tests and procedures performed in accordance with AMCA Publication 211 and comply with the requirements of the AMCA Certified Ratings Program.

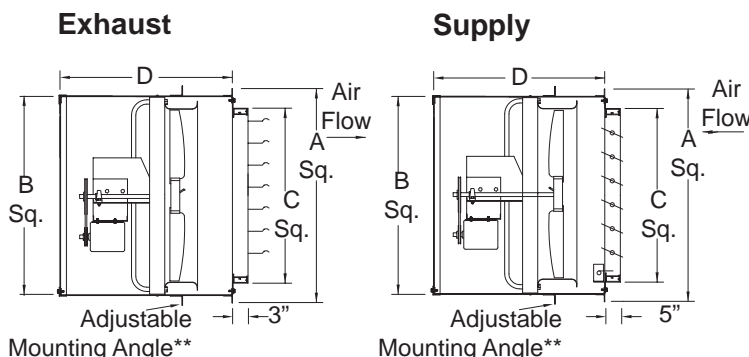


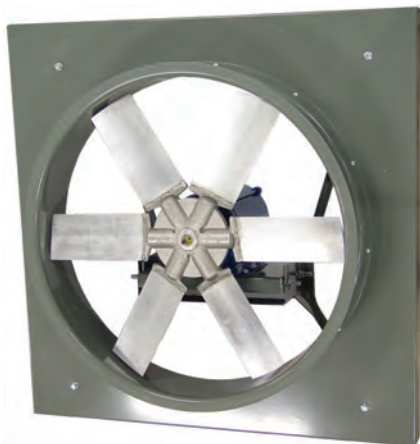
Model APB is furnished standard with UL 705 listing (Power Ventilator/ZACT) and CUL 705 listing (Power Ventilator) when furnished with factory supplied motor.

Dimensions (inches)

Size	A	B*	C	D*	Wall opening	Wall housing gauge	Shipping weight (pounds)	
							Exhaust	Supply
24	33-1/2	31	27-1/2	37-3/8	31-1/4	18 GA.	220	223
30	39-1/2	37	33-1/2	38	37-1/4	18 GA.	275	279
36	45-1/2	43	39-1/2	39-1/2	43-1/4	18 GA.	345	350
42	51-1/2	49-1/16	45-1/2	40-7/8	49-5/16	16 GA.	440	445
48	57-1/2	55-1/16	51-1/2	50-7/8	55-5/16	16 GA.	550	557

*B & D dimensions are to the outside of fasteners on wall housing. **Shipped loose for field mounting. Intake air velocities should be limited to 500 FPM to avoid ingress of airborne water.





Model EWD is furnished standard with UL 705 listing (Power Ventilator/ZACT) and CUL 705 listing (Power Ventilator) when furnished with factory supplied motor.

EWD

Wall Fan, Extruded Aluminum Propeller, Direct Drive

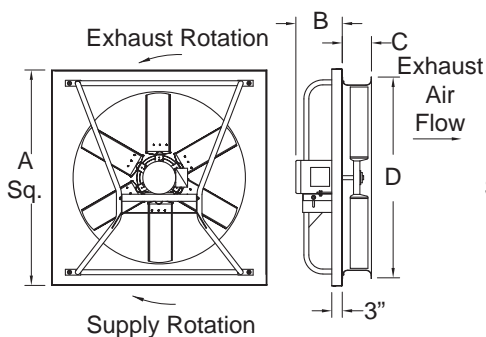
- **Description:** Fan shall be a wall mounted, direct drive, extruded aluminum propeller exhaust fan.
- **Certifications:** Fan shall be manufactured at an ISO 9001 certified facility. Fan shall be listed by Underwriters Laboratories (UL 705) and UL listed for Canada (cUL 705).
- **Construction:** Fan shall be of bolted and welded construction utilizing corrosion resistant fasteners. The motor shall be mounted on a 14 gauge steel power assembly. The power assembly shall be bolted to a minimum 14 gauge steel wall panel with continuously welded corners and an integral venturi. Unit shall bear an engraved aluminum nameplate. Nameplate shall indicate design CFM and static pressure. Unit shall be shipped in ISTA Certified Transit Tested Packaging.
- **Coating:** All steel fan components shall be Lorenized™ with an electrostatically applied, baked polyester powder coating. Each component shall be subject to a five stage environmentally friendly wash system, followed by a 1.5 to 2.5 mil thick baked powder finish. Paint must exceed 1,000 hour salt spray under ASTM B117 test method.
- **Propeller:** Propeller shall be extruded aluminum airfoil design with cast aluminum hub. The blade pitch shall be factory set and locked using set screws and roll pin. The hub shall be keyed and locked to the shaft utilizing two set screws or a taper lock bushing. Propeller shall be balanced in accordance with AMCA Standard 204-05, Balance Quality and Vibration Levels for Fans.
- **Motor:** Motor shall be NEMA Design B with Class B insulation rated for continuous duty and furnished at the specified voltage, phase and enclosure.
- **Product:** Fan shall be type EWD as manufactured by LOREN COOK COMPANY of Springfield, Missouri.

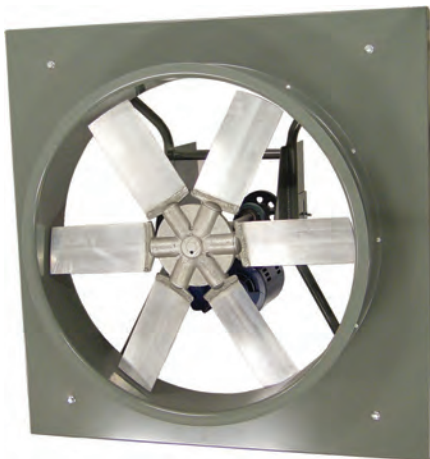
Also available in a supply model: EWD-S.

Dimensions (inches)

Size	A	B	C	D	Wall opening *	Shipping weight (pounds)
20	32-3/16	14-1/8	6-5/8	23-3/8	32-7/16	150
24	36-3/16	14-5/8	6-5/8	27-3/8	36-7/16	192
30	42-3/16	14-5/8	6-3/4	33-3/8	42-7/16	219
36	48-3/16	22	7-1/4	39-3/8	48-7/16	274
42	54-3/16	24	8-1/16	46-3/8	54-7/16	357
48	60-3/16	24	8-1/16	52-3/8	60-7/16	411
54	66-3/16	27-3/4	9	58-3/8	66-7/16	465

Weight including ODP motor. *See accessories for wall opening.





LOREN COOK COMPANY certifies that the EWB shown herein is licensed to bear the AMCA Seal. The ratings shown are based on tests and procedures performed in accordance with AMCA Publication 211 and AMCA Publication 311 and comply with the requirements of the AMCA Certified Ratings Program.



Model EWB is furnished standard with UL 705 listing (Power Ventilator/ZACT) and CUL 705 listing (Power Ventilator) when furnished with factory supplied motor.

EWB

Wall Fan Extruded Aluminum Propeller Belt Drive

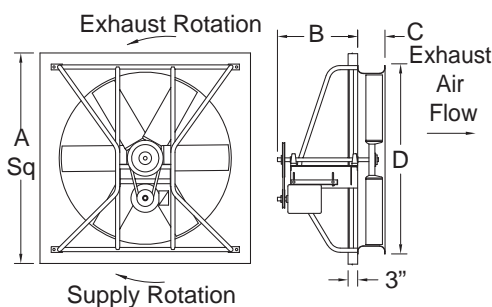
- **Description:** Fan shall be a wall mounted, belt drive, extruded aluminum airfoil, propeller exhaust fan.
- **Certifications:** Fan shall be manufactured at an ISO 9001 certified facility. Fan shall be listed by Underwriters Laboratories (UL 705) and UL listed for Canada (cUL 705). Fan shall bear the AMCA Certified Ratings Seal for Sound and Air Performance.
- **Construction:** Fan shall be of bolted and welded construction utilizing corrosion resistant fasteners. The motor, bearings and drives shall be mounted on a 14 gauge steel power assembly. The power assembly shall be bolted to a minimum 14 gauge steel wall panel with continuously welded corners and an integral venturi. Unit shall bear an engraved aluminum nameplate. Nameplate shall indicate design CFM, static pressure and maximum fan RPM. Unit shall be shipped in ISTA Certified Transit Tested Packaging.
- **Coating:** All ungalvanized steel fan components shall be Lorenized™ with an electrostatically applied, baked polyester powder coating. Each component shall be subject to a five stage environmentally friendly wash system, followed by a 1.5 to 2.5 mil thick baked powder finish. Paint must exceed 1,000 hour salt spray under ASTM B117 test method.
- **Propeller:** Propeller shall be extruded aluminum airfoil design with cast aluminum hub. The blade pitch shall be factory set and locked using set screws and roll pin. The hub shall be keyed and locked to the shaft utilizing two set screws or a taper lock bushing. Propeller shall be balanced in accordance with AMCA Standard 204-05, Balance Quality and Vibration Levels for Fans.
- **Motor:** Motor shall be NEMA Design B with Class B insulation rated for continuous duty and furnished at the specified voltage, phase and enclosure.
- **Bearings:** Bearings shall be designed and individually tested specifically for use in air handling applications. Construction shall be heavy duty regreasable ball type in a cast iron pillowblock housing selected for a minimum L50 life in excess of 200,000 hours at maximum cataloged operating speed.
- **Belts and Drives:** Belts shall be oil and heat resistant, static conducting. Drives shall be precision machined cast iron type, keyed and securely attached to the wheel and motor shafts. Drives shall be sized for 150% of the installed motor horsepower. The variable pitch motor drive must be factory set to the specified fan RPM.
- **Product -** Fan shall be type EWB as manufactured by LOREN COOK COMPANY of Springfield, Missouri.

Also available in a supply model: EWB-S.

Dimensions (inches)

Size	A	B	C	D	Wall opening*	Shipping weight (pounds)
24	36-3/16	20	6-5/8	27 3/8	36-7/16	150
30	42-3/16	21	6-3/4	33 3/8	42-7/16	185
36	48-3/16	21	7-1/4	39 3/8	48-7/16	220
42	54-3/16	21	8-1/16	46 3/8	54-7/16	285
48	60-3/16	24	8-1/16	52 3/8	60-7/16	355
54	66-3/16	27	8-1/16	58 3/8	66-7/16	420
60	72-3/16	27	8-1/16	64 3/8	72-7/16	510
72	84-3/16	27	9-1/4	76 3/8	84-7/16	590

Weight less motor. *See accessories for wall opening.





Model EPD is furnished standard with UL 705 listing (Power Ventilator/ZACT) and CUL 705 listing (Power Ventilator) when furnished with factory supplied motor.

EPD

Packaged Wall Fan, Extruded Aluminum Propeller, Direct Drive

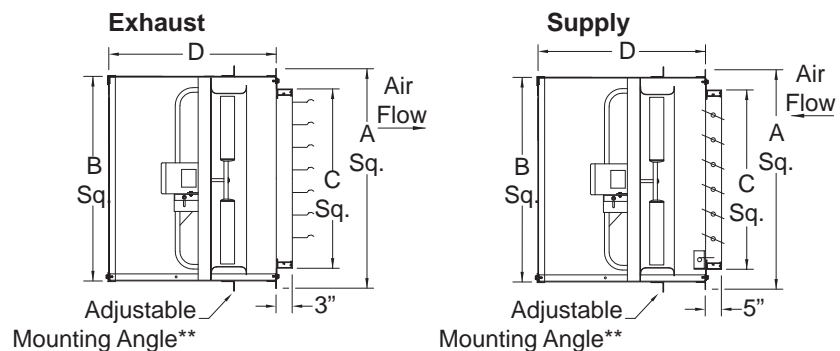
- **Description:** Fan shall be a wall mounted, direct drive, extruded aluminum airfoil propeller fan with integral housing, shutter and inlet guard.
- **Certifications:** Fan shall be manufactured at an ISO 9001 certified facility. Fan shall be listed by Underwriters Laboratories (UL 705) and UL listed for Canada (cUL 705).
- **Construction:** Fan shall be of bolted and welded construction utilizing corrosion resistant fasteners. The motor, bearings and drives shall be mounted on a 14 gauge steel power assembly. The power assembly shall be bolted to a minimum 14 gauge steel wall panel with continuously welded corners and an integral venturi. Fan shall be enclosed in a minimum 18 gauge galvanized steel wall housing with factory installed shutter and inlet guard. Unit shall bear an engraved aluminum nameplate. Nameplate shall indicate design CFM and static pressure. Unit shall be shipped in ISTA Certified Transit Tested Packaging.
- **Coating:** All steel fan components shall be Lorenized™ with an electrostatically applied, baked polyester powder coating. Each component shall be subject to a five stage environmentally friendly wash system, followed by a 1.5 to 2.5 mil thick baked powder finish. Paint must exceed 1,000 hour salt spray under ASTM B117 test method.
- **Propeller:** Propeller shall be extruded aluminum airfoil design with cast aluminum hub. The blade pitch shall be factory set and locked using set screws and roll pin. The hub shall be keyed and locked to the shaft utilizing two set screws or a taper lock bushing. Propeller shall be balanced in accordance with AMCA Standard 204-05, Balance Quality and Vibration Levels for Fans.
- **Motor:** Motor shall be NEMA Design B with Class B insulation rated for continuous duty and furnished at the specified voltage, phase and enclosure.
- **Product:** Fan shall be type EPD as manufactured by LOREN COOK COMPANY of Springfield, Missouri.

Also available in a supply model: EPD-S.

Dimensions (inches)

Size	A	B*	C	D*	Wall opening	Shipping weight (pounds)
24	39-1/2	37	33-1/2	24-1/2	37-1/4	282
30	45-1/2	43	39-1/2	28-1/2	43-1/4	346
36	51-1/2	49-1/16	45-1/2	34	49-1/4	457
42	57-1/2	55-1/16	51-1/2	40	55-1/4	598
48	63-1/2	61-1/8	57-1/2	40-1/2	61-3/8	699
54	69-1/2	67-1/8	63-1/2	45	67-3/8	810

Weight including ODP motor. *B & D dimensions are to outside of fasteners on wall housing. **Shipped loose for field mounting. Intake air velocities should be limited to 500 FPM to avoid ingress of airborne water on wall housing.





Model EPB is furnished standard with UL 705 listing (Power Ventilator/ZACT) and CUL 705 listing (Power Ventilator) when furnished with factory supplied motor.

EPB

Packaged Wall Fan, Extruded Aluminum Propeller, Belt Drive

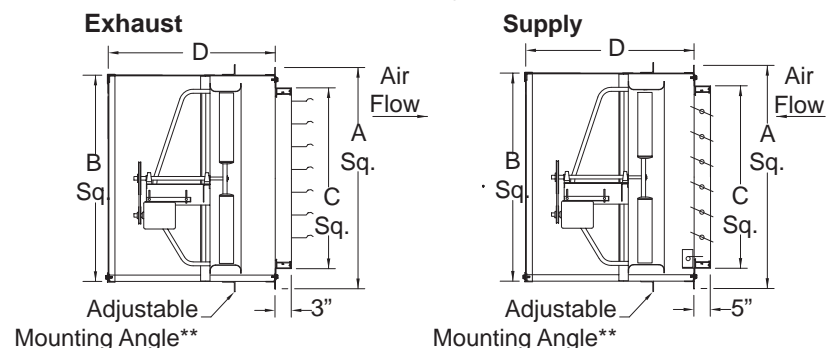
- **Description:** Fan shall be a wall mounted, belt driven, extruded aluminum, propeller exhaust or supply fan.
- **Certifications:** Fan shall be manufactured at an ISO 9001 certified facility. Fan shall be listed by Underwriters Laboratories (UL 705) and UL listed for Canada (cUL 705).
- **Construction:** Fan shall be of bolted and welded construction utilizing corrosion resistant fasteners. The motor, bearings and drives shall be mounted on a 14 gauge steel power assembly. The power assembly shall be bolted to a minimum 14 gauge steel wall panel with continuously welded corners and an integral venturi. Unit shall bear an engraved aluminum nameplate. Nameplate shall indicate design CFM, static pressure and maximum fan RPM. Unit shall be shipped in ISTA Certified Transit Tested Packaging.
- **Coating:** All ungalvanized steel fan components shall be Lorenized™ with an electrostatically applied, baked polyester powder coating. Each component shall be subject to a five stage environmentally friendly wash system, followed by a 1.5 to 2.5 mil thick baked powder finish. Paint must exceed 1,000 hour salt spray under ASTM B117 test method.
- **Propeller:** Propeller shall be extruded aluminum airfoil design with cast aluminum hub. The blade pitch shall be factory set and locked using set screws and roll pin. The hub shall be keyed and locked to the shaft utilizing two set screws or a taper lock bushing. Propeller shall be balanced in accordance with AMCA Standard 204-05, Balance Quality and Vibration Levels for Fans.
- **Motor:** Motor shall be heavy duty type with permanently lubricated sealed ball bearings, and furnished at the specified voltage, phase and enclosure.
- **Bearings:** Bearings shall be designed and individually tested specifically for use in air handling applications. Construction shall be heavy duty regreasable ball type in a cast iron pillowblock housing selected for a minimum L50 life in excess of 200,000 hours at maximum cataloged operating speed.
- **Belts and Drives:** Belts shall be oil and heat resistant, static conducting. Drives shall be precision machined cast iron type, keyed and securely attached to the wheel and motor shafts. Drives shall be sized for 150% of the installed motor horsepower. The variable pitch motor drive must be factory set to the specified fan RPM.
- **Product:** Fan shall be type EPB as manufactured by LOREN COOK COMPANY of Springfield, Missouri.

Also available in a supply model: EPB-S.

Dimensions (inches)

Size	A	B*	C	D*	Wall opening	Housing gauge	Shipping weight (pounds)
24	39-1/2	37	33-1/2	38	37-1/4	18 GA.	297
30	45-1/2	43	39-1/2	39-1/2	43-1/4	18 GA.	367
36	51-1/2	49-1/16	45-1/2	41	49-1/4	16 GA.	453
42	57-1/2	55-1/16	51-1/2	51	55-1/4	16 GA.	564
48	63-1/2	61-1/8	57-1/2	48	61-3/8	14 GA.	698
54	69-1/2	67-1/8	63-1/2	48	67-3/8	14 GA.	782
60	75-1/2	73-1/8	69-1/2	48	73-3/8	14 GA.	880
72	87-1/2	85-1/8	81-1/2	51	85-3/8	14 GA.	1090

*B & D dimensions are to outside of fasteners on wall housing. **Shipped loose for field mounting. Intake air velocities should be limited to 500 FPM to avoid ingress of airborne water.



Typical Wall Installations

1. Exhaust fan with OSHA wire guard & shutter in a steel structure with corrugated siding

An installer provides a sleeve of suitable material to support the fan at a correct distance from the shutter. The minimum distance is the A dimension.

2. Supply fan with wall collar, OSHA wire guard, motorized supply shutter & weather hood

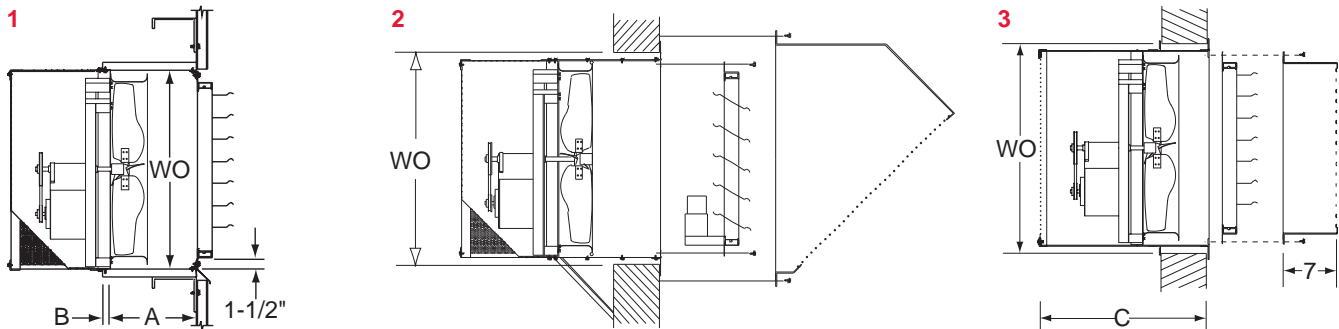
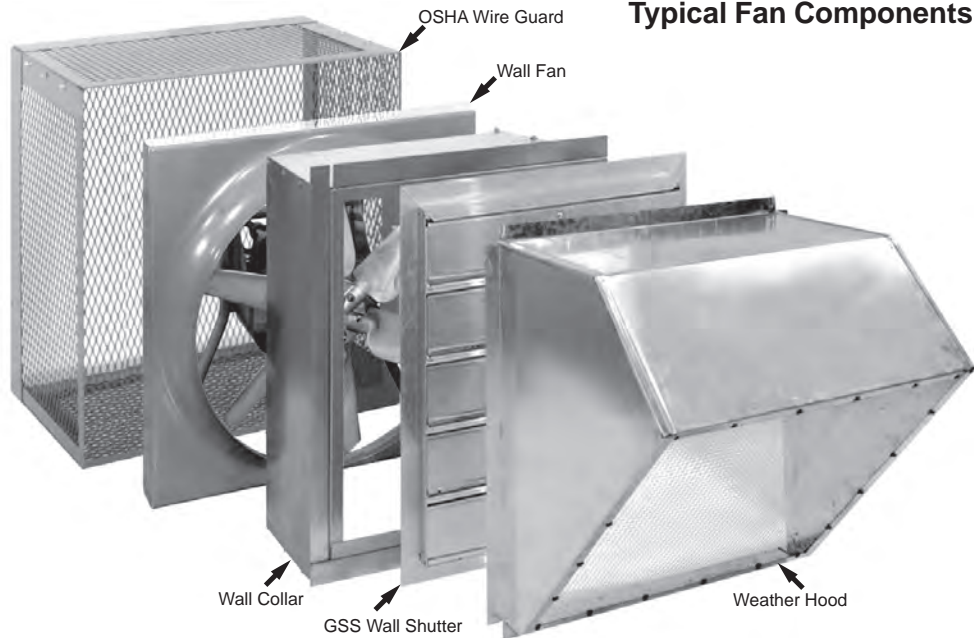
An installer provides suitable fasteners to support the fan. Fasteners should be placed on 6 inch to 10 inch centers on the perimeter of the wall collar. Wall collar should be caulked to the exterior of the wall. The weather hood should be securely fastened and

sealed to the wall. Fans with motors in excess of 80 lbs. should be additionally supported by hanging rods or supports placed underneath the fan. Intake velocities greater than 500 FPM may carry airborne mist into the space.

3. Exhaust Packaged Fan in a masonry wall with shutter guard

An installer provides suitable fasteners (Hex bolts or Lag screws) to support the fan. It is recommended that 5/16 inch minimum bolts on 6 inch to 10 inch centers be used on the perimeter of the housing. The mounting flange should be caulked to the exterior of the wall. Fans with motors in excess of 80 lbs. should be additionally supported by hanging rods or supports placed underneath the fan.

Typical Fan Components



Standard fan	Size				A	B	C		WO (Wall Opening)	
	XWD / XWHD	XLW(H) / XMW(H)	AWD / AWB	EWD / EWB			Direct	Belt	Standard fan	Wire guard
Pac Fan	XPD / XPHD	XLP(H) / XMP(H)	APD / APB	EPD / EPB						
	8	-	-	-	11	1	13-5/8	-	12-7/16	13-1/4
	10-12	-	12	-	12	1	17-5/8	-	16-7/16	17-1/4
	14-16	-	16	-	12	1	20	-	20-7/16	21-1/4
	18-20	-	20	-	13	1	22	-	24-7/16	25-1/4
	24	-	-	-	16	1-1/2	24-3/8	-	30-7/16	31-5/16
	-	20	-	-	15	1	-	32-1/2	24-7/16	25-1/4
	-	24	24	-	16	1-1/2	24-3/8	34-1/4	30-7/16	31-5/16
	-	30	30	24	16	1-1/2	28-3/8	38	36-7/16	37-5/16
	-	36	36	30	17	1-1/2	33-5/8	39-1/2	42-7/16	43-5/16
	-	42	42	36	17	1-1/2	39-5/8	40-3/4	48-7/16	49-3/8
	-	48	48	42	17	1-1/2	40-1/8	50-3/4	54-7/16	55-3/8
	-	54	-	48	17	1-1/2	44-3/4	61-1/2	60-7/16	61-7/16
	-	60	-	54	17	1-1/2	-	67-1/2	66-7/16	67-7/16
	-	-	-	60	17	1-1/2	-	73-1/2	72-7/16	73-7/16
	-	-	-	72	17	1-1/2	-	85-1/2	84-7/16	85-7/16

Disconnect Switches

- NEMA 1: Indoor general purpose.
- NEMA 1 (Lockable): Indoor general purpose with locking capability.
- NEMA 3R: Exterior mount, rain-tight.
- NEMA 4: Water-tight and dust-tight.



NEMA 1



NEMA 1
(Lockable)



NEMA 3R



NEMA 4

Motors

Direct Drive

Single speed:

- ODP single phase, shaded pole or PSC motors are supplied on XWD and XPD units. These motors can be used with an FSC.
- ODP, TEFC and Explosion-proof motors are available in speeds of 1725 and 1140. Single phase motors are available from 1/6 to 1-1/2 HP. Three phase motors are available from 1/4 to 20 HP.
- ODP single phase, 860 rpm motors are available in 1/6 and 1/4 HP.
- TEFC three phase, 860 rpm motors are available from 1/2 to 10 HP.
- TEFC three phase, 680 rpm motors are available in 3/4 to 3 HP.

Two speed:

- 1725 rpm motors are 1725/1140, 1140 rpm motors are 1140/860.
- Explosion-proof motors are available for some sizes.

Vari-Flow® EC Direct Drive

Electronically Commutated (EC) Motors offer significantly improved energy efficiency and controllability over traditional fractional HP motors. COOK EC motors are offered in 1/4, 1/2 and 3/4 HP sizes for 120 volt, single phase applications. These totally enclosed, non-ventilated (TENV) motors have an adjustable speed range from 500 to 1725 RPM. There are 2 versions of the EC motor:

The "Motor Mounted Speed Control" version includes an integral potentiometer mounted on the exterior of the motor for precise adjustment of the motor speed. A screwdriver is used during field balancing to set the desired speed. This is a "set it and forget it" fan speed control.

The "External Signal Speed Control" version requires a 0-10 volt DC signal to adjust the speed of the motor. This external signal speed control option is used when you need to adjust the fan

speed during typical operation. The designer may choose to change fan speed due to changes in duct pressure, building load, temperature, time, etc. This motor can be paired with our optional fan speed control or pressure controller or connected to the building automation system. The motor will operate from 2-10 VDC and will turn off when the control signal is below 1.9 VDC.

Belt Drive

Single speed:

- Single phase motors are available from 1/6 to 1-1/2 HP.
- Three phase ODP, TEFC and Explosion-proof motors are available from 1/4 to 25 HP.

Two speed:

- Single phase motors are available in 1725/1140 rpm from 1/6 to 1 HP.
- Three phase motors are available in 1725/1140 rpm with two windings from 1/3 to 20 HP.

Controls

Fan Speed Controls

COOK's FSC is a variable speed controller which allows operation of XWD / XPD units from 100 percent of capacity down to approximately 50 percent. Cook's FSC is a variable speed controller which can offer excellent energy conservation and lower sound levels when 100 percent of a direct drive fan operating capacity is not required. The FSC employs solid state circuitry for long life and dependability. The FSC is available only on 115V and 230V shaded pole or permanent split capacitor direct drive motors and is not available on 1140 RPM and 1725 RPM motors. The FSC is normally shipped loose for field installation. Optional pre-wiring is available.

Fan Speed Control for EC Motors

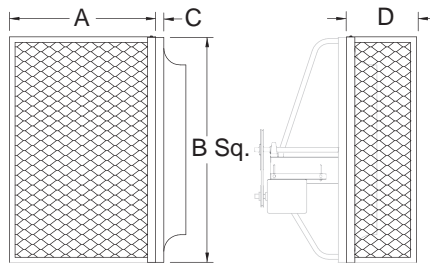
External Speed Control for the Cook EC Motor allows the fan speed to be adjusted remotely via an easy to read dial. The controller allows for adjustment from 20-100% of the fan speed. The controller works with the external signal version of the Cook EC Motor and requires 24 VAC power for operation.

Pressure control for EC Motors

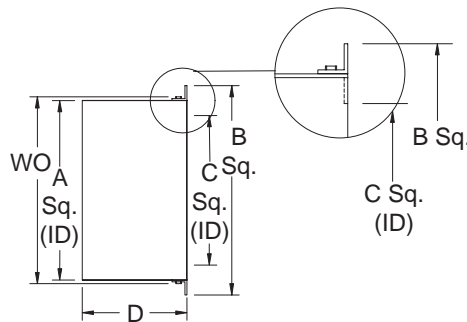
Constant pressure controller for the Cook EC Motor is for applications where the fan is intended to maintain a near constant pressure in a system such as dryer vents. The pressure controller reads the pressure in a duct system via the provided pressure transducer and automatically adjusts the fan rpm to maintain a preset value. The controller works with the external signal version of the Cook EC Motor and is shipped loose for field installation.



Wire Guard



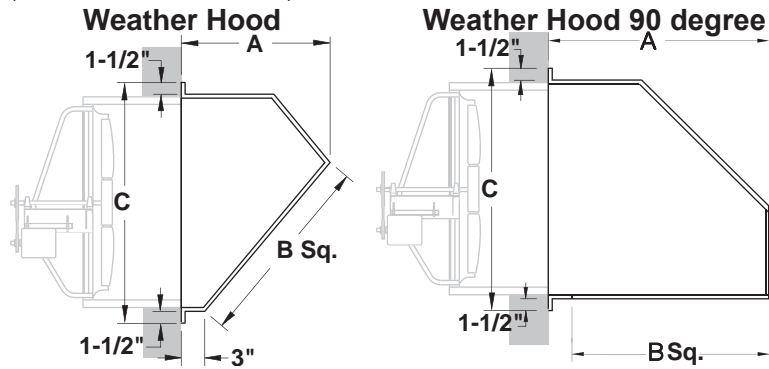
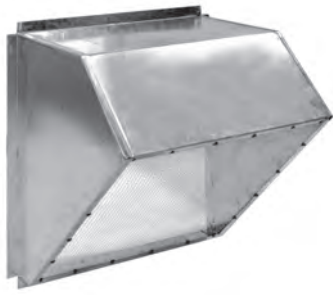
Wall Collar



Dimensions (inches)

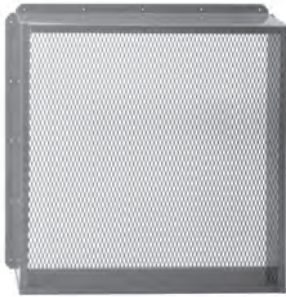
Size				Wall Opening	Wall Collar				Wire Guard				Galv. Steel Gauge	Optional Alum. Thickness
XWD XWHD	X.STREAM Series	A Series	E Series		A	B	C	D	A	B	C	D		
8	-	-	-	13-1/4	12-3/16	15-1/2	10-3/8	12	12-9/16	13-1/16	1	12-9/16	18	.080
10-12	-	12	-	17-1/4	16-3/16	19-1/2	14-3/8	14-5/16	12-9/16	17	1			
14-16	-	16	-	21-1/4	20-3/16	23-1/2	18-3/8	15-5/16	12-9/16	21	1			
18-20	-	20	-	25-1/4	24-1/4	27-1/2	22-3/8	17-1/2	12-9/16	25	1			
24	-	-	-	31-5/16	30-1/4	33-9/16	28-7/16	18-11/16	12-9/16	31	1-1/2			
-	20	-	-	25-1/4	24-1/4	27-1/2	22-3/8	17-1/2	20-9/16	25	1			
-	24	24	-	31-5/16	30-1/4	33-9/16	28-7/16	18-11/16	20-9/16	31	1-1/2			
-	30	30	24	37-5/16	36-1/4	39-9/16	34-7/16	18-11/16	20-9/16	37	1-1/2			
-	36	36	30	43-5/16	42-1/4	45-9/16	40-1/2	19-7/16	20-9/16	43	1-1/2			
-	42	42	36	49-3/8	48-1/4	51-5/8	46-1/2	19-7/16	25-9/16	49	1-1/2			
-	48	48	42	55-3/8	54-1/4	57-5/8	52-1/2	19-11/16	28-7/16	55	1-1/2	16	.080	
-	54	-	48	61-7/16	60-1/4	63-11/16	58-9/16	19-11/16	28-7/16	61	1-1/2			
-	60	-	54	67-7/16	66-1/4	69-11/16	64-9/16	19-11/16	28-7/16	67	1-1/2	13-7/16	14	.100
			60	73-7/16	72-1/4	75-11/16	70-9/16	19-11/16	28-7/16	73	1-1/2			
			72	85-7/16	84-1/4	87-11/16	82-9/16	19-11/16	30-9/16	85	1-1/2			

Weather Hoods (assembled or knockdown)

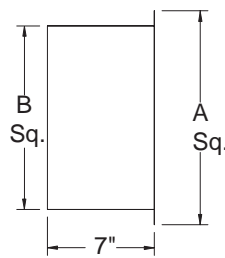


The weather hood is sized to mount to the wall. An extended mounting flange is available to attach weather hood to a wall collar or wall housing.

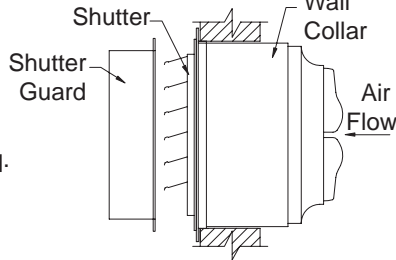
Shutter Guard



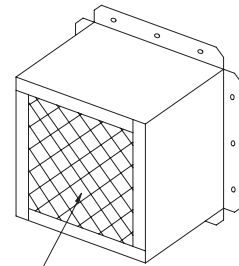
Side View



Typical Installation



Isometric View



Available with expanded metal, birdwire or insect screen. Expanded metal is constructed of steel with Lorenized™ finish. Birdwire and insect screen is constructed of aluminum.

Dimensions (inches)

Size				Weather Hoods					Shutter Guard			
XWD XWHD	X.STREAM Series	A Series	E Series	A		B Air Opening	C	Hood Free Area	A	B	Galv. Steel Gauge	Alum. Thick.
				Stand.	90 degree							
8	-	-	-	15-13/16	19	18	21	1.40	13-5/16	10-3/4	18	.080
10-12	-	12	-	18-11/16	23	22	25	2.80	17-5/16	14-3/4		
14-16	-	16	-	21-11/16	27	26	29	4.00	21-5/16	18-3/4		
18-20	-	20	-	24-3/8	27	30	33	5.40	25-5/16	22-3/4		
24	-	-	-	27-1/8	31	34	37	7.10	30-1/8	28		
-	20	-	-	24-3/8	31	30	33	5.40	25-5/16	22-3/4		
-	24	24	-	27-1/8	35	34	37	7.10	30-1/8	28		
-	30	30	24	31-7/16	41	40	43	10.00	36-1/8	34		
-	36	36	30	35-11/16	47	46	49	13.40	42-1/8	40		
-	42	42	36	39-15/16	53	52	55	17.40	48-1/8	46		
-	48	48	42	44-3/16	59	58	61	21.80	54-1/8	52		
-	54	-	48	48-7/16	65	64	67	26.70	60-1/8	58		
-	60	-	54	52-5/8	71	70	73	32.10	66-1/8	64	16	.100
			60	56-13/16	77	76	79	38.00	72-1/8	70		
			72	65-7/16	89	88	91	51.30	84-1/8	82		

Shutters

Standard and Heavy Duty Aluminum



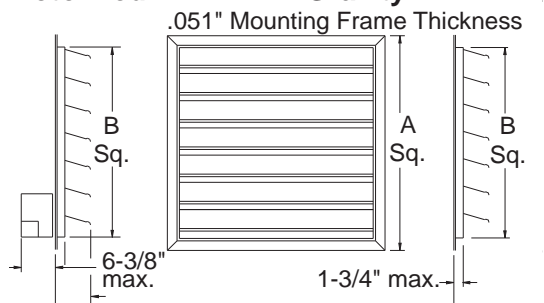
Heavy Duty



Standard Duty

Motorized

Gravity

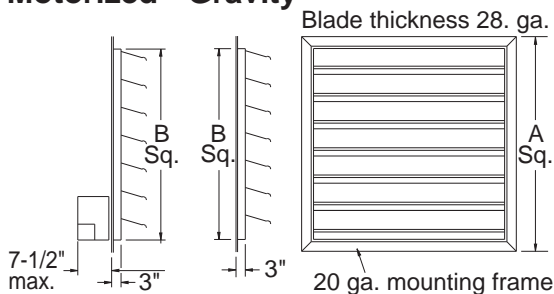


Blade Thickness .020" standard, .050" heavy duty

Heavy Duty Galvanized



Motorized Gravity



Model names for shutters:

Standard and Heavy Duty Aluminum: GSS & GSH
Heavy Duty Galvanized: GSG

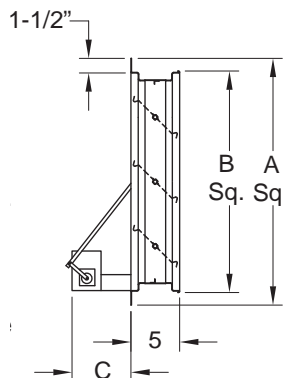
Then add a dash & the B dimension (rounded down)

Motorized Intake: MIC

Then add a dash & the B dimension

For example a Standard and Aluminum with a 10-3/8" B dimension = GSS-10

Motorized Intake Shutter



Size				Standard and Heavy Duty Aluminum					Heavy Duty Galvanized					Motorized Intake				
XWD XWHD	X.STREAM Series	A Series	E Series	Max. CFM for Std. Duty	Dimensions (inches)		No. of		Dimensions (inches)			No. of		Dimensions (inches)			No. of	
					A	B	Panels	Motor Packs	A	B	C	Panels	Motor Packs	A	B	C	Panels	Motor Packs
8	-	-	-	-	13	10-3/8	1	1	12-1/2	10	1	1	1	13	10	7-7/8	1	1
10-12	-	12	-	-	17	14-3/8	1	1	16-1/2	14	1	1	1	17	14	7-7/8	1	1
14-16	-	16	-	-	21	18-3/8	1	1	20-1/2	18	1	1	1	21	18	7-7/8	1	1
18-20	20	20	-	-	25	22-3/8	1	1	24-1/2	22	1	1	1	25	22	7-7/8	1	1
24	24	24	-	10125	30	27-3/8	1	1	30	27-1/2	1	1	1	30	27	7-7/8	1	1
-	30	30	24	15125	36	33-3/8	1	1	36	33-1/2	1	1	1	42	39	7-7/8	2	1
-	36	36	30	21125	42	39-3/8	1	1	42	39-1/2	1	1	1	48	45	7-7/8	2	1
-	42	42	36	28125	48	45-3/8	1	1	48	45-1/2	2	2	1	54	51	9-1/4	2	1
-	48	48	42	-	54	51-3/8	2	2	54	51-1/2	2	2	1	60	57	9-1/4	2	1
-	54	-	48	-	60	57-3/8	2	2	60	57-1/2	2	2	1	66	63	9-1/4	3	1
-	60	-	54	-	66	63-3/8	2	2	66	63-1/2	2	2	1	72	69	9-1/4	3	1
-	-	-	60	-	72	69-3/8	2	2	72	69-1/2	4	4	2	84	81	9-1/4	4	2
-	-	-	72	-	84	81-3/8	2	2	84	81-1/2	8	8	4	84	81	9-1/4	4	2

Motor operation required for velocities below 600 cfm.

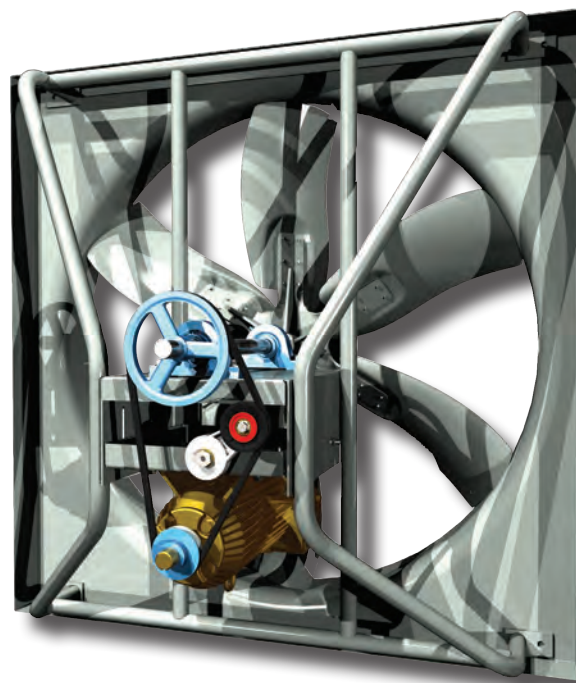
Automatic Belt Tensioner

The automatic belt tensioner maintains constant tension on the drive belt which offers two distinct benefits. It reduces startup and maintenance costs by continuously tensioning the belt throughout its life and also increases belt life by reducing slippage.

Engineering studies indicate properly tensioned belts can operate at 15° to 20°F cooler internal temperature than poorly tensioned belts. A drive belt industry rule of thumb is that every 18°F increase in internal temperature will reduce belt life by 50%. The automatic belt tensioner will easily double belt life compared to installations where belt tension is not properly maintained.

Too much belt tension can reduce the life of both the fan and motor bearings. The COOK automatic belt tensioner will assure proper belt tension throughout the life of the fan; maximizing bearing life and fan reliability.

Available on belt driven sizes 20 - 72.



Coatings

Standard Coatings

Lorenized™ is an electrostatically applied, baked polyester powder coating. This technology offers good chemical resistance, excellent mechanical performance and excellent protection from outdoor elements. Other colors available.

Optional Coatings

- COOK Epoxy Powder is an electrostatically applied, baked epoxy powder coating. Final coating thickness is 2.5 - 3.5 mils. For outdoor applications an optional UV resistant topcoat is available to prevent cosmetic chalking of the coating.
- COOK Phenolic Epoxy Powder is an electrostatically applied, baked phenolic epoxy powder coating. Final coating thickness is 2 - 4 mils. For outdoor applications an optional UV resistant topcoat is required to prevent deterioration of the coating.
- COOK Easy Clean Powder is an electrostatically applied, baked modified epoxy silicone powder producing a high temperature "non-stick" coating. Final coating thickness is 1.3 - 1.7 mils.
- Air Dry Phenolic (Heresite VR-504) is a conventional spray applied phenolic resin coating. Final coating thickness is 4 - 6 mils. For outdoor applications an optional UV resistant topcoat (Heresite UC-5500) is required to prevent deterioration of the coating.
- Refer to the corrosion resistance guide in the Compute-A-Fan™ software for a listing of the coatings above and their resistance to a variety of chemicals. Additional special coatings are available.

Additional Options & Accessories

- Extended lubrication lines
- insect screen
- aluminum mounting flange
- extended mounting flange for wall collars and Packaged Fans.

Optional Construction

"All-Aluminum" construction is available on "A Series" and "E Series" propeller wall fans. All fabricated components are produced from aluminum material. Shafts are 304 stainless steel and all fasteners are either 300 or 400 series stainless steel. Motor, bearings, drive sheaves, and their related fasteners are provided as standard steel construction. Any accessories to these units will remain standard steel construction unless specifically requested.

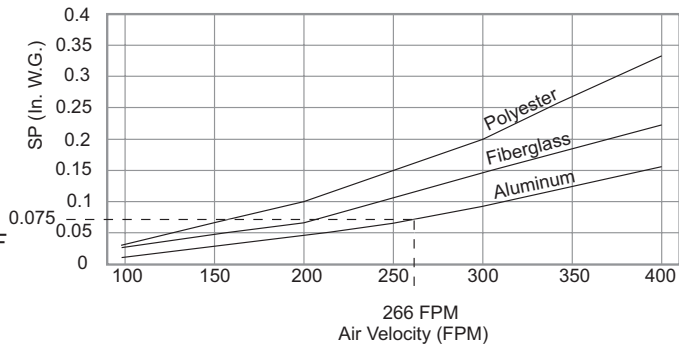
Filter Media Pressure Drop

The following information will be helpful in calculating any additional static pressure to add for filters.

Example:

A size 24 AWB selected for 2369 CFM at 0.25 inches system static pressure utilizing aluminum filter media.

- $CFM/Filter\ area\ (SF) = Air\ velocity\ (FRM)\ 2369\ CFM / 8.9\ SF = 266\ FPM.$
- Go into the pressure drop graph and determine the static pressure drop with aluminum media, 0.075 (in. W.G.).
- Add the value from step 2 to the system static pressure, 0.25 + 0.075 = 0.325 (in. W.G.).
- Make selection at the new static pressure point, 0.325 (in. W.G.).



Accessory Pressure Drop

Correct sizing of propeller wall fans requires design phase calculations of the pressure drop for each accessory. This calculation can be determined by using the graphs below in conjunction with the following formula.

1. Determine fan size, CFM and external SP.
2. Use the CFM to determine the SP drop for each fan accessory.
3. Add the total of the accessory pressure drops selected to the external SP to obtain a total system SP.
4. Use the CFM and SP total to determine the HP and RPM from the fan performance tables.

Filter Media Data

Aluminum Media (Standard) - Expanded aluminum, washable filter media installed in a 2 inch frame.

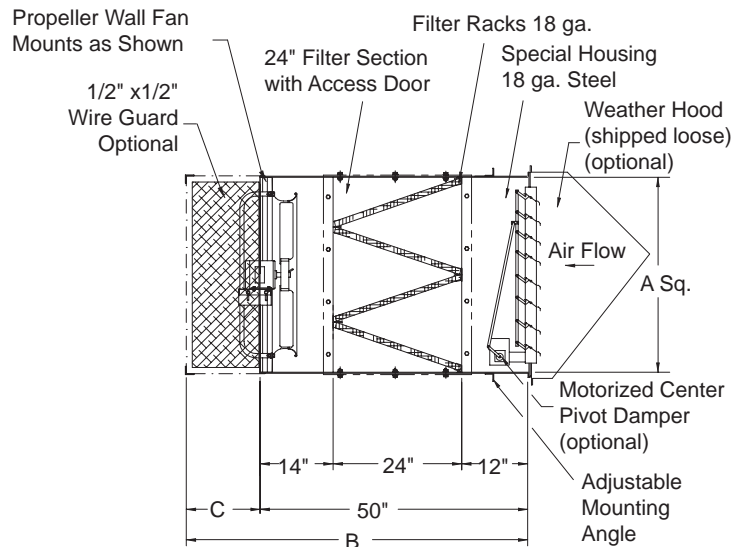
- Initial Atmospheric Dust Spot Efficiency: 20%
- Average Atmospheric Dust Spot Efficiency: 20%
- Average Synthetic Dust Weight Arrestance: 54%

Fiberglass Media (Optional) - Laminated fiberglass replaceable media installed in a 2 inch frame.

- Initial Atmospheric Dust Spot Efficiency: 20%
- Average Atmospheric Dust Spot Efficiency: 20%
- Average Synthetic Dust Weight Arrestance: 84%

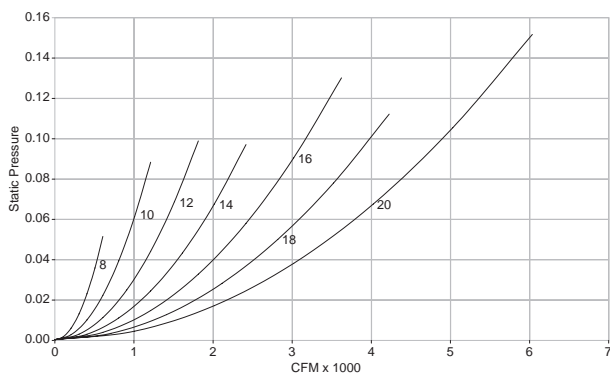
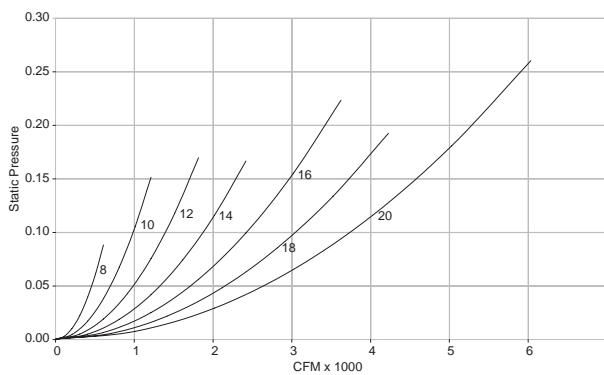
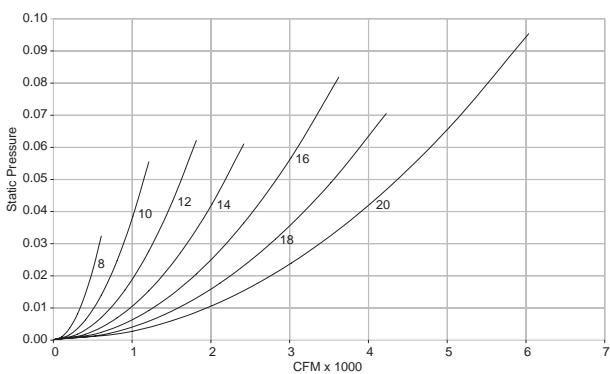
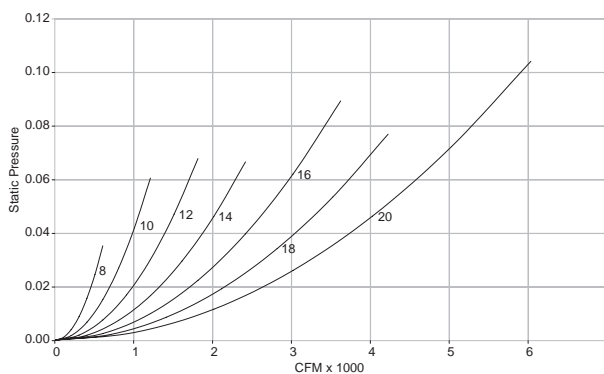
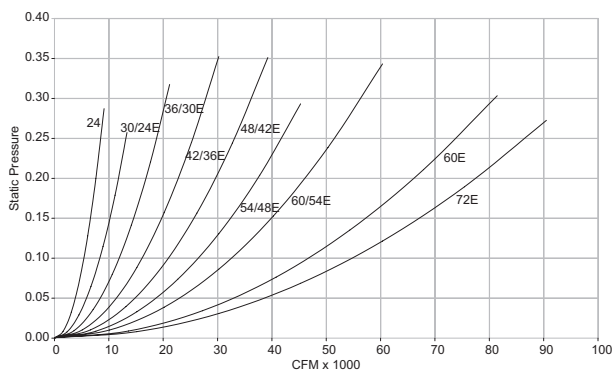
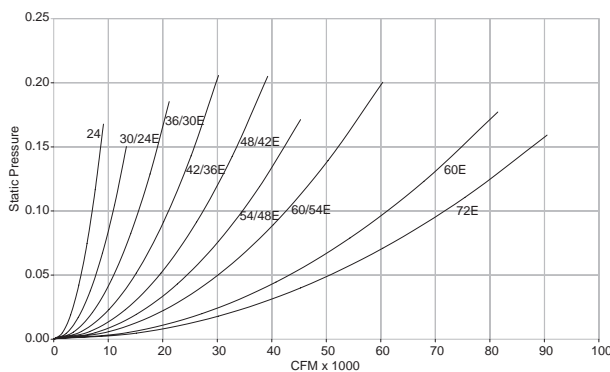
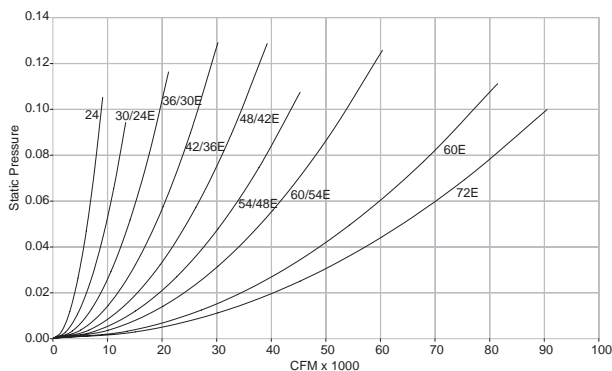
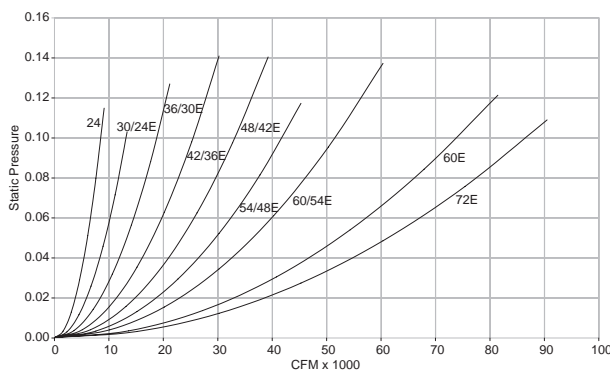
Polyester Media (Optional) - Non-woven polyester replaceable media installed in a 2 inch frame.

- Initial Atmospheric Dust Spot Efficiency: < 20%
- Average Atmospheric Dust Spot Efficiency: < 20%
- Average Synthetic Dust Weight Arrestance: 93%



Size				No. of Filters	Filter Size	Filter Area (SF)	Dimensions (inches)		
XWD XWHD	X.STREAM Series	A Series	E Series				A	B	C
10-12	-	12	-	1	26-3/4 x 16-3/16	2.5	16-15/16	62-9/16	12-9/16
14-16	-	16	-	1	29 x 20-3/16	3.5	20-15/16	62-9/16	12-9/16
18-20	-	20D	-	2	24-3/16 x 24-7/8	7.2	24-15/16	62-9/16	12-9/16
24	-	-	-	4	26-3/16 x 14-7/8	8.9	30-15/16	62-9/16	12-9/16
-	20	20B	-	2	24-3/16 x 24-7/8	7.2	24-15/16	70-9/16	20-9/16
-	24	24	-	4	26-3/16 x 14-7/8	8.9	30-15/16	70-9/16	20-9/16
-	30	30	24	4	27-7/8 x 17-7/8	11.7	36-15/16	70-9/16	20-9/16
-	36	36	30	6	25-3/4 x 20-7/8	19.1	42-15/16	70-9/16	20-9/16
-	42	42	36	6	26-3/4 x 23-7/8	23.0	48-15/16	75-9/16	25-9/16
-	48	48	42	12	25-1/4 x 17-7/8	31.6	54-15/16	78-7/16	28-7/16
-	54	-	48	12	26 x 19-7/8	36.6	61	78-7/16	28-7/16
-	60	-	54	12	26-7/8 x 21-7/8	42.1	67	78-7/16	28-7/16
-	-	-	60	12	21 x 27	48.4	73	78-7/16	28-7/16

All dimensions in inches.

Shutter Guard Pressure Drop - Sizes 8-20

Shutter Pressure Drop - Sizes 8-20

Weather Hood Pressure Drop - Sizes 8-20

Wire Guard Pressure Drop - Sizes 8-20

Shutter Pressure Drop - 24-72

Shutter Guard Pressure Drop - 24-72

Weather Hood Pressure Drop - 24-72

Wire Guard Pressure Drop - 24-72


XWD Direct Drive 8-14

Fan Size	Catalog Number	HP	Max. Watts	Fan RPM	FA Sones	CFM at Static Pressure								
						0.000	0.050	0.100	0.125	0.150	0.200	0.250	0.300	0.375
8	8XW21D15	1/25	34	1550	3.7	220	164							
	8XW24D15	1/25	40	1550	4.7	299	240	196						
	8XW28D15	1/25	40	1550	5.6	333	264	188						
	8XW38D15	1/25	46	1550	6.1	419	298							
10	10XW24D10	1/25	72	1075	3.9	422	309							
	10XW24D103	1/20	57	1075	1.9	571	499	421	367	311				
	10XW24D133	1/20	63	1300	3.1	585	518	453	408	368				
	10XW24D15	1/20	90	1550	5.2	613	556	503	474	440				
	10XW24D153	1/20	110	1550	5.1	620	560	513	487	459				
	10XW28D10	1/25	73	1075	3.7	459	342							
	10XW28D103	1/20	56	1075	2.0	599	534	453	391					
	10XW28D133	1/20	64	1300	3.2	622	562	475	426	375				
	10XW28D15	1/20	94	1550	5.4	675	622	566	536	503				
	10XW28D153	1/20	112	1550	5.4	668	616	558	520	477				
	10XW40D103	1/6	70	1075	3.1	767	718	653	560					
	10XW40D133	1/6	85	1300	4.5	821	779	728	689	609				
	10XW40D15	1/8	95	1550	6.4	890	847	796	759	688				
	10XW40D153	1/6	160	1550	6.5	875	825	773	742	689				
10XW41D15	1/20	144	1550	6.8	872	828	776	741	687	524				
12	12XW26D103	1/6	78	1075	3.5	981	912	834	792	748	614			
	12XW26D132	1/4	118	1300	4.9	1098	1046	990	959	926	854	776	687	
	12XW26D133	1/6	90	1300	5.0	1056	994	927	891	853	770	680		
	12XW26D15	1/8	91	1550	7.4	1092	1041	984	951	915	845	769		
	12XW26D152	1/4	121	1550	6.4	1106	1059	1008	980	948	876	797	714	
	12XW26D153	1/6	171	1550	7.0	1083	1031	977	948	918	852	770		
	12XW32D10	1/6	90	1075	4.3	890	832	729	628					
	12XW32D103	1/6	88	1075	3.9	1122	1006	908	842	760				
	12XW32D132	1/4	136	1300	5.5	1270	1227	1179	1151	1115	1018	912		
	12XW32D133	1/6	107	1300	5.5	1190	1129	1065	1029	988	862			
	12XW32D15	1/8	122	1550	7.5	1275	1224	1168	1134	1092	996	900		
	12XW32D152	1/4	148	1550	8.0	1303	1252	1198	1168	1134	1054	966	862	
	12XW32D153	1/6	184	1550	7.4	1267	1221	1172	1144	1112	1024	914		
	12XW36D10	1/6	94	1075	4.6	994	912	792	702					
	12XW36D103	1/6	97	1075	4.3	1127	1013	883	775					
	12XW36D132	1/4	160	1300	5.8	1424	1368	1311	1282	1252	1184	1061	917	
	12XW36D133	1/6	123	1300	6.6	1235	1170	1090	1033	958	805			
	12XW36D152	1/4	173	1550	9.1	1432	1385	1335	1309	1281	1215	1108	962	
12XW36D153	1/6	203	1550	8.9	1379	1324	1268	1238	1207	1129	974	821		
12XW40D15	1/8	222	1550	9.0	1474	1422	1367	1336	1302	1212				
14	14XW20D082	1/6	79	860	4.0	934	863	781	732	681				
	14XW20D10	1/25	97	1075	6.6	931	807	731	693	627				
	14XW20D102	1/6	118	1075	6.5	955	868	793	752	705				
	14XW20D132	1/4	167	1300	8.4	1315	1265	1213	1186	1158	1098	1036	965	834
	14XW20D15	1/8	157	1550	12.3	1280	1228	1176	1149	1122	1065	999	921	
	14XW20D152	1/4	196	1550	12.6	1334	1289	1242	1217	1191	1135	1076	1016	882
	14XW26D082	1/6	93	860	4.0	1216	1139	1069	1034	990	799			
	14XW26D10	1/6	105	1075	6.2	1216	1158	1091	1049	1000	863			
	14XW26D102	1/6	131	1075	6.7	1228	1168	1096	1046	991	864			
	14XW26D132	1/4	204	1300	8.1	1667	1622	1576	1551	1526	1469	1401	1310	1114
	14XW26D152	1/4	231	1550	11.4	1714	1670	1626	1603	1579	1528	1470	1402	1259
	14XW32D132	1/4	244	1300	8.2	1969	1904	1837	1801	1762	1675	1580	1486	
	14XW32D152	1/4	269	1550	12.0	2070	2014	1956	1926	1894	1823	1740	1655	
	14XW40D132	1/3	341	1300	10.1	2254	2164	2073	2025	1976	1858	1626		
14XW40D152	1/3	405	1550	15.3	2461	2400	2338	2305	2270	2191	2091	1918		

Performance shown is for Installation Type A: free inlet, free outlet. Performance ratings do not include the effects of appurtenances (accessories) in the airstream. The sound ratings shown are loudness values in hemispherical sones at 1.5m (5 ft) in a hemispherical free field calculated per AMCA Standard 301. Values shown are for Installation Type A: free inlet hemispherical sone levels.

XWD Direct Drive 16-24

Fan Size	Catalog Number	HP	Max. Watts	Fan RPM	FA Sones	CFM at Static Pressure										
						0.000	0.050	0.100	0.125	0.150	0.200	0.250	0.300	0.375	0.500	
16	16XW21D082	1/6	144	860	5.1	1441	1364	1275	1218	1155	1033	886				
	16XW21D10	1/6	161	1075	7.7	1465	1392	1311	1263	1207	1078	951				
	16XW21D102	1/6	187	1075	7.7	1489	1416	1335	1288	1232	1098	964	825			
	16XW21D132	1/4	274	1300	10.4	1964	1898	1832	1797	1762	1688	1600	1472	1261		
	16XW21D152	1/4	331	1550	14.0	2048	1995	1941	1913	1884	1819	1744	1659	1521	1253	
	16XW26D082	1/6	161	860	4.9	1713	1621	1524	1472	1414	1245					
	16XW26D10	1/6	177	1075	7.5	1747	1662	1572	1524	1471	1330					
	16XW26D102	1/6	200	1075	7.4	1783	1706	1624	1579	1527	1396	1211				
	16XW26D132	1/3	340	1300	10.8	2266	2197	2125	2087	2046	1954	1841	1698			
	16XW26D152	1/3	392	1550	14.3	2451	2398	2343	2315	2287	2226	2158	2081	1946		
	16XW28D082	1/6	175	860	5.1	1849	1738	1624	1564	1497	1297					
	16XW28D102	1/6	210	1075	7.6	1895	1816	1730	1682	1626	1485	1262				
	16XW28D132	1/2	416	1300	10.1	2598	2530	2460	2424	2386	2303	2207	2097	1903		
	16XW28D152	1/2	490	1550	13.5	2732	2679	2624	2597	2568	2510	2445	2374	2247	1940	
	16XW36D072	1/3	228	750	4.1	2236	2134	2018	1946	1858	1634					
	16XW36D102	1/3	293	1075	7.7	2368	2273	2173	2118	2059	1923	1730				
16XW36D132	3/4	556	1300	12.9	3168	3101	3032	2997	2960	2879	2784	2665	2433			
16XW36D152	3/4	682	1550	15.9	3428	3365	3300	3267	3233	3162	3083	2991	2830	2534		
18	18XW24D082	1/6	165	860	5.8	2212	2099	1964	1873	1772						
	18XW24D102	1/6	212	1075	8.3	2335	2240	2144	2096	2046	1935	1739				
	18XW24D132	1/2	482	1300	12.6	3047	2966	2883	2840	2794	2694	2575	2434	2132		
	18XW24D152	1/2	553	1550	15.1	3275	3218	3161	3132	3102	3040	2974	2901	2773	2451	
	18XW29D082	1/3	226	860	5.6	2712	2581	2439	2359	2271	2072					
	18XW29D102	1/3	282	1075	9.1	2862	2761	2657	2604	2548	2428					
	18XW29D132	3/4	565	1300	11.1	3687	3596	3504	3456	3408	3308	3200	3081	2869		
	18XW29D152	3/4	704	1550	14.6	3887	3820	3753	3718	3684	3612	3536	3455	3318	3034	
	18XW34D082	1/3	266	860	6.3	2853	2683	2510	2420	2319	2016					
	18XW34D102	1/3	342	1075	9.4	3145	3033	2917	2856	2793	2654	2499	2273			
	18XW34D132	3/4	663	1300	13.2	3879	3771	3660	3604	3546	3426	3291	3117	2735		
	18XW34D152	3/4	823	1550	16.7	4288	4219	4150	4114	4077	3999	3912	3810	3615	3297	
20	20XW24D072	1/3	236	750	4.9	2851	2716	2571	2490	2395	2110					
	20XW24D10	1/3	320	1075	9.5	2961	2844	2724	2660	2594	2448	2263	2059			
	20XW24D102	1/3	307	1075	9.2	3049	2946	2838	2781	2719	2577	2386	2126			
	20XW24D132	3/4	563	1300	13.0	3664	3569	3472	3423	3373	3270	3158	3029	2745		
	20XW24D152	3/4	746	1550	16.3	3864	3797	3728	3693	3657	3582	3498	3401	3225	2912	
	20XW28D072	1/3	269	750	5.4	3116	2933	2746	2644	2514						
	20XW28D10	1/3	359	1075	9.9	3357	3242	3122	3058	2991	2836	2638				
	20XW28D102	1/3	347	1075	10.0	3419	3311	3199	3141	3078	2937	2730				
	20XW28D132	3/4	633	1300	13.6	3953	3837	3719	3659	3599	3475	3334	3130			
	20XW28D152	3/4	840	1550	18.0	4378	4297	4215	4175	4133	4050	3965	3877	3733	3360	
	20XW32D072	3/4	394	750	6.0	3719	3576	3428	3350	3268	3079	2797				
	20XW32D10	1/2	448	1075	11.0	3857	3755	3647	3590	3528	3379	3170	2891			
	20XW32D102	3/4	623	1075	11.3	3975	3838	3701	3633	3565	3427	3272	3020			
	20XW36D072	3/4	441	750	6.5	3961	3800	3634	3547	3454	3236	2837				
20XW36D10	1/2	517	1075	11.9	4106	3988	3866	3802	3734	3584	3390	3033				
20XW36D102	3/4	675	1075	11.9	4187	4065	3941	3876	3810	3669	3500	3214				
24	24XW28D072	3/4	592	750	7.2	5083	4785	4420	4173	3908	3358					
	24XW28D102	3/4	908	1075	12.7	6054	5882	5704	5611	5512	5292	5030	4734	4287		
	24XW32D072	3/4	627	750	8.1	5013	4616	4075	3617	3128						
	24XW32D10	3/4	1015	1075	15.8	6675	6496	6309	6209	6101	5837	5445	4925	4379		
	24XW32D102	3/4	1055	1075	14.6	6696	6531	6361	6270	6173	5948	5635	5202	4615		

Performance shown is for Installation Type A: free inlet, free outlet. Performance ratings do not include the effects of appurtenances (accessories) in the airstream. The sound ratings shown are loudness values in hemispherical sones at 1.5m (5 ft) in a hemispherical free field calculated per AMCA Standard 301. Values shown are for Installation Type A: free inlet hemispherical sone levels.

XWDEC Direct Drive

Fan Size	Catalog Number	HP	Fan RPM	FA Sones	Max. Watts	CFM at Static Pressure											
						0.000	0.050	0.100	0.125	0.150	0.200	0.250	0.300	0.375	0.500	0.625	0.750
10	10XW24D17EC	1/4	1725	6.4	41	585	549	504	467	421	370						
	10XW28D17EC		1725	6.5	45	616	580	538	512	474	401						
	10XW40D17EC		1725	7.9	74	818	776	730	702	665							
12	12XW26D17EC	1/4	1725	9.1	84	1087	1042	992	961	927	859	794	698				
	12XW32D17EC		1725	10.2	110	1245	1202	1157	1133	1107	1042	940	819				
	12XW36D17EC		1725	10.4	148	1375	1332	1287	1261	1231	1150	1037	912	752			
	12XW40D17EC		1725	12.1	154	1524	1480	1433	1409	1383	1323	1241	1099				
14	14XW20D17EC	1/4	1725	14.2	134	1328	1279	1229	1204	1178	1124	1068	1008	912			
	14XW26D17EC		1725	13.2	186	1796	1743	1689	1662	1635	1579	1521	1459	1348			
	14XW32D17EC		1725	13.5	242	2072	2027	1981	1957	1932	1877	1814	1740	1618			
	14XW40D17EC		1725	15.7	346	2490	2433	2375	2345	2314	2248	2173	2084	1889			
16	16XW21D17EC	1/2	1725	17.7	283	2092	2046	1999	1975	1952	1903	1853	1800	1716	1536		
	16XW26D17EC		1725	19.6	378	2548	2493	2437	2410	2383	2329	2276	2223	2139	1958	1586	
	16XW28D17EC		1725	18.4	413	2808	2756	2704	2678	2651	2598	2544	2488	2398	2191		
	16XW36D17EC		1725	22	574	3402	3346	3290	3261	3231	3168	3097	3014	2868	2637	2174	
18	18XW24D17EC	3/4	1725	18.7	493	3237	3179	3121	3093	3065	3009	2955	2902	2821	2659	2219	
	18XW29D17EC		1725	19.5	647	3877	3817	3757	3727	3696	3636	3576	3515	3422	3246	2872	
	18XW34D16EC		1	1650	17.9	688	4123	4062	4000	3969	3937	3872	3804	3729	3602	3349	3025
20	20XW24D16EC	1	1650	18.9	555	3778	3718	3656	3625	3593	3527	3456	3377	3238	2945	2603	
	20XW28D16EC		1650	19.6	685	4292	4226	4160	4126	4093	4023	3951	3874	3747	3477	3081	

Performance shown is for Installation Type A: free inlet, free outlet. Performance ratings do not include the effects of appurtenances (accessories) in the airstream. The sound ratings shown are loudness values in hemispherical sones at 1.5m (5 ft) in a hemispherical free field calculated per AMCA Standard 301. Values shown are for Installation Type A: free inlet hemispherical sone levels.

XWHD Direct Drive

Fan Size	Catalog Number	HP	Max. BHP	Fan RPM	FA Sones	CFM at Static Pressure													
						0.000	0.050	0.100	0.125	0.150	0.200	0.250	0.300	0.375	0.500	0.625	0.750		
12	12XWH26D08	1/6	0.01	860	4.1	534	440												
	12XWH26D11	1/6	0.03	1140	6.0	707	645	550											
	12XWH26D17	1/6	0.10	1725	11.1	1070	1030	988	966	942	884	779							
	12XWH32D08	1/6	0.02	860	4.5	622	528												
	12XWH32D11	1/6	0.04	1140	6.9	824	762	671	575										
	12XWH32D17	1/6	0.14	1725	12.4	1247	1207	1166	1144	1119	1061	970	835						
	12XWH36D08	1/6	0.02	860	4.6	683	572												
	12XWH36D11	1/6	0.05	1140	7.4	905	828	730	649										
	12XWH36D17	1/6	0.17	1725	13.4	1370	1320	1268	1241	1213	1149	1065	947						
14	14XWH20D08	1/6	0.02	860	6.5	655	561	429											
	14XWH20D11	1/6	0.05	1140	8.8	868	795	726	683	628									
	14XWH20D17	1/4	0.18	1725	17.3	1314	1264	1216	1193	1171	1126	1077	1015	900					
	14XWH26D08	1/6	0.03	860	6.8	839	758	575											
	14XWH26D11	1/6	0.07	1140	11.1	1113	1055	987	943	875									
	14XWH26D17	1/4	0.23	1725	20	1684	1646	1607	1587	1567	1522	1472	1408	1231					
	14XWH32D08	1/6	0.04	860	6.1	1051	940	774											
	14XWH32D11	1/6	0.09	1140	8.5	1393	1311	1224	1174	1113	911								
	14XWH32D17	1/3	0.29	1725	15.2	2107	2054	2000	1972	1944	1887	1825	1756	1620					
	14XWH40D08	1/6	0.05	860	6.7	1234	1104	871											
14XWH40D11	1/6	0.13	1140	10.7	1636	1547	1427	1336	1250	1043									
14XWH40D17	1/2	0.42	1725	18.4	2475	2418	2359	2327	2293	2216	2111	1989	1819						
16	16XWH21D08	1/6	0.04	860	7.4	1064	973	870	811	716									
	16XWH21D11	1/6	0.10	1140	9.8	1410	1342	1272	1234	1195	1112	997							
	16XWH21D17	1/3	0.36	1725	18.9	2134	2089	2044	2022	1999	1952	1904	1854	1775	1630	1395			
	16XWH26D08	1/6	0.06	860	6.2	1269	1182	1051	982	905	729								
	16XWH26D11	1/6	0.15	1140	9.9	1683	1619	1549	1505	1453	1340	1239	1061	934					
	16XWH26D17	1/2	0.51	1725	19.1	2546	2505	2463	2441	2419	2372	2320	2261	2150	1974	1760	1520		
	16XWH28D08	1/6	0.06	860	7.8	1407	1318	1163	1083	1002									
	16XWH28D11	1/6	0.14	1140	9.9	1866	1801	1727	1681	1619	1478	1368							
	16XWH28D17	1/2	0.49	1725	22	2823	2781	2738	2715	2693	2644	2590	2524	2387	2176	1957			
	16XWH36D08	1/6	0.08	860	8.4	1709	1593	1451	1359	1234									
16XWH36D11	1/4	0.20	1140	10.2	2265	2179	2089	2040	1985	1859	1696	1436							
16XWH36D17	3/4	0.67	1725	23	3427	3371	3315	3286	3257	3197	3134	3067	2955	2731	2396				
18	18XWH24D08	1/6	0.07	860	6.0	1609	1512	1401	1327	1205									
	18XWH24D11	1/6	0.17	1140	9.9	2133	2061	1986	1946	1904	1806	1660	1399						
	18XWH24D17	3/4	0.58	1725	22	3227	3180	3132	3108	3084	3035	2984	2930	2844	2666	2336			
	18XWH29D08	1/6	0.09	860	6.0	1942	1837	1713	1633	1529									
	18XWH29D11	1/4	0.22	1140	11.1	2574	2496	2414	2371	2324	2215	2074	1831						
	18XWH29D17	3/4	0.74	1725	23	3895	3843	3792	3765	3739	3685	3629	3571	3475	3281	3010			
	18XWH34D08	1/6	0.11	860	6.4	2190	2088	1965	1879	1770									
	18XWH34D11	1/4	0.26	1140	11.3	2903	2827	2747	2704	2658	2546	2395	2196						
18XWH34D17	1	0.92	1725	23	4393	4343	4293	4267	4241	4189	4134	4076	3979	3776	3498	2923			
20	20XWH24D08	1/6	0.10	860	8.2	2001	1852	1673	1563	1430	1171								
	20XWH24D11	1/4	0.25	1140	13.8	2653	2542	2425	2362	2294	2140	1954	1735	1475					
	20XWH24D17	1	0.84	1725	27	4014	3941	3868	3831	3793	3716	3635	3549	3411	3142	2804	2469		
	20XWH28D08	1/6	0.11	860	8.4	2326	2188	2022	1916	1792									
	20XWH28D11	1/4	0.27	1140	14.0	3083	2981	2874	2816	2752	2605	2430	2208						
	20XWH28D17	1	0.97	1725	27	4665	4599	4531	4497	4462	4391	4317	4238	4108	3850	3536	3101		
	20XWH32D08	1/6	0.15	860	9.4	2712	2566	2401	2302	2182	1846								
	20XWH32D11	1/3	0.36	1140	15.7	3595	3486	3373	3314	3251	3113	2945	2727	2298					
	20XWH32D17	1-1/2	1.23	1725	31	5439	5368	5296	5259	5223	5148	5072	4992	4866	4624	4316	3908		
	20XWH36D08	1/4	0.18	860	10.5	3000	2828	2634	2522	2402	2114								
20XWH36D11	1/2	0.43	1140	17.6	3976	3848	3716	3646	3572	3411	3233	3042	2652						
20XWH36D17	1-1/2	1.44	1725	35	6017	5933	5848	5805	5762	5674	5584	5490	5341	5065	4764	4424			
24	24XWH28D08	1/3	0.35	860	11.9	4799	4579	4357	4244	4127	3869	3535							
	24XWH28D11	1	0.87	1140	19.2	6362	6196	6030	5946	5862	5693	5519	5337	5022	4287				
	24XWH32D08	1/2	0.48	860	13.0	5460	5238	5014	4902	4787	4537	4212	3715						
	24XWH32D11	1	1.09	1140	21	7238	7070	6902	6818	6733	6564	6393	6215	5912	5168				
	24XWH36D08	3/4	0.60	860	14.5	6098	5883	5660	5542	5417	5136	4794	4257						
	24XWH36D11	1-1/2	1.37	1140	23	8083	7922	7759	7676	7592	7418	7232	7033	6696	5934				

*3 phase only

Performance shown is for Installation Type A: free inlet, free outlet. Performance ratings do not include the effects of appurtenances (accessories) in the airstream. The sound ratings shown are loudness values in hemispherical sones at 1.5m (5 ft) in a hemispherical free field calculated per AMCA Standard 301. Values shown are for Installation Type A: free inlet hemispherical sone levels.

AWD Direct Drive

Fan Size	Catalog Number	HP	Max. BHP	Fan RPM	FA Sones	CFM at Static Pressure					
						0.000	0.125	0.250	0.375	0.500	0.750
12	12A17D	1/4	0.13	1725	17.3	1251	1070	705	446		
16	16A11D	1/6	0.08	1140	8.1	1585	1022	663			
	16A11DA	1/6	0.15	1140	11.7	1987	1292	996			
	16A17D	1/4	0.26	1725	15.5	2398	2037	1644	1303	1079	
	16A17DB	1/2	0.61	1725	24	3007	2578	2108	1738	1592	1134
20	20A11D	1/6	0.20	1140	12.2	3179	2673	1991	1379		
	20A11DA	1/4	0.37	1140	14.2	3891	3290	2306	1775	1146	
	20A17D	1/4	0.29	1725	16.4	3010	2686	2374	2072	1755	1181
	20A17DA	1/3	0.39	1725	27	3602	3348	3121	2632	2321	
24	20A17DB	1/2	0.66	1725	23	4811	4496	4160	3738	3299	
	24A11D	1/4	0.29	1140	13.8	3663	3092	2625	2028	1666	
	24A11DA	1/3	0.40	1140	15.4	4522	3962	3338	2732	2158	
	24A11DB	1/2	0.62	1140	18.2	5969	5472	4703	3832	2958	
	24A11DC	3/4	0.74	1140	19.7	6570	6022	5168	4153	3237	
30	24A11DD	1	1.10	1140	21	7185	6513	5431	4095	3519	2649
	30A8D	3/4	0.80	860	18.6	8945	8045	6816	4671	3738	
	30A8DA	1	0.93	860	20	9830	8884	7168	5030		
	30A11D	3/4	0.83	1140	23	7822	7110	6308	5585	4709	
	30A11DA	1	1.13	1140	25	9359	8625	7870	7074	6131	
	30A11DB	1 1/2	1.66	1140	29	11099	10413	9692	8903	7687	
36	30A11DC	2	2.18	1140	32	13030	12353	11563	10283	8950	5912
	36A8D	1	1.02	860	22	11765	10629	9341	7719		
	36A8DA	1 1/2	1.59	860	25	14396	13226	11733	10363		
	36A11D	3/4	0.84	1140	27	9641	8391	7389	6424		
	36A11DA	1 1/2	1.56	1140	31	13151	12206	11254	10332	9295	
	36A11DB	2	2.23	1140	35	15595	14745	13873	12911	11851	
42	36A11DC	3	3.43	1140	42	19084	18230	17291	16170	15085	
	42A8D	1 1/2	1.71	860	27	16900	15549	14166	12703	11019	
	42A8DA	2	2.45	860	29	20547	19036	17452	16003	14400	
	42A8DB	3	3.17	860	33	22430	21228	19867	18288	16700	
48	42A8DC	5	4.70	860	38	27000	25540	24010	22376	20470	
	48A8D	2	2.25	860	30	21050	18978	17300	15643	13692	
	48A8DA	3	3.38	860	35	24800	23225	21571	19852	18055	
	48A8DB	5	5.72	860	42	33680	31846	30054	28301	26445	21342

Performance shown is for Installation Type A: free inlet, free outlet. Performance ratings do not include the effects of appurtenances (accessories) in the airstream. The sound ratings shown are loudness values in hemispherical sones at 1.5m (5 ft) in a hemispherical free field calculated per AMCA Standard 301. Values shown are for Installation Type A: free inlet hemispherical sone levels.

EWD Direct Drive

Fan Size	Catalog Number	HP	Max. BHP	Fan RPM	FA Sones	CFM at Static Pressure						
						0.000	0.125	0.250	0.375	0.500	0.750	1.000
20	20EW612D11	1/6	0.15	1140	14.3	2421	1933	1534	983	677		
	20EW420D11	1/4	0.20	1140	13.8	3363	2835	2198	1521	682		
	20EW612D17	1/2	0.52	1725	27	3664	3274	2996	2753	2493	1857	1223
	20EW420D17	3/4	0.68	1725	27	5089	4774	4411	3982	3561	2729	1450
24	24EW416D11	1/3	0.33	1140	17.3	4769	4204	3537	2634			
	24EW620D11	1/2	0.57	1140	24	5689	5303	4842	4276	3549		
	24EW624D11	3/4	0.72	1140	22	6595	6108	5620	5066	4286		
	24EW416D17	1	1.14	1725	34	7216	6854	6476	6068	5630	4545	3129
	24EW420D17	1-1/2	1.41	1725	36	8261	7868	7472	7065	6618	5586	3953
	24EW620D17	2	1.94	1725	46	8608	8358	8101	7827	7521	6812	5978
30	30EW416D08	1/2	0.36	860	17.0	6248	5170	4051	2878			
	30EW420D08	1/2	0.48	860	18.6	7234	6110	4939	3636			
	30EW616D08	1/2	0.51	860	21	6504	5808	5056	3966	2391		
	30EW624D08	1	0.90	860	22	8775	7981	7139	6074	4664		
	30EW416D11	1	0.84	1140	27	8282	7453	6651	5823	4813		
	30EW616D11	1-1/2	1.18	1140	33	8622	8099	7569	7013	6380	4638	2473
	30EW624D11	2	2.08	1140	33	11633	11037	10430	9800	9131	7122	5298
36	36EW416D08	1	0.90	860	24	12105	10880	9528	7933	6216		
	36EW420D08	1	1.13	860	26	13694	12546	11144	9447	7665		
	36EW616D08	1-1/2	1.23	860	21	12058	11090	10199	9069	7895	5080	
	36EW632D08	3	2.95	860	42	19974	18974	17952	16790	14727	10507	
	36EW416D11	2	2.09	1140	38	16047	15131	14190	13186	12076	9572	6875
	36EW420D11	3	2.66	1140	41	18152	17304	16403	15372	14166	11564	8765
	36EW616D11	3	2.87	1140	32	15984	15240	14534	13871	13164	11364	9575
42	42EW416D08	2	1.92	860	32	18831	17386	15803	13981	12147	7888	
	42EW420D08	3	2.39	860	35	21489	20001	18325	16418	14287	9711	
	42EW616D08	3	2.58	860	40	18189	17124	16057	14932	13653	10727	7958
	42EW624D08	5	4.45	860	45	25360	24199	23018	21757	19991	17014	12921
	42EW416D11	5	4.44	1140	53	24963	23882	22772	21595	20303	17544	14512
	42EW420D11	5	5.55	1140	57	28485	27377	26228	24980	23617	20619	17385
48	48EW616D11	7-1/2	5.98	1140	66	24111	23308	22505	21700	20888	19104	17173
	48EW616D06	3	2.41	680	35	22168	20709	19225	17463	15404	11029	
	48EW624D06	5	4.10	680	28	30038	28426	26714	24743	22394	17423	
	48EW420D08	5	4.55	860	46	31976	30003	28173	26396	24439	19589	13718
	48EW616D08	5	4.90	860	52	28036	26884	25726	24554	23285	20124	16801
	48EW624D08	7-1/2	8.30	860	39	37989	36722	35426	34068	32598	29072	25349
	48EW416D11	10	8.24	1140	90	36197	35151	34056	32838	31370	28305	25322
	48EW616D11	10	10.53	1140	94	37164	36295	35425	34552	33676	31878	29790
54	54EW430D06	7-1/2	6.52	680	40	44959	42274	39329	35122	30723	20845	
	54EW432D06	7-1/2	7.18	680	42	46679	44149	41249	37626	32881	21640	
	54EW626D06	7-1/2	7.64	680	50	44542	42702	40658	38057	35244	29178	19218
	54EW632D06	10	9.75	680	26	51687	49363	47108	44914	42383	34182	23139
	54EW432D08	15	14.51	860	62	59036	57058	54987	52672	50001	43263	34814
	54EW624D08	15	13.47	860	55	52801	51296	49713	47953	46008	41801	37305

Performance shown is for Installation Type A: free inlet, free outlet. PPerformance ratings do not include the effects of appurtenances (accessories) in the airstream. The sound ratings shown are loudness values in hemispherical sones at 1.5m (5 ft) in a hemispherical free field calculated per AMCA Standard 301. Values shown are for Installation Type A: free inlet hemispherical sone levels. Model EWD is not licensed to bear the AMCA Seal.

XLW / XMW Belt Drive 20-24

Fan Size	Catalog Number	HP	Max. BHP	Fan RPM	FA Sones	CFM at Static Pressure									
						0.000	0.100	0.125	0.250	0.375	0.500	0.625	0.750	1.000	
20	20XLW / 20XLWH	1/4	0.17	748	11.2	3549	2915	2615							
			0.20	794	12.7	3768	3196	2966							
			0.25	841	14.3	3991	3462	3289	1042						
		1/3	0.28	885	15.9	4199	3701	3558	1734						
			0.32	930	17.5	4413	3940	3814	2468						
			0.40	998	19.8	4736	4294	4183	3212						
		1/2	0.49	1067	22	5063	4648	4547	3769	1841					
			0.61	1147	25	5443	5054	4962	4368	3134					
			0.75	1228	28	5827	5462	5375	4891	3983	2064				
	20XMW / 20XMWH	1/4	0.17	887	13.2	3355	2912	2795	1770						
			0.21	942	14.7	3563	3147	3039	2300						
			0.24	997	16.2	3771	3379	3279	2664	1355					
		1/3	0.29	1049	17.7	3967	3596	3501	2958	1743					
			0.33	1102	19.3	4168	3815	3725	3232	2353					
			0.41	1184	22	4478	4150	4067	3629	3030	1790				
		1/2	0.50	1265	25	4784	4478	4400	4000	3515	2631	1609			
			0.63	1361	28	5147	4863	4791	4425	4015	3457	2313			
			0.77	1456	32	5507	5241	5174	4834	4472	4032	3366	2238		
24	24XLW / 24XLWH	1/4	0.17	599	9.7	4703	3771	3340							
			0.20	636	10.8	4993	4157	3841							
			0.23	673	12.0	5284	4524	4251							
		1/3	0.28	709	13.3	5566	4867	4627	1899						
			0.33	744	14.6	5841	5190	4976	2920						
			0.41	799	16.8	6273	5682	5500	3779						
		1/2	0.49	854	18.9	6705	6161	6003	4842	1778					
			0.62	918	21	7207	6707	6569	5643	3779					
			0.77	983	24	7718	7255	7130	6341	4687	1968				
	3/4	0.87	1033	26	8110	7672	7555	6848	5694	3345					
		1.03	1084	28	8511	8095	7985	7345	6444	4752	1869				
		24XMW / 24XMWH	1/4	0.17	753	13.4	4233	3550	3365	1969					
	0.20			799	14.9	4491	3852	3681	2495						
	0.24			846	16.5	4755	4154	3996	3062	1610					
	1/3		0.29	890	18.0	5003	4433	4285	3450	2067					
			0.33	935	19.6	5256	4715	4575	3808	2543					
			0.41	1005	22	5649	5147	5019	4331	3415	2137				
	1/2		0.50	1074	24	6037	5568	5449	4822	4091	2878	1909			
0.62			1154	27	6487	6051	5941	5368	4732	3860	2724	1866			
0.76			1235	30	6942	6536	6433	5905	5335	4679	3585	2661			
3/4	0.90	1299	33	7302	6916	6818	6321	5791	5204	4427	3356				
	1.01	1363	36	7662	7294	7201	6730	6234	5695	5076	4047	2457			

Heavy duty power assembly (XLWH/XMWH) required for performance in shaded area. Performance shown is for Installation Type A: free inlet, free outlet. Power rating (BHP) does not include transmission losses. Performance ratings do not include the effects of appurtenances (accessories) in the airstream. The sound ratings shown are loudness values in hemispherical sones at 1.5m (5 ft) in a hemispherical free field calculated per AMCA Standard 301. Values shown are for Installation Type A: free inlet hemispherical sone levels. Sones shown apply to the highest cataloged CFM at each fan RPM.

XLW / XMW Belt Drive 30-36

Fan Size	Catalog Number	HP	Max. BHP	Fan RPM	FA Sones	CFM at Static Pressure									
						0.000	0.100	0.125	0.250	0.375	0.500	0.625	0.750	1.000	
30	30XLW / 30XLWH	1/4	0.16	388	7.0	6273	3712	2190							
			0.20	412	7.7	6661	4452	3441							
			0.23	436	8.5	7049	5162	4217							
		1/3	0.26	459	9.3	7421	5731	4925							
			0.30	482	10.1	7793	6242	5622							
		1/2	0.41	518	11.5	8375	6987	6518	2290						
			0.48	553	13.1	8941	7677	7277	3235						
		3/4	0.59	595	15.1	9620	8472	8128	5293						
			0.76	636	17.0	10283	9227	8922	6554	2852					
		1	0.84	668	18.5	10800	9806	9524	7553	3675					
			0.98	701	20	11333	10393	10133	8466	5438					
		1-1/2	1.23	753	23	12174	11307	11073	9672	7239	3779				
			1.56	805	25	13015	12209	11996	10764	8847	6048	3062			
		2	1.74	846	28	13678	12914	12714	11584	10042	7633	4328			
	2.08		887	30	14341	13614	13426	12380	11056	8888	5741	3605			
	3	2.44	953	34	15408	14734	14560	13623	12504	10931	8759	5440			
		3.16	1018	38	16459	15829	15668	14815	13830	12620	10750	8747	3859		
	30	30XMW / 30XMWH	1/4	0.15	480	7.5	5732	4181	3673						
				0.17	506	8.2	6042	4597	4158						
				0.19	531	8.9	6341	4980	4582						
			1/3	0.28	559	9.8	6675	5394	5034	2373					
				0.31	588	10.7	7021	5809	5482	2812					
			1/2	0.36	631	12.1	7535	6408	6118	3746					
				0.49	674	13.6	8048	6993	6728	5094	2729				
			3/4	0.58	725	15.5	8657	7675	7431	6043	3518				
				0.76	776	17.4	9266	8348	8120	6888	4721	3110			
			1	0.84	816	18.8	9744	8870	8653	7516	6030	3744			
				1.03	856	20	10222	9388	9181	8120	6836	4370	3259		
1-1/2			1.20	919	23	10974	10197	10003	9033	7924	6338	4285			
			1.49	982	25	11726	10999	10817	9915	8936	7774	5410	4324		
2			1.67	1032	27	12323	11631	11458	10601	9700	8660	7227	5081		
	2.08	1082	29	12920	12260	12095	11277	10438	9491	8388	6108	4107			
3	2.27	1128	32	13470	12836	12678	11892	11098	10226	9236	7839	4902			
	2.49	1175	34	14031	13422	13270	12515	11759	10950	10040	8981	5609			
36	36XLW / 36XLWH	1/4	0.17	304	5.7	8276	3270								
			0.21	323	6.3	8793	5169	2520							
			0.24	342	7.0	9311	6045	3761							
		1/3	0.28	360	7.7	9801	6891	5722							
			0.32	379	8.4	10318	7679	6602							
		1/2	0.40	407	9.5	11080	8698	7904							
			0.49	434	10.7	11815	9636	8971							
		3/4	0.61	467	12.1	12714	10783	10142	4393						
			0.76	500	13.7	13612	11917	11284	7422						
		1	0.86	526	15.0	14320	12778	12191	8888						
			1.03	552	16.5	15028	13610	13085	10090	3871					
		1-1/2	1.23	592	18.6	16117	14845	14412	11862	6497					
			1.56	633	21	17233	16073	15710	13380	10375	4223				
		2	1.75	665	23	18104	17014	16693	14501	11833	6517				
	2.02		698	25	19003	17975	17681	15644	13383	8273					
	3	2.49	749	28	20391	19443	19183	17418	15438	12799	7603				
		3.10	800	31	21779	20899	20664	19157	17258	15180	12511	6902			
	5	3.62	848	35	23086	22260	22041	20728	18922	17192	14788	9741			
		4.40	895	39	24366	23585	23382	22211	20555	18916	16999	14663	5961		
	36	36XMW / 36XMWH	1/4	0.16	350	7.4	7778	4625	2977						
				0.20	374	8.4	8311	5490	4125						
				0.22	397	9.5	8822	6345	5377						
			1/3	0.25	418	10.7	9289	7041	6133						
				0.29	439	11.9	9755	7669	6919						
			1/2	0.40	471	13.9	10466	8556	7986	3523					
				0.48	504	15.7	11200	9419	8949	4492					
			3/4	0.59	542	17.9	12044	10375	9974	6859					
				0.75	580	20	12888	11312	10949	8262	4403				
1			0.86	610	22	13555	12043	11700	9384	5270					
			1.02	640	24	14222	12768	12440	10457	6402	4210				
1-1/2			1.24	688	28	15288	13920	13609	11950	9326	5601				
			1.53	735	32	16333	15040	14743	13268	11037	7186	5294			
2			1.81	773	35	17177	15942	15653	14275	12434	9973	6372	4783		
	2.04	810	38	17999	16815	16536	15225	13651	11320	7554	5938				
3	2.48	870	44	19333	18224	17960	16728	15418	13545	11372	7685				
	3.09	930	51	20666	19625	19373	18202	17045	15596	13537	11458	6705			
5	3.17	939	52	20866	19834	19585	18421	17282	15879	13876	11889	6961			
	3.26	948	53	21066	20044	19796	18640	17516	16155	14215	12264	7214			

Heavy duty power assembly (XLWH/XMWH) required for performance in shaded area. Performance shown is for Installation Type A: free inlet, free outlet. Power rating (BHP) does not include transmission losses. Performance ratings do not include the effects of appurtenances (accessories) in the airstream. The sound ratings shown are loudness values in hemispherical sones at 1.5m (5 ft) in a hemispherical free field calculated per AMCA Standard 301. Values shown are for Installation Type A: free inlet hemispherical sone levels. Sones shown apply to the highest cataloged CFM at each fan RPM.

AWB Belt Drive 24-48

Fan Size	HP	Max. BHP	Fan RPM	FA Sones	CFM at Static Pressure				
					0.000	0.125	0.250	0.375	0.500
24	1/4	0.24	795	14.3	4582	3563			
	1/3	0.33	879	17.2	5066	4236	2744		
	1/2	0.51	1009	22	5815	5164	4114	2921	
	3/4	0.77	1161	28	6691	6155	5340	4393	3351
	1	1.02	1281	33	7382	6908	6276	5398	4246
	1-1/2	1.54	1471	41	8477	8072	7598	6936	6169
30	1/3	0.32	604	13.7	6904	5002			
	1/2	0.49	694	17.7	7932	6555	3899		
	3/4	0.75	799	23	9133	8082	6220	4107	
	1	1.04	881	27	10070	9154	7516	5942	4326
	1-1/2	1.53	1012	34	11567	10794	9754	8131	6734
	2	2.03	1115	41	12744	12051	11226	9833	8565
36	1/2	0.49	524	15.1	10200	7525			
	3/4	0.75	603	19.0	11737	9728	5733		
	1	0.96	665	22	12944	11238	7815		
	1-1/2	1.51	764	27	14871	13470	11343	7711	
	2	2.06	842	32	16390	15148	13482	10716	7853
	3	3.04	966	41	18803	17739	16488	14764	12121
42	3/4	0.76	469	19.2	14724	11854			
	1	1.01	518	23	16263	13725	8855		
	1-1/2	1.56	595	27	18680	16514	13880	7901	
	2	2.07	655	31	20564	18616	16436	12668	
	3	3.14	752	40	23609	21930	20128	18044	14285
	5	5.27	894	57	28067	26665	25203	23653	21926
48	1	0.96	443	22	19433	16172	8530		
	1-1/2	1.54	509	29	22328	19640	15485	8808	
	2	1.92	561	33	24609	22219	19046	12756	
	3	2.91	644	40	28250	26203	23824	20476	14295
	5	4.89	766	55	33602	31899	30084	27938	25170
	7-1/2	7.26	878	74	38515	37036	35502	33836	31898

Performance shown is for Installation Type A: free inlet, free outlet. Power rating (BHP) does not include transmission losses. Performance ratings do not include the effects of appurtenances (accessories) in the airstream. The sound ratings shown are loudness values in hemispherical sones at 1.5m (5 ft) in a hemispherical free field calculated per AMCA Standard 301. Values shown are for Installation Type A: free inlet hemispherical sone levels.

EWB Belt Drive 24-42

Fan Size	Catalog Number	HP	Max. BHP	Fan RPM	FA Sones	CFM at Static Pressure										
						0.000	0.125	0.250	0.375	0.500	0.750	1.000	1.250	1.500		
24	24EW420B	1/2	0.54	1252	22	5996	5453	4872	4181	3091						
	24EW614B	1/2	0.53	1281	23	4968	4618	4221	3822	3333	1758					
	24EW420B	3/4	0.81	1434	27	6867	6394	5910	5364	4745						
	24EW616B	3/4	0.81	1398	26	5946	5604	5250	4892	4528	3485	1798				
	24EW430B	1	1.08	1319	30	8373	7808	7168	6442	5735						
	24EW620B	1	1.08	1412	28	7046	6739	6410	6026	5585	4493	2906				
	24EW430B	1-1/2	1.62	1510	38	9585	9096	8569	7970	7332	5262					
	24EW622B	1-1/2	1.62	1554	33	8339	8047	7739	7390	6997	6180	4896	3088			
24EW624B	2	2.16	1641	37	9493	9155	8817	8481	8141	7386	6340	5144	2932			
30	30EW424B	3/4	0.81	936	23	9157	8218	7127	5631	3949						
	30EW614B	3/4	0.81	1058	26	7296	6724	6104	5480	4754	2452					
	30EW424B	1	1.08	1030	27	10076	9244	8246	7212	5519	2561					
	30EW614B	1	1.07	1164	30	8027	7510	6956	6388	5814	4187	2312				
	30EW424B	1-1/2	1.62	1180	32	11544	10832	9997	9134	8190	5383	2822				
	30EW618B	1-1/2	1.62	1213	33	10041	9480	8936	8403	7843	6269	4851	2516			
	30EW428B	2	2.15	1220	38	13083	12332	11549	10666	9612	6872	4484	2257			
	30EW618B	2	2.15	1335	38	11051	10540	10040	9556	9067	7953	6258	5091	2841		
30EW430B	3	3.22	1342	49	15217	14589	13916	13131	12105	9633	7714	4708	2973			
30EW624B	3	3.24	1317	40	13439	12924	12403	11871	11323	10123	8237	6768	3931			
36	36EW424B	1	1.07	770	23	14197	12854	11149	9030	6265						
	36EW614B	1	1.08	868	21	10983	10136	9284	8314	7080						
	36EW424B	1-1/2	1.61	881	28	16244	15094	13739	12087	10202						
	36EW614B	1-1/2	1.61	993	26	12564	11824	11086	10319	9441	7264					
	36EW426B	2	2.15	943	33	18147	17035	15854	14475	12741	8146					
	36EW614B	2	2.15	1094	30	13842	13170	12500	11824	11100	9291					
	36EW432B	3	3.24	966	42	21550	20424	19114	17724	16413	11132					
	36EW616B	3	3.23	1186	35	16629	15913	15229	14587	13932	12246	10550				
36EW430B	5	5.40	1204	59	21273	20445	19661	18813	17842	15440	12579	9899				
36EW620B	5	5.39	1289	42	20838	20291	19732	19150	18524	17086	15385	13546	11622			
42	42EW424B	1-1/2	1.58	688	25	19609	17721	15418	12174	9075						
	42EW614B	1-1/2	1.61	761	23	15228	13979	12680	11354	9890	6788					
	42EW422B	2	2.15	780	29	21292	19705	17810	15708	12769	7016					
	42EW614B	2	2.14	838	27	16768	15637	14470	13274	12054	9147					
	42EW428B	3	3.23	808	37	25597	23827	21956	19918	17200	11221					
	42EW614B	3	3.23	960	33	19210	18225	17220	16187	15141	12948	10356	6402			
	42EW424B	5	5.34	1028	48	29299	28090	26801	25334	23763	19883	15346	11826			
	42EW618B	5	5.36	1046	40	24316	23496	22620	21596	20492	18619	16382	13637	11324		
42EW428B	7-1/2	8.07	1098	63	34785	33490	32175	30814	29395	26288	21793	17091	13585			
42EW620B	7-1/2	8.07	1147	47	28966	28154	27323	26454	25514	23568	21730	19451	16968			

Performance shown is for Installation Type A: free inlet, free outlet. Power rating (BHP) does not include transmission losses. Performance ratings do not include the effects of appurtenances (accessories) in the airstream. The sound ratings shown are loudness values in hemispherical sones at 1.5m (5 ft) in a hemispherical free field calculated per AMCA Standard 301. Values shown are for Installation Type A: free inlet hemispherical sone levels.

EWB Belt Drive 48-72

Fan Size	Catalog Number	HP	Max. BHP	Fan RPM	FA Sones	CFM at Static Pressure								
						0.000	0.125	0.250	0.375	0.500	0.750	1.000	1.250	1.500
48	48EW412B	2	2.15	805	35	21624	19999	17902	15943	13635	9100			
	48EW624B	2	2.13	547	21	24163	22131	19743	16817	13544				
	48EW414B	3	3.21	875	41	25584	24164	22530	20573	18660	14718	9477		
	48EW628B	3	3.22	584	25	28685	27052	24871	21913	18681				
	48EW414B	5	5.37	1037	54	30321	29135	27872	26399	24733	21488	18173	14363	8684
	48EW628B	5	5.31	692	32	33990	32636	31113	28999	26492	21095	12939		
	48EW414B	7-1/2	8.10	1188	69	34736	33705	32637	31479	30154	27269	24436	21544	18481
	48EW628B	7-1/2	8.04	793	39	38951	37779	36532	35067	33098	28697	23887	16567	8228
	48EW418B	10	10.80	1190	74	41185	40035	38867	37663	36397	33542	30179	26853	23570
48EW632B	10	10.75	830	48	44619	43347	42024	40574	38855	34382	29163	23196	13992	
54	54EW432B	3	3.20	520	28	35696	32239	27393	20543	11960				
	54EW626B	3	3.22	509	26	33341	30791	27269	23414	18862				
	54EW432B	5	5.36	617	36	42355	39537	36105	31529	25640				
	54EW632B	5	5.35	556	19.5	42262	39437	36740	33303	28010	13601			
	54EW430B	7-1/2	8.06	729	45	48199	45701	43038	39739	35193	26445	14797		
	54EW626B	7-1/2	8.03	691	40	45263	43453	41458	38947	36165	30280	21058		
	54EW430B	10	10.75	803	53	53091	50832	48475	45849	42293	34801	26188	14357	
	54EW624B	10	10.72	797	48	48933	47304	45554	43569	41386	36710	31789	24736	14800
	54EW432B	15	16.16	891	67	61164	59257	57270	55089	52599	46482	38365	29929	19349
54EW622B	15	16.16	941	62	49004	47754	46451	45027	43460	40052	36681	33521	29182	
60	60EW422B	5	5.36	614	36	48373	44730	41391	37509	32199	16013			
	60EW622B	5	5.29	541	31	46030	42994	39981	36374	32333	22401			
	60EW428B	7-1/2	8.07	629	42	58267	54860	51030	46897	42176	25278			
	60EW620B	7-1/2	7.95	646	39	51314	49062	46748	44278	41395	34333	26078		
	60EW428B	10	10.75	692	49	64103	61024	57680	53958	50176	37434			
	60EW622B	10	10.71	683	45	58112	55698	53319	50937	48328	42007	34142	26056	
	60EW428B	15	16.08	792	61	73367	70691	67888	64806	61523	54593	41610	28990	
	60EW622B	15	16.15	782	56	66536	64425	62332	60268	58175	53331	47727	41183	34128
	60EW428B	20	21.51	872	73	80778	78354	75853	73180	70279	64309	57087	43585	32650
60EW624B	20	21.52	838	66	73948	72193	70410	68566	66614	62354	57873	52302	44459	
72	72EW622B	5	5.13	423	31	56905	52293	47119	40554	26390				
	72EW622B	7-1/2	7.75	485	37	65246	61242	57058	51879	46195	22768			
	72EW622B	10	10.11	534	43	41837	68208	64484	60369	55115	39328			
	72EW620B	15	15.78	632	55	82489	79643	76568	72805	68006	59356	47198		
72EW622B	20	20.97	674	64	90671	87804	84907	81949	78854	71191	63081			

Performance shown is for Installation Type A: free inlet, free outlet. Power rating (BHP) does not include transmission losses. Performance ratings do not include the effects of appurtenances (accessories) in the airstream. The sound ratings shown are loudness values in hemispherical sones at 1.5m (5 ft) in a hemispherical free field calculated per AMCA Standard 301. Values shown are for Installation Type A: free inlet hemispherical sone levels.

XPD Direct Drive 8-14

Fan Size	Catalog Number	HP	Max. Watts	Fan RPM	FA Sones	CFM at Static Pressure								
						0.000	0.050	0.100	0.125	0.150	0.200	0.250	0.300	0.375
8	8XP21D15	1/25	34	1550	3.7	220	164							
	8XP24D15	1/25	40	1550	4.7	299	240	196						
	8XP28D15	1/25	40	1550	5.6	333	264	188						
	8XP38D15	1/25	46	1550	6.1	419	298							
10	10XP24D10	1/25	72	1075	3.9	422	309							
	10XP24D103	1/20	57	1075	1.9	571	499	421	367	311				
	10XP24D133	1/20	63	1300	3.1	585	518	453	408	368				
	10XP24D15	1/20	90	1550	5.2	613	556	503	474	440				
	10XP24D153	1/20	110	1550	5.1	620	560	513	487	459				
	10XP28D10	1/25	73	1075	3.7	459	342							
	10XP28D103	1/20	56	1075	2.0	599	534	453	391					
	10XP28D133	1/20	64	1300	3.2	622	562	475	426	375				
	10XP28D15	1/20	94	1550	5.4	675	622	566	536	503				
	10XP28D153	1/20	112	1550	5.4	668	616	558	520	477				
	10XP40D103	1/6	70	1075	3.1	767	718	653	560					
	10XP40D133	1/6	85	1300	4.5	821	779	728	689	609				
	10XP40D15	1/8	95	1550	6.4	890	847	796	759	688				
	10XP40D153	1/6	160	1550	6.5	875	825	773	742	689				
10XP41D15	1/20	144	1550	6.8	872	828	776	741	687	524				
12	12XP26D103	1/6	78	1075	3.5	981	912	834	792	748	614			
	12XP26D132	1/4	118	1300	4.9	1098	1046	990	959	926	854	776	687	
	12XP26D133	1/6	90	1300	5.0	1056	994	927	891	853	770	680		
	12XP26D15	1/8	91	1550	7.4	1092	1041	984	951	915	845	769		
	12XP26D152	1/4	121	1550	6.4	1106	1059	1008	980	948	876	797	714	
	12XP26D153	1/6	171	1550	7.0	1083	1031	977	948	918	852	770		
	12XP32D10	1/6	90	1075	4.3	890	832	729	628					
	12XP32D103	1/6	88	1075	3.9	1122	1006	908	842	760				
	12XP32D132	1/4	136	1300	5.5	1270	1227	1179	1151	1115	1018	912		
	12XP32D133	1/6	107	1300	5.5	1190	1129	1065	1029	988	862			
	12XP32D15	1/8	122	1550	7.5	1275	1224	1168	1134	1092	996	900		
	12XP32D152	1/4	148	1550	8.0	1303	1252	1198	1168	1134	1054	966	862	
	12XP32D153	1/6	184	1550	7.4	1267	1221	1172	1144	1112	1024	914		
	12XP36D10	1/6	94	1075	4.6	994	912	792	702					
	12XP36D103	1/6	97	1075	4.3	1127	1013	883	775					
	12XP36D132	1/4	160	1300	5.8	1424	1368	1311	1282	1252	1184	1061	917	
	12XP36D133	1/6	123	1300	6.6	1235	1170	1090	1033	958	805			
	12XP36D152	1/4	173	1550	9.1	1432	1385	1335	1309	1281	1215	1108	962	
12XP36D153	1/6	203	1550	8.9	1379	1324	1268	1238	1207	1129	974	821		
12XP40D15	1/6	222	1550	9.0	1474	1422	1367	1336	1302	1212				
14	14XP20D082	1/6	79	860	4.0	934	863	781	732	681				
	14XP20D10	1/25	97	1075	6.6	931	807	731	693	627				
	14XP20D102	1/6	118	1075	6.5	955	868	793	752	705				
	14XP20D132	1/4	167	1300	8.4	1315	1265	1213	1186	1158	1098	1036	965	834
	14XP20D15	1/8	157	1550	12.3	1280	1228	1176	1149	1122	1065	999	921	
	14XP20D152	1/4	196	1550	12.6	1334	1289	1242	1217	1191	1135	1076	1016	882
	14XP26D082	1/6	93	860	4.0	1216	1139	1069	1034	990	799			
	14XP26D10	1/6	105	1075	6.2	1216	1158	1091	1049	1000	863			
	14XP26D102	1/6	131	1075	6.7	1228	1168	1096	1046	991	864			
	14XP26D132	1/4	204	1300	8.1	1667	1622	1576	1551	1526	1469	1401	1310	1114
	14XP26D152	1/4	231	1550	11.4	1714	1670	1626	1603	1579	1528	1470	1402	1259
	14XP32D132	1/4	244	1300	8.2	1969	1904	1837	1801	1762	1675	1580	1486	
	14XP32D152	1/4	269	1550	12.0	2070	2014	1956	1926	1894	1823	1740	1655	
	14XP40D132	1/3	341	1300	10.1	2254	2164	2073	2025	1976	1858	1626		
14XP40D152	1/3	405	1550	15.3	2461	2400	2338	2305	2270	2191	2091	1918		

Performance shown is for Installation Type A: free inlet, free outlet. Performance ratings do not include the effects of appurtenances (accessories) in the airstream. The sound ratings shown are loudness values in hemispherical sones at 1.5m (5 ft) in a hemispherical free field calculated per AMCA Standard 301. Values shown are for Installation Type A: free inlet hemispherical sone levels. Model XPD is not licensed to bear the AMCA Seal.

XPD Direct Drive 16-24

Fan Size	Catalog Number	HP	Max. Watts	Fan RPM	FA Sones	CFM at Static Pressure									
						0.000	0.050	0.100	0.125	0.150	0.200	0.250	0.300	0.375	0.500
16	16XP21D082	1/6	144	860	5.1	1441	1364	1275	1218	1155	1033	886			
	16XP21D10	1/6	161	1075	7.7	1465	1392	1311	1263	1207	1078	951			
	16XP21D102	1/6	187	1075	7.7	1489	1416	1335	1288	1232	1098	964	825		
	16XP21D132	1/4	274	1300	10.4	1964	1898	1832	1797	1762	1688	1600	1472	1261	
	16XP21D152	1/4	331	1550	14.0	2048	1995	1941	1913	1884	1819	1744	1659	1521	1253
	16XP26D082	1/6	161	860	4.9	1713	1621	1524	1472	1414	1245				
	16XP26D10	1/6	177	1075	7.5	1747	1662	1572	1524	1471	1330				
	16XP26D102	1/6	200	1075	7.4	1783	1706	1624	1579	1527	1396	1211			
	16XP26D132	1/3	340	1300	10.8	2266	2197	2125	2087	2046	1954	1841	1698		
	16XP26D152	1/3	392	1550	14.3	2451	2398	2343	2315	2287	2226	2158	2081	1946	
	16XP28D082	1/6	175	860	5.1	1849	1738	1624	1564	1497	1297				
	16XP28D102	1/6	210	1075	7.6	1895	1816	1730	1682	1626	1485	1262			
	16XP28D132	1/2	416	1300	10.1	2598	2530	2460	2424	2386	2303	2207	2097	1903	
	16XP28D152	1/2	490	1550	13.5	2732	2679	2624	2597	2568	2510	2445	2374	2247	1940
	16XP36D072	1/3	228	750	4.1	2236	2134	2018	1946	1858	1634				
	16XP36D102	1/3	293	1075	7.7	2368	2273	2173	2118	2059	1923	1730			
16XP36D132	3/4	556	1300	12.9	3168	3101	3032	2997	2960	2879	2784	2665	2433		
16XP36D152	3/4	682	1550	15.9	3428	3365	3300	3267	3233	3162	3083	2991	2830	2534	
18	18XP24D082	1/6	165	860	5.8	2212	2099	1964	1873	1772					
	18XP24D102	1/6	212	1075	8.3	2335	2240	2144	2096	2046	1935	1739			
	18XP24D132	1/2	482	1300	12.6	3047	2966	2883	2840	2794	2694	2575	2434	2132	
	18XP24D152	1/2	553	1550	15.1	3275	3218	3161	3132	3102	3040	2974	2901	2773	2451
	18XP29D082	1/3	226	860	5.6	2712	2581	2439	2359	2271	2072				
	18XP29D102	1/3	282	1075	9.1	2862	2761	2657	2604	2548	2428				
	18XP29D132	3/4	565	1300	11.1	3687	3596	3504	3456	3408	3308	3200	3081	2869	
	18XP29D152	3/4	704	1550	14.6	3887	3820	3753	3718	3684	3612	3536	3455	3318	3034
	18XP34D082	1/3	266	860	6.3	2853	2683	2510	2420	2319	2016				
	18XP34D102	1/3	342	1075	9.4	3145	3033	2917	2856	2793	2654	2499	2273		
	18XP34D132	3/4	663	1300	13.2	3879	3771	3660	3604	3546	3426	3291	3117	2735	
	18XP34D152	3/4	823	1550	16.7	4288	4219	4150	4114	4077	3999	3912	3810	3615	3297
20	20XP24D072	1/3	236	750	4.9	2851	2716	2571	2490	2395	2110				
	20XP24D10	1/3	320	1075	9.5	2961	2844	2724	2660	2594	2448	2263	2059		
	20XP24D102	1/3	307	1075	9.2	3049	2946	2838	2781	2719	2577	2386	2126		
	20XP24D132	3/4	563	1300	13.0	3664	3569	3472	3423	3373	3270	3158	3029	2745	
	20XP24D152	3/4	746	1550	16.3	3864	3797	3728	3693	3657	3582	3498	3401	3225	2912
	20XP28D072	1/3	269	750	5.4	3116	2933	2746	2644	2514					
	20XP28D10	1/3	359	1075	9.9	3357	3242	3122	3058	2991	2836	2638			
	20XP28D102	1/3	347	1075	10.0	3419	3311	3199	3141	3078	2937	2730			
	20XP28D132	3/4	633	1300	13.6	3953	3837	3719	3659	3599	3475	3334	3130		
	20XP28D152	3/4	840	1550	18.0	4378	4297	4215	4175	4133	4050	3965	3877	3733	3360
	20XP32D072	3/4	394	750	6.0	3719	3576	3428	3350	3268	3079	2797			
	20XP32D10	1/2	448	1075	11.0	3857	3755	3647	3590	3528	3379	3170	2891		
	20XP32D102	3/4	623	1075	11.3	3975	3838	3701	3633	3565	3427	3272	3020		
	20XP36D072	3/4	441	750	6.5	3961	3800	3634	3547	3454	3236	2837			
20XP36D10	1/2	517	1075	11.9	4106	3988	3866	3802	3734	3584	3390	3033			
20XP36D102	3/4	675	1075	11.9	4187	4065	3941	3876	3810	3669	3500	3214			
24	24XP28D072	3/4	592	750	7.2	5083	4785	4420	4173	3908	3358				
	24XP28D102	3/4	908	1075	12.7	6054	5882	5704	5611	5512	5292	5030	4734	4287	
	24XP32D072	3/4	627	750	8.1	5013	4616	4075	3617	3128					
	24XP32D10	3/4	1015	1075	15.8	6675	6496	6309	6209	6101	5837	5445	4925	4379	
	24XP32D102	3/4	1055	1075	14.6	6696	6531	6361	6270	6173	5948	5635	5202	4615	

Performance shown is for Installation Type A: free inlet, free outlet. Performance ratings do not include the effects of appurtenances (accessories) in the airstream. The sound ratings shown are loudness values in hemispherical sones at 1.5m (5 ft) in a hemispherical free field calculated per AMCA Standard 301. Values shown are for Installation Type A: free inlet hemispherical sone levels. Model XPD is not licensed to bear the AMCA Seal.

XPDEC

Fan Size	Catalog Number	HP	Fan RPM	FA Sones	Max. Watts	CFM at Static Pressure											
						0.000	0.050	0.100	0.125	0.150	0.200	0.250	0.300	0.375	0.500	0.625	0.750
10	10XP24D17EC	1/4	1725	6.4	41	585	549	504	467	421	370						
	10XP28D17EC		1725	6.5	45	616	580	538	512	474	401						
	10XP40D17EC		1725	7.9	74	818	776	730	702	665							
12	12XP26D17EC	1/4	1725	9.1	84	1087	1042	992	961	927	859	794	698				
	12XP32D17EC		1725	10.2	110	1245	1202	1157	1133	1107	1042	940	819				
	12XP36D17EC		1725	10.4	148	1375	1332	1287	1261	1231	1150	1037	912	752			
	12XP40D17EC		1725	12.1	154	1524	1480	1433	1409	1383	1323	1241	1099				
14	14XP20D17EC	1/4	1725	14.2	134	1328	1279	1229	1204	1178	1124	1068	1008	912			
	14XP26D17EC		1725	13.2	186	1796	1743	1689	1662	1635	1579	1521	1459	1348			
	14XP32D17EC		1725	13.5	242	2072	2027	1981	1957	1932	1877	1814	1740	1618			
	14XP40D17EC	1/2	1725	15.7	346	2490	2433	2375	2345	2314	2248	2173	2084	1889			
16	16XP21D17EC	1/2	1725	17.7	283	2092	2046	1999	1975	1952	1903	1853	1800	1716	1536		
	16XP26D17EC		1725	19.6	378	2548	2493	2437	2410	2383	2329	2276	2223	2139	1958	1586	
	16XP28D17EC		1725	18.4	413	2808	2756	2704	2678	2651	2598	2544	2488	2398	2191		
	16XP36D17EC		1725	22	574	3402	3346	3290	3261	3231	3168	3097	3014	2868	2637	2174	
18	18XP24D17EC	3/4	1725	18.7	493	3237	3179	3121	3093	3065	3009	2955	2902	2821	2659	2219	
	18XP29D17EC		1725	19.5	647	3877	3817	3757	3727	3696	3636	3576	3515	3422	3246	2872	
	18XP34D16EC	1	1650	17.9	688	4123	4062	4000	3969	3937	3872	3804	3729	3602	3349	3025	
20	20XP24D16EC	1	1650	18.9	555	3778	3718	3656	3625	3593	3527	3456	3377	3238	2945	2603	
	20XP28D16EC		1650	19.6	685	4292	4226	4160	4126	4093	4023	3951	3874	3747	3477	3081	

Performance shown is for Installation Type A: free inlet, free outlet. Performance ratings do not include the effects of appurtenances (accessories) in the airstream. The sound ratings shown are loudness values in hemispherical sones at 1.5m (5 ft) in a hemispherical free field calculated per AMCA Standard 301. Values shown are for Installation Type A: free inlet hemispherical sone levels. Model XPDEC is not licensed to bear the AMCA Seal.

XPHD Direct Drive 12-16

Fan Size	Catalog Number	HP	Max. BHP	Fan RPM	FA Sones	CFM at Static Pressure											
						0.000	0.050	0.100	0.125	0.150	0.200	0.250	0.300	0.375	0.500	0.625	0.750
12	12XPH26D08	1/6	0.01	860	4.1	534	440										
	12XPH26D11	1/6	0.03	1140	6.0	707	645	550									
	12XPH26D17	1/6	0.10	1725	11.1	1070	1030	988	966	942	884	779					
	12XPH32D08	1/6	0.02	860	4.5	622	528										
	12XPH32D11	1/6	0.04	1140	6.9	824	762	671	575								
	12XPH32D17	1/6	0.14	1725	12.4	1247	1207	1166	1144	1119	1061	970	835				
	12XPH36D08	1/6	0.02	860	4.6	683	572										
	12XPH36D17	1/6	0.17	1725	13.4	1370	1320	1268	1241	1213	1149	1065	947				
14	14XPH20D08	1/6	0.02	860	6.5	655	561	429									
	14XPH20D11	1/6	0.05	1140	8.8	868	795	726	683	628							
	14XPH20D17	1/4	0.18	1725	17.3	1314	1264	1216	1193	1171	1126	1077	1015	900			
	14XPH26D08	1/6	0.03	860	6.8	839	758	575									
	14XPH26D11	1/6	0.07	1140	11.1	1113	1055	987	943	875							
	14XPH26D17	1/4	0.23	1725	20	1684	1646	1607	1587	1567	1522	1472	1408	1231			
	14XPH32D08	1/6	0.04	860	6.1	1051	940	774									
	14XPH32D11	1/6	0.09	1140	8.5	1393	1311	1224	1174	1113	911						
	14XPH32D17	1/3	0.29	1725	15.2	2107	2054	2000	1972	1944	1887	1825	1756	1620			
	14XPH40D08	1/6	0.05	860	6.7	1234	1104	871									
16	16XPH21D08	1/6	0.04	860	7.4	1064	973	870	811	716							
	16XPH21D11	1/6	0.10	1140	9.8	1410	1342	1272	1234	1195	1112	997					
	16XPH21D17	1/3	0.36	1725	18.9	2134	2089	2044	2022	1999	1952	1904	1854	1775	1630	1395	
	16XPH26D08	1/6	0.06	860	6.2	1269	1182	1051	982	905	729						
	16XPH26D11	1/6	0.15	1140	9.9	1683	1619	1549	1505	1453	1340	1239	1061	934			
	16XPH26D17	1/2	0.51	1725	19.1	2546	2505	2463	2441	2419	2372	2320	2261	2150	1974	1760	1520
	16XPH28D08	1/6	0.06	860	7.8	1407	1318	1163	1083	1002							
	16XPH28D11	1/6	0.14	1140	9.9	1866	1801	1727	1681	1619	1478	1368					
	16XPH28D17	1/2	0.49	1725	22	2823	2781	2738	2715	2693	2644	2590	2524	2387	2176	1957	
	16XPH36D08	1/6	0.08	860	8.4	1709	1593	1451	1359	1234							
	16XPH36D11	1/4	0.20	1140	10.2	2265	2179	2089	2040	1985	1859	1696	1436				
	16XPH36D17	3/4	0.67	1725	23	3427	3371	3315	3286	3257	3197	3134	3067	2955	2731	2396	

Performance shown is for Installation Type A: free inlet, free outlet. Performance ratings do not include the effects of appurtenances (accessories) in the airstream. The sound ratings shown are loudness values in hemispherical sones at 1.5m (5 ft) in a hemispherical free field calculated per AMCA Standard 301. Values shown are for Installation Type A: free inlet hemispherical sone levels. Model XPHD is not licensed to bear the AMCA Seal.

XPHD Direct Drive 18-24

Fan Size	Catalog Number	HP	Max. BHP	Fan RPM	FA Sones	CFM at Static Pressure											
						0.000	0.050	0.100	0.125	0.150	0.200	0.250	0.300	0.375	0.500	0.625	0.750
18	18XPH24D08	1/6	0.07	860	6.0	1609	1512	1401	1327	1205							
	18XPH24D11	1/6	0.17	1140	9.9	2133	2061	1986	1946	1904	1806	1660	1399				
	18XPH24D17	3/4	0.58	1725	22	3227	3180	3132	3108	3084	3035	2984	2930	2844	2666	2336	
	18XPH29D08	1/6	0.09	860	6.0	1942	1837	1713	1633	1529							
	18XPH29D11	1/4	0.22	1140	11.1	2574	2496	2414	2371	2324	2215	2074	1831				
	18XPH29D17	3/4	0.74	1725	23	3895	3843	3792	3765	3739	3685	3629	3571	3475	3281	3010	
	18XPH34D08	1/6	0.11	860	6.4	2190	2088	1965	1879	1770							
	18XPH34D11	1/4	0.26	1140	11.3	2903	2827	2747	2704	2658	2546	2395	2196				
18XPH34D17	1	0.92	1725	23	4393	4343	4293	4267	4241	4189	4134	4076	3979	3776	3498	2923	
20	20XPH24D08	1/6	0.10	860	8.2	2001	1852	1673	1563	1430	1171						
	20XPH24D11	1/4	0.25	1140	13.8	2653	2542	2425	2362	2294	2140	1954	1735	1475			
	20XPH24D17	1	0.84	1725	27	4014	3941	3868	3831	3793	3716	3635	3549	3411	3142	2804	2469
	20XPH28D08	1/6	0.11	860	8.4	2326	2188	2022	1916	1792							
	20XPH28D11	1/4	0.27	1140	14.0	3083	2981	2874	2816	2752	2605	2430	2208				
	20XPH28D17	1	0.97	1725	27	4665	4599	4531	4497	4462	4391	4317	4238	4108	3850	3536	3101
	20XPH32D08	1/6	0.15	860	9.4	2712	2566	2401	2302	2182	1846						
	20XPH32D11	1/3	0.36	1140	15.7	3595	3486	3373	3314	3251	3113	2945	2727	2298			
	20XPH32D17	1-1/2	1.23	1725	31	5439	5368	5296	5259	5223	5148	5072	4992	4866	4624	4316	3908
	20XPH36D08	1/4	0.18	860	10.5	3000	2828	2634	2522	2402	2114						
20XPH36D11	1/2	0.43	1140	17.6	3976	3848	3716	3646	3572	3411	3233	3042	2652				
20XPH36D17	1-1/2	1.44	1725	35	6017	5933	5848	5805	5762	5674	5584	5490	5341	5065	4764	4424	
24	24XPH28D08	1/3	0.35	860	11.9	4799	4579	4357	4244	4127	3869	3535					
	24XPH28D11	1	0.87	1140	19.2	6362	6196	6030	5946	5862	5693	5519	5337	5022	4287		
	24XPH32D08	1/2	0.48	860	13.0	5460	5238	5014	4902	4787	4537	4212	3715				
	24XPH32D11	1	1.09	1140	21	7238	7070	6902	6818	6733	6564	6393	6215	5912	5168		
	24XPH36D08	3/4	0.60	860	14.5	6098	5883	5660	5542	5417	5136	4794	4257				
	24XPH36D11*	1-1/2	1.37	1140	23	8083	7922	7759	7676	7592	7418	7232	7033	6696	5934		

*3 phase only

Performance shown is for Installation Type A: free inlet, free outlet. Performance ratings do not include the effects of appurtenances (accessories) in the airstream. The sound ratings shown are loudness values in hemispherical sones at 1.5m (5 ft) in a hemispherical free field calculated per AMCA Standard 301. Values shown are for Installation Type A: free inlet hemispherical sone levels. Model XPHD is not licensed to bear the AMCA Seal.

APD Direct Drive 16-36

Fan Size	Catalog Number	HP	Max. BHP	Fan RPM	FA Sones	CFM at Static Pressure			
						0.000	0.125	0.250	0.375
16	16P17D	1/4	0.23	1725	15.9	1946	1604	1104	
	16P17DA	1/3	0.36	1725	17.2	2327	1929	1271	1027
20	20P8D	1/6	0.12	860	9.0	2236	1242		
	20P11D	1/4	0.26	1140	13.4	2939	2400	1529	
24	24P8D	1/6	0.18	860	10.8	3391	2729	1647	
	24P8DA	1/4	0.22	860	11.5	3805	3157	1948	
	24P11D	1/3	0.35	1140	15.4	4144	3653	3122	2266
	24P11DA	1/2	0.56	1140	17.4	5227	4766	4237	3420
30	30P8D	1/3	0.35	860	14.0	5610	4628	3385	
	30P8DA	1/2	0.56	860	16.6	6818	5875	4475	3124
	30P8DB	3/4	0.78	860	18.3	7972	7042	5857	3836
	30P11D	1	1.07	1140	25	8462	7773	7044	5993
36	36P8D	1/2	0.60	860	19.0	8260	7154	5771	
	36P8DA	3/4	0.79	860	20	9064	7958	6580	4843
	36P8DB	1	1.08	860	23	10620	9542	8234	6060
	36P8DC	1-1/2	1.53	860	25	12304	11275	10027	7201

Performance shown is for Installation Type A: free inlet, free outlet. Performance ratings include the effects of shutter, housing and wire guard in the airstream. The sound ratings shown are loudness values in hemispherical sones at 1.5m (5 ft) in a hemispherical free field calculated per AMCA Standard 301. Values shown are for Installation Type A: free inlet hemispherical sone levels. Model APD is licensed to bear the AMCA Certified Ratings Seal for air performance only.

EPD Direct Drive 24-54

Fan Size	Catalog Number	HP	Max. BHP	Fan RPM	FA Sones	CFM at Static Pressure						
						0.000	0.125	0.250	0.375	0.500	0.750	1.000
24	24EP416D11	1/3	0.33	1140	17.3	4302	3791	3162	2346			
	24EP620D11	1/2	0.54	1140	24	5219	4817	4362				
	24EP624D11	3/4	0.72	1140	22	5902	5466	4985	4392	3745	1745	
	24EP416D17	1	1.14	1725	34	6510	6184	5841	5467	5048	4069	
	24EP420D17	1-1/2	1.40	1725	36	7367	6998	6625	6243	5843	4747	
30	30EP416D08	1/2	0.36	860	17.0	5653	4719	3675	2395			
	30EP420D08	1/2	0.48	860	18.6	6422	5481	4384	3422	1663		
	30EP616D08	1/2	0.51	860	21	6053	5424	4694	3666	2250		
	30EP624D08	1	0.90	860	22	7951	7228	6404	5233	4342		
	30EP416D11	1	0.85	1140	27	7493	6781	6090	5366	4496	2245	
36	36EP416D08	1	0.90	860	24	10920	9753	8509	7142	5702		
	36EP420D08	1	1.14	860	26	12232	10991	9706	8337	6863		
	36EP616D08	1-1/2	1.23	860	21	11006	10253	9333	8323	7318	4898	
	36EP632D08	3	2.95	860	42	17477	16138	14788	13421	12051	8839	
	36EP416D11	2	2.08	1140	38	14476	13601	12710	11779	10794	8690	6253
42	42EP416D08	2	1.92	860	32	16982	15519	14069	12612	10913	7293	
	42EP420D08	3	2.39	860	35	18955	17494	15966	14329	12661	8878	
	42EP616D08	3	2.58	860	40	16774	15853	14867	13771	12678	10070	
	42EP624D08	5	4.45	860	45	22923	21378	19996	18813	17733	14855	
	42EP416D11	5	4.46	1140	53	22512	21407	20305	19209	18122	15843	13113
48	48EP616D06	3	2.42	680	35	20474	19181	17695	15980	14221	10188	
	48EP624D06	5	4.10	680	28	26999	25224	23445	21653	19800	15098	
	48EP420D08	5	4.58	860	46	27972	26501	24960	23250	21352	17322	12329
	48EP616D08	5	4.89	860	52	25894	24884	23824	22636	21302	18552	15602
	48EP624D08	7-1/2	8.31	860	39	34146	32743	31339	29931	28519	25638	22450
54	54EP430D06	7-1/2	6.55	680	40	37614	34510	31685	28761	25177	17283	
	54EP432D06	7-1/2	7.26	680	42	39703	36402	33095	29773	26353	17559	
	54EP626D06	7-1/2	7.66	680	50	38960	36948	34885	32705	30367	25257	16735
	54EP632D06	10	9.81	680	26	44210	41944	39562	36907	34005	27403	19929
	54EP432D08	15	14.51	860	62	59036	57058	54987	52672	50001	43263	34814
	54EP624D08	15	13.51	860	55	46450	44874	43282	41657	39982	36500	32915

Performance shown is for Installation Type A: free inlet, free outlet. Performance ratings include the effects of shutter, housing and wire guard in the airstream. The sound ratings shown are loudness values in hemispherical sones at 1.5m (5 ft) in a hemispherical free field calculated per AMCA Standard 301. Values shown are for Installation Type A: free inlet hemispherical sone levels. Model EPD is not licensed to bear the AMCA Seal.

XLP / XMP Belt Drive 20-24

Fan Size	Catalog Number	HP	Max. BHP	Fan RPM	FA Sones	CFM at Static Pressure								
						0.000	0.100	0.125	0.250	0.375	0.500	0.625		
20	20XLP / 20XLPH	1/4	0.12	662	9.1	2639	1516	1084						
			0.17	751	11.8	2994	2095	1777						
			0.24	840	14.9	3349	2598	2344						
		1/3	0.29	884	16.4	3525	2823	2596	1093					
			0.32	929	18.0	3704	3041	2850	1476					
			0.40	998	20	3979	3363	3203	2020					
		1/2	0.49	1067	23	4254	3675	3533	2549					
			0.61	1147	26	4573	4031	3902	3078	1881				
			0.74	1227	29	4892	4382	4261	3537	2510				
	20XMP / 20XMPH	1/4	0.12	776	10.7	2525	2033	1838						
			0.17	886	13.8	2883	2474	2351	1308					
			0.25	997	17.0	3244	2883	2790	2006					
		1/3	0.29	1049	18.6	3413	3070	2984	2331	1414				
			0.33	1102	20	3586	3259	3178	2624	1694				
			0.42	1184	23	3853	3547	3473	3024	2204	1498			
		1/2	0.50	1265	26	4116	3829	3760	3375	2737	1914			
			0.63	1361	29	4429	4160	4096	3758	3272	2503	1860		
			0.77	1456	33	4738	4486	4425	4118	3730	3131	2377		
24	24XLP / 24XLPH	1/4	0.13	544	7.7	3756	2286	1605						
			0.18	608	9.3	4198	2868	2554						
			0.24	671	11.2	4633	3467	3131						
		1/3	0.28	707	12.5	4882	3867	3447	1228					
			0.33	742	13.7	5124	4195	3787	1833					
			0.40	797	15.7	5503	4655	4389	2618					
		1/2	0.50	852	17.8	5883	5089	4883	3525	1315				
			0.62	916	20	6325	5581	5403	4142	2390				
			0.76	980	22	6767	6064	5902	4699	3257				
	3/4	0.88	1030	24	7112	6438	6284	5156	4139	2191				
		1.02	1081	26	7464	6817	6669	5710	4704	3119				
		0.10	632	10.4	3157	2353	2043							
	24XMP / 24XMPH	1/4	0.16	739	13.9	3691	3025	2845	1557					
			0.24	846	17.6	4226	3645	3499	2448	1436				
			0.28	891	19.3	4451	3899	3762	2863	1791				
		1/3	0.33	936	21	4675	4150	4020	3261	2172				
			0.41	1005	23	5020	4529	4408	3760	2741	1881			
			0.50	1074	26	5365	4905	4791	4207	3342	2449	1691		
1/2		0.63	1155	29	5769	5341	5235	4702	4061	3121	2351			
		0.77	1236	32	6174	5773	5674	5180	4640	3820	3040			
		0.89	1300	35	6494	6112	6018	5549	5055	4414	3560			
1	1.01	1364	38	6813	6450	6360	5913	5453	4917	4104				

Heavy duty power assembly (XLPH/XMPH) required for performance in shaded area. Performance shown is for Installation Type A: free inlet, free outlet. Power rating (BHP) does not include transmission losses. Performance ratings include the effects of shutter, housing and wire guard in the airstream. The sound ratings shown are loudness values in hemispherical sones at 1.5m (5 ft) in a hemispherical free field calculated per AMCA Standard 301. Values shown are for Installation Type A: free inlet hemispherical sone levels. Models XLP/XMP are not licensed to bear the AMCA Seal.

XLP / XMP Belt Drive 30-36

Fan Size	Catalog Number	HP	Max. BHP	Fan RPM	FA Sones	CFM at Static Pressure									
						0.000	0.100	0.125	0.250	0.375	0.500	0.625	0.750	1.000	
30	30XLP / 30XLPH	1/4	0.17	388	7.0	5479	2699	1868							
			0.20	412	7.8	5818	3381	2351							
			0.23	436	8.6	6157	3906	3096							
		1/3	0.27	459	9.4	6482	4366	3740							
			0.31	482	10.2	6807	4806	4253							
		1/2	0.38	518	11.6	7315	5477	4975							
			0.49	553	13.1	7809	6113	5638	2726						
		3/4	0.59	595	14.9	8403	6853	6414	3637						
			0.73	636	16.8	8982	7549	7151	4961						
		1	0.87	668	18.2	9433	8077	7709	5722	3152					
			0.98	701	19.7	9900	8612	8271	6413	3806					
		1-1/2	1.26	753	22	10634	9438	9131	7427	5286	3224				
	1.48		805	25	11368	10249	9968	8400	6713	4306					
	2	1.78	846	27	11947	10882	10616	9154	7600	5276	3707				
		2.00	887	29	12526	11509	11257	9892	8419	6674	4558				
	3	2.51	953	33	13458	12510	12276	11045	9676	8273	6132	4627			
		3.00	1018	36	14376	13487	13268	12142	10880	9599	8162	5967			
	30	30XMP / 30XMPH	1/4	0.16	480	7.6	5027	3531	2781						
				0.18	504	8.3	5278	3900	3340						
				0.20	529	9.0	5540	4251	3820						
			1/3	0.28	557	9.9	5833	4624	4265	2103					
				0.32	585	10.8	6127	4983	4665	2520					
			1/2	0.38	629	12.1	6588	5529	5251	3095					
				0.50	672	13.5	7038	6049	5796	3787	2397				
3/4			0.59	722	15.2	7562	6640	6410	4915	3160					
			0.77	773	17.1	8096	7234	7021	5807	3826	2713				
1			0.86	813	18.5	8515	7694	7492	6397	4444	3364				
			0.97	853	20	8933	8151	7958	6947	5329	3900				
1-1/2			1.23	917	22	9604	8874	8694	7778	6629	4768	3876			
		1.53	980	25	10264	9580	9411	8564	7612	6033	4701	3887			
2		1.72	1030	27	10787	10137	9975	9173	8309	7127	5406	4586			
		1.92	1080	29	11311	10690	10536	9772	8973	8006	6368	5234			
3		2.33	1128	31	11814	11219	11071	10340	9589	8736	7490	5917	4433		
		2.57	1175	33	12306	11735	11593	10890	10177	9399	8402	6794	5106		
36		36XLP / 36XLPH	1/4	0.26	350	7.6	8019	4495	3369						
	0.25			346	7.4	7927	4277	3182							
	0.24			342	7.3	7835	4102	2976							
	1/3		0.28	360	7.9	8248	5324	3767							
			0.33	378	8.6	8660	6044	4415							
	1/2		0.41	406	9.8	9301	6920	6137							
			0.49	434	11.1	9943	7764	7125							
	3/4		0.62	466	12.8	10676	8720	8100	3308						
			0.74	499	14.3	11432	9666	9095	4940						
	1		0.86	525	15.5	12028	10383	9865	5895						
			1.00	551	16.7	12623	11078	10613	6960						
	1-1/2		1.25	592	18.6	13563	12143	11744	9365	5135					
			1.51	633	21	14502	13182	12830	10670	6865					
	2		1.80	665	22	15235	13981	13656	11636	8051	4955				
			2.06	697	24	15968	14773	14468	12602	10303	6606				
	3		2.57	749	27	17160	16047	15768	14142	12256	8574	5815			
			3.14	800	30	18328	17285	17027	15592	13816	11584	8239	5420		
	5		3.67	848	33	19428	18442	18199	16900	15264	13607	9980	7817		
		4.36	895	36	20504	19569	19339	18139	16667	15084	12993	9702			
	36	36XMP / 36XMPH	1/4	0.16	350	7.0	6740	3362	2685						
				0.20	374	8.0	7202	4478	3274						
				0.23	397	9.1	7645	5197	3949						
			1/3	0.27	418	10.1	8050	5747	5000						
				0.31	439	11.3	8454	6287	5677						
			1/2	0.40	471	13.2	9071	7122	6519	3204					
				0.49	504	15.0	9706	7957	7373	4013					
			3/4	0.60	542	17.1	10438	8860	8359	4981					
				0.75	580	19.3	11170	9715	9297	6504	4005				
			1	0.87	610	21	11747	10372	9998	7716	4741				
				0.99	640	23	12325	11015	10675	8545	5474				
			1-1/2	1.25	688	26	13250	12030	11725	9782	6853	5080			
				1.54	735	30	14155	13010	12729	11008	9068	6220	4804		
			2	1.77	773	33	14886	13795	13529	11986	10179	7225	5772		
				2.06	810	36	15599	14554	14302	12903	11144	8597	6664	5396	
			3	2.51	870	41	16754	15778	15542	14306	12692	11128	8250	6881	
				3.13	930	48	17910	16993	16771	15646	14254	12731	10986	8384	6084
5			3.21	939	48	18083	17174	16954	15843	14483	12962	11357	8633	6331	
	3.29	948	49	18257	17356	17138	16040	14712	13193	11678	8885	6563			

Heavy duty power assembly (XLPH/XMPH) required for performance in shaded area. Performance shown is for Installation Type A: free inlet, free outlet. Power rating (BHP) does not include transmission losses. Performance ratings include the effects of shutter, housing and wire guard in the airstream. The sound ratings shown are loudness values in hemispherical sones at 1.5m (5 ft) in a hemispherical free field calculated per AMCA Standard 301. Values shown are for Installation Type A: free inlet hemispherical sone levels. Models XLP/XMP are not licensed to bear the AMCA Seal.

XLP / XMP Belt Drive 54-60

Fan Size	Catalog Number	HP	Max. BHP	Fan RPM	FA Sones	CFM at Static Pressure						
						0.000	0.100	0.125	0.250	0.375	0.500	0.625
54	54XLP / 54XLPH	3/4	0.53	216	8.1	17034	10305	7861				
			0.59	228	8.8	17981	11911	9538				
			0.68	239	9.6	18848	13245	11162				
		1	0.80	251	10.4	19794	14621	12817				
			0.94	264	11.4	20820	16051	14429				
		1-1/2	1.26	284	13.1	22397	18136	16723	8570			
			1.47	303	14.8	23895	20003	18780	10793			
		2	1.68	319	16.3	25157	21510	20426	12984			
			2.06	334	17.6	26340	22882	21905	15200	8948		
		3	2.50	359	19.8	28311	25114	24265	18646	11751		
			3.13	384	22	30283	27298	26534	21652	14948	10135	
		5	3.70	408	25	32176	29364	28661	24355	18459	12823	
	4.45		432	27	34068	31410	30752	26926	21843	15721	11647	
	5.17		456	29	35961	33437	32817	29375	24842	19076	14319	
	54XMP / 54XMPH	3/4	0.51	234	8.6	17008	11223	8525				
			0.61	248	9.5	18026	12470	11015				
			0.72	262	10.4	19043	13694	12584				
		1	0.82	276	11.4	20061	14990	13831				
			0.94	289	12.4	21006	16320	14960				
		1-1/2	1.21	311	14.1	22605	18584	17004	10164			
			1.43	332	15.8	24131	20518	19182	12173			
		2	1.70	349	17.1	25367	21981	20902	15230			
			2.03	366	18.5	26602	23400	22479	17361	10881		
		3	2.40	393	21	28565	25590	24811	19792	13580		
3.09			420	23	30527	27737	27042	22161	16775	12234		
5		3.55	446	25	32417	29780	29141	24668	21045	14954		
	4.36	472	28	34307	31802	31202	27387	23429	17497	13985		
	4.99	499	30	36269	33886	33323	30080	25774	22460	16752		
60	60XLP / 60XLPH	1-1/2	0.83	208	9.8	23462	16789	14789				
			1.15	232	11.8	26169	20381	18683	8642			
			1.51	255	13.9	28763	23527	22162	11587			
		2	1.76	268	15.1	30230	25241	23989	13173			
			2.03	281	16.3	31696	26928	25756	17936	9873		
		3	2.54	301	18.2	33952	29484	28399	22067	12845		
			3.09	322	20	36321	32132	31112	25452	15359		
		5	4.02	352	23	39704	35864	34919	30084	24083	15369	
			5.22	383	27	43201	39668	38791	34474	29347	19145	15898
		7-1/2	6.42	411	30	46359	43066	42245	38236	33797	28698	19238
			7.88	439	34	49518	46434	45664	41892	38004	33362	23095
		60XMP / 60XMPH	1-1/2	0.60	225	9.7	19797	14680	13186			
	0.99			266	12.8	23404	19322	18091	8896			
	1.54			307	16.2	27012	23603	22637	17141			
	2		1.78	323	17.6	28420	25202	24322	19262	10584		
			2.03	338	19.0	29739	26675	25858	21107	12548		
	3		2.57	363	21	31939	29092	28362	24057	19013		
			3.08	388	24	34139	31475	30806	26935	22616	14143	
	5		4.08	424	28	37306	34864	34261	30922	27049	22731	14477
			5.25	461	31	40562	38310	37756	34830	31365	27769	23161
	7-1/2		5.53	469	32	41266	39051	38507	35650	32282	28757	24611
			5.78	476	33	41882	39699	39162	36364	33079	29608	25721

Heavy duty power assembly (XLPH/XMPH) required for performance in shaded area. Performance shown is for Installation Type A: free inlet, free outlet. Power rating (BHP) does not include transmission losses. Performance ratings include the effects of shutter, housing and wire guard in the airstream. The sound ratings shown are loudness values in hemispherical sones at 1.5m (5 ft) in a hemispherical free field calculated per AMCA Standard 301. Values shown are for Installation Type A: free inlet hemispherical sone levels. Models XLP / XMP are not licensed to bear the AMCA Seal.

APB Belt Drive 24-48

Fan Size	HP	Max. BHP	Fan RPM	FA Sones	CFM at Static Pressure			
					0.000	0.125	0.250	0.375
24	1/6	0.16	676	10.5	3544	2297		
	1/4	0.23	777	13.7	4073	3195		
	1/3	0.32	859	16.5	4503	3741	2152	
	1/2	0.50	986	21	5169	4545	3629	
30	1/6	0.16	468	6.1	4587	2056		
	1/4	0.22	538	7.7	5273	2947		
	1/3	0.32	595	9.2	5832	4311		
	1/2	0.48	683	11.9	6695	5507	3175	
	3/4	0.76	786	15.2	7704	6748	5064	3236
36	1/4	0.24	393	6.3	6095	2528		
	1/3	0.29	434	7.6	6730	3564		
	1/2	0.40	499	9.7	7738	4748		
	3/4	0.72	574	12.4	8902	6746	4126	
	1	0.87	633	14.7	9817	8166	5411	
42	1/2	0.49	409	9.1	9695	6291		
	3/4	0.75	470	11.7	11141	8706		
	1	1.01	519	14.0	12303	10185		
	1-1/2	1.53	596	17.7	14128	12383	9525	
	2	2.08	657	21	15574	14045	12066	9293
48	3/4	0.73	373	9.9	12263	8475		
	1	0.99	412	12.0	13545	10033		
	1-1/2	1.49	473	15.5	15550	12453		
	2	2.00	521	18.1	17128	14421	11705	
	3	3.08	598	23	19660	17546	14790	12208

Performance shown is for Installation Type A: free inlet, free outlet. Power rating (BHP) does not include transmission losses. Performance ratings include the effects of shutter, housing and wire guard in the airstream. The sound ratings shown are loudness values in hemispherical sones at 1.5m (5 ft) in a hemispherical free field calculated per AMCA Standard 301. Values shown are for Installation Type A: free inlet hemispherical sone levels. Model APB is licensed to bear the AMCA Certified Ratings Seal for air performance only.

EPB Belt Drive 24-36

Fan Size	Catalog Number	HP	Max. BHP	Fan RPM	FA Sones	CFM at Static Pressure					
						0.000	0.125	0.250	0.375	0.500	0.750
24	24EP420B	1/2	0.50	1226	21	5236	4714	4165	3404		
	24EP614B		0.50	1248	22	4523	4160	3805	3397	2912	
	24EP420B	3/4	0.77	1411	26	6026	5574	5110	4608	3895	
	24EP616B		0.77	1375	26	5393	5078	4768	4445	4040	3057
	24EP430B	1	1.03	1300	29	6912	6395	5892	5253	4109	1840
	24EP620B		1.00	1376	27	6299	5970	5621	5230	4796	3724
	24EP430B	1-1/2	1.56	1493	37	7938	7487	7046	6600	5993	4207
	24EP622B		1.56	1536	32	7494	7198	6893	6564	6183	5184
24EP624B	2	2.08	1623	36	8402	8100	7791	7468	7117	6289	
30	30EP424B	3/4	0.77	921	23	7896	7069	6031	4615	3344	
	30EP614B		0.77	1040	26	6708	6156	5599	5013	4134	
	30EP424B	1	1.03	1016	26	8710	7968	7112	5919	4701	2264
	30EP614B		1.03	1147	30	7398	6898	6395	5883	5311	3849
	30EP424B	1-1/2	1.56	1166	32	9996	9355	8664	7836	6734	4698
	30EP618B		1.56	1199	33	9088	8628	8159	7663	7094	5548
	30EP428B	2	2.09	1207	38	11235	10495	9735	8917	7824	6098
	30EP618B		2.09	1321	38	10013	9596	9173	8737	8270	7050
	30EP430B	3	3.17	1331	49	13019	12248	11465	10655	9788	8161
	30EP624B		3.15	1306	40	12074	11605	11127	10627	10087	8748
36	36EP424B	1	1.03	759	22	12171	10780	9214	7493		
	36EP614B		1.03	855	21	10038	9291	8471	7472	6355	3401
	36EP424B	1-1/2	1.55	871	27	13966	12767	11461	10071	8492	
	36EP614B		1.56	982	26	11529	10882	10202	9442	8541	6661
	36EP426B	2	2.09	933	32	15534	14416	13226	11909	10535	6974
	36EP614B		2.09	1082	30	12703	12117	11512	10861	10128	8392
	36EP432B	3	3.16	958	41	17788	16785	15837	14772	11972	11432
	36EP616B		3.12	1176	34	15050	14511	13943	13303	12565	11100
	36EP430B	5	5.31	1197	58	21120	20344	19542	18677	17690	15264
	36EP620B		5.13	1281	41	18887	18338	17776	17183	16540	15133

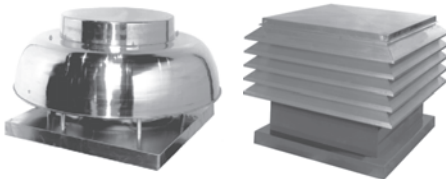
Performance shown is for Installation Type A: free inlet, free outlet. Power rating (BHP) does not include transmission losses. Performance ratings include the effects of shutter, housing and wire guard in the airstream. The sound ratings shown are loudness values in hemispherical sones at 1.5m (5 ft) in a hemispherical free field calculated per AMCA Standard 301. Values shown are for Installation Type A: free inlet hemispherical sone levels. Model EPB is not licensed to bear the AMCA Seal.

EPB Belt Drive 42-60

Fan Size	Catalog Number	HP	Max. BHP	Fan RPM	FA Sones	CFM at Static Pressure					
						0.000	0.125	0.250	0.375	0.500	0.750
42	42EP424B	1-1/2	1.54	680	25	16743	14974	12634	10167	8004	
	42EP614B		1.55	752	23	13893	12762	11605	10394	8895	5045
	42EP422B	2	2.09	772	29	18364	16876	15113	12968	10674	5359
	42EP424B		2.07	749	29	18442	16861	14900	12634	10418	4745
	42EP614B		2.08	829	26	15316	14290	13250	12180	11028	8537
	42EP424B	3	3.14	860	36	21175	19816	18289	16379	14420	10763
	42EP614B		3.15	952	33	17588	16696	15797	14882	13946	11787
	42EP424B	5	5.28	1022	48	25164	24030	22836	21479	19867	16566
	42EP618B		5.21	1040	40	21927	21168	20400	19610	18786	16946
	42EP428B	7-1/2	7.97	1092	63	29124	28050	26936	25722	24346	21092
42EP620B	7.74		1141	47	26067	25256	24457	23684	22934	21360	
48	48EP412B	2	2.08	797	35	19643	17853	16201	14327	12348	7765
	48EP624B		2.08	542	20	21520	19292	17045	14632	11322	
	48EP414B	3	3.15	867	41	23168	21609	20034	18423	16771	13242
	48EP628B		3.13	579	25	25214	23098	20852	18432	15763	6832
	48EP414B	5	5.30	1031	54	27550	26241	24924	23594	22240	19461
	48EP628B		5.27	688	32	29960	28188	26364	24426	22384	17523
	48EP414B	7-1/2	7.88	1182	70	31585	30444	29298	28146	26983	24607
	48EP628B		7.94	789	39	34359	32816	31249	29626	27917	24356
	48EP418B	10	10.55	1184	76	58582	38589	36063	33899	32190	29142
	48EP632B		10.63	826	48	38511	36909	35285	33613	31869	28173
54	54EP432B	3	3.17	516	27	30128	25775	21387	16287	10084	
	54EP626B		3.14	505	25	28933	26198	23212	19937	14548	
	54EP432B	5	5.32	613	35	35791	32129	28455	24734	20509	10321
	54EP632B		5.27	553	19.3	35953	33136	29959	26376	22109	10261
	54EP430B	7-1/2	7.94	725	44	40103	37177	34491	31846	28735	22035
	54EP432B		8.02	703	44	41046	37853	34655	31444	28184	20153
	54EP430B	10	10.63	799	52	44196	41527	39029	36664	34174	28164
	54EP432B		10.70	774	52	45192	42292	39389	36478	33557	27273
	54EP624B	15	10.62	794	48	42886	41177	39446	37663	35816	31993
	54EP432B		16.11	887	66	51789	49259	46728	44192	41651	36529
54EP622B		15.85	937	62	49459	47916	46362	44789	43178	39807	
60	60EP422B	5	5.26	610	35	41374	38348	34965	31029	27019	11253
	60EP622B		5.24	538	31	40434	37438	34456	31382	27423	17997
	60EP428B	7-1/2	7.92	618	41	48960	45136	41057	36264	30381	
	60EP620B		7.91	642	39	46169	43622	41058	38459	35777	29326
	60EP622B		7.89	617	38	46372	43759	41152	38555	35834	28860
	60EP428B	10	10.6	681	48	53952	50493	46884	42911	38095	28073
	60EP622B		10.57	679	44	51032	48657	46286	43924	41553	35927
	60EP428B	15	15.92	780	60	61795	58781	55700	52454	48913	40051
	60EP622B		15.77	778	56	58472	56399	54328	52262	50202	46000
	60EP428B	20	21.27	859	71	68053	65322	62545	59674	56647	49581
60EP624B	20.92		835	65	64859	63185	61488	59746	57932	53866	

Performance shown is for Installation Type A: free inlet, free outlet. Power rating (BHP) does not include transmission losses. Performance ratings include the effects of shutter, housing and wire guard in the airstream. The sound ratings shown are loudness values in hemispherical sones at 1.5m (5 ft) in a hemispherical free field calculated per AMCA Standard 301. Values shown are for Installation Type A: free inlet hemispherical sone levels. Model EPB is not licensed to bear the AMCA Seal.

Propeller Roof Fans



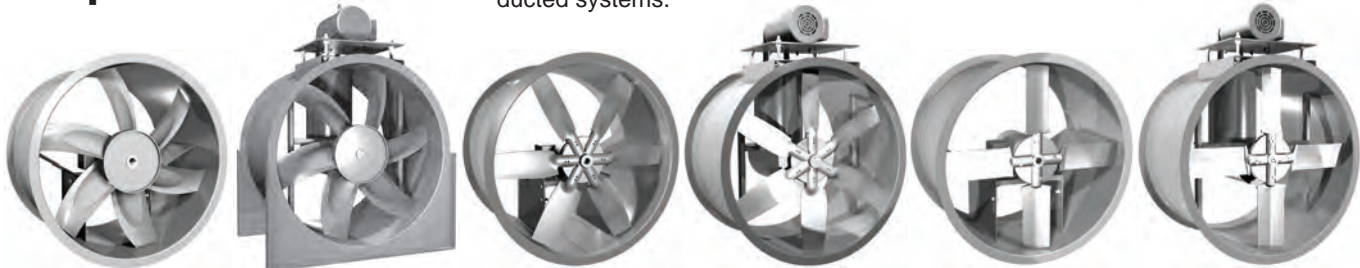
SEP / AQD

ETE

Designed for industrial and commercial and industrial supply or exhaust applications. The fans are offered in both spun aluminum and architectural tiered aluminum construction and offer performance ranging from 1,000 to 40,000 CFM.

Propeller Inline Fans

Designed to be easily mounted in any orientation in either ducted or non-ducted systems.



"TRITON® Series"
Steel Prop
TID, TIB

"A Series" Cast
Aluminum Airfoil Prop
ADD, ADB

"E Series" Extruded
Aluminum Airfoil Prop
EDD, EDB

Propeller Upblast Fans

Designed for industrial and commercial applications requiring movement of large volume of air with low static pressures and discharge of air up and away from a building.

Low Silhouette Belt Drive
LXUL, LXUM



Standard Belt Drive
TUB, TUBSC, AUB, EUB



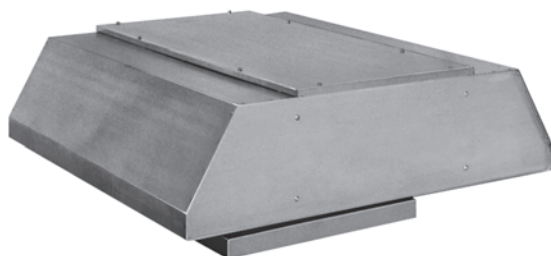
MO Belt Drive
LXULMO, LXULSC, LXUMMO,
LXUMSC, LEUMO



Direct Drive
TUD, TUDSC, EUD, AUD



Propeller Hooded H-Series Fans



Designed for industrial or commercial applications requiring a low profile roof top design. The H-Series is available in exhaust, supply, reversible or filtered supply configurations. It utilizes either the X.STREAM high efficiency fabricated steel propeller for low and medium pressure applications or an extruded aluminum airfoil propeller for higher pressure applications.



LOREN COOK COMPANY

2015 E. DALE STREET
SPRINGFIELD, MO 65803-4637

417.869.6474

FAX 417.862.3820

lorencook.com