



**Pedestal Mount Mancooler  
Model PUM**



**Utility Mancooler  
Model UM**

## **MANCOOLERS**

**Macheta<sup>®</sup> Airfoil Propeller  
Model UM / PUM / M39 / STL**

# Mancoolers

## Models

**UM | PUM | M39 | STL**

**Utility  
Mancooler  
(UM)**



**Pedestal Mount  
Mancooler (PUM)**



**Model 39  
Mancooler (M39)**



**Steeler  
Mancooler  
(STL)**



### Utility Mancooler

Aerovent's Utility Mancoolers feature a quality, general purpose direct drive tubeaxial fan with the Macheta® airfoil propeller and front and rear PMS type guards for maximum protection and safety. The Utility Mancooler is mounted on a heavy duty tubular base with reinforcing gussets that act as mounting pads. The design enables the fan to operate on the floor as a free-standing unit or to be rotated in its base and mounted on the wall. The unit can also be supplied with optional locking wheels where fan mobility is required. Air delivery can be adjusted through 360°. Typical applications for the Utility Mancooler include welding booth and control panel ventilation, insect chasing, process cooling and smoke dissipation.

### Pedestal Mount Mancooler

The Pedestal Mount Mancooler is an alternative to the standard Utility Mancooler model. The Pedestal Mount Mancooler uses a yoke assembly mounted on a predrilled mounting pad. The pedestal and yoke design enables the fan to be rotated and mounted in any position or location (i.e., on steel columns or ceiling beams). Pedestal Mount Mancoolers are available in the same sizes as the standard Utility Mancooler model. Air delivery can be adjusted through 360°. Specify pedestal mount when ordering.

### Model 39 Mancooler

Adaptability and portability are the main features of the Model 39 Mancooler. The unit features a general purpose direct drive tubeaxial fan mounted in an adjustable lightweight tubular steel frame. The Model 39 Mancooler features front and rear PMS type guards for maximum protection and safety. Air delivery is adjustable through 180°. All Model 39 Mancoolers come equipped with a set of front wheels to easily relocate the fan where needed.

### Steeler Mancooler

Some industries require mancooler fans that can withstand rough handling. The "Steeler" is specifically designed and built for heavy duty industrial use. Developed for steel mills, the "Steeler" Mancooler fan can be moved about as required — rolled on rough floors or moved by crane from one spot to another. To withstand this punishment, the tubeaxial section is banded with two extra angle rings around the middle to protect the fan motor. Guards are 14-gauge expanded metal type, and the support legs are structural angle iron with two steel locking wheels and two steel caster wheels for maneuverability. Air delivery can be adjusted through 180°. A lifting eye is provided for hoisting the fan from one location to another with a crane hook.

# Performance Data

## Utility, Pedestal Mount and Model 39 Mancoolers

SIZE	CATALOG NUMBER				CFM**
	PROP	FAN TYPE	RPM	HP	
*16"	16L432	UM / PUM	1750	1/4	3000
*18"	18L430	UM / PUM	1750	1/3	3943
	18L432	UM / PUM	1750	1/2	4190
*21"	21L420	UM / PUM	1750	1/3	4774
	21L424	UM / PUM	1750	1/2	5512
	21L430	UM / PUM	1750	3/4	6262
	21L432	UM / PUM	1750	1	6654
24"	24L428	UM / M39 / PUM	1160	1/2	6604
	24L224	UM / M39 / PUM	1750	3/4	8155
	24L230	UM / M39 / PUM	1750	1	8955
	24L426	UM / M39 / PUM	1750	1 1/2	9464
27"	27M413	UM / M39 / PUM	1750	1/2	7292
	27M417	UM / M39 / PUM	1750	3/4	8902
	27M616	UM / M39 / PUM	1750	1	8960
30"	30L230	UM / M39 / PUM	1160	1	10688
	30L428	UM / M39 / PUM	1160	1 1/2	12899
	30L218	UM / M39 / PUM	1750	1 1/2	13879
	30L222	UM / M39 / PUM	1750	2	14611
32"	32M616	UM / M39 / PUM	1160	1	10868
	32M417	UM / M39 / PUM	1750	2	15242
36"	36L218	UM / M39 / PUM	1160	1	15291
	36L224	UM / M39 / PUM	1160	1 1/2	18435
	36L228	UM / M39 / PUM	1160	2	20048
	36L212	UM / M39 / PUM	1750	2	17932
	36L216	UM / M39 / PUM	1750	3	21287
	36L224	UM / M39 / PUM	1750	5	28711
42"	42L422	UM / M39 / PUM	870	2	23597
	42L428	UM / M39 / PUM	870	3	27136
	42L422	UM / M39 / PUM	1160	5	31463
	42L428	UM / M39 / PUM	1160	7 1/2	36182
	42L218	UM / M39 / PUM	1750	7 1/2	36578

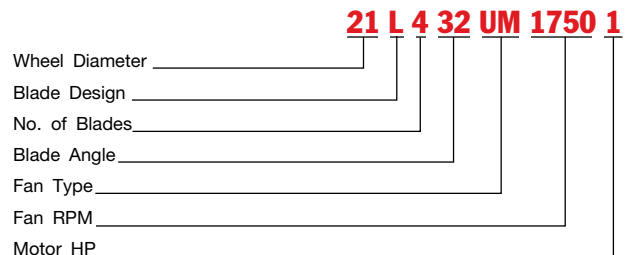
\*\*Performances shown do not include guard losses.  
\*Model 39 Mancoolers are only available in sizes 24-42.

## Steeler Mancooler

SIZE	CATALOG NUMBER				CFM**
	PROP	FAN TYPE	RPM	HP	
24"	24L230	STL	1750	1	8955
	24L426	STL	1750	1 1/2	9464
30"	30L230	STL	1160	1	10688
	30L428	STL	1160	1 1/2	12899
	30L218	STL	1750	1 1/2	13879
	30L222	STL	1750	2	14611
36"	36L218	STL	1160	1	15291
	36L224	STL	1160	1 1/2	18435
	36L228	STL	1160	2	20048
	36L212	STL	1750	2	17932
	36L216	STL	1750	3	21287
42"	36L224	STL	1750	5	27811
	42L422	STL	1160	5	31463
	42L428	STL	1160	7 1/2	36182
48"	42L218	STL	1750	7 1/2	36578
	48L226	STL	1160	7 1/2	45158
	48L422	STL	1160	10	46913

\*\*Performances shown do not include guard losses.

## Model Nomenclature



# Typical Specifications

**CONSTRUCTION** — Macheta® Airfoil Mancoolers, where indicated on drawings and schedules, shall be direct drive. Mancoolers shall be manufactured by Aerovent, Minneapolis, Minnesota, and shall be of the size and capacity as indicated in the fan schedule. Macheta® Airfoil Mancoolers shall be tested and rated in accordance with industry test codes and are guaranteed by the manufacturer to deliver at the rated published performance levels. In addition, each unit shall be run tested prior to shipment. Fan housing shall be rolled and flanged from heavy-gauge steel with a continuous welded seam. Standard units are supported on a heavy duty tubular base with reinforcing gussets and mounting pads. OSHA type guards, front and rear, shall be bolted to the fan housing. Unit shall have provisions for locking wheels, wall mount, column mount or stationary mount.

**PROPELLERS** — Precision Macheta® tipped airfoil propellers shall be of A319 cast aluminum. The propeller shall be secured to the motor shaft with knurled cup point setscrews on size 16" and split taper lock bushings on sizes 18" and larger.

**BALANCING** — The propeller assembly shall be statically and dynamically balanced in accordance with ANSI/AMCA 204-96 "Balance Quality and Vibration Levels for Fans" to Fan Application Category BV-3, Balance Quality Grade G6.3. In addition, direct drive fan propellers shall be balanced on the motor shaft after final assembly in the fan casing, in the manufacturing facility, to the following peak velocity values, filter-in, at the fan test speed:

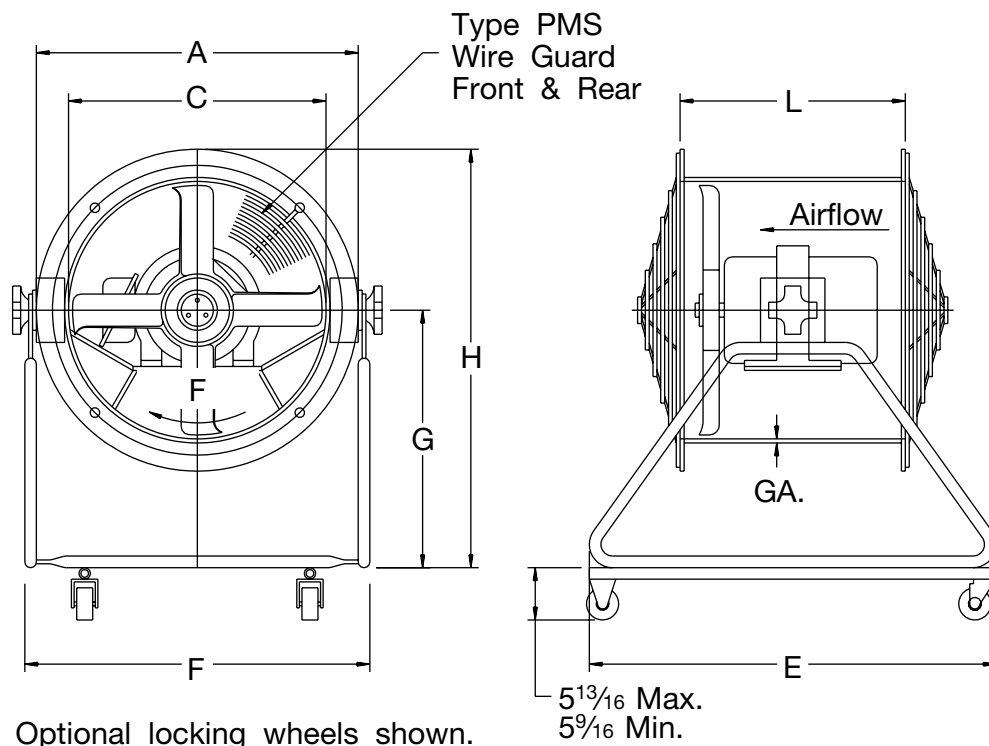
<b>Fan Application Category</b> BV-3	<b>Rigidly Mounted (in./s)</b> 0.15	<b>Flexibly Mounted (in./s)</b> 0.20
-----------------------------------------	----------------------------------------	-----------------------------------------

**MOTORS** — Fan motors shall be foot mounted NEMA Design B, standard industrial continuous duty, ball bearing (ODP, TEAO, TEFC, FCXP) variable torque type suitable for operation on voltage, phase and hertz, as listed in the fan schedule.

**FINISH** — The unit, after fabrication, shall be cleaned and chemically pretreated by a phosphating process and shall be painted inside and outside with an air dry enamel.

**ACCESSORIES** — Unit shall be complete with: Locking Wheels (UM Mancoolers only)

## Model UM | Utility Mancooler

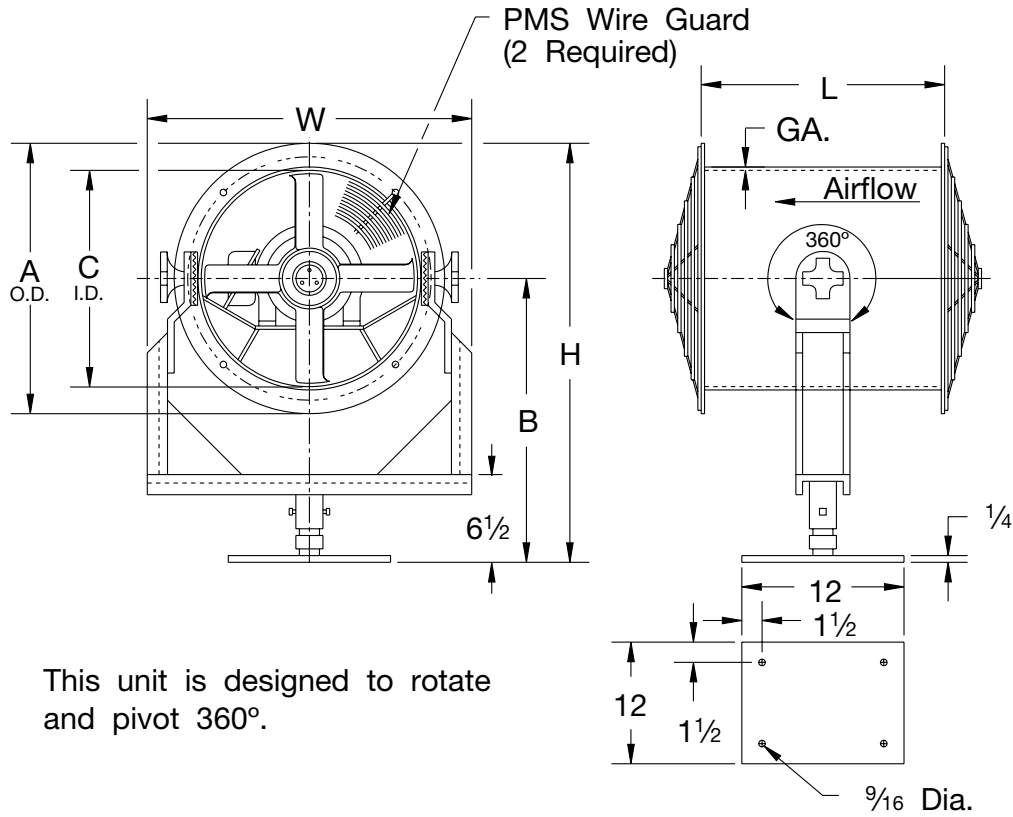


SIZE	A	C	E	F	G	H	L	GA.	Max Motor Size
16	19	16 <sup>1</sup> / <sub>4</sub>	21 <sup>3</sup> / <sub>4</sub>	21 <sup>5</sup> / <sub>8</sub>	15 <sup>3</sup> / <sub>4</sub>	25 <sup>1</sup> / <sub>4</sub>	15	0.105	56
18	21	18 <sup>1</sup> / <sub>4</sub>	21 <sup>3</sup> / <sub>4</sub>	23 <sup>7</sup> / <sub>8</sub>	15 <sup>3</sup> / <sub>4</sub>	26 <sup>1</sup> / <sub>4</sub>	15	0.105	56
21	24	21 <sup>1</sup> / <sub>4</sub>	21 <sup>3</sup> / <sub>4</sub>	26 <sup>7</sup> / <sub>8</sub>	15 <sup>3</sup> / <sub>4</sub>	27 <sup>3</sup> / <sub>4</sub>	15	0.105	143T
24	27	24 <sup>1</sup> / <sub>4</sub>	32	30 <sup>1</sup> / <sub>2</sub>	22	35 <sup>1</sup> / <sub>2</sub>	18	0.105	143T
27	30 <sup>1</sup> / <sub>4</sub>	27 <sup>1</sup> / <sub>4</sub>	32	33 <sup>1</sup> / <sub>2</sub>	22	37 <sup>1</sup> / <sub>8</sub>	18	0.105	143T
30	33 <sup>1</sup> / <sub>4</sub>	30 <sup>1</sup> / <sub>4</sub>	32	36 <sup>1</sup> / <sub>2</sub>	22	38 <sup>5</sup> / <sub>8</sub>	24	0.105	145T
32	35 <sup>1</sup> / <sub>2</sub>	32 <sup>1</sup> / <sub>2</sub>	32	38 <sup>3</sup> / <sub>4</sub>	22	39 <sup>3</sup> / <sub>4</sub>	24	0.105	145T
36	39 <sup>1</sup> / <sub>2</sub>	36 <sup>1</sup> / <sub>2</sub>	44	42 <sup>3</sup> / <sub>4</sub>	28	47 <sup>3</sup> / <sub>4</sub>	26	0.105	184T
42	46	42 <sup>3</sup> / <sub>4</sub>	44	49	28	51	26	0.135	254T

Dimensions are in inches unless otherwise noted.  
Dimensions are not to be used for construction.

R12150E

## Model PUM | Pedestal Mount Mancooler



This unit is designed to rotate and pivot 360°.

SIZE	A	B	C	H	L	W	GA.	Max Motor Size
16	19	21	16 1/4	30 1/2	15	23 3/8	0.105	56
18	21	22	18 1/4	32 1/2	15	25 3/8	0.105	56
21	24	24	21 1/4	36	15	28 1/2	0.105	143T
24	27	25	24 1/4	38 1/2	18	31 1/2	0.105	143T
27	30 1/4	27	27 1/4	42 1/8	18	34 1/2	0.105	143T
30	33 1/4	29	30 1/4	45 5/8	24	37 1/2	0.105	145T
32	35 1/2	30	32 1/2	47 3/4	24	41 5/8	0.105	145T
36	39 1/2	32	36 1/2	51 3/4	26	45 5/8	0.105	184T
42	46	35	42 3/4	58	26	51 1/8	0.135	254T

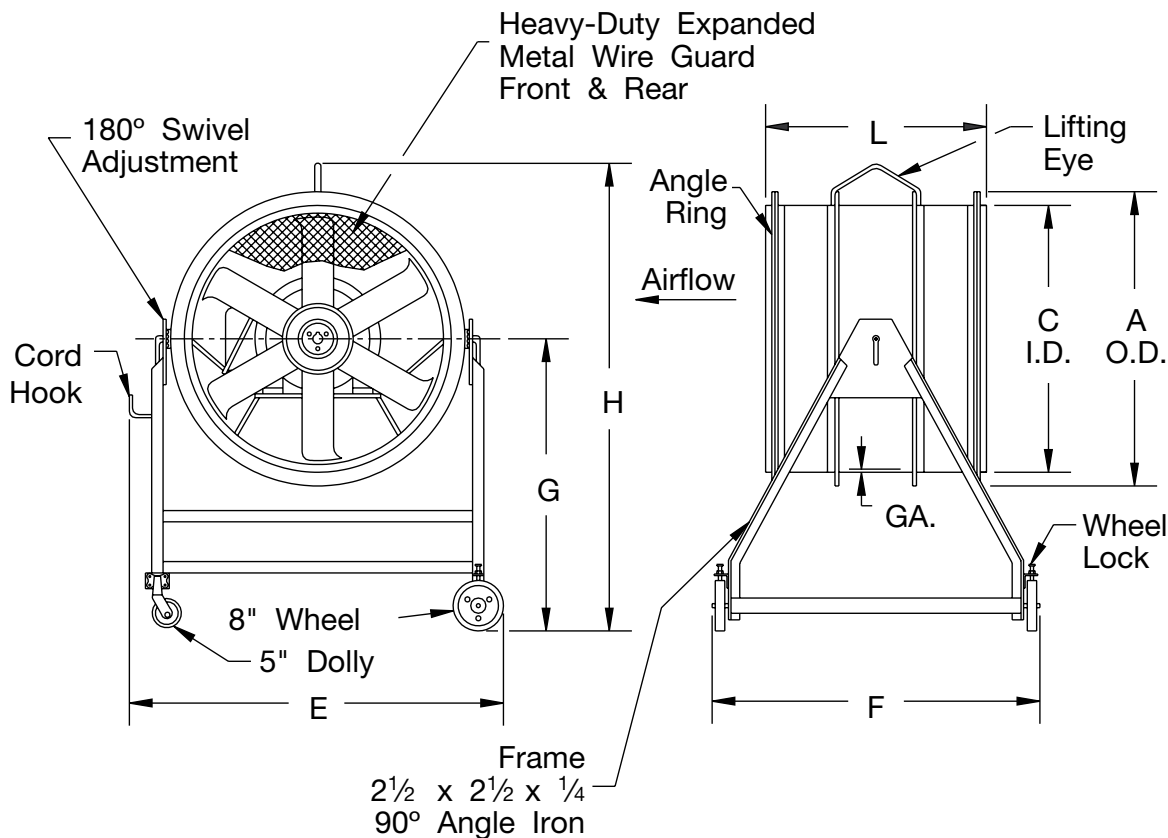
Dimensions are in inches unless otherwise noted.  
Dimensions are not to be used for construction.

R11193D





## Model STL | Steeler Mancooler

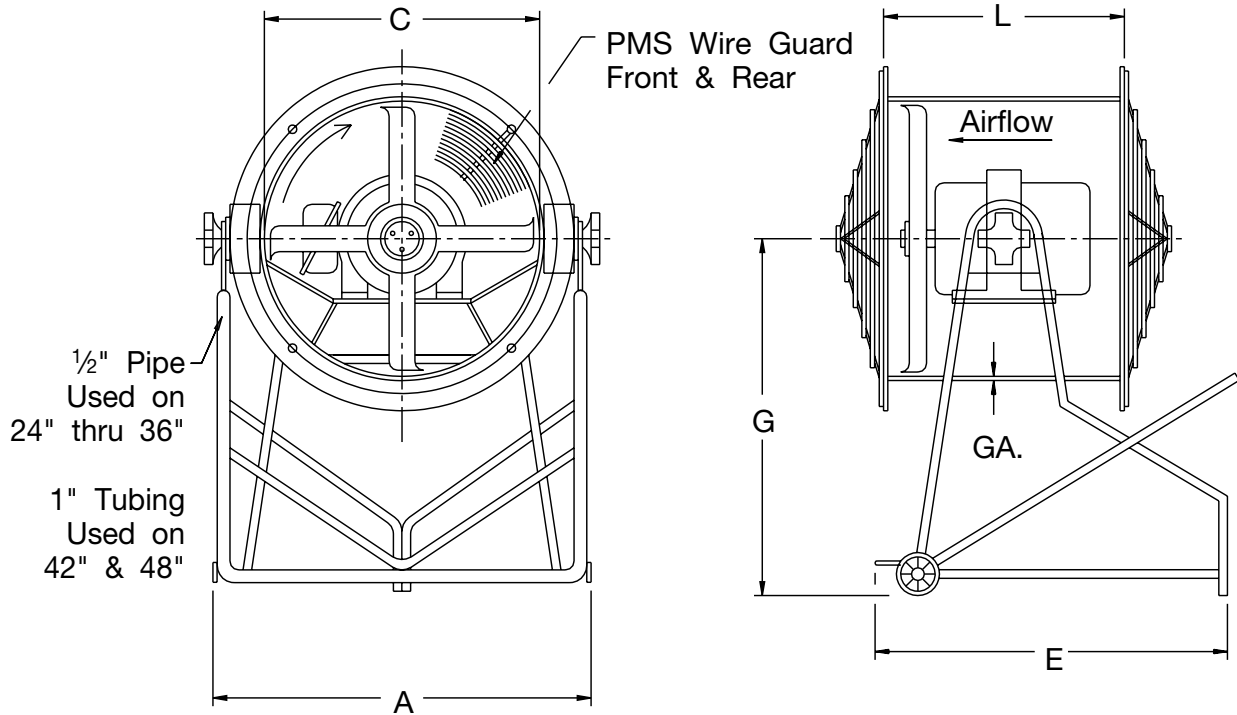


SIZE	A	C	E	F	G	H	L	ANGLE RING	GA.	Max Motor Size
24	27	24¼	41½	38¼	36	59¼	20½	1¼ x 1¼ x ⅛	0.105	145T
30	33⅝	30⅝	47⅞	38¼	42	68½	27	1½ x 1½ x ⅜	0.105	145T
36	39⅜	36⅜	53⅝	38¼	42	71¾	27	1½ x 1½ x ⅜	0.135	184T
42	45⅜	42½	59⅝	40¼	48	80¾	29	1½ x 1½ x ⅜	0.135	254T
48	52	48¾	65⅝	44¼	48	83¾	33	1½ x 1½ x ⅜	0.179	256T

Dimensions are in inches unless otherwise noted.  
Dimensions are not to be used for construction.

R3751E

## Model 39 | Mancooler



SIZE	A	C	E	G	L	GA.	Max Motor Size
24	33	24 <sup>1</sup> / <sub>4</sub>	40 <sup>7</sup> / <sub>8</sub>	41 <sup>1</sup> / <sub>2</sub>	18	0.105	143T
27	35 <sup>7</sup> / <sub>8</sub>	27 <sup>1</sup> / <sub>4</sub>	40 <sup>7</sup> / <sub>8</sub>	41 <sup>1</sup> / <sub>2</sub>	18	0.105	143T
30	39	30 <sup>1</sup> / <sub>4</sub>	40 <sup>7</sup> / <sub>8</sub>	41 <sup>1</sup> / <sub>2</sub>	24	0.105	145T
32	41 <sup>1</sup> / <sub>8</sub>	32 <sup>1</sup> / <sub>2</sub>	40 <sup>7</sup> / <sub>8</sub>	41 <sup>1</sup> / <sub>2</sub>	24	0.105	145T
36	45	36 <sup>1</sup> / <sub>2</sub>	40 <sup>7</sup> / <sub>8</sub>	41 <sup>1</sup> / <sub>2</sub>	26	0.105	184T
42	51 <sup>5</sup> / <sub>16</sub>	42 <sup>3</sup> / <sub>4</sub>	40 <sup>7</sup> / <sub>8</sub>	41 <sup>1</sup> / <sub>2</sub>	26	0.135	254T

Dimensions are in inches unless otherwise noted.  
 Dimensions are not to be used for construction.

R9165D



©2013 Aerovent, Minneapolis, MN. All rights reserved. Catalog illustrations cover the general appearance of Aerovent products at the time of publication and we reserve the right to make changes in design and construction at any time without notice.

---

**PROPELLER FANS | TUBEAXIAL & VANEAXIAL FANS | CENTRIFUGAL FANS & BLOWERS | ROOF VENTILATORS  
INDUSTRIAL AIR HANDLERS | AIR MAKE-UP | FIBERGLASS FANS | CUSTOM FANS**



**AEROVENT**  
A Twin City Fan Company

**AEROVENT**   
INDUSTRIAL VENTILATION SYSTEMS

**[WWW.AEROVENT.COM](http://WWW.AEROVENT.COM)**

---

**5959 Trenton Lane N | Minneapolis, MN 55442 | Phone: 763-551-7500 | Fax: 763-551-7501**