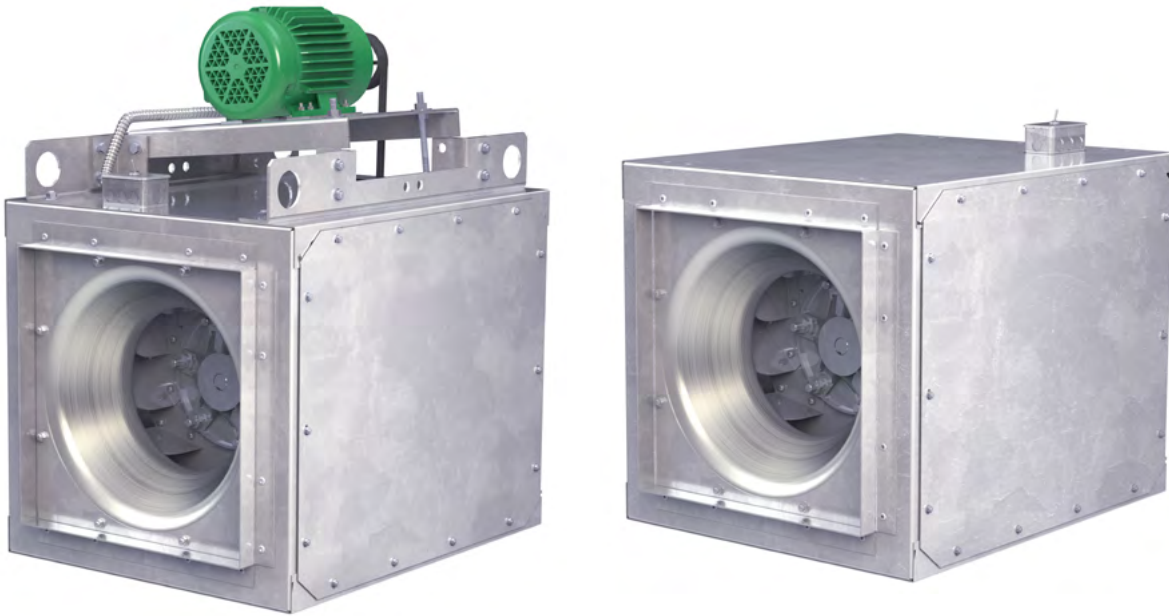


SQUARE INLINE FANS

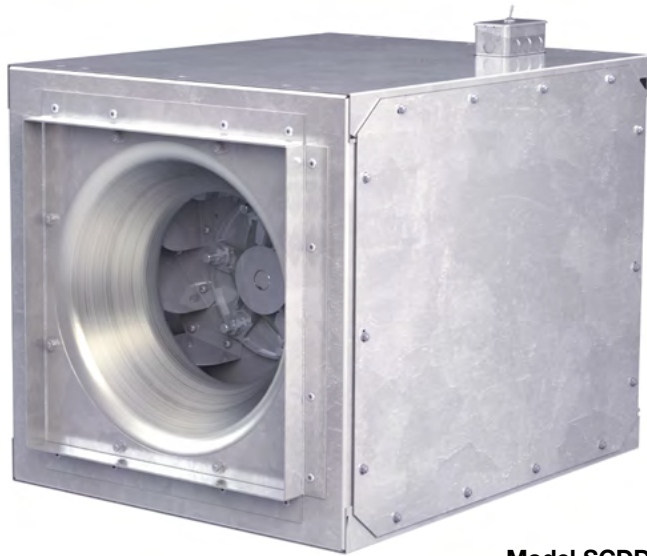


MODELS: SCDD/SCBD



Overview

SCDD | SCBD



Model SCDD
Direct Drive

Now Available with



see page 8



Aerovent's Model SCDD direct drive and Model SCBD belt driven square inline fans are specifically designed for duct applications handling relatively clean air, including supply, exhaust and return air systems. These fans offer high efficiency and quiet operation in a compact design that can be mounted in any position (horizontal, vertical or angular). Duct collars are provided for easy mounting without the need for square to round duct transitions. The units can be easily serviced through the side access panels without removing duct connections.

Square inline centrifugal units feature high efficient, non-overloading, backward inclined centrifugal wheels precisely matched to a spun venturi. All wheels are statically and dynamically balanced. Units are manufactured under strict quality assurance standards to insure cataloged performance and years of maintenance-free operation. Square inline fans are not intended for outdoor applications.

Typical Applications Include

General HVAC (exhaust, filtration, return and supply, air of commercial buildings), Air Pollution Control, Airport Exhaust, Automotive, Fertilizer, Food & Beverage, Laboratory Exhaust, Metal & Mineral Processing, Office Exhaust, Restroom Exhaust, Warehouse Exhaust and Water Treatment

Wheel Types

Backward Inclined

Optional Construction

Spark Resistant Construction (Type B and C), Easy Access Construction

Certifications

AMCA Sound/Air and FEG, UL 705 Listed for Electrical, OSHPD Seismic Preapproval per OSP-0271-10



All SCDD and SCBD models are UL/cUL 705 listed, for electrical, File No. E158680.



Aerovent, a Twin City Fan Company, certifies that the Models SCDD and SCBD shown herein are licensed to bear the AMCA Seal. The ratings shown are based on tests and procedures performed in accordance with AMCA Publication 211 and AMCA Publication 311 and comply with the requirements of the AMCA Certified Ratings Program.

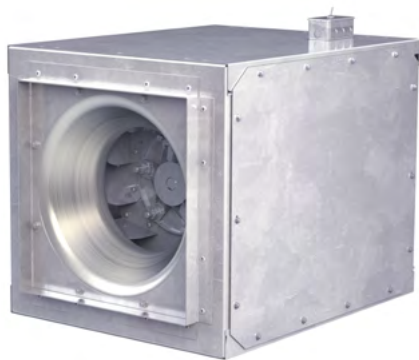


Fan Efficiency Grade (FEG) certification applies to Model SCDD Sizes 135A, 135AE, 150A, 150AE, 150AN, 150ANE, 165A, 165AE, 165AN and 165ANE and Model SCBD, Sizes 080A, 090A, 100A, 120A, 120AHP, 135A, 135AHP, 150A, 150AHP, 165A, 165AHP, 180A, 180AHP, 210A, 210AHP, 225A, 225AHP, 245A, 245AHP, 270A, 270AHP, 300A, 300AHP, 330A, 330AHP, 365A, 365AHP, 402A, 402AHP.

For complete product performance, drawings and available accessories, download our Fan Selector program at aerovent.com.

Overview

SCDD | SCBD

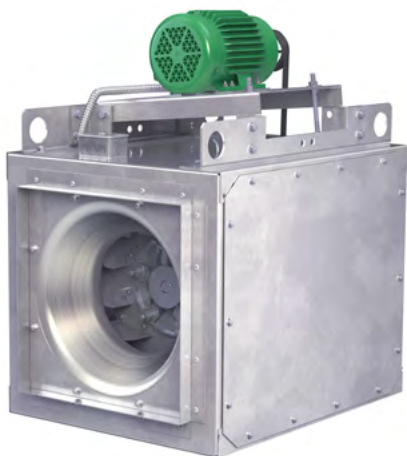


Model SCDD

Available in 10 sizes from 080 through 165
Airflow to 5,800 CFM
Static pressure to 2" w.g.



**General HVAC
(90 Degree Turn)**



Model SCBD

Available in 29 sizes from 080 through 402
Airflow to 27,400 CFM
Static pressure to 3.5" w.g.



**General HVAC
(Straight Inline)**

Housings - Housing assembly features heavy-gauge galvanized steel construction.

Removable Side Panels - Removable side panels provide easy access for service and maintenance without the need to remove duct connections. Complete removal of the power assembly is also possible through side access panels. Side panels can provide a 90-degree side discharge. Requires optional side discharge accessory.

Duct Collars - Duct collars provide ready attachment to ductwork and eliminate the need for square to round duct transitions.

Belt Tube/Bearing Cover - Constructed of heavy gauge galvanized steel, the belt tube and bearing cover enclose the belts, fan sheave and bearings within the airstream (Model SCBD).

Drive Frame - Motor and drive frame are constructed of heavy gauge galvanized steel. The pivoting motor base makes for simple belt tensioning (Model SCBD).

Wheel - Backward inclined non-overloading, all-aluminum wheel and hub statically and dynamically balanced to assure long life and quiet operation.

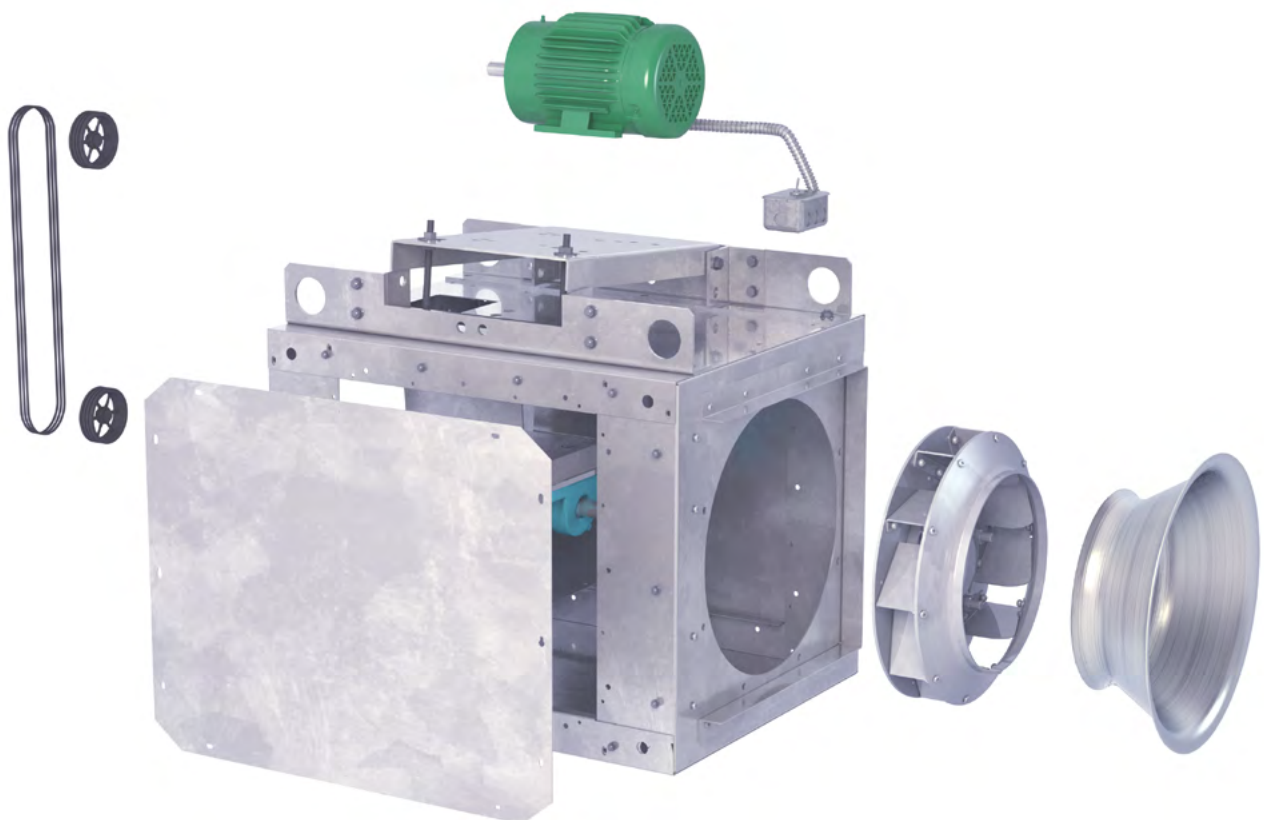
Mounting Brackets - Galvanized steel mounting brackets for easy mounting in horizontal or vertical position.

Pulleys - Heavy-duty cast iron adjustable pulleys to permit speed variation (Model SCBD).

Shaft - Precision ground and polished with a first critical speed of at least 125% of the fan's maximum operating speed (Model SCBD).

Bearings - All models are furnished with prelubricated cast iron pillow block bearings with zerk fittings, designed for an average life (L-50) of 500,000 hours or more at maximum cataloged operating speeds (Model SCBD).

Disconnect Switch - Mounted and prewired NEMA 1 disconnect switch provided as standard for servicing the unit without the danger of an accidental start.



Disconnect switches provide positive electrical shutoff during fan cleaning or maintenance.

NEMA 1 Disconnect Switch (Standard)

A NEMA 1 disconnect switch is available shipped loose for field mounting and wiring or factory mounted and wired with ODP or TEFC motors.



NEMA 1 Disconnect Switch

NEMA 3R Disconnect Switch

A NEMA 3R, rain proof, disconnect is available shipped loose for field mounting and wiring or factory mounted and wired externally.



NEMA 3R Disconnect Switch

NEMA 4 Disconnect Switch

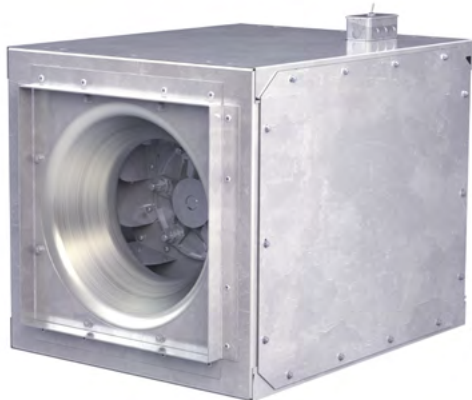
A NEMA 4, water and dust tight, disconnect is available shipped loose for field mounting and wiring or factory mounted and wired externally.



NEMA 4 Disconnect Switch

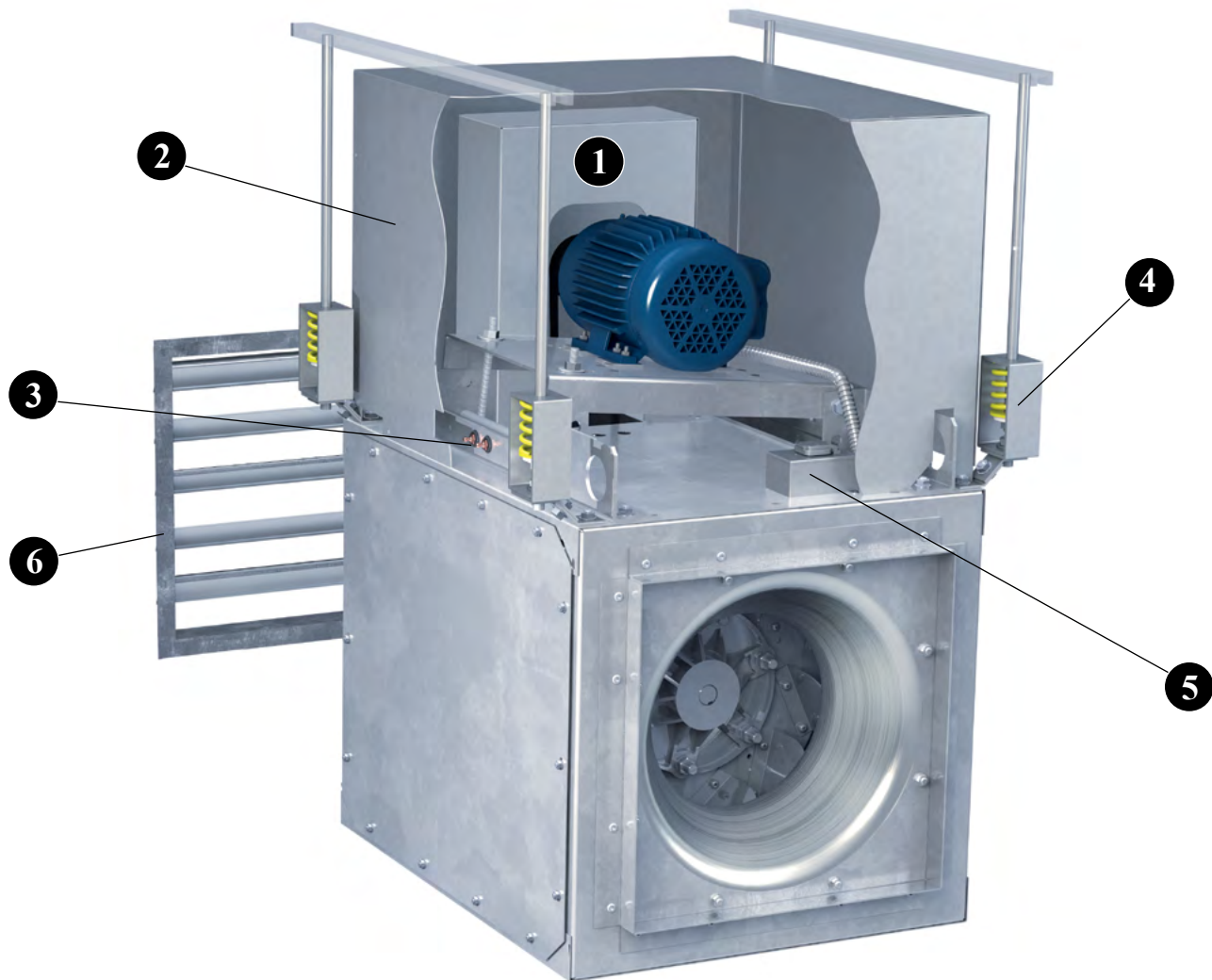
NEMA 7/9 Disconnect Switch

A NEMA 7/9 disconnect switch is recommended on fans with explosion proof motors. The NEMA 7/9 switch is designed for use with fans operating in hazardous environments. Available shipped loose for field mounting and wiring. (Not shown.)



**SCDD
Direct Drive**

AEROVENT 
INDUSTRIAL VENTILATION SYSTEMS



1 Belt Guard is a formed galvanized steel guard available to cover the drive assembly on Model SCBD. Belt guard is offered in lieu of motor cover.

2 Motor Cover is a formed galvanized steel cover available on Model SCBD to completely cover the motor and drives. Motor cover serves as OSHA belt guard.

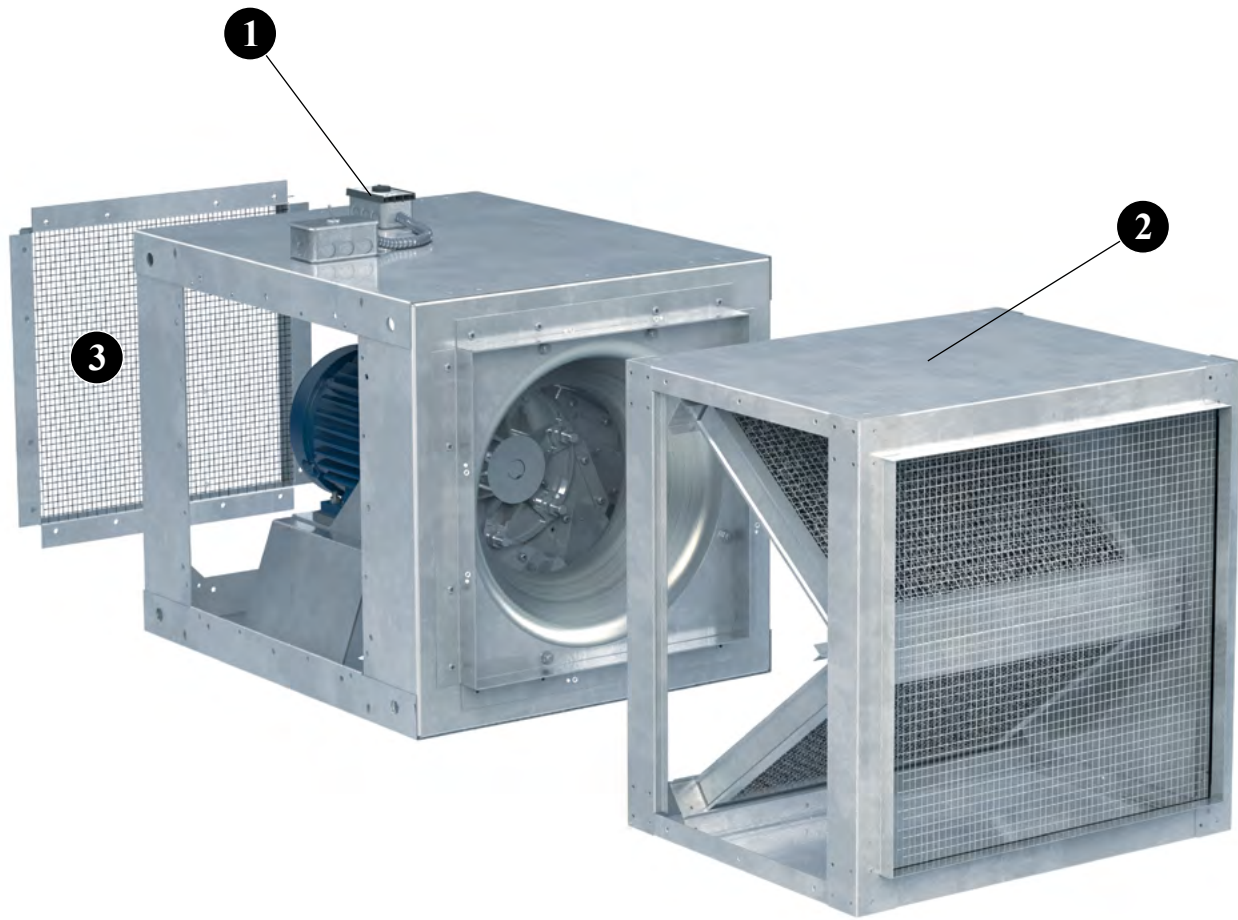
3 Extended Lube Lines Exterior mounting zerk fittings are available with lines to the fan shaft bearings (Model SCBD) for relubrication from outside the unit.

4 Vibration Isolators Spring or neoprene type vibration isolators are available for ceiling suspended or floor mounted installations.

5 NEMA 3R rain proof safety disconnect switch is available for positive electrical shutoff of the fan and the protection of service personnel.

6 Backdraft Dampers, with automatic or motorized operation, feature felt-edged damper blades for quiet operation. Damper frames are constructed of galvanized steel and blades are constructed of 26-gauge aluminum. All dampers ship loose for field mounting in ductwork.

Motorized dampers are recommended for low CFM applications to assure unrestricted airflow. Motorized dampers are available with 115, 208, 230, 460, 575 or 24 volt service; 575 volt service requires a step-down transformer. See dimensional data for sizing.



1 Variable Speed Control Variable speed control is an optional accessory on all SCDD models, to allow the adjustment of airflow for system balancing. Variable speed controllers are solid-state (Tri-ac) design and are designed to start the motor on high speed for better startup characteristics. Variable speed controls can be shipped separately, factory installed, or field installed on the unit at a later date. Motor must be ODP 115V, PSC or shaded pole type.

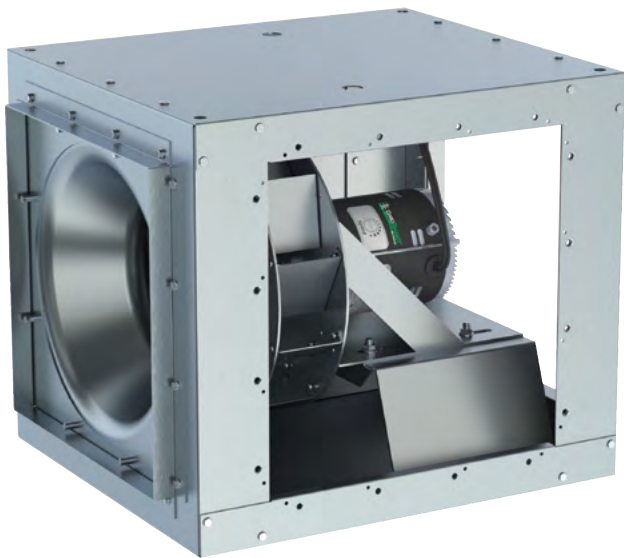
2 Filter Box A filter box containing two inch aluminum wire mesh, removable and washable filters is available for attachment to the fan inlet side. The filter box is constructed of galvanized steel, with duct collars for easy mounting and removable side panels for easy filter cleaning or replacement. Disposable paper filters are also available. One inch filters are available on either type. For filter box pressure drops contact factory. See page 26 for dimensional data.

3 Outlet Guard Inlet and outlet guards are available for all models. Guards mount inside the unit and do not interfere with the attachment of ductwork.

Other Accessories Include:

- Special Coatings
- Insulated Housings
- Aluminum Construction
- Stainless Steel Hardware
- NEMA 4 & 7/9 Disconnect Switches

AEROVENT 
INDUSTRIAL VENTILATION SYSTEMS



Model SCDD
With GridSmart™ EC Motor

Aerovent offers its own line of custom engineered Electronically Commutated (EC) motors. Electronic commutation is the latest motor technology to be used in direct drive fans. Also known in the industry as Brush Free or Brushless DC, the EC motors utilize an electronic circuit board to control the functionality of the motor. The motor operates off of single phase AC power, which is converted to DC power within the motor's circuitry. Aerovent has motor options available for 115V, 208-230V or 277V single phase electrical power. The result is a highly efficient motor, even at part load, with an expanded speed control range and a variety of speed control options from which to choose. EC motors are available in ODP, TENV and TEFC enclosures.



Benefits

- Efficiencies up to 85%
- Constant efficiency as the motor speed is varied
- Up to 66% energy savings over traditional PSC motors
- Performance range comparable to a belt drive fan with reduced maintenance benefits of a direct drive fan
- 80% usable turndown range as compared with 40% maximum on PSC motors
- Soft start gives fans smooth, quiet start
- Lower operating temperatures result in longer life and reduces energy consumption
- Heavy-duty ball bearings are permanently lubricated
- Elimination of VFD results in lower initial cost

EC Motor Options

1/6HP to 1HP

- 1/6HP: 115V, single phase
- 1/4HP – 1HP: 115V, 208-230V, 277V, single phase
- ODP or TENV Enclosure
- Motor mounted speed control dial as standard
- 0-10VDC control leads as standard
- Available with remote mounted speed control dial

1HP & 2HP

- 1HP: 115V, 208-230V, single phase
- 2HP: 208-230V, single phase
- TEFC enclosure (totally enclosed fan cooled)
- Available with motor mounted speed dial or 0-10VDC control lead



1HP & 2HP
GridSmart™ EC Motors



1/6HP to 1HP
GridSmart™ EC Motors

Side discharge kits (including panels, mounting collars and necessary hardware) are available to provide 1-way, 2-way or 3-way discharges. This option provides exceptional adaptability for any installation, as well as avoiding the system effect of disrupted airflow when the ductwork has to take a 90-degree turn.

Configurations

OPTION	FIGURE	CONFIGURATION
Standard	A	Rear
1-Way	B	Left
	C	Right
	D	Left and Right
2-Way	E	Left and Rear
	F	Right and Rear
3-Way	G	Left, Right and Rear

NOTE: Performance will change depending on the position of the discharge. See correction factor table below. Percentages based on (inline) cataloged performance, but are not AMCA certified. Always check BHP when selecting motor HP and fan size.

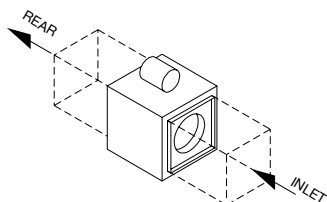


Fig. A

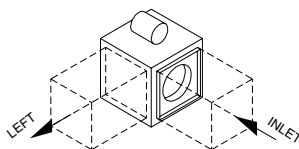


FIG. B

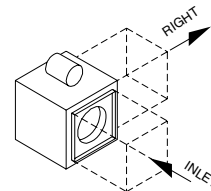


FIG. C

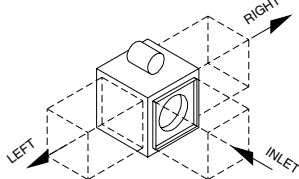


FIG. D

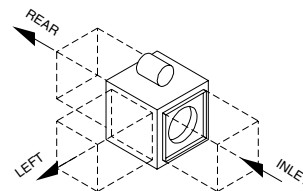


FIG. E

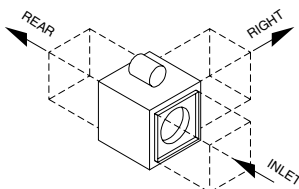


FIG. F

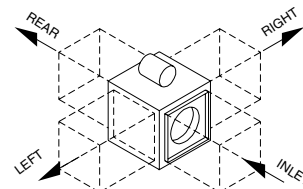


FIG. G

Performance Correction Factors

DISCHARGE	0.50" SP		1.00" SP		1.50" SP		2.00" SP		AVG.	
	CFM	BHP	CFM	BHP	CFM	BHP	CFM	BHP	CFM	BHP
1-Way	110.7%	113.0%	114.0%	110.8%	115.8%	108.5%	120.0%	102.3%	115.1%	108.7%
2-Way	114.7%	106.5%	118.1%	109.7%	120.3%	112.4%	126.8%	114.0%	120.0%	110.7%
3-Way	113.2%	105.9%	117.4%	109.7%	121.6%	113.0%	127.1%	114.0%	119.8%	110.7%

NOTE: The performance correction factors shown above are not licensed to bear the AMCA Certified Ratings Seal.

Duct Openings

MODEL SCBD	MODEL SCDD	LEFT AND RIGHT DISCHARGE			REAR DISCHARGE/INLET		
		DUCT COLLAR		DUCT SIZE REQUIRED	DUCT COLLAR		DUCT SIZE REQUIRED
		WIDTH	HEIGHT		WIDTH	HEIGHT	
080	080	11.88	11.88	12 x 12	11.88	11.88	12 x 12
090	090	11.88	11.88	12 x 12	11.88	11.88	12 x 12
100	100	13.88	13.88	14 x 14	13.88	13.88	14 x 14
120	120	15.88	15.88	16 x 16	15.88	15.88	16 x 16
135	135	17.88	17.88	18 x 18	17.88	17.88	18 x 18
150	150	19.88	19.88	20 x 20	19.88	19.88	20 x 20
165	165	22.88	22.88	23 x 23	22.88	22.88	23 x 23
180	—	23.88	23.88	24 x 24	23.88	23.88	24 x 24
210	—	27.88	27.88	28 x 28	27.88	27.88	28 x 28
225	—	25.88	28.88	26 x 29	29.88	29.88	30 x 30
245	—	27.88	31.88	28 x 32	32.88	32.88	33 x 33
270	—	29.88	33.88	30 x 34	35.88	35.88	36 x 36
300	—	29.88	37.88	30 x 38	39.88	39.88	40 x 40
330	—	31.88	39.88	32 x 40	43.88	43.88	44 x 44
365	—	32.88	41.88	33 x 42	45.88	45.88	46 x 46
402	—	34.88	46.88	35 x 47	51.88	51.88	52 x 52

NOTE: Damper size should be 1/8" less than duct size required, or same size as duct collar.

SCDD - 60 Hz

EC MOTOR		PSC MOTOR		RPM	MAX. BHP	STATIC PRESSURE (INCHES W.G.)										FAN EFF. GRADE		
SIZE	MTR HP	SIZE	MTR HP			0	0.125	0.25	0.375	0.50	0.625	0.75	1.00	1.25	1.50		1.75	2.00
						CFM SONE												
080AE	1/6	080A	1/8	860	0.01	323 4.2	247 3.4										N/A	
			1/8	1160	0.03	436 7.4	382 6.3	321 6.1	232 5.5									
			1/8	1650	0.10	620 10.4	583 10.4	545 8.7	505 8.0	459 8.6	403 8.3	335 7.3						
		---	---	1750	0.12	658 10.9	623 10.9	587 9.5	550 8.8	510 9.0	461 9.1	405 8.0						
090AE	1/4	090A	1/8	860	0.02	495 5.9	390 4.4										N/A	
			1/8	1160	0.05	668 9.8	592 8.2	510 7.9	401 6.4									
			1/8	1650	0.14	950 13.0	897 13.0	843 11.2	789 10.3	729 11.1	660 10.7	578 8.5						
		---	---	1750	0.17	1008 13.7	958 13.7	907 12.3	856 11.3	803 11.4	742 11.8	673 10.9						
100AE	1/2	100A	1/8	860	0.04	787 7.8	666 6.0	520 6.2									N/A	
			1/8	1160	0.11	1061 13.3	973 12.1	882 10.0	780 10.9	651 9.0								
			1/3	1750	0.36	1601 17.8	1543 17.8	1484 17.6	1424 15.9	1365 14.7	1303 14.8	1236 15.6	1083 14.9	877 11.7				
120AE	3/4	120A	1/8	860	0.07	1047 5.8	951 5.3	830 5.1	586 4.3								N/A	
			1/4	1160	0.18	1413 9.3	1344 9.3	1268 8.1	1183 7.7	1079 8.3	923 6.9							
			3/4	1750	0.63	2132 17.9	2087 17.9	2041 17.9	1993 17.7	1942 16.5	1889 15.5	1834 14.8	1709 15.6	1551 16.1	1288 14.2			
135ANE	3/4	135AN	1/8	860	0.08	1041 6.9	941 6.2	819 5.5	670 5.2								N/A	
			1/4	1160	0.20	1404 11.4	1332 11.4	1254 9.6	1165 8.4	1070 9.1	962 9.1	823 7.9						
			3/4	1750	0.69	2118 17.8	2071 17.8	2024 17.8	1974 17.8	1922 16.9	1867 15.7	1808 15.4	1685 15.9	1554 16.6	1401 14.8	1203 14.6		899 14.6
135AE	1, 2	135A	1/4	860	0.13	1437 7.1	1331 6.7	1208 5.9	1041 6.1								FEG56	
			1/2	1160	0.31	1938 11.2	1862 11.2	1780 10.7	1691 9.4	1591 9.4	1471 10.0	1306 8.9						
			1*	1750	1.07	2924 22	2875 22	2824 22	2771 22	2717 21	2660 20	2601 19.0	2476 18.3	2334 19.4	2161 19.6	1918 17.5		
150ANE	1, 2	150AN	1/4	860	0.13	1385 8.2	1277 7.9	1150 6.3	1005 6.9	810 5.9							FEG53	
			1/2	1160	0.32	1868 13.7	1790 13.7	1707 12.1	1615 10.5	1513 10.1	1407 11.0	1288 11.0	940 9.5					
			1*	1750	1.11	2818 21	2767 21	2715 21	2662 21	2606 20	2549 19.6	2488 18.6	2359 18.0	2221 19.2	2077 19.7	1913 18.5		1713 17.2
150AE	1	150A	1/4	860	0.20	1913 8.5	1798 8.5	1668 7.1	1513 7.5	1286 6.7							FEG56	
			1/2	1160	0.50	2580 13.5	2497 13.5	2409 13.3	2315 11.9	2213 11.3	2099 11.4	1965 12.1	1514 10.0					
	1	1200	0.55	2669 20	2589 20	2504 20	2414 20	2317 19.3	2212 18.2	2091 17.5	1742 17.2		18.3	17.0				
	2	1750	1.72	3892 26	3838 26	3783 26	3726 26	3667 26	3607 25	3545 24	3414 22	3273 22	3116 22	2931 23	2699 22			
165ANE	1**	165AN	1/4	860	0.23	2094 7.7	1953 7.6	1805 6.9	1647 7.2	1472 7.3	1248 7.2						FEG60	
			1/2	1160	0.56	2825 12.4	2721 12.4	2615 12.0	2506 11.4	2394 11.0	2277 11.2	2155 12.0	1877 11.2	1457 11.3				
			2	1750	1.93	4261 22	4193 22	4124 22	4054 22	3984 21	3912 21	3840 21	3694 20	3543 20	3386 21	3223 22		3048 23
165AE	1	165A	1/2	860	0.33	2898 10.1	2683 9.9	2499 8.9	2323 9.2	2069 9.4	1773 8.2						FEG60	
			1	1160	0.81	3909 16.5	3744 16.5	3592 15.6	3452 14.7	3327 14.2	3199 14.8	3044 15.7	2640 13.7	2152 13.5				
	2	1500	1.76	5055 24	4925 24	4802 24	4684 23	4571 22	4465 21	4368 21	4174 21	3941 22	3637 22	3310 19.2	2935 19.8			
	---	---	1750	2.8	5898 30	5786 30	5678 30	5574 30	5473 29	5375 28	5281 27	5109 26	4945 26	4769 27	4552 28	4289 27		

* Designates motors that cannot be used with speed controller.
EC Motor is an Electronically Commutated Motor.
PSC Motor is a Permanent Split Capacitor Motor.

** Performance available with 1 HP 1160 RPM ECODP motors or 1 HP 1750 RPM ECTEFC motors. 1160 RPM maximum.

NOTES:

1. Performance certified is for Installation Type B: Free inlet, ducted outlet.
2. Performance ratings do not include the effects of appurtenances (accessories).
3. The sound ratings shown are loudness values in fan sones at 1.5m (5 ft.) in a hemispherical free field calculated per AMCA International Standard 301.
4. Values shown are for Installation Type B: free inlet hemispherical sone levels.

Belt Driven

SCBD | Size 080A

Outlet Area = 1.17 ft²

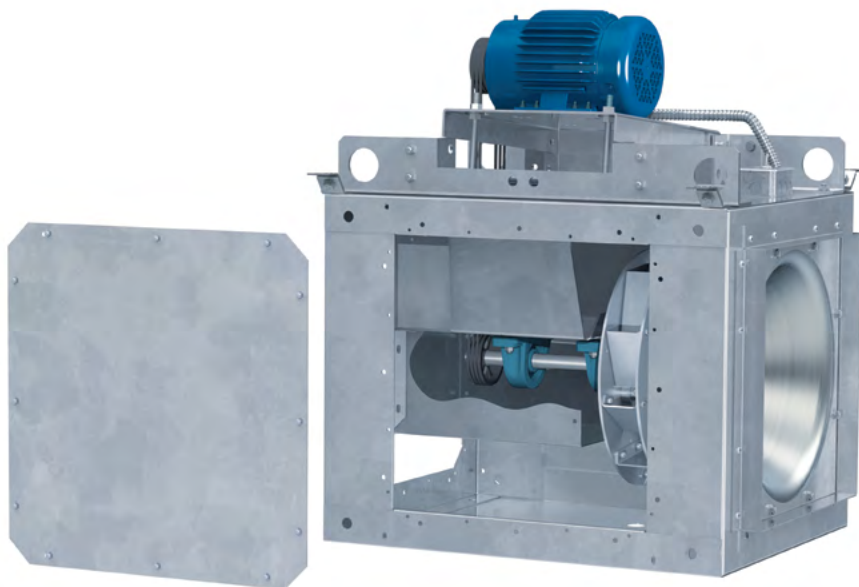
Fan Efficiency Grade: FEG50

HP	RPM	STATIC PRESSURE (INCHES W.G.)																							
		0.125		0.25		0.50		0.75		1.00		1.25		1.50		1.75		2.00		2.25		2.50		3.00	
		CFM	Sone	CFM	Sone	CFM	Sone	CFM	Sone	CFM	Sone	CFM	Sone	CFM	Sone	CFM	Sone	CFM	Sone	CFM	Sone	CFM	Sone	CFM	Sone
1/4	850	241																							
		0.01	3.1																						
	1050	333		261																					
		0.03	4.6	0.03	4.7																				
	1250	419		363																					
		0.04	6.6	0.04	5.9																				
	1450	502		455		349																			
		0.06	9.0	0.07	7.3	0.07	7.5																		
	1650	584		542		457		344																	
		0.09	11.0	0.10	9.1	0.10	9.2	0.10	7.8																
1850	664		627		552		470		352																
	0.13	11.8	0.14	11.0	0.14	9.9	0.14	10.7	0.13	9.1															
2050	744		710		643		574		493		376														
	0.18	13.9	0.18	12.8	0.19	11.2	0.19	12.2	0.19	11.7	0.18	10.6													
2250	823		792		730		669		604		525		416												
	0.24	15.6	0.24	15.1	0.25	13.0	0.26	13.0	0.26	14.2	0.26	13.2	0.24	12.3											
2375	872		843		784		726		667		599		516		390										
	0.28	16.8	0.28	16.8	0.29	14.3	0.30	13.8	0.30	14.8	0.30	15.2	0.30	13.0	0.27	13.3									
2500	921		893		837		783		727		667		597		509										
	0.32	18.3	0.33	18.3	0.34	16.0	0.35	15.1	0.35	15.6	0.35	16.5	0.35	15.8	0.34	14.3									
2660	984		957		904		853		801		748		689		620		534								
	0.39	20	0.39	20	0.40	18.4	0.41	16.7	0.42	16.4	0.43	18.1	0.43	18.3	0.42	16.8	0.41	16.0							
2860	1062		1037		988		940		892		843		793		737		673		597						
	0.48	23	0.49	23	0.50	21	0.51	19.6	0.52	18.6	0.53	19.1	0.53	20	0.53	21	0.52	19.1	0.51	17.5					
3060	1139		1116		1070		1025		980		935		889		842		789		730		576				
	0.59	26	0.59	26	0.61	25	0.62	23	0.63	21	0.64	21	0.65	21	0.65	22	0.65	23	0.64	21	0.61	19.4			
3260	1217		1195		1152		1109		1067		1025		982		939		894		845		729		559		
	0.71	29	0.72	29	0.73	29	0.74	25	0.76	24	0.77	23	0.77	23	0.78	24	0.79	25	0.79	25	0.77	22	0.72	22	
3425	1281		1260		1218		1177		1137		1097		1057		1016		975		932		833		708		
	0.82	33	0.83	33	0.84	32	0.86	29	0.87	26	0.88	25	0.89	24	0.90	25	0.91	26	0.91	27	0.91	26	0.87	23	
3590	1344		1324		1285		1246		1207		1169		1131		1092		1053		1013		926		823		
	0.94	35	0.95	35	0.97	35	0.98	33	1.00	30	1.01	28	1.02	27	1.03	27	1.03	27	1.05	29	1.05	29	1.03	26	

MAXIMUM MOTOR FRAME SIZE: 145T

NOTES:

1. Performance certified is for Installation Type B: Free inlet, ducted outlet.
2. Power rating (BHP) does not include transmission losses.
3. Performance ratings do not include the effects of appurtenances (accessories).
4. The sound ratings shown are loudness values in fan sones at 5 ft. (1.5m) in a hemispherical free field calculated per AMCA International Standard 301.
5. Values shown are for installation Type B: free inlet hemispherical sone levels.



SCBD | 090A

Outlet Area = 1.62 ft²

Fan Efficiency Grade: FEG60

HP	RPM	STATIC PRESSURE (INCHES W.G.)																							
		0.125		0.25		0.50		0.75		1.00		1.25		1.50		1.75		2.00		2.25		2.75		3.25	
		CFM	Sone	CFM	Sone	CFM	Sone	CFM	Sone	CFM	Sone	CFM	Sone	CFM	Sone	CFM	Sone	CFM	Sone	CFM	Sone	CFM	Sone	CFM	Sone
1/4	1450	752		697		562																			
		0.09	9.0	0.09	8.2	0.10	8.8																		
	1650	869		822		715		576																	
		0.13	11.1	0.13	10.6	0.14	10.1	0.14	10.9																
1850	984		944		854		748		608																
	0.18	13.2	0.18	13.3	0.19	12.0	0.20	12.8	0.20	12.4															
2015	1079		1042		962		872		764		616														
	0.23	14.8	0.23	14.8	0.25	13.5	0.26	13.1	0.26	14.4	0.25	12.7													
1/3	2120	1139		1104		1029		946		851		734		505											
		0.27	15.8	0.27	15.8	0.28	14.4	0.30	13.9	0.30	14.8	0.30	14.8	0.27	13.2										
2230	1201		1168		1099		1022		935		835		703												
	0.31	16.8	0.31	16.8	0.33	15.9	0.34	14.7	0.35	15.5	0.35	16.2	0.35	14.1											
1/2	2390	1292		1262		1197		1128		1052		967		868		736									
		0.38	17.9	0.38	17.9	0.40	17.6	0.41	16.3	0.43	16.3	0.43	17.3	0.44	17.3	0.42	14.4								
2550	1382		1354		1295		1231		1163		1088		1004		908		781								
	0.46	19.8	0.47	19.8	0.48	19.6	0.49	18.7	0.51	17.9	0.52	18.4	0.53	19.4	0.53	18.6	0.51	16.0							
3/4	2735	1487		1460		1406		1348		1286		1220		1149		1069		979		866		646			
		0.56	22	0.57	22	0.59	22	0.60	21	0.62	20	0.63	20	0.65	21	0.65	22	0.65	21	0.64	18.4	0.58	17.3		
2920	1591		1566		1515		1462		1406		1347		1283		1215		1140		1056		956				
	0.69	25	0.69	25	0.71	25	0.73	24	0.74	23	0.76	22	0.78	22	0.79	24	0.79	24	0.79	23	0.78	21			
1	3060	1669		1646		1598		1547		1495		1440		1381		1319		1251		1178		1097		863	
		0.79	26	0.80	26	0.81	26	0.83	26	0.85	25	0.87	24	0.88	24	0.90	24	0.91	25	0.91	26	0.91	25	0.87	21
3205	1750		1728		1682		1635		1585		1534		1480		1422		1361		1296		1224		1055		
	0.90	28	0.91	28	0.93	28	0.95	28	0.97	27	0.99	26	1.01	26	1.02	26	1.04	27	1.05	28	1.05	28	1.04	24	

MAXIMUM MOTOR FRAME SIZE: 145T

SCBD | 100A

Outlet Area = 2.20 ft²

Fan Efficiency Grade: FEG56

HP	RPM	STATIC PRESSURE (INCHES W.G.)																							
		0.13		0.25		0.38		0.50		0.75		1.00		1.25		1.50		1.75		2.00		2.25		2.50	
		CFM	Sone	CFM	Sone	CFM	Sone	CFM	Sone	CFM	Sone	CFM	Sone	CFM	Sone	CFM	Sone	CFM	Sone	CFM	Sone	CFM	Sone	CFM	Sone
1/4	1025	816		716		592																			
		0.07	6.8	0.07	6.2	0.07	6.9																		
	1275	1053		981		899		806																	
		0.13	9.9	0.13	9.1	0.14	8.7	0.14	9.5																
1465	1229		1169		1103		1030		859																
	0.19	12.3	0.20	12.1	0.20	11.2	0.21	10.8	0.22	12.1															
1565	1321		1265		1205		1140		992		790														
	0.23	13.7	0.24	13.7	0.25	12.8	0.25	12.2	0.26	13.1	0.26	12.7													
1/3	1645	1394		1341		1285		1225		1090		924													
		0.27	15.0	0.28	14.5	0.28	13.9	0.29	13.2	0.30	13.9	0.31	14.3												
1725	1467		1417		1364		1308		1184		1038		833												
	0.31	16.0	0.32	16.0	0.33	15.4	0.33	14.5	0.35	14.4	0.35	15.6	0.34	14.4											
1/2	1850	1580		1534		1485		1434		1324		1199		1049		818									
		0.38	17.9	0.39	17.9	0.40	17.1	0.41	16.3	0.42	15.5	0.43	16.7	0.44	17.5	0.41	16.1								
1980	1697		1654		1610		1563		1463		1353		1229		1077		825								
	0.47	19.2	0.47	19.2	0.48	19.0	0.49	18.3	0.51	17.2	0.53	17.3	0.53	18.8	0.53	18.1	0.5	16.8							
3/4	2120	1823		1783		1742		1699		1609		1510		1403		1281		1133		894					
		0.57	21	0.58	21	0.59	20	0.60	20	0.62	19.2	0.64	18.6	0.65	19.5	0.66	20	0.65	19.1	0.61	17.9				
2255	1944		1906		1868		1829		1746		1656		1560		1455		1366		1192		970				
	0.68	22	0.69	22	0.70	22	0.71	22	0.74	21	0.76	19.9	0.77	19.9	0.79	21	0.79	21	0.78	19.9	0.74	18.1			
1	2370	2046		2011		1975		1938		1860		1777		1689		1593		1489		1371		1226		999	
		0.79	24	0.80	24	0.81	24	0.83	24	0.85	23	0.87	22	0.89	22	0.91	22	0.92	23	0.92	22	0.91	20	0.85	19.3
2480	2145		2111		2077		2041		1968		1891		1808		1720		1626		1522		1405		1259		
	0.91	25	0.92	25	0.93	25	0.94	25	0.96	24	0.99	23	1.01	23	1.03	23	1.04	24	1.05	25	1.05	24	1.03	21	

MAXIMUM MOTOR FRAME SIZE: 145T

NOTES:

- Performance certified is for Installation Type B: Free inlet, ducted outlet.
- Power rating (BHP) does not include transmission losses.
- Performance ratings do not include the effects of appurtenances (accessories).
- The sound ratings shown are loudness values in fan sones at 5 ft. (1.5m) in a hemispherical free field calculated per AMCA International Standard 301.
- Values shown are for installation Type B: free inlet hemispherical sone levels.

Belt Driven

SCBD | 120A

Outlet Area = 2.67 ft²

Fan Efficiency Grade: FEG56

HP	RPM	STATIC PRESSURE (INCHES W.G.)																						
		0.125		0.25		0.375		0.50		0.625		0.75		1.00		1.50		1.75		2.00		2.25		
		CFM	BHP Sone	CFM	BHP Sone	CFM	BHP Sone	CFM	BHP Sone	CFM	BHP Sone	CFM	BHP Sone	CFM	BHP Sone	CFM	BHP Sone	CFM	BHP Sone	CFM	BHP Sone	CFM	BHP Sone	
1/4	700	716	0.04	3.5	489	0.04	3.0																	
	900	990	0.08	6.2	880	0.09	6.0	710	0.09	5.7														
		1100	1252	0.15	9.2	1166	0.16	7.9	1074	0.16	8.0	944	0.16	8.5	748	0.15	6.8							
	1290	1495	0.24	11.6	1423	0.25	10.9	1349	0.26	10.1	1271	0.26	10.8	1169	0.26	10.3								
1355		1578	0.27	12.5	1509	0.28	11.9	1439	0.29	10.9	1367	0.30	10.7	1282	0.30	11.3	1041							
1420	1660	0.31	13.6	1595	0.32	13.0	1528	0.33	11.8	1461	0.34	11.6	1387	0.35	12.4	1040								
	1792	0.39	14.9	1732	0.40	14.9	1670	0.41	13.9	1607	0.42	13.1	1543	0.43	13.4	1275								
1525	1923	0.47	16.7	1867	0.48	16.7	1810	0.49	15.8	1751	0.50	14.5	1693	0.51	14.3	1476	1267							
	2072	0.58	18.6	2020	0.59	18.6	1968	0.61	17.7	1913	0.62	16.8	1859	0.64	15.6	1681	1514	1302						
1750	2215	0.70	21	2166	0.71	21	2117	0.73	20	2067	0.74	19.4	2016	0.75	18.3	1804	1681	1514	1302					
	2326	0.80	22	2280	0.82	22	2233	0.83	22	2186	0.85	22	2137	0.86	20	1990	1877	1731	1557	1285				
1955	2437	0.92	24	2393	0.93	24	2349	0.94	23	2304	0.97	23	2258	0.99	22	2118	2017	1894	1741	1564				
	2622	1.13	26	2582	1.15	26	2540	1.17	26	2498	1.18	26	2456	1.20	25	2326	2238	2140	2022	1879	1718			
2195	2807	1.21	27	2769	1.23	27	2730	1.25	27	2691	1.27	27	2652	1.28	25	2531	2450	2365	2271	2159	2026			
	2345	1.38	30	2400	1.40	30	2350	1.42	30	2300	1.43	30	2250	1.45	29	2150	2050	1950	1850	1750	1650	1550	1450	1350

MAXIMUM MOTOR FRAME SIZE: 145T

SCBD | 120AHP

Outlet Area = 2.67 ft²

Fan Efficiency Grade: FEG53

HP	RPM	STATIC PRESSURE (INCHES W.G.)																							
		0.75		1.00		1.25		1.50		1.75		2.00		2.25		2.50		2.75		3.00		3.25		3.50	
		CFM	BHP Sone	CFM	BHP Sone	CFM	BHP Sone	CFM	BHP Sone	CFM	BHP Sone	CFM	BHP Sone	CFM	BHP Sone	CFM	BHP Sone	CFM	BHP Sone	CFM	BHP Sone	CFM	BHP Sone	CFM	BHP Sone
1/2	1240	586	0.15	7.6																					
	1450	921	0.26	10.7	720	0.24	9.6																		
1525		1020	0.30	11.3	855	0.30	10.9																		
	1600	1112	0.34	11.8	963	0.35	12.2	754	0.32	10.8															
1720		1249	0.42	13.1	1125	0.43	13.6	978	0.43	13.1															
	1840	1378	0.51	14.4	1275	0.52	14.4	1146	0.53	15.3	1004	0.52	14.2												
1970		1513	0.62	16.9	1424	0.63	16.0	1318	0.64	16.4	1193	0.64	16.6	1055	0.63	15.2									
	2105	1650	0.75	19.3	1571	0.77	18.0	1482	0.78	17.5	1375	0.79	18.4	1257	0.79	18.2	1126	0.77	17.0						
2210		1755	0.86	21	1681	0.88	20	1601	0.90	19.0	1509	0.91	19.2	1401	0.91	19.8	1287	0.88	17.8	1153					
	2315	1858	0.98	24	1788	1.00	21	1715	1.02	20	1634	1.04	20	1539	1.05	21	1433	1.05	21	1323	1187				
2485		2024	1.21	27	1960	1.23	25	1894	1.25	24	1824	1.27	23	1747	1.28	23	1658	1.29	23	1560	1459	1348	1184		
	2655	2187	1.46	30	2128	1.49	29	2067	1.51	27	2005	1.53	26	1938	1.55	25	1866	1.56	25	1784	1692	1598	1501	1384	1206

MAXIMUM MOTOR FRAME SIZE: 145T

NOTES:

1. Performance certified is for Installation Type B: Free inlet, ducted outlet.
2. Power rating (BHP) does not include transmission losses.
3. Performance ratings do not include the effects of appurtenances (accessories).
4. The sound ratings shown are loudness values in fan sones at 5 ft. (1.5m) in a hemispherical free field calculated per AMCA International Standard 301.
5. Values shown are for installation Type B: free inlet hemispherical sone levels.

SCBD | 135A

Outlet Area = 3.22 ft²

Fan Efficiency Grade: FEG53

HP	RPM	STATIC PRESSURE (INCHES W.G.)																								
		0.125		0.25		0.375		0.50		0.625		0.75		1.00		1.25		1.50		1.75		2.00		2.25		
		CFM	Sone	CFM	Sone	CFM	Sone	CFM	Sone	CFM	Sone	CFM	Sone	CFM	Sone	CFM	Sone	CFM	Sone	CFM	Sone	CFM	Sone	CFM	Sone	
1/4	900	1386		1268		1120		894																		
		0.14	8.0	0.15	7.1	0.15	7.7	0.15	6.1																	
1/4	1075	1696		1599		1500		1380		1217																
		0.23	11.0	0.24	9.8	0.25	9.4	0.26	10.0	0.26	9.8															
1/3	1130	1792		1700		1607		1503		1365		1192														
		0.27	11.8	0.28	10.8	0.29	10.1	0.30	10.3	0.30	10.9	0.29	9.6													
1/3	1190	1897		1810		1721		1629		1515		1367														
		0.31	12.6	0.33	12.0	0.34	10.9	0.34	10.9	0.35	11.7	0.35	11.4													
1/2	1280	2053		1973		1890		1807		1716		1602		1292												
		0.39	13.9	0.40	13.4	0.41	12.4	0.42	12.0	0.43	12.2	0.43	13.0	0.42	10.8											
1/2	1370	2208		2133		2057		1980		1901		1811		1568												
		0.47	15.4	0.49	15.4	0.50	14.4	0.51	13.3	0.52	13.2	0.53	14.0	0.53	14.1											
3/4	1465	2370		2301		2231		2158		2086		2010		1818		1559										
		0.58	17.0	0.59	17.0	0.61	16.0	0.62	15.0	0.63	14.8	0.64	14.8	0.65	15.8	0.64	14.3									
3/4	1565	2541		2477		2411		2344		2277		2208		2054		1843		1572								
		0.70	19.0	0.72	19.0	0.73	18.3	0.75	17.2	0.76	16.5	0.77	16.2	0.79	17.2	0.79	17.3	0.77	14.8							
1	1640	2669		2608		2545		2482		2417		2353		2215		2038		1813								
		0.81	20	0.82	20	0.84	20	0.86	19.1	0.87	18.1	0.88	17.4	0.91	17.6	0.91	18.9	0.9	17.7							
1	1720	2805		2747		2687		2627		2566		2504		2378		2229		2034		1801						
		0.93	22	0.95	22	0.96	22	0.98	21	1.00	19.8	1.01	19.1	1.04	18.6	1.05	19.7	1.05	19.9	1.04	18.1					
1 1/2	1845	3017		2963		2908		2852		2795		2738		2623		2500		2350		2163		1946				
		1.14	25	1.16	25	1.18	25	1.20	24	1.22	23	1.23	22	1.27	21	1.29	21	1.30	22	1.29	22	1.28	21			
1 1/2	1970	3228		3178		3127		3075		3022		2969		2862		2752		2632		2484		2305		2105		
		1.39	27	1.41	27	1.43	27	1.45	27	1.47	26	1.49	25	1.52	24	1.55	23	1.58	24	1.58	25	1.58	24	1.56	23	

MAXIMUM MOTOR FRAME SIZE: 145T

SCBD | 135AHP

Outlet Area = 3.22 ft²

Fan Efficiency Grade: FEG53

HP	RPM	STATIC PRESSURE (INCHES W.G.)																								
		0.25		0.50		0.75		1.00		1.25		1.50		1.75		2.00		2.25		2.50		2.75		3.00		
		CFM	Sone	CFM	Sone	CFM	Sone	CFM	Sone	CFM	Sone	CFM	Sone	CFM	Sone	CFM	Sone	CFM	Sone	CFM	Sone	CFM	Sone	CFM	Sone	
1/4	1050	1116		899																						
		0.16	8.5	0.17	8.1																					
1/4	1200	1321		1161		937																				
		0.23	11.4	0.24	9.3	0.25	9.5																			
1/3	1275	1421		1276		1081		789																		
		0.28	12.6	0.29	10.1	0.30	10.8	0.26	9.7																	
1/3	1350	1520		1387		1219		1007																		
		0.33	14.0	0.34	11.5	0.35	11.7	0.35	11.0																	
1/2	1450	1651		1529		1390		1206		966																
		0.40	15.5	0.42	13.2	0.43	12.4	0.44	13.0	0.41	11.6															
1/2	1550	1780		1668		1546		1392		1212																
		0.49	17.2	0.51	15.0	0.52	13.6	0.53	14.4	0.53	13.9															
3/4	1655	1915		1812		1701		1573		1412		1237														
		0.59	19.0	0.61	17.4	0.63	15.2	0.64	15.2	0.65	16.0	0.64	14.6													
3/4	1765	2055		1959		1858		1747		1613		1457		1283												
		0.71	21	0.74	19.7	0.76	17.6	0.77	16.2	0.78	17.1	0.79	17.2	0.77	15.5											
1	1855	2169		2079		1983		1882		1767		1625		1475		1286										
		0.82	22	0.85	21	0.87	19.1	0.89	18.0	0.91	17.6	0.91	18.4	0.91	18.2	0.87	16.4									
1	1945	2282		2197		2107		2013		1910		1788		1646		1501		1294								
		0.94	24	0.97	23	1.00	21	1.02	19.4	1.04	18.6	1.05	19.5	1.05	19.9	1.04	19.3	0.98	17.8							
1 1/2	2085	2458		2379		2297		2211		2121		2021		1903		1771		1637		1470						
		1.16	26	1.19	26	1.22	24	1.24	22	1.26	21	1.28	21	1.29	22	1.30	22	1.29	22	1.25	19.7					
1 1/2	2225	2633		2560		2484		2405		2323		2236		2139		2027		1903		1779		1639		1423		
		1.40	29	1.44	29	1.47	27	1.50	26	1.52	24	1.54	23	1.56	23	1.57	24	1.57	24	1.57	24	1.55	23	1.43	22	

MAXIMUM MOTOR FRAME SIZE: 145T

NOTES:

- Performance certified is for Installation Type B: Free inlet, ducted outlet.
- Power rating (BHP) does not include transmission losses.
- Performance ratings do not include the effects of appurtenances (accessories).
- The sound ratings shown are loudness values in fan sones at 5 ft. (1.5m) in a hemispherical free field calculated per AMCA International Standard 301.
- Values shown are for installation Type B: free inlet hemispherical sone levels.

Belt Driven

SCBD | 150A

Outlet Area = 3.90 ft²

Fan Efficiency Grade: FEG53

HP	RPM	STATIC PRESSURE (INCHES W.G.)																					
		0.125		0.25		0.375		0.50		0.625		0.75		1.00		1.50		1.75		2.00		2.25	
		CFM	BHP Sone	CFM	BHP Sone	CFM	BHP Sone	CFM	BHP Sone	CFM	BHP Sone	CFM	BHP Sone	CFM	BHP Sone	CFM	BHP Sone	CFM	BHP Sone	CFM	BHP Sone	CFM	BHP Sone
1/4	825	1693		1552		1378		1115															
		0.17	8.2	0.18	7.3	0.19	7.9	0.18	6.6														
1/3	920	1918		1793		1660		1481		1235													
		0.24	10.2	0.25	9.1	0.26	8.7	0.26	9.5	0.25	7.7												
1/2	1095	2035		1917		1795		1646		1444													
		0.28	10.9	0.29	9.9	0.30	9.3	0.30	10.1	0.30	9.8												
3/4	1335	2152		2040		1925		1798		1626		1410											
		0.32	11.7	0.33	11.1	0.34	10.1	0.35	10.7	0.35	10.9	0.35	9.8										
1	1465	2326		2222		2116		2006		1874		1701											
		0.39	13.2	0.41	12.6	0.42	11.5	0.43	11.4	0.44	12.3	0.44	12.4										
1 1/2	1845	2498		2402		2303		2203		2094		1959		1593									
		0.48	14.6	0.49	14.2	0.51	13.0	0.52	12.5	0.53	12.9	0.53	13.4	0.52	11.7								
2	2090	2682		2592		2500		2407		2311		2204		1913									
		0.58	16.2	0.60	15.8	0.61	14.8	0.63	14.0	0.64	13.6	0.65	14.3	0.65	14.7								
3	2592	2876		2792		2707		2620		2532		2440		2209		1898							
		0.70	18.0	0.72	18.0	0.74	17.1	0.76	15.8	0.77	15.3	0.78	15.3	0.79	16.7	0.78	15.1						
4	3144	3024		2944		2863		2780		2697		2613		2416		2147		1771					
		0.81	18.8	0.83	18.8	0.85	18.5	0.87	17.5	0.88	16.8	0.90	16.1	0.91	17.3	0.91	17.3	0.88	14.4				
5	3708	3171		3096		3019		2940		2860		2781		2607		2377		2090					
		0.93	20	0.95	20	0.97	20	0.99	19.0	1.00	18.1	1.02	17.7	1.04	17.7	1.05	18.9	1.03	17.2				
6	4272	3409		3339		3267		3195		3120		3046		2894		2715		2483		2206			
		1.14	23	1.16	23	1.18	23	1.20	22	1.22	20	1.24	19.8	1.27	19.4	1.29	21	1.29	21	1.27	18.9		
7	4836	3657		3592		3525		3458		3389		3320		3181		3032		2851		2625		2365	
		1.39	25	1.41	25	1.44	25	1.46	25	1.48	24	1.50	22	1.54	21	1.57	21	1.58	23	1.57	23	1.56	21
8	5400	3837		3775		3712		3648		3583		3517		3385		3248		3094		2903		2676	2412
		1.59	27	1.62	27	1.64	27	1.67	27	1.69	25	1.71	24	1.75	23	1.79	23	1.81	24	1.82	25	1.81	24
9	5964	4028		3969		3909		3848		3787		3724		3598		3471		3334		3174		2979	2758
		1.83	29	1.86	29	1.89	29	1.91	29	1.94	28	1.96	27	2.00	25	2.04	25	2.08	25	2.09	26	2.09	27
10	6528																						
		2.08	31	2.11	31	2.14	31	2.17	31	2.20	30	2.23	29	2.27	28	2.31	28	2.35	28	2.39	28	2.43	28

MAXIMUM MOTOR FRAME SIZE: 184T

SCBD | 150AHP

Outlet Area = 3.90 ft²

Fan Efficiency Grade: FEG53

HP	RPM	STATIC PRESSURE (INCHES W.G.)																							
		0.50		0.75		1.00		1.25		1.50		1.75		2.00		2.25		2.50		2.75		3.00		3.25	
		CFM	BHP Sone	CFM	BHP Sone	CFM	BHP Sone	CFM	BHP Sone	CFM	BHP Sone	CFM	BHP Sone	CFM	BHP Sone	CFM	BHP Sone	CFM	BHP Sone	CFM	BHP Sone	CFM	BHP Sone	CFM	BHP Sone
1/3	950	1078																							
		0.20	8.3																						
1/2	1140	1505		1261																					
		0.34	10.4	0.34	10.8																				
3/4	1230	1682		1481		1226																			
		0.42	11.9	0.43	12.0	0.42	11.5																		
1	1320	1853		1684		1465		1175																	
		0.51	13.6	0.52	12.8	0.53	13.6	0.49	11.9																
2	1415	2029		1881		1698		1482																	
		0.62	15.9	0.64	14.4	0.65	14.8	0.65	14.5																
3	1510	2201		2067		1914		1723		1512															
		0.75	17.8	0.77	16.1	0.79	15.5	0.79	16.5	0.78	15.6														
4	1585	2335		2210		2073		1906		1714		1484													
		0.86	19.6	0.88	17.9	0.90	16.9	0.92	17.5	0.92	17.6	0.88	15.6												
5	1660	2468		2350		2224		2078		1902		1715		1444											
		0.98	21	1.01	19.0	1.03	18.0	1.05	18.1	1.05	19.0	1.05	17.8	0.97	16.6										
6	1780	2679		2570		2457		2333		2189		2023		1848		1615									
		1.20	24	1.23	22	1.26	20	1.28	19.4	1.29	20	1.30	21	1.29	19.9	1.23	18.4								
7	1900	2887		2787		2682		2573		2453		2313		2155		1992		1794							
		1.45	27	1.48	25	1.51	23	1.54	22	1.56	22	1.58	22	1.58	23	1.57	22	1.53	20						
8	1995	3050		2956		2858		2756		2648		2527		2387		2235		2079		1889					
		1.67	29	1.71	27	1.74	26	1.77	24	1.79	23	1.81	23	1.83	25	1.83	25	1.82	24	1.77	22				
9	2090	3213		3123		3031		2935		2835		2728		2607		2469		2324		2175		1995		1721	
		1.91	31	1.95	29	1.99	28	2.02	26	2.05	25	2.07	25	2.09	25	2.10	26	2.10	26	2.09	26	2.04	24	1.86	24

MAXIMUM MOTOR FRAME SIZE: 184T

NOTES:

1. Performance certified is for Installation Type B: Free inlet, ducted outlet.
2. Power rating (BHP) does not include transmission losses.
3. Performance ratings do not include the effects of appurtenances (accessories).
4. The sound ratings shown are loudness values in fan sones at 5 ft. (1.5m) in a hemispherical free field calculated per AMCA International Standard 301.
5. Values shown are for installation Type B: free inlet hemispherical sone levels.

SCBD | 165A

Outlet Area = 4.83 ft²

Fan Efficiency Grade: FEG56

HP	RPM	STATIC PRESSURE (INCHES W.G.)																								
		0.125		0.25		0.375		0.50		0.625		0.75		1.00		1.25		1.50		1.75		2.00		2.25		
		CFM	BHP Sone	CFM	BHP Sone	CFM	BHP Sone	CFM	BHP Sone	CFM	BHP Sone	CFM	BHP Sone	CFM	BHP Sone	CFM	BHP Sone	CFM	BHP Sone	CFM	BHP Sone	CFM	BHP Sone	CFM	BHP Sone	
1/3	810	2636		2420		2167		1919		1441																
		0.27	10.1																							
1/3	875	2876		2690		2450		2238		1965		1403														
		0.34	11.5	0.36	9.6	0.37	8.6	0.38	9.6	0.37	9.6	0.33	9.4													
1/2	940	3114		2948		2737		2522		2324		2029														
		0.42	13.1	0.44	11.4	0.45	9.7	0.46	10.2	0.47	11	0.46	10.5													
1/2	1000	3332		3180		2998		2783		2598		2394														
		0.51	14.2	0.52	13.1	0.54	11.5	0.55	10.8	0.56	11.7	0.56	11.9													
3/4	1075	3602		3464		3308		3115		2924		2756		2269												
		0.63	16.1	0.65	15.2	0.66	13.4	0.68	12.3	0.69	12.3	0.70	13.3	0.68	12.7											
3/4	1145	3853		3726		3586		3420		3230		3062		2711		2031										
		0.76	17.5	0.77	17	0.79	15.6	0.81	14.1	0.82	13.4	0.83	14.1	0.84	14.7	0.77	13.8									
1	1205	4067		3948		3819		3672		3496		3322		3016		2559										
		0.88	18.6	0.90	18.6	0.92	17.1	0.94	15.8	0.95	14.5	0.96	14.5	0.98	15.9	0.96	14.5									
1	1260	4263		4150		4029		3896		3737		3564		3265		2916		2290								
		1.00	19.8	1.02	19.7	1.04	18.9	1.06	17.3	1.08	16	1.10	15.3	1.12	16.7	1.12	16.4	1.04	15.2							
1 1/2	1355	4600		4497		4387		4269		4137		3984		3678		3408		3040		2406						
		1.24	22	1.27	22	1.29	21	1.31	20	1.33	18.9	1.35	17.9	1.38	17.9	1.40	19.2	1.38	18.1	1.28	16.9					
1 1/2	1445	4919		4823		4722		4615		4500		4369		4071		3809		3545		3162		2529				
		1.51	24	1.53	24	1.55	24	1.58	23	1.60	22	1.62	20	1.66	19.2	1.68	20	1.69	21	1.66	18.9	1.54	18			
2	1520	5183		5093		4998		4898		4792		4678		4404		4134		3896		3616		3207		2508		
		1.75	26	1.77	26	1.80	26	1.82	25	1.85	24	1.87	23	1.91	21	1.94	21	1.97	23	1.97	23	1.92	19	1.74	18.8	
2	1590	5430		5344		5254		5161		5062		4957		4710		4439		4204		3970		3667		3234		
		2.00	28	2.03	28	2.05	28	2.08	27	2.10	26	2.13	25	2.17	23	2.21	22	2.24	23	2.26	24	2.24	23	2.17	20	
3	1705	5834		5755		5673		5587		5498		5404		5197		4948		4702		4487		4269		3997		
		2.46	30	2.49	30	2.52	30	2.55	30	2.57	30	2.60	29	2.65	27	2.70	25	2.73	25	2.76	26	2.78	27	2.77	26	
3	1780	6098		6022		5944		5863		5778		5691		5502		5276		5032		4812		4609		4392		
		2.80	34	2.83	34	2.86	34	2.89	34	2.92	32	2.94	32	3.00	29	3.05	27	3.09	26	3.12	27	3.15	29	3.17	29	

MAXIMUM MOTOR FRAME SIZE: 145T

SCBD | 165AHP

Outlet Area = 4.83 ft²

Fan Efficiency Grade: FEG56

HP	RPM	STATIC PRESSURE (INCHES W.G.)																								
		0.75		1.00		1.25		1.50		1.75		2.00		2.25		2.50		2.75		3.00		3.25		3.50		
		CFM	BHP Sone	CFM	BHP Sone	CFM	BHP Sone	CFM	BHP Sone	CFM	BHP Sone	CFM	BHP Sone	CFM	BHP Sone	CFM	BHP Sone	CFM	BHP Sone	CFM	BHP Sone	CFM	BHP Sone	CFM	BHP Sone	
1/2	1000	1620		1053																						
		0.37	9.2	0.33	8.2																					
1/2	1130	2070		1776		1294																				
		0.53	10.6	0.53	10.6	0.49	9.7																			
3/4	1210	2322		2071		1764																				
		0.65	11.3	0.65	12.1	0.65	10.5																			
3/4	1290	2564		2342		2088		1758																		
		0.78	12.3	0.79	12.8	0.79	12.7	0.78	11.5																	
1	1350	2741		2535		2306		2039		1631																
		0.88	13.3	0.90	13.0	0.91	13.9	0.91	12.9	0.86	12.4															
1	1415	2928		2736		2529		2294		2009		1498														
		1.01	14.4	1.03	13.8	1.04	14.2	1.05	14.5	1.04	13.0	0.93	13.0													
1 1/2	1520	3222		3051		2867		2669		2446		2182		1769												
		1.24	16.7	1.27	15.2	1.29	15.2	1.30	16.1	1.30	15.7	1.29	14.5	1.21	14.6											
1 1/2	1620	3495		3341		3175		2998		2808		2597		2351		1995										
		1.48	18.9	1.52	17.0	1.54	16.2	1.56	16.8	1.57	17.2	1.57	17.2	1.56	15.7	1.49	15.7									
2	1700	3710		3567		3413		3250		3077		2890		2684		2443		2099								
		1.69	20	1.74	18.9	1.77	17.9	1.79	17.4	1.81	18.0	1.81	18.6	1.82	18.2	1.8	16.7	1.72	16.8							
2	1785	3936		3803		3660		3509		3350		3182		3000		2802		2572		2254						
		1.94	23	1.99	21	2.03	19.3	2.06	18.9	2.09	18.9	2.10	19.3	2.10	19.6	2.10	19.0	2.09	17.9	2.01	18.0					
3	1920	4289		4169		4042		3907		3766		3618		3464		3299		3121		2928		2697		2382		
		2.39	26	2.45	24	2.50	23	2.54	21	2.57	20	2.59	20	2.61	21	2.61	22	2.62	22	2.62	20	2.59	19.7	2.49	19.7	
3	2040	4600		4489		4373		4250		4122		3988		3849		3704		3551		3388		3214		3020		
		2.84	28	2.91	27	2.97	25	3.01	24	3.05	23	3.08	22	3.11	22	3.13	23	3.13	24	3.14	24	3.14	23	3.13	22	

MAXIMUM MOTOR FRAME SIZE: 145T

NOTES:

- Performance certified is for Installation Type B: Free inlet, ducted outlet.
- Power rating (BHP) does not include transmission losses.
- Performance ratings do not include the effects of appurtenances (accessories).
- The sound ratings shown are loudness values in fan sones at 5 ft. (1.5m) in a hemispherical free field calculated per AMCA International Standard 301.
- Values shown are for installation Type B: free inlet hemispherical sone levels.

Belt Driven

SCBD | 180A

Outlet Area = 5.82 ft²

Fan Efficiency Grade: FEG56

HP	RPM	STATIC PRESSURE (INCHES W.G.)																					
		0.125		0.25		0.375		0.50		0.625		0.75		1.00		1.50		1.75		2.00		2.25	
		CFM	CFM	CFM	CFM	CFM	CFM	CFM	CFM	CFM	CFM	CFM	CFM	CFM	CFM	CFM	CFM	CFM	CFM	CFM	CFM	CFM	CFM
1/3	675	2849	2536	2228	1733																		
	730	3121	2854	2550	2237	1565																	
1/2	785	3389	3159	2864	2607	2243																	
	840	3654	3449	3184	2928	2673	2267																
3/4	900	3941	3756	3529	3270	3048	2784																
	960	4227	4056	3861	3619	3393	3184	2512															
1	1010	4463	4304	4126	3909	3678	3479	2985															
	1055	4675	4525	4359	4164	3939	3736	3329	2586														
1 1/2	1135	5051	4913	4764	4600	4403	4194	3835	3385	2510													
	1210	5401	5274	5138	4991	4824	4631	4267	3927	3418													
2	1275	5704	5585	5458	5322	5175	5004	4638	4323	3954	3378												
	1330	5960	5846	5726	5599	5463	5310	4956	4640	4331	3897	3210											
3	1430	6424	6319	6210	6095	5973	5844	5537	5211	4929	4636	4235	3654										
	1525	6864	6767	6665	6560	6449	6333	6072	5763	5471	5211	4932	4560										

MAXIMUM MOTOR FRAME SIZE: 184T

SCBD | 180AHP

Outlet Area = 5.82 ft²

Fan Efficiency Grade: FEG56

HP	RPM	STATIC PRESSURE (INCHES W.G.)																							
		0.75		1.00		1.25		1.50		1.75		2.00		2.25		2.50		2.75		3.00		3.25		3.50	
		CFM	CFM	CFM	CFM	CFM	CFM	CFM	CFM	CFM	CFM	CFM	CFM	CFM	CFM	CFM	CFM	CFM	CFM	CFM	CFM	CFM	CFM	CFM	
1/2	875	1753																							
	970	2218	1785																						
3/4	1040	2524	2179	1645																					
	1105	2793	2492	2124																					
1	1160	3013	2739	2422	1982																				
	1215	3227	2974	2691	2354	1778																			
1 1/2	1300	3549	3322	3075	2799	2468	1915																		
	1390	3881	3676	3456	3219	2954	2640	2155																	
2	1460	4133	3944	3740	3524	3288	3027	2710	2217																
	1530	4381	4206	4016	3816	3603	3371	3114	2797	2311															
3	1640	4766	4608	4438	4258	4070	3871	3657	3423	3157	2800	2202													
	1750	5145	5000	4847	4685	4515	4338	4152	3953	3740	3507	3226	2843												

MAXIMUM MOTOR FRAME SIZE: 184T

NOTES:

1. Performance certified is for Installation Type B: Free inlet, ducted outlet.
2. Power rating (BHP) does not include transmission losses.
3. Performance ratings do not include the effects of appurtenances (accessories).
4. The sound ratings shown are loudness values in fan sones at 5 ft. (1.5m) in a hemispherical free field calculated per AMCA International Standard 301.
5. Values shown are for installation Type B: free inlet hemispherical sone levels.

SCBD | 210A

Outlet Area = 7.18 ft²

Fan Efficiency Grade: FEG56

HP	RPM	STATIC PRESSURE (INCHES W.G.)																							
		0.125		0.25		0.375		0.50		0.625		0.75		1.00		1.25		1.50		1.75		2.00		2.25	
		CFM	BHP Sone	CFM	BHP Sone	CFM	BHP Sone	CFM	BHP Sone	CFM	BHP Sone	CFM	BHP Sone	CFM	BHP Sone	CFM	BHP Sone	CFM	BHP Sone	CFM	BHP Sone	CFM	BHP Sone	CFM	BHP Sone
1/3	550	3133		2689		2192																			
		0.24	6.8	0.25	6	0.25	6.4																		
1/3	610	3549		3165		2785	2195																		
		0.32	8.6	0.33	6.9	0.34	7.7	0.33	7.4																
1/2	660	3889		3563		3187	2808	2042																	
		0.40	10.2	0.42	8.3	0.43	8.3	0.43	9	0.39	8.6														
1/2	700	4157		3868		3500	3179	2704																	
		0.47	11.5	0.49	9.5	0.51	8.8	0.52	9.6	0.51	9.7														
3/4	755	4523		4268		3940	3624	3308	2804																
		0.59	13.4	0.61	11.4	0.63	10	0.65	10.4	0.65	11	0.63	11.1												
3/4	805	4852		4621		4337	4016	3740	3405																
		0.71	15.1	0.74	13.4	0.76	11.4	0.78	10.9	0.79	12.1	0.79	12.4												
1	845	5114		4898		4645	4335	4058	3787	2802															
		0.82	16.3	0.85	15	0.87	13	0.89	12	0.90	12.5	0.91	13.3	0.85	13.2										
1	885	5375		5172		4942	4656	4372	4122	3415															
		0.94	17.4	0.97	16.2	0.99	14.5	1.02	13	1.03	13.2	1.04	14.1	1.02	14.3										
1 1/2	950	5797		5612		5407	5167	4888	4637	4137	3231														
		1.16	19.2	1.19	18.6	1.22	16.9	1.24	15.5	1.26	14.3	1.28	14.9	1.30	16	1.21	16.1								
1 1/2	1010	6185		6013		5826	5619	5369	5109	4663	4072														
		1.39	21	1.42	21	1.45	19.4	1.48	17.7	1.51	16	1.53	16	1.55	17.3	1.54	17.3								
2	1065	6540		6378		6205	6017	5799	5551	5103	4652	3927													
		1.63	22	1.66	22	1.69	21	1.72	19.9	1.75	18.1	1.78	17.1	1.81	18.2	1.83	19.2	1.76	18.2						
2	1115	6861		6708		6545	6371	6177	5950	5495	5096	4560	3650												
		1.87	24	1.90	24	1.93	24	1.96	22	1.99	20	2.02	19.1	2.07	19.1	2.09	20	2.07	20	1.93	19.3				
3	1200	7406		7265		7118	6961	6793	6606	6170	5779	5400	4875	4057											
		2.32	26	2.36	26	2.39	26	2.43	25	2.46	24	2.49	22	2.55	21	2.59	22	2.61	23	2.58	22	2.44	21		
3	1275	7885		7754		7617	7473	7321	7159	6771	6367	6018	5644	5120	4343										
		2.78	29	2.82	29	2.86	29	2.89	28	2.93	27	2.96	26	3.03	23	3.08	23	3.12	24	3.13	25	3.09	24	2.94	23

MAXIMUM MOTOR FRAME SIZE: 184T

SCBD | 210AHP

Outlet Area = 7.18 ft²

Fan Efficiency Grade: FEG56

HP	RPM	STATIC PRESSURE (INCHES W.G.)																							
		0.25		0.50		0.75		1.00		1.25		1.50		1.75		2.00		2.25		2.50		2.75		3.00	
		CFM	BHP Sone	CFM	BHP Sone	CFM	BHP Sone	CFM	BHP Sone	CFM	BHP Sone	CFM	BHP Sone	CFM	BHP Sone	CFM	BHP Sone	CFM	BHP Sone	CFM	BHP Sone	CFM	BHP Sone	CFM	BHP Sone
1/2	700	2665		2166																					
		0.33	7.3	0.34	7.4																				
1/2	810	3208		2816		2338																			
		0.49	10.0	0.52	8.8	0.53	9.3																		
3/4	865	3471		3118		2702	2144																		
		0.59	11.3	0.63	10.0	0.64	10.6	0.63	9.5																
3/4	925	3755		3435		3066	2628	1894																	
		0.72	12.9	0.76	11.7	0.78	11.7	0.79	11.6	0.72	10.6														
1	970	3966		3668		3325	2934	2424																	
		0.82	14.0	0.87	12.6	0.90	12.2	0.91	13.0	0.89	11.5														
1	1015	4175		3895		3576	3221	2798	2102																
		0.93	14.9	0.99	13.9	1.02	13.0	1.04	13.8	1.04	12.6	0.96	12.2												
1 1/2	1090	4521		4267		3982	3668	3316	2895	2164															
		1.15	16.7	1.21	15.8	1.26	14.3	1.28	14.3	1.29	15.1	1.28	13.2	1.17	13.2										
1 1/2	1165	4864		4630		4374	4091	3785	3440	3024	2309														
		1.39	18.3	1.46	17.4	1.52	16.3	1.55	15.5	1.57	16.3	1.58	16.4	1.56	14.8	1.42	14.4								
2	1220	5115		4894		4654	4391	4109	3800	3450	2999														
		1.59	19.4	1.66	18.8	1.73	17.6	1.77	16.6	1.80	16.7	1.81	16.7	1.81	16.7	1.77	15.5								
2	1280	5387		5178		4955	4711	4449	4169	3860	3510	3037													
		1.82	21	1.91	21	1.98	19.0	2.03	17.9	2.06	17.6	2.08	18.5	2.09	18.7	2.09	17.2	2.02	16.6						
3	1370	5793		5600		5396	5178	4942	4693	4428	4137	3815	3412	2776											
		2.22	23	2.31	23	2.39	22	2.46	20	2.50	19.1	2.54	19.1	2.55	20	2.56	20	2.56	19.1	2.52	18.4	2.34	18.4		
3	1465	6220		6041		5854	5656	5445	5220	4985	4736	4466	4172	3830	3361										
		2.70	25	2.80	25	2.89	24	2.97	23	3.03	21	3.07	21	3.11	21	3.12	22	3.13	22	3.13	21	3.11	19.8	3	19.9

MAXIMUM MOTOR FRAME SIZE: 184T

NOTES:

- Performance certified is for Installation Type B: Free inlet, ducted outlet.
- Power rating (BHP) does not include transmission losses.
- Performance ratings do not include the effects of appurtenances (accessories).
- The sound ratings shown are loudness values in fan sones at 5 ft. (1.5m) in a hemispherical free field calculated per AMCA International Standard 301.
- Values shown are for installation Type B: free inlet hemispherical sone levels.

Belt Driven

SCBD | 225A

Outlet Area = 8.03 ft²

Fan Efficiency Grade: FEG56

HP	RPM	STATIC PRESSURE (INCHES W.G.)																							
		0.125		0.25		0.375		0.50		0.625		0.75		1.00		1.50		1.75		2.00		2.25			
		CFM		CFM		CFM		CFM		CFM		CFM		CFM		CFM		CFM		CFM		CFM			
		BHP	Sone	BHP	Sone	BHP	Sone	BHP	Sone	BHP	Sone	BHP	Sone	BHP	Sone	BHP	Sone	BHP	Sone	BHP	Sone	BHP	Sone		
1/3	450	3358		2784																					
		0.21	5.5	0.22	5.7																				
	520	4017		3578		3008																			
		0.32	7.5	0.34	7.0	0.35	7.5																		
1/2	560	4384		3994		3518		2870																	
		0.40	8.7	0.42	8.1	0.43	8.7	0.42	7.5																
	600	4746		4395		3981		3467		2620															
		0.48	9.9	0.51	8.9	0.53	9.3	0.53	9.5	0.49	8.0														
3/4	640	5105		4783		4416		3982		3436															
		0.58	11.1	0.61	10.1	0.63	9.9	0.65	10.7	0.63	9.7														
	685	5505		5211		4883		4509		4065		3500													
		0.71	12.1	0.74	11.5	0.77	10.9	0.79	11.6	0.79	11.6	0.77	10.3												
1	720	5814		5538		5235		4896		4506		4041													
		0.82	13.1	0.85	12.8	0.89	11.8	0.91	11.9	0.92	12.6	0.91	12.5												
	750	6078		5816		5531		5215		4861		4448													
		0.92	14.1	0.96	13.9	0.99	12.6	1.02	12.6	1.04	13.3	1.04	13.5												
1 1/2	810	6603		6364		6109		5831		5528		5190		4353											
		1.15	15.6	1.19	15.6	1.23	14.3	1.27	13.6	1.29	13.8	1.31	14.6	1.29	13.9										
	865	7081		6861		6626		6376		6106		5813		5123		4138									
		1.39	16.8	1.44	16.8	1.49	15.9	1.52	14.7	1.56	14.7	1.58	15.3	1.59	15.9	1.52	13.6								
2	910	7472		7263		7044		6812		6564		6297		5691		4933									
		1.61	17.9	1.67	17.9	1.72	17.2	1.76	15.8	1.79	15.5	1.82	15.5	1.86	16.9	1.83	15.9								
	950	7817		7619		7411		7193		6961		6714		6163		5500		4586							
		1.83	18.4	1.89	18.4	1.94	18.3	1.99	16.9	2.03	16.5	2.06	16.0	2.10	17.4	2.10	17.7	2.01	15.6						
3	1025	8464		8282		8093		7895		7689		7471		6996		6454		5810		4930					
		2.29	19.9	2.35	19.9	2.41	19.9	2.46	19.0	2.51	18.4	2.55	17.8	2.62	17.9	2.65	19.5	2.64	19.1	2.53	17.1				
	1085	8980		8809		8632		8448		8258		8058		7629		7152		6604		5960		5019			
		2.71	21	2.77	21	2.84	21	2.89	21	2.95	20	3.00	19.4	3.07	18.8	3.13	20	3.15	21	3.11	20	2.96	18.3		
5	1185	9837		9682		9522		9358		9188		9012		8641		8237		7794		7297		6036			
		3.51	23	3.59	23	3.66	23	3.72	23	3.78	23	3.84	22	3.94	21	4.02	20	4.07	22	4.10	23	4.07	23	3.97	21
	1285	10692		10550		10404		10255		10101		9944		9615		9263		8885		8476		8024		7519	
		4.47	26	4.55	26	4.62	26	4.70	26	4.77	26	4.83	25	4.95	24	5.05	23	5.13	23	5.19	24	5.22	25	5.21	25

MAXIMUM MOTOR FRAME SIZE: 215T

SCBD | 225AHP

Outlet Area = 8.03 ft²

Fan Efficiency Grade: FEG56

HP	RPM	STATIC PRESSURE (INCHES W.G.)																							
		0.75		1.00		1.25		1.50		1.75		2.00		2.25		2.50		2.75		3.00		3.25		3.50	
		CFM		CFM		CFM		CFM		CFM		CFM		CFM		CFM		CFM		CFM		CFM		CFM	
		BHP	Sone	BHP	Sone	BHP	Sone	BHP	Sone	BHP	Sone	BHP	Sone	BHP	Sone	BHP	Sone	BHP	Sone	BHP	Sone	BHP	Sone	BHP	Sone
3/4	725	2733																							
		0.62	9.1																						
	785	3288		2568																					
		0.79	10.8	0.76	9.7																				
1	820	3625		2986																					
		0.91	11.5	0.89	10.9																				
	860	3982		3369		2599																			
		1.04	11.8	1.04	11.8	0.98	11.1																		
1 1/2	920	4451		3927		3372		2337																	
		1.26	12.6	1.28	13.4	1.26	12.9	1.12	12.1																
	985	4919		4530		3981		3446		2228															
		1.52	14.0	1.56	14.3	1.57	14.8	1.53	13.7	1.30	12.9														
2	1035	5266		4933		4453		3956		3349															
		1.75	15.0	1.80	15.0	1.82	16.0	1.81	15.6	1.74	14.5														
	1085	5606		5306		4923		4416		3953		3238													
		1.99	15.9	2.05	15.8	2.09	17.0	2.06	16.3	1.95	15.4														
3	1160	6108		5838		5537		5130		4660		4227		3590											
		2.40	17.9	2.47	17.5	2.53	17.5	2.56	18.6	2.56	18.6	2.52	17.6	2.42	16.9										
	1240	6635		6387		6126		5826		5417		4981		4580		4044		2974							
		2.91	19.9	2.98	19.5	3.05	18.8	3.11	19.7	3.13	20	3.12	20	3.09	19.6	3.00	18.6	2.67	18.0						
5	1355	7378		7156		6927		6687		6417		6069		5651		5282		4902		4383		3466			
		3.75	24	3.83	22	3.90	22	3.98	22	4.05	22	4.08	24	4.08	24	4.06	23	4.02	22	3.91	21	3.58	21		
	1470	8110		7910		7702		7490		7268		7025		6731		6358		5987		5654		5297		4825	
		4.74	27	4.82	26	4.91	26	5.00	25	5.08	25	5.15	25	5.20	26	5.22	27	5.18	27	5.18	26	5.12	25	5.01	24

MAXIMUM MOTOR FRAME SIZE: 215T

NOTES:

1. Performance certified is for Installation Type B: Free inlet, ducted outlet.
2. Power rating (BHP) does not include transmission losses.
3. Performance ratings do not include the effects of appurtenances (accessories).
4. The sound ratings shown are loudness values in fan sones at 5 ft. (1.5m) in a hemispherical free field calculated per AMCA International Standard 301.
5. Values shown are for installation Type B: free inlet hemispherical sone levels.

SCBD | 245A

Outlet Area = 9.77 ft²

Fan Efficiency Grade: FEG56

HP	RPM	STATIC PRESSURE (INCHES W.G.)																							
		0.125		0.25		0.375		0.50		0.625		0.75		1.00		1.25		1.50		1.75		2.00		2.25	
		CFM	Sone	CFM	Sone	CFM	Sone	CFM	Sone	CFM	Sone	CFM	Sone	CFM	Sone	CFM	Sone	CFM	Sone	CFM	Sone	CFM	Sone	CFM	Sone
1/2	475	4748		4292		3692																			
		0.41	8.3	0.44	7.3	0.44	7.6																		
3/4	505	5097		4686		4171		3523																	
		0.49	9.4	0.52	8.0	0.53	8.6	0.52	7.8																
1	540	5500		5129		4684		4122		3387															
		0.59	10.3	0.63	9.4	0.65	9.1	0.65	9.4	0.61	7.7														
1 1/2	575	5900		5561		5166		4690		4122															
		0.70	11.5	0.75	10.6	0.77	9.8	0.79	10.5	0.78	9.9														
2	600	6183		5864		5498		5070		4545		3946													
		0.79	12.3	0.84	11.4	0.87	10.5	0.89	11.1	0.89	11.4	0.86	9.6												
2 1/2	630	6522		6222		5886		5499		5040		4517													
		0.91	13.3	0.97	12.7	1.00	11.8	1.02	11.5	1.03	12.3	1.02	11.7												
3	675	7027		6752		6452		6113		5729		5275													
		1.12	14.4	1.17	13.9	1.22	12.9	1.25	12.2	1.27	13.0	1.27	13.3												
3 1/2	725	7585		7334		7063		6765		6434		6062		5173											
		1.37	15.8	1.44	15.8	1.49	14.4	1.53	13.8	1.55	13.8	1.57	14.7	1.56	14.1										
4	760	7974		7736		7483		7208		6906		6572		5767		4638									
		1.57	16.6	1.64	16.2	1.70	15.6	1.75	14.7	1.78	14.5	1.80	14.9	1.81	15.9	1.67	13.6								
4 1/2	795	8362		8136		7898		7642		7364		7059		6345		5506									
		1.79	17.1	1.87	17.1	1.93	16.9	1.98	16.3	2.02	15.5	2.05	15.6	2.08	16.8	2.04	16.0								
5	850	8969		8761		8542		8310		8062		7795		7191		6453		5615							
		2.18	18.3	2.26	18.3	2.33	18.4	2.39	17.6	2.44	16.9	2.48	16.9	2.53	17.7	2.53	18.0	2.45	16.9						
5 1/2	910	9630		9437		9236		9025		8803		8566		8042		7429		5866							
		2.66	19.8	2.75	19.8	2.83	19.6	2.90	19.0	2.96	18.8	3.01	18.3	3.08	18.0	3.11	19.3	3.10	19.5	2.97	18.2				
6	995	10563		10389		10208		10020		9825		9620		9177		8680		8109		7454		6764			
		3.46	21	3.56	21	3.65	21	3.73	21	3.81	21	3.87	20	3.97	20	4.03	20	4.07	22	4.06	22	3.97	22		
6 1/2	1080	11494		11334		11170		11000		10825		10644		10259		9835		9368		8841		8244		7629	
		4.41	25	4.51	25	4.61	25	4.71	25	4.79	24	4.87	23	5.01	23	5.10	22	5.16	23	5.20	25	5.20	25	5.13	25
7	1160	12367		12220		12068		11913		11753		11589		11244		10871		10466		10026		9536		8986	
		5.45	28	5.56	28	5.67	28	5.77	28	5.87	27	5.96	27	6.13	26	6.25	25	6.34	25	6.40	26	6.45	27	6.45	28
7 1/2	1235	13185		13047		12906		12762		12614		12462		12147		11812		11451		11063		10646		10186	
		6.56	30	6.68	30	6.79	30	6.91	30	7.01	30	7.12	30	7.30	29	7.46	28	7.58	28	7.66	28	7.73	28	7.78	30

MAXIMUM MOTOR FRAME SIZE: 215T

SCBD | 245AHP

Outlet Area = 9.77 ft²

Fan Efficiency Grade: FEG56

HP	RPM	STATIC PRESSURE (INCHES W.G.)																							
		0.75		1.00		1.25		1.50		1.75		2.00		2.25		2.50		2.75		3.00		3.25		3.50	
		CFM	Sone	CFM	Sone	CFM	Sone	CFM	Sone	CFM	Sone	CFM	Sone	CFM	Sone	CFM	Sone	CFM	Sone	CFM	Sone	CFM	Sone	CFM	Sone
1	650	3332																							
		0.74	9.8																						
1 1/2	730	4232		3570																					
		1.04	12.0	1.05	10.9																				
2	780	4731		4208		3435																			
		1.26	12.7	1.29	13.1	1.25	11.5																		
2 1/2	835	5257		4806		4248		3404																	
		1.52	13.3	1.56	14.6	1.58	14.2	1.48	12.6																
3	875	5627		5210		4739		4092																	
		1.73	14.3	1.78	15.4	1.81	16.0	1.79	13.9																
3 1/2	915	5989		5602		5179		4658		3927															
		1.96	15.2	2.02	16.0	2.06	17.1	2.08	16.5	2.00	14.8														
4	980	6566		6218		5842		5432		4920		4231													
		2.37	17.2	2.45	17.4	2.51	18.6	2.54	19.2	2.55	18.0	2.46	16.5												
4 1/2	1050	7176		6857		6523		6165		5773		5292		4667											
		2.87	19.8	2.96	18.9	3.04	19.7	3.10	21	3.13	21	3.13	20	3.06	18.6										
5	1150	8030		7743		7450		7143		6818		6472		6075		5585		4976							
		3.70	24	3.81	22	3.91	22	3.99	23	4.06	24	4.10	25	4.12	24	4.1	23	3.98	22						
5 1/2	1245	8828		8566		8300		8027		7743		7443		7131		6788		6386		5901		5317			
		4.62	27	4.76	26	4.87	25	4.97	25	5.06	25	5.13	26	5.19	28	5.23	28	5.23	27	5.18	25	5.02	24		
6	1335	9575		9332		9086		8837		8581		8315		8038		7750		7443		7100		6698		6226	
		5.63	30	5.78	30	5.92	28	6.04	28	6.14	28	6.23	28	6.31	30	6.38	30	6.43	30	6.45	31	6.44	29	6.37	27
6 1/2	1425	10314		10089		9860		9628		9394		9154		8905		8646		8380		8102		7801		7462	
		6.77	34	6.94	34	7.10	33	7.24	32	7.36	31	7.47	31	7.57	31	7.66	32	7.73	33	7.79	34	7.83	34	7.85	34

MAXIMUM MOTOR FRAME SIZE: 215T

NOTES:

- Performance certified is for Installation Type B: Free inlet, ducted outlet.
- Power rating (BHP) does not include transmission losses.
- Performance ratings do not include the effects of appurtenances (accessories).
- The sound ratings shown are loudness values in fan sones at 5 ft. (1.5m) in a hemispherical free field calculated per AMCA International Standard 301.
- Values shown are for installation Type B: free inlet hemispherical sone levels.

Belt Driven

SCBD | 270A

Outlet Area = 11.11 ft²

Fan Efficiency Grade: FEG56

HP	RPM	STATIC PRESSURE (INCHES W.G.)																										
		0.125		0.25		0.375		0.50		0.625		0.75		1.00		1.50		1.75		2.00		2.25						
		CFM	CFM	CFM	CFM	CFM	CFM	CFM	CFM	CFM	CFM	CFM	CFM	CFM	CFM	CFM	CFM	CFM	CFM	CFM	CFM	CFM	CFM	CFM				
1/2	375	5140		4357																								
		0.36	9.2	0.38	7.0																							
3/4	420	5895		5263		4470																						
		0.49	11.6	0.52	8.5	0.53	8.7																					
3/4	450	6387		5839		5140		4277																				
		0.60	12.6	0.64	10.4	0.65	10.0	0.64	8.2																			
1	480	6874		6390		5762		5043																				
		0.72	14.1	0.77	12.9	0.79	10.3	0.79	10.6																			
1	500	7196		6744		6162		5507		4690																		
		0.82	15.0	0.86	14.2	0.89	11.5	0.89	11.8	0.87	9.5																	
1	525	7595		7178		6653		6050		5356																		
		0.94	14.7	0.99	15.5	1.02	12.5	1.03	12.2	1.02	11.7																	
1 1/2	565	8230		7855		7409		6869		6290		5614																
		1.16	16.0	1.21	16.0	1.26	14.8	1.28	13.4	1.29	13.9	1.27	12.8															
1 1/2	605	8861		8519		8130		7659		7140		6578																
		1.42	17.5	1.47	17.5	1.53	17.3	1.56	15.2	1.58	14.8	1.58	15.6															
2	635	9332		9010		8653		8232		7746		7240		6008														
		1.63	18.7	1.69	18.7	1.75	19.3	1.79	16.9	1.82	16.0	1.83	16.4	1.79	14.1													
2	665	9801		9498		9166		8786		8340		7867		6798														
		1.87	20	1.93	20	1.99	20	2.04	18.9	2.08	17.3	2.10	17.3	2.08	17.0													
3	710	10502		10223		9921		9589		9204		8772		7853		6719												
		2.26	22	2.33	22	2.40	22	2.46	22	2.51	19.9	2.54	19.0	2.56	20	2.50	17.0											
3	760	11278		11021		10746		10450		10122		9746		8922		7999		6755										
		2.76	23	2.84	23	2.91	23	2.98	23	3.04	22	3.08	21	3.14	21	3.12	22	2.98	17.4									
5	830	12361		12128		11884		11624		11347		11042		10330		9564		8702		7635								
		3.58	26	3.67	26	3.75	26	3.83	26	3.90	26	3.96	25	4.05	24	4.09	25	4.06	24	3.95	20							
5	900	13440		13228		13007		12775		12531		12272		11678		10994		10281		9482		8555						
		4.55	30	4.64	30	4.73	30	4.82	30	4.90	30	4.98	30	5.10	27	5.18	27	5.21	29	5.18	28	5.09	24					
7 1/2	965	14439		14243		14040		13829		13608		13376		12869		12272		11625		10952		10205		9365				
		5.59	33	5.69	33	5.79	33	5.89	33	5.98	33	6.06	33	6.21	32	6.33	31	6.40	30	6.42	31	6.39	31	6.31	28			
7 1/2	1030	15437		15254		15066		14872		14670		14460		14011		13499		12916		12307		11673		10978				
		6.78	37	6.89	37	7.00	37	7.10	37	7.20	37	7.30	37	7.47	36	7.62	35	7.73	33	7.79	34	7.81	36	7.78	34			

MAXIMUM MOTOR FRAME SIZE: 215T

SCBD | 270AHP

Outlet Area = 11.11 ft²

Fan Efficiency Grade: FEG60

HP	RPM	STATIC PRESSURE (INCHES W.G.)																									
		0.75		1.00		1.25		1.50		1.75		2.00		2.25		2.50		2.75		3.00		3.25		3.50			
		CFM	CFM	CFM	CFM	CFM	CFM	CFM	CFM	CFM	CFM	CFM	CFM	CFM	CFM	CFM	CFM	CFM	CFM	CFM	CFM	CFM	CFM	CFM	CFM		
1	530	2972																									
		0.64	7.7																								
1	605	4674																									
		1.04	10.1																								
1 1/2	650	5444		4515																							
		1.29	12.2	1.28	11.1																						
1 1/2	695	6139		5335		4251																					
		1.56	13.6	1.58	12.5	1.50	12.5																				
2	730	6631		5941		5113																					
		1.80	14.0	1.83	14.4	1.81	13.4																				
2	760	7032		6440		5666		4611																			
		2.02	14.7	2.06	15.8	2.06	14.2	1.96	14.3																		
3	815	7744		7269		6623		5891		4762																	
		2.47	17.0	2.51	17.0	2.55	17.1	2.53	15.9	2.37	16.4																
3	870	8438		8020		7519		6861		6171		5040															
		2.98	19.0	3.04	18.4	3.08	19.0	3.11	18.8	3.07	17.7	2.88	18.1														
5	950	9431		9055		8663		8189		7589		6965		6216													
		3.83	23	3.91	21	3.96	21	4.01	22	4.05	22	4.02	20	3.92	21												
5	1030	10411		10061		9714		9345		8905		8362		7784		7184		6276									
		4.81	26	4.93	25	5.01	24	5.06	23	5.11	25	5.15	25	5.15	23	5.08	23	4.88	23								
7 1/2	1105	11318		10989		10666		10340		9990		9580		9082		8541		8004		7374		6259					
		5.87	29	6.02	28	6.13	27	6.20	26	6.25	26	6.31	27	6.36	27	6.36	26	6.32	25	6.20	26	5.84	26				
7 1/2	1185	12275		11969		11663		11363		11057		10731		10357		9911		9411		8912		8398		7756			
		7.15	33	7.33	33	7.48	31	7.58	30	7.65	29	7.70	29	7.76	30	7.82	31	7.85	30	7.83	28	7.76	29	7.61	29		

MAXIMUM MOTOR FRAME SIZE: 215T

NOTES:

- Performance certified is for Installation Type B: Free inlet, ducted outlet.
- Power rating (BHP) does not include transmission losses.
- Performance ratings do not include the effects of appurtenances (accessories).
- The sound ratings shown are loudness values in fan sones at 5 ft. (1.5m) in a hemispherical free field calculated per AMCA International Standard 301.
- Values shown are for installation Type B: free inlet hemispherical sone levels.

SCBD | 300A

Outlet Area = 13.44 ft²

Fan Efficiency Grade: FEG56

HP	RPM	STATIC PRESSURE (INCHES W.G.)																								
		0.125		0.25		0.375		0.50		0.625		0.75		1.00		1.25		1.50		1.75		2.00		2.25		
		CFM	BHP Sone	CFM	BHP Sone	CFM	BHP Sone	CFM	BHP Sone	CFM	BHP Sone	CFM	BHP Sone	CFM	BHP Sone	CFM	BHP Sone	CFM	BHP Sone	CFM	BHP Sone	CFM	BHP Sone	CFM	BHP Sone	
1	400	7531	6837	5958	4778																					
		0.68	12.9	0.72	10.2	0.74	9.8	0.70	7.3																	
1	450	8610	8054	7336	6527	5478																				
		0.96	14.9	1.01	14.3	1.04	11.4	1.05	11.8	1.01	9.0															
1½	480	9248	8747	8121	7397	6570																				
		1.15	16.8	1.21	16.8	1.25	13.4	1.27	13.2	1.26	12.7															
1½	515	9988	9535	8999	8348	7651	6839																			
		1.42	17.5	1.48	17.5	1.53	15.9	1.56	14.2	1.57	14.4	1.55	13.4													
2	540	10513	10088	9602	9007	8363	7650																			
		1.62	18.5	1.69	18.5	1.75	18.0	1.79	15.2	1.81	15.3	1.80	15.5													
2	565	11035	10636	10188	9651	9045	8406	6721																		
		1.85	19.2	1.93	19.2	1.99	19.3	2.04	16.8	2.07	15.7	2.08	16.6	1.98	12.8											
3	605	11869	11502	11101	10642	10104	9532	8240																		
		2.26	21	2.34	21	2.42	21	2.48	20	2.52	18.2	2.55	17.7	2.53	17.3											
3	645	12698	12360	11994	11592	11126	10602	9488	8112																	
		2.73	23	2.82	23	2.90	23	2.97	23	3.03	20	3.07	19.6	3.09	20	3.01	17.4									
5	710	14040	13739	13418	13074	12700	12273	11316	10274	9019																
		3.62	26	3.72	26	3.81	26	3.89	26	3.97	26	4.03	24	4.11	23	4.11	24	4.03	20							
5	770	15274	14999	14711	14406	14081	13729	12903	12002	11016	9858															
		4.60	28	4.71	28	4.81	28	4.90	28	4.99	28	5.07	28	5.19	25	5.25	25	5.24	27	5.15	24					
7½	825	16402	16148	15883	15606	15314	15005	14300	13484	12632	11690	10607														
		5.64	31	5.76	31	5.87	31	5.97	31	6.07	31	6.16	31	6.32	30	6.42	28	6.47	30	6.44	29	6.34	26			
7½	880	17527	17291	17046	16791	16525	16247	15636	14919	14139	13330	12435	11429													
		6.83	34	6.95	34	7.07	34	7.19	34	7.30	34	7.40	34	7.59	32	7.73	32	7.82	31	7.85	33	7.81	33	7.71	30	

MAXIMUM MOTOR FRAME SIZE: 215T

SCBD | 300AHP

Outlet Area = 13.44 ft²

Fan Efficiency Grade: FEG60

HP	RPM	STATIC PRESSURE (INCHES W.G.)																								
		0.50		0.75		1.00		1.25		1.50		1.75		2.00		2.25		2.50		2.75		3.00		3.25		
		CFM	BHP Sone	CFM	BHP Sone	CFM	BHP Sone	CFM	BHP Sone	CFM	BHP Sone	CFM	BHP Sone	CFM	BHP Sone	CFM	BHP Sone	CFM	BHP Sone	CFM	BHP Sone	CFM	BHP Sone	CFM	BHP Sone	
1	390	2715																								
		0.40	5.6																							
1	515	6049	4817																							
		1.02	9.6	1.02	8.8																					
1½	550	6697	5656																							
		1.24	10.5	1.26	10.3																					
1½	590	7396	6568	5439																						
		1.52	12.1	1.55	12.5	1.54	11.2																			
2	620	7905	7196	6180	4525																					
		1.75	13.6	1.79	13.9	1.81	12.0	1.63	12.3																	
2	650	8407	7773	6876	5807																					
		2.00	15.4	2.05	14.1	2.09	14.4	2.04	13.6																	
3	700	9233	8668	7984	7069	5958																				
		2.47	18.2	2.54	15.7	2.59	16.7	2.60	15.1	2.51	15.2															
3	745	9968	9440	8872	8107	7228	5967																			
		2.95	21	3.04	17.5	3.09	17.6	3.14	18.0	3.12	16.2	2.96	16.8													
5	810	11018	10527	10039	9480	8742	7935	6942																		
		3.73	23	3.87	21	3.94	19.4	3.99	20	4.04	20	4.02	18.6	3.89	19.5											
5	880	12133	11679	11233	10774	10241	9558	8815	8022	6584																
		4.71	25	4.89	25	5.00	23	5.06	22	5.12	23	5.17	23	5.17	22	5.08	22	4.73	22							
7½	945	13157	12737	12316	11901	11464	10951	10314	9620	8917	7959															
		5.77	28	5.98	28	6.13	26	6.22	25	6.28	25	6.35	26	6.40	26	6.41	24	6.34	24	6.15	25					
7½	1010	14173	13782	13386	12997	12605	12188	11702	11112	10461	9818	9087	7869													
		6.97	30	7.21	30	7.40	30	7.53	27	7.61	27	7.68	27	7.75	28	7.81	28	7.83	28	7.78	26	7.66	26	7.28	27	

MAXIMUM MOTOR FRAME SIZE: 215T

NOTES:

- Performance certified is for Installation Type B: Free inlet, ducted outlet.
- Power rating (BHP) does not include transmission losses.
- Performance ratings do not include the effects of appurtenances (accessories).
- The sound ratings shown are loudness values in fan sones at 5 ft. (1.5m) in a hemispherical free field calculated per AMCA International Standard 301.
- Values shown are for installation Type B: free inlet hemispherical sone levels.

Belt Driven

SCBD | 330A

Outlet Area = 16.46 ft²

Fan Efficiency Grade: FEG56

HP	RPM	STATIC PRESSURE (INCHES W.G.)																					
		0.125		0.25		0.375		0.50		0.625		0.75		1.00		1.50		1.75		2.00		2.25	
		CFM	CFM	CFM	CFM	CFM	CFM	CFM	CFM	CFM	CFM	CFM	CFM	CFM	CFM	CFM	CFM	CFM	CFM	CFM	CFM	CFM	CFM
1	310	7663		6517		4805																	
	0.54 8.7		0.57 6.7		0.53 5.4																		
1½	380	9752		8983		7994		6823															
	0.96 14.0		1.02 12.2		1.05 10.7		1.03 9.9																
2	405	10479		9795		8908		7908		6582													
	1.16 15.6		1.22 14.9		1.26 11.9		1.26 12.3		1.21 9.4														
3	435	11343		10732		9970		9088		8082													
	1.42 17.6		1.49 17.6		1.55 14.0		1.57 13.7		1.56 13.3														
4	455	11916		11343		10654		9829		8932		7858											
	1.62 18.7		1.70 18.7		1.76 15.7		1.79 14.1		1.79 14.8		1.76 12.4												
5	475	12485		11946		11318		10550		9727		8787											
	1.84 19.3		1.92 19.3		1.98 17.6		2.03 15.4		2.04 15.6		2.02 15.1												
6	510	13477		12987		12438		11779		11036		10251		8162									
	2.26 21		2.35 21		2.42 21		2.49 17.5		2.52 16.8		2.53 17.2		2.40 13.2										
7	545	14463		14013		13519		12954		12290		11588		9992									
	2.74 22		2.84 22		2.93 22		3.00 21		3.05 18.5		3.08 18.3		3.05 18.0										
8	600	16005		15606		15176		14708		14175		13569		12272		10750							
	3.63 25		3.74 25		3.84 25		3.94 25		4.01 23		4.07 21		4.12 21		4.06 20								
9	650	17401		17037		16652		16240		15792		15286		14137		12898		11434					
	4.60 28		4.72 28		4.83 28		4.94 28		5.03 28		5.11 26		5.21 23		5.23 25		5.15 22						
10	700	18792		18458		18108		17737		17344		16918		15920		14826		13637		12250			
	5.72 32		5.85 32		5.98 32		6.09 32		6.20 32		6.30 30		6.45 27		6.53 27		6.52 28		6.42 25				
11	745	20040		19729		19405		19065		18707		18329		17465		16464		15420		14263		12932	
	6.88 34		7.02 34		7.15 34		7.28 34		7.40 34		7.52 34		7.71 30		7.83 29		7.88 31		7.84 31		7.73 27		
12	780	21010		20714		20407		20088		19753		19401		18623		17707		16728		15697		14538	
	7.88 35		8.03 35		8.17 35		8.31 35		8.44 35		8.56 35		8.78 33		8.93 32		9.03 32		9.04 33		8.97 32		8.8 28
13	820	22116		21837		21547		21247		20935		20610		19907		19089		18175		17235		16226	
	9.14 38		9.29 38		9.44 38		9.59 38		9.73 38		9.86 38		10.11 36		10.30 35		10.43 34		10.50 35		10.49 36		10.41 34

MAXIMUM MOTOR FRAME SIZE: 256T

SCBD | 330AHP

Outlet Area = 16.46 ft²

Fan Efficiency Grade: FEG60

HP	RPM	STATIC PRESSURE (INCHES W.G.)																					
		0.75		1.00		1.25		1.50		1.75		2.00		2.25		2.75		3.00		3.25		3.50	
		CFM	CFM	CFM	CFM	CFM	CFM	CFM	CFM	CFM	CFM	CFM	CFM	CFM	CFM	CFM	CFM	CFM	CFM	CFM	CFM	CFM	CFM
1½	440	4716																					
	1.00 8.4																						
2	500	7005		4831																			
	1.57 10.7		1.40 10.3																				
3	525	7782		6329																			
	1.82 12.4		1.78 11.2																				
4	550	8512		7221																			
	2.08 13.3		2.08 11.9																				
5	590	9567		8485		7198																	
	2.54 14.6		2.58 15.0		2.53 13.8																		
6	630	10536		9686		8557		7137															
	3.07 16.4		3.12 16.9		3.14 15.3		3.01 15.6																
7	690	11923		11264		10413		9369		8178													
	3.99 19.5		4.05 18.7		4.12 19.8		4.12 17.7		4.01 17.8														
8	745	13162		12577		11928		11082		10111		9053											
	4.97 23		5.06 21		5.12 21		5.19 22		5.19 19.8		5.08 20												
9	800	14385		13842		13285		12645		11827		10922		9976		8380							
	6.07 27		6.21 24		6.29 23		6.36 24		6.43 24		6.43 22		6.34 22		5.98 23								
10	855	15596		15081		14573		14039		13413		12637		11787		10930		9770					
	7.33 29		7.51 27		7.62 26		7.70 25		7.78 27		7.85 27		7.85 25		7.78 25		7.54 25						
11	900	16576		16084		15602		15113		14583		13953		13193		12386		11574		10550		8575	
	8.46 31		8.69 31		8.84 28		8.93 27		9.01 28		9.10 29		9.16 29		9.16 27		9.08 26		8.87 27		8.12 26		
12	940	17440		16970		16504		16043		15562		15027		14386		13638		12867		12088		11130	
	9.57 33		9.82 33		10.01 31		10.13 30		10.21 30		10.30 30		10.39 32		10.44 30		10.43 29		10.35 28		10.14 29		

MAXIMUM MOTOR FRAME SIZE: 256T

NOTES:

- Performance certified is for Installation Type B: Free inlet, ducted outlet.
- Power rating (BHP) does not include transmission losses.
- Performance ratings do not include the effects of appurtenances (accessories).
- The sound ratings shown are loudness values in fan sones at 5 ft. (1.5m) in a hemispherical free field calculated per AMCA International Standard 301.
- Values shown are for installation Type B: free inlet hemispherical sone levels.

SCBD | 365A

Outlet Area = 17.36 ft²

Fan Efficiency Grade: FEG53

HP	RPM	STATIC PRESSURE (INCHES W.G.)																									
		0.125		0.25		0.375		0.50		0.625		0.75		0.875		1.00		1.25		1.50		1.75		2.00			
		CFM	Sone	CFM	Sone	CFM	Sone	CFM	Sone	CFM	Sone	CFM	Sone	CFM	Sone	CFM	Sone	CFM	Sone	CFM	Sone	CFM	Sone	CFM	Sone	CFM	Sone
1	240	7252		5314																							
		0.43	4.2	0.41	4.0																						
1	320	10451		9423		8064																					
		0.98	8.7	1.01	7.7	1.01	8.3																				
1 1/2	345	11407		10491		9375		7885																			
		1.21	10.6	1.26	9.2	1.28	9.8	1.23	8.7																		
1 1/2	370	12351		11523		10562		9338																			
		1.48	12.1	1.55	11.1	1.57	11.0	1.57	11.6																		
2	385	12914		12129		11237		10145		8770																	
		1.67	13.2	1.73	12.3	1.77	11.6	1.77	12.4	1.71	11.0																
2	405	13659		12926		12107		11150		9953																	
		1.93	14.3	2.01	13.8	2.05	12.9	2.06	13.6	2.04	13.5																
3	435	14771		14101		13368		12548		11578		10406															
		2.38	15.9	2.46	15.7	2.52	14.5	2.55	14.5	2.56	15.4	2.51	14.5														
3	465	15875		15258		14592		13866		13049		12081		10956													
		2.89	17.3	2.99	17.3	3.06	16.1	3.10	15.6	3.12	16.5	3.12	16.6	3.06	15.7												
5	505	17338		16779		16185		15548		14857		14087		13194		12173											
		3.68	19.9	3.79	19.9	3.88	19.4	3.95	18.0	3.98	17.9	4.00	18.1	4.00	19.0	3.94	17.9										
5	550	18976		18469		17937		17374		16777		16135		15430		14633		12747									
		4.72	23	4.85	23	4.96	23	5.05	21	5.11	19.9	5.14	19.7	5.16	21	5.17	21	5.03	18.8								
7 1/2	590	20425		19957		19470		18959		18422		17854		17248		16591		15040		13163							
		5.81	25	5.95	25	6.07	25	6.18	24	6.27	23	6.32	22	6.35	22	6.37	23	6.37	23	6.11	20						
7 1/2	630	21870		21435		20984		20516		20027		19515		18977		18407		17121		15565		13694					
		7.05	29	7.20	29	7.34	29	7.46	27	7.57	26	7.65	25	7.70	24	7.73	23	7.77	25	7.71	25	7.34	21				
10	660	22951		22538		22111		21669		21211		20733		20235		19712		18566		17212		15635					
		8.09	31	8.25	31	8.40	31	8.53	31	8.65	29	8.75	27	8.82	27	8.87	25	8.92	26	8.93	27	8.75	25				
10	695	24210		23820		23418		23003		22575		22131		21671		21192		20163		18996		17625		16081			
		9.43	34	9.60	34	9.76	34	9.90	34	10.04	33	10.15	31	10.25	29	10.31	29	10.39	29	10.43	30	10.40	29	10.14	26		

MAXIMUM MOTOR FRAME SIZE: 256T

SCBD | 365AHP

Outlet Area = 17.36 ft²

Fan Efficiency Grade: FEG56

HP	RPM	STATIC PRESSURE (INCHES W.G.)																									
		0.25		0.50		0.75		1.00		1.25		1.50		1.75		2.00		2.25		2.50		2.75		3.00			
		CFM	Sone	CFM	Sone	CFM	Sone	CFM	Sone	CFM	Sone	CFM	Sone	CFM	Sone	CFM	Sone	CFM	Sone	CFM	Sone	CFM	Sone	CFM	Sone	CFM	Sone
1 1/2	380	8578		7022																							
		1.10	8.6	1.15	8.9																						
1 1/2	420	9743		8471		6844																					
		1.47	11.0	1.54	10.3	1.56	10.9																				
2	440	10320		9147		7646																					
		1.67	12.3	1.75	10.9	1.80	12.0																				
2	460	10895		9791		8397		6313																			
		1.90	13.7	1.99	11.2	2.04	12.5	1.82	12.5																		
3	495	11892		10869		9691		8320																			
		2.33	15.5	2.46	13.1	2.53	13.6	2.56	14.3																		
3	530	12878		11913		10907		9652		8246																	
		2.82	17.9	3.00	14.6	3.07	14.6	3.13	15.4	3.09	14.9																
5	575	14135		13229		12355		11313		10134		8699															
		3.55	21	3.78	17.4	3.88	16.0	3.96	17.0	4.01	17.0	3.87	16.2														
5	625	15519		14674		13874		13026		12001		10917		9638													
		4.50	23	4.79	20	4.93	18.3	5.02	18.1	5.10	19.3	5.15	18.6	5.04	17.3												
7 1/2	670	16756		15964		15204		14454		13598		12604		11599		10408											
		5.49	26	5.83	24	6.03	21	6.13	20	6.22	21	6.30	21	6.35	21	6.23	19.3										
7 1/2	720	18122		17382		16660		15970		15249		14414		13477		12542		11517		9203							
		6.74	30	7.13	28	7.41	25	7.55	23	7.64	23	7.75	24	7.83	25	7.87	24	7.82	22	6.71	22						
10	755	19074		18366		17671		17008		16343		15607		14763		13855		12971		11949		9636					
		7.72	32	8.15	31	8.47	28	8.65	26	8.76	25	8.86	25	8.97	27	9.04	27	9.08	26	8.99	24	7.74	24				
10	790	20023		19345		18677		18034		17406		16745		15995		15159		14291		13446		12438		10227			
		8.80	35	9.27	34	9.62	31	9.86	29	9.99	28	10.09	28	10.21	28	10.31	30	10.36	29	10.41	27	10.28	26	8.91	26		

MAXIMUM MOTOR FRAME SIZE: 256T

NOTES:

- Performance certified is for Installation Type B: Free inlet, ducted outlet.
- Power rating (BHP) does not include transmission losses.
- Performance ratings do not include the effects of appurtenances (accessories).
- The sound ratings shown are loudness values in fan sones at 5 ft. (1.5m) in a hemispherical free field calculated per AMCA International Standard 301.
- Values shown are for installation Type B: free inlet hemispherical sone levels.

Belt Driven

SCBD | 402A

Outlet Area = 21.20 ft²

Fan Efficiency Grade: FEG53

HP	RPM	STATIC PRESSURE (INCHES W.G.)																							
		0.125		0.25		0.375		0.50		0.625		0.75		0.875		1.00		1.125		1.25		1.50		1.75	
		CFM	CFM	CFM	CFM	CFM	CFM	CFM	CFM	CFM	CFM	CFM	CFM	CFM	CFM	CFM	CFM	CFM	CFM	CFM	CFM	CFM	CFM	CFM	CFM
1½	290	12803	11551	9898																					
	310	13837	12708	11321	9460																				
2	325	14605	13550	12305	10677																				
	340	15368	14377	13238	11810	9946																			
3	365	16630	15729	14722	13542	12064																			
	390	17882	17054	16146	15127	13911	12447																		
5	430	19870	19136	18347	17491	16540	15433	14130	12574																
	465	21599	20929	20220	19462	18644	17742	16707	15514	14190															
7½	500	23319	22703	22057	21374	20649	19871	19021	18061	16972	15788														
	535	25032	24462	23867	23245	22591	21900	21163	20365	19476	18483	16212													
10	555	26009	25462	24893	24300	23679	23028	22340	21604	20804	19915	17876													
	585	27471	26955	26421	25867	25290	24689	24060	23396	22690	21928	20169	18133												

MAXIMUM MOTOR FRAME SIZE: 256T

SCBD | 402AHP

Outlet Area = 21.20 ft²

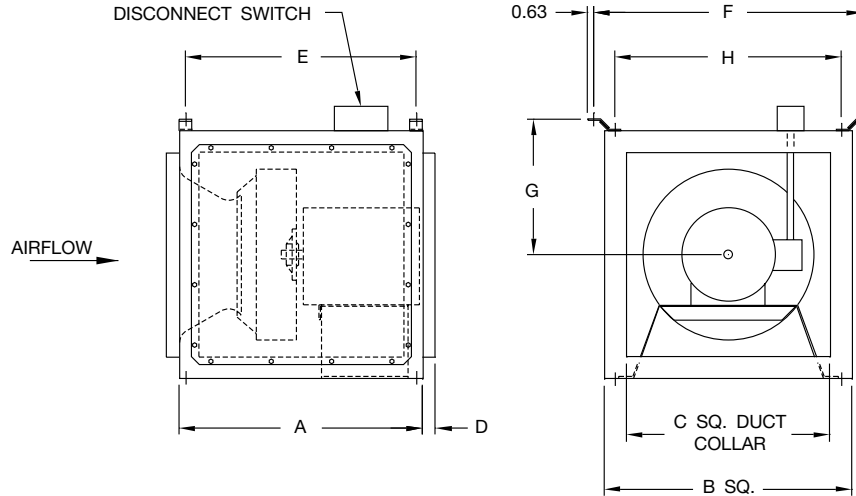
Fan Efficiency Grade: FEG56

HP	RPM	STATIC PRESSURE (INCHES W.G.)																							
		0.50		0.75		1.00		1.25		1.50		1.75		2.00		2.25		2.50		2.75		3.00		3.25	
		CFM	CFM	CFM	CFM	CFM	CFM	CFM	CFM	CFM	CFM	CFM	CFM	CFM	CFM	CFM	CFM	CFM	CFM	CFM	CFM	CFM	CFM	CFM	CFM
1½	300	6115																							
	355	9151																							
2	370	9886	7706																						
	390	10821	8929																						
3	420	12135	10463	8217																					
	445	13174	11713	10021																					
5	490	14984	13808	12337	10775																				
	530	16559	15516	14303	12888	11382																			
7½	570	18119	17148	16129	14901	13583	12127																		
	605	19474	18544	17626	16575	15355	14125	12645																	
10	640	20817	19924	19066	18152	17082	15903	14747	13278																
	670	21960	21097	20275	19437	18492	17412	16282	15169	13598															
15	715	23663	22847	22062	21294	20488	19572	18551	17490	16459	15234	12566													
	765	25541	24774	24023	23303	22582	21815	20953	20004	19011	18045	17034	15602												

MAXIMUM MOTOR FRAME SIZE: 256T

NOTES:

- Performance certified is for Installation Type B: Free inlet, ducted outlet.
- Power rating (BHP) does not include transmission losses.
- Performance ratings do not include the effects of appurtenances (accessories).
- The sound ratings shown are loudness values in fan sones at 5 ft. (1.5m) in a hemispherical free field calculated per AMCA International Standard 301.
- Values shown are for installation Type B: free inlet hemispherical sone levels.



MODEL SCDD	EC MOTOR SIZES	A	B	C	D	E	F	G	H	DAMPER SIZE	AVG. SHIP WT. (LBS.)	SIDE DISCHARGE SIZE
080A	080AE	19.00	15.33	11.88	1.00	16.50	19.50	8.63	13.56	12.00 x 12.00	93	11.88 x 11.88
090A	090AE	19.00	15.33	11.88	1.00	16.50	19.50	8.63	13.56	12.00 x 12.00	96	11.88 x 11.88
100A	100AE	20.50	17.81	13.88	1.00	19.00	21.06	10.38	16.00	14.00 x 14.00	106	13.88 x 13.88
120A	120AE	21.50	19.38	15.88	1.00	20.00	22.06	11.13	17.00	16.00 x 16.00	127	15.88 x 15.88
135A/135AN	135AE/ANE	23.00	21.56	17.88	1.00	21.50	24.25	12.19	19.16	18.00 x 18.00	132	17.88 x 17.88
150A/150AN	150AE/ANE	24.00	23.82	19.88	1.00	22.50	26.38	13.29	21.31	20.00 x 20.00	157	19.88 x 19.88
165A/165AN	165AE/ANE	26.00	26.50	22.88	1.00	24.50	29.06	14.64	24.00	23.00 x 23.00	167	22.88 x 22.88

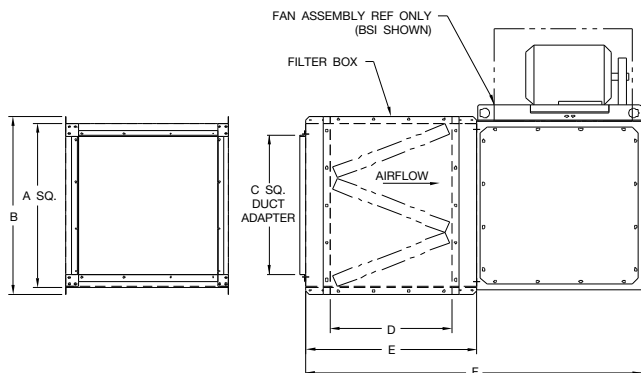
Notes:

1. All figures are in inches unless noted otherwise.
2. Average ship weight is for fan and motor assembly.
3. Dimensions are not to be used for construction.

R-1002419

Filter Box Assembly

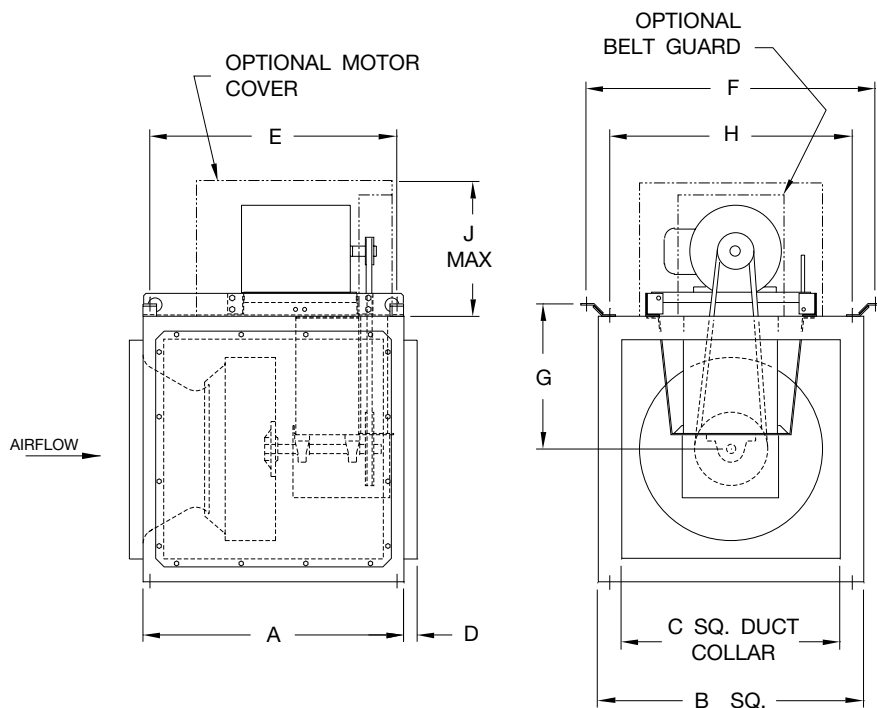
SIZE	A SQ.	B	C	D	E	F	FILTER SIZE	FILTER QTY.	AVG. SHIP WT. (LBS.)
080/090	16.00	18.50	11.88	21.44	28.38	47.38	25x16x2	1	99
100	18.06	20.56	13.88	19.88	26.75	47.25	25x16x2	1	113
120/120HP	19.62	22.12	15.88	24.50	31.38	52.88	25x16x2	2	148
135/135HP	21.75	24.25	17.88	24.00	32.00	55.00	25x20x2	2	181
150/150HP	23.94	26.44	19.88	23.75	32.00	56.00	25x20x2	2	200
165/165HP	26.62	29.12	22.88	19.56	28.00	54.00	25x20x2	3	203
180/180HP	29.12	31.62	23.88	19.25	26.50	55.00	25x20x2	3	220
210/210HP	32.44	34.94	27.88	21.00	31.00	63.00	25x16x2	4	290
225/225HP	34.25	36.75	29.88	24.00	33.00	67.00	25x16x2	6	397
							25x20x2	2	
245/245HP	37.75	40.25	32.88	18.88	30.00	56.50	25x16x2	2	439
							25x20x2	2	
270/270HP	40.25	42.75	35.88	23.00	33.00	72.00	25x20x2	6	568
300/300HP	44.25	46.75	39.88	24.00	33.00	74.50	25x20x2	8	654
330/330HP	48.94	51.44	43.88	23.50	34.00	79.50	25x16x2	12	842
365/365HP	50.25	52.75	45.88	19.75	30.50	77.38	25x20x2	12	850
							25x16x2	6	
402/402HP	55.50	58.00	51.88	24.75	36.00	88.00	25x20x2	12	1150
							25x16x2	6	



Notes:

1. All figures are in inches unless noted otherwise.
2. Filter box option is shipped separately for field installation.
3. For filter box information, see page 7.

Belt Driven



MODEL SCBD	A	B	C	D	E	F	G	H	J	DAMPER SIZE	AVG. SHIP WT. (LBS.)	SIDE DISCHARGE SIZE
080A	19.00	15.33	11.88	1.00	16.50	19.50	8.63	13.56	12.00	12.00 x 12.00	93	11.88 x 11.88
090A	19.00	15.33	11.88	1.00	16.50	19.50	8.63	13.56	12.00	12.00 x 12.00	96	11.88 x 11.88
100A	20.50	17.81	13.88	1.00	19.00	21.06	10.38	16.00	12.00	14.00 x 14.00	106	13.88 x 13.88
120A/120AHP	21.50	19.38	15.88	1.00	20.00	22.06	11.13	17.00	12.00	16.00 x 16.00	127	15.88 x 15.88
135A/135AHP	23.00	21.56	17.88	1.00	21.50	24.25	12.19	19.16	12.75	18.00 x 18.00	132	17.88 x 17.88
150A/150AHP	24.00	23.82	19.88	1.00	22.50	26.38	13.29	21.31	12.75	20.00 x 20.00	157	19.88 x 19.88
165A/165AHP	26.00	26.50	22.88	1.00	24.50	29.06	14.64	24.00	14.56	23.00 x 23.00	167	22.88 x 22.88
180A/180AHP	28.50	29.00	23.88	1.50	27.00	31.56	15.89	26.50	16.25	24.00 x 24.00	193	23.88 x 23.88
210A/210AHP	32.00	32.34	27.88	1.50	30.50	35.06	17.54	30.00	16.25	28.00 x 28.00	223	27.88 x 27.88
225A/225AHP	34.00	34.00	29.88	1.50	32.50	36.89	18.45	31.81	18.50	30.00 x 30.00	287	25.88 x 28.88
245A/245AHP	36.50	37.50	32.88	1.50	35.00	40.38	20.20	35.31	18.50	33.00 x 33.00	352	27.88 x 31.88
270A/270AHP	39.00	40.13	35.88	1.50	37.50	43.00	21.45	37.88	20.00	36.00 x 36.00	394	29.88 x 33.88
300A/300AHP	41.50	44.13	39.88	1.50	39.50	47.62	23.83	41.88	20.00	40.00 x 40.00	442	29.88 x 37.88
330A/330AHP	45.50	48.81	43.88	1.50	43.50	52.31	26.19	46.56	20.00	44.00 x 44.00	554	31.88 x 39.88
365A/365AHP	48.50	50.13	45.88	1.50	46.50	53.63	26.84	47.88	20.00	46.00 x 46.00	665	32.88 x 41.88
402A/402AHP	52.00	55.25	51.88	1.50	50.00	58.88	29.47	53.13	20.00	52.00 x 52.00	743	34.88 x 46.88

R-1002404

Notes:

1. All figures are in inches unless noted otherwise.
2. Average ship weight is for fan and motor assembly.
3. Dimensions are not to be used for construction.





Model SCDD

Supply or exhaust fans shall be of the direct drive Model SCDD centrifugal square inline type, as manufactured by Aerovent, Minneapolis, Minnesota.

PERFORMANCE — Performance ratings shall conform to AMCA Standard 205 (fan efficiency grade), 211 (air performance) and 311 (sound performance). Fans shall be tested in accordance with ANSI/AMCA Standard 210 (air performance) and 300 (sound performance) in an AMCA accredited laboratory. Fans shall be licensed to bear the AMCA certified ratings seal for both sound and air, and fan efficiency grade (FEG). Model SCDD shall be UL 705 listed.

CONSTRUCTION — Unit exterior shall be constructed of heavy gauge galvanized steel. The fan housing shall be square in shape and readily attachable to building ductwork. Unit side panels shall be removable for easy access for maintenance and service. The power assembly shall be removable as a complete module through the side access panel. Fan housings shall have universal mounting brackets to accommodate horizontal or vertical installations. Fans shall bear a permanently attached nameplate displaying model and serial number of the unit for future identification.

WHEEL — Fan wheels shall be of the non-overloading centrifugal backward inclined type, constructed of aluminum and containing a matching inlet venturi for optimum unit performance. Wheels shall be statically and dynamically balanced.

MOTOR — Motors shall be of the heavy-duty ball bearing type, closely matched to the fan load. A disconnect switch shall be factory installed and wired to the fan motor as standard. All motors shall be UL recognized.

ACCESSORIES — When specified, accessories such as backdraft damper, belt guard, motor cover, insulated housing, vibration isolators, side discharge, remote lubrication lines, inlet and outlet guards, special coatings, and filter box option shall be provided by Aerovent to maintain one source responsibility.

FACTORY RUN TEST — All fans prior to shipment shall be completely assembled and test run as a unit at operating speed or maximum RPM allowed for the particular construction type. Each wheel shall be statically and dynamically balanced in accordance with ANSI/AMCA 204-96 "Balance Quality and Vibration Levels for Fans" to Fan Application Category BV-3, Balance Quality Grade G6.3. Balance readings shall be taken by electronic type equipment in the axial, vertical, and horizontal directions. Records shall be maintained and a written copy shall be available upon request.

GUARANTEE — The manufacturer shall guarantee the workmanship and materials for its SCDD Square Inline Fans for at least one (1) year from startup or eighteen (18) months from ship date, whichever occurs first.



Model SCBD



Supply or exhaust fans shall be of the belt driven Model SCBD centrifugal square inline type, as manufactured by Aerovent, Minneapolis, Minnesota.

PERFORMANCE — Performance ratings shall conform to AMCA Standard 205 (fan efficiency grade), 211 (air performance) and 311 (sound performance). Fans shall be tested in accordance with ANSI/AMCA Standard 210 (air performance) and 300 (sound performance) in an AMCA accredited laboratory. Fans shall be licensed to bear the AMCA certified ratings seal for both sound and air, and fan efficiency grade (FEG). Model SCBD shall be UL 705 listed. Fans shall bear a permanently attached nameplate displaying model and serial number of the unit for future identification.

CONSTRUCTION — Unit exterior shall be constructed of heavy gauge galvanized steel. The fan housing shall be square in shape and readily attachable to building ductwork. Unit side panels shall be removable for easy access for maintenance and service. The power assembly shall be removable as a complete module through the side access panel. Fan housings shall have universal mounting brackets to accommodate horizontal or vertical installations.

WHEEL — Fan wheels shall be of the non-overloading centrifugal backward inclined type, constructed of aluminum and containing a matching inlet venturi for optimum unit performance. Wheels shall be statically and dynamically balanced.

SHAFT — Fan shafts shall be precision ground and polished. Shafts shall have a first critical speed of at least 125% of the fan's maximum operating speed.

BEARINGS — Bearings shall be of the one-piece, pillow block type with relubricable zerk fittings. Bearings shall be designed for air handling service with a minimum L-10 life in excess of 100,000 hours; L-50 500,000 hours at the maximum cataloged operating speed. Bearing mounting plate shall have self-aligning tabs for exact locating and alignment of bearings.

DRIVE — Drives shall be sized for a minimum of 150% of driven horsepower. Machined, cast iron motor sheaves shall be adjustable for final system balancing. The belt and pillow block ball bearings shall be protected from the airstream by an enclosure.

MOTOR — Motors shall be of the heavy-duty ball bearing type, closely matched to the fan load. A disconnect switch shall be factory installed and wired to the fan motor as standard. Motor shall be mounted on the outside of the unit, isolated from the airstream. All motors shall be UL recognized.

ACCESSORIES — When specified, accessories such as backdraft damper, belt guard, motor cover, insulated housing, vibration isolators, side discharge, remote lubrication lines, inlet and outlet guards, special coatings, and filter box option shall be provided by Aerovent to maintain one source responsibility.

FACTORY RUN TEST — All fans prior to shipment shall be completely assembled and test run as a unit at operating speed or maximum RPM allowed for the particular construction type. Each wheel shall be statically and dynamically balanced in accordance with ANSI/AMCA 204-96 "Balance Quality and Vibration Levels for Fans" to Fan Application Category BV-3, Balance Quality Grade G6.3. Balance readings shall be taken by electronic type equipment in the axial, vertical, and horizontal directions on each of the bearings. Records shall be maintained and a written copy shall be available upon request.

GUARANTEE — The manufacturer shall guarantee the workmanship and materials for its SCBD Square Inline Fans for at least one (1) year from startup or eighteen (18) months from ship date, whichever occurs first.

**PROPELLER FANS | TUBEAXIAL & VANEAXIAL FANS | CENTRIFUGAL FANS & BLOWERS | ROOF VENTILATORS
AIR HEATERS & COOLERS | AIR MAKE-UP | FIBERGLASS FANS | CUSTOM FANS**



AEROVENT 
INDUSTRIAL VENTILATION SYSTEMS

AEROVENT.COM

5959 Trenton Lane N | Minneapolis, MN 55442 | Phone: 763-551-7500 | Fax: 763-551-7501