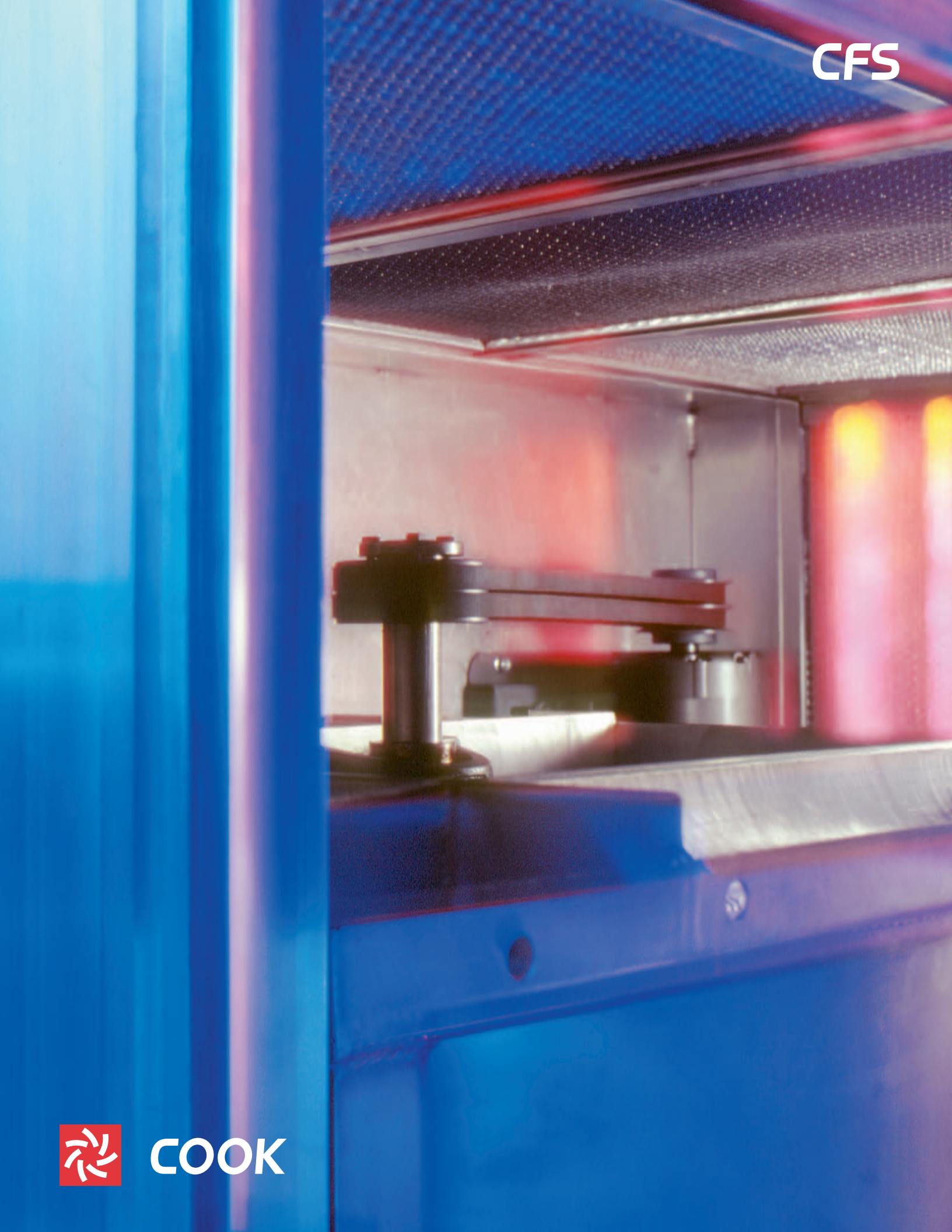


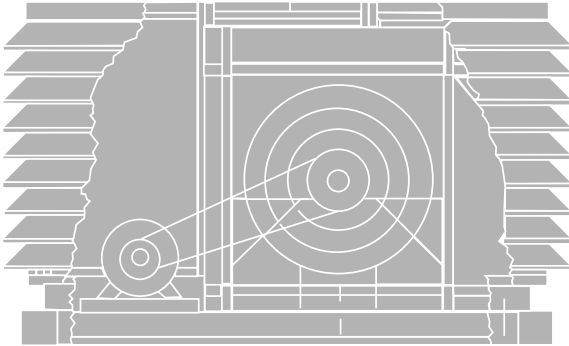
CFS



COOK

# CFS

## Centrifugal Filtered Supply Roof Blowers



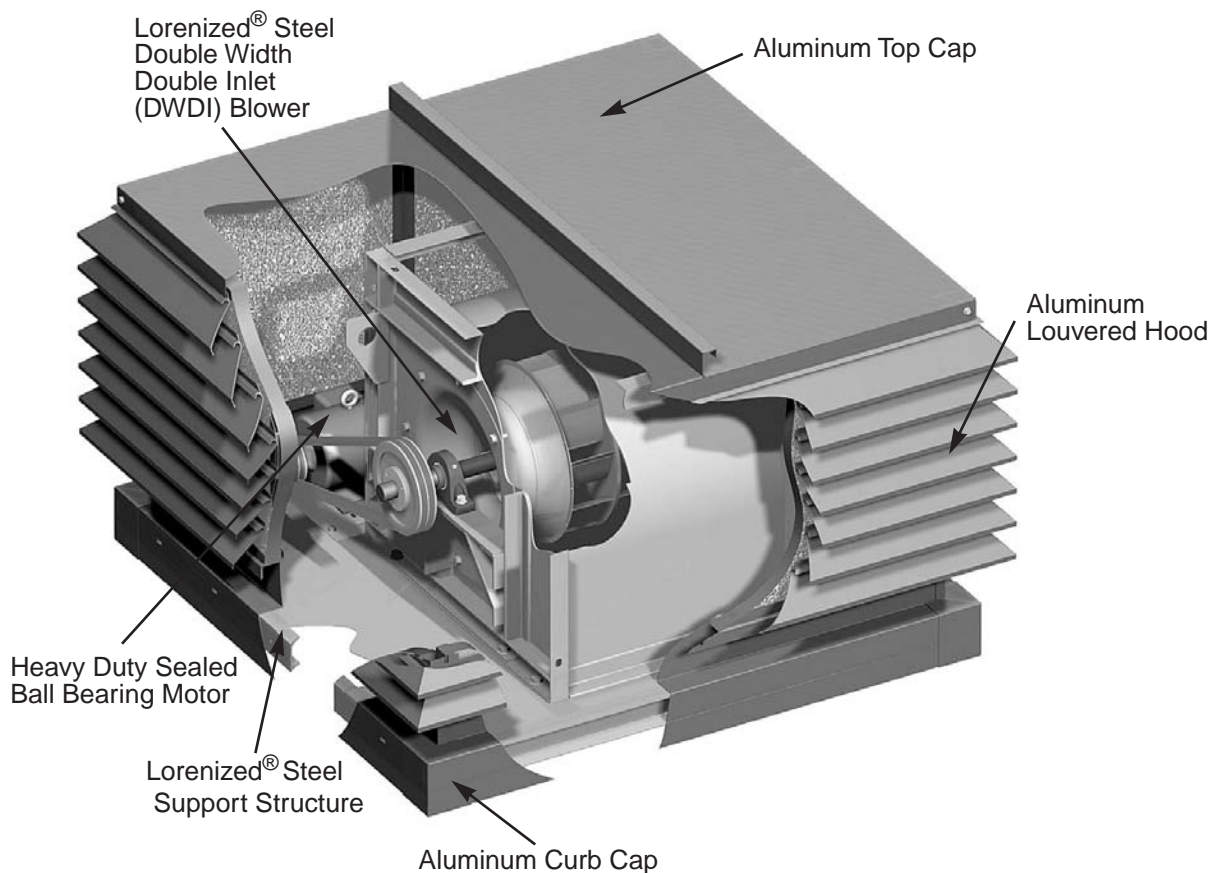
	Page
Introduction . . . . .	2
Specifications and Dimension Data . . . . .	3
Typical Installation . . . . .	4
Accessories . . . . .	5-7
<b>Performance Data</b>	
120-150 CFS . . . . .	8-9
165-195 CFS . . . . .	10-11
210-245 CFS . . . . .	12-13
270-330 CFS . . . . .	14-15
365 CFS . . . . .	16

## CFS Introduction

Loren Cook Company's CFS Centrifugal Filtered Supply Blowers are designed to supply filtered makeup air to buildings while offering a louvered design that is architecturally pleasing. The louvered penthouse design also allows for maximum airflow while providing a completely weather-proof unit.



- Performance ranges from 1,100 to 53,000 CFM with static pressures to 5" w.g.
- Available with wheel sizes from 12" to 36.5".



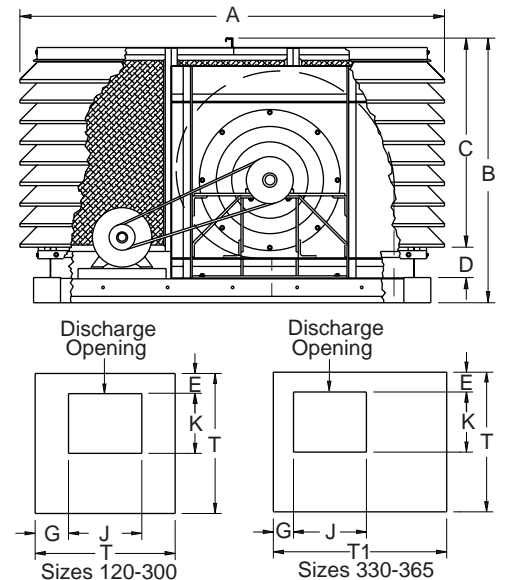
## Centrifugal Filtered Supply Blowers Roof Mounted



Type CFS is furnished standard with UL 705 listing (Power Ventilator/ZACT) when furnished with factory supplied motor.



Type CFS is furnished standard with cUL 705 listing (Power Ventilator/ZACT) when furnished with factory supplied motor.



**Description** - Blower shall be a roof mounted, filtered supply blower, belt driven double width, double inlet (DWDI), backward inclined, airfoil blade, steel wheel, belt driven, centrifugal blower type.

**Certifications** - Fan shall be manufactured at an ISO 9001 certified facility. Fan shall be listed by Underwriters Laboratories (UL 705) and UL listed for Canada (cUL 705).

**Construction** - The fan shall be of bolted and welded construction utilizing corrosion resistant fasteners. Hoods shall be louvered penthouses constructed of heavy gauge extruded aluminum and continuously welded and mitered corners and shall have removable aluminum top caps. Curb cap shall be constructed of aluminum. Support structure and blower assembly shall be constructed of steel. All units shall be equipped with 2" aluminum filters of the washable and removable type. Both the frame and media shall be of aluminum material, thus insuring long life. Unit shall bear an engraved aluminum nameplate and shall be shipped in ISTA Certified Transit Tested Packaging.

**Coating** - All steel fan components shall be Lorenized® with an electrostatically applied, baked polyester powder coating. Each component shall be subject to a five stage environmentally friendly wash system, followed by a minimum 2 mil thick baked powder finish. Paint must exceed 1,000 hour salt spray under ASTM B117 test method.

**Blower Wheels and Shafts** - Blower wheels shall be non-overloading backwardly inclined airfoil type. All wheels shall be carefully trued after assembly and dynamically balanced to insure vibration free operation. Blades on all sizes shall be continuously welded to the backplate and deep spun inlet shroud. The blower shafts shall be AISI C-1040 or C-1045 hot rolled and accurately turned and polished, close tolerances shall be maintained where shaft makes contact with the bearings. Shafting shall be sized for a critical speed of at least 125 percent of maximum RPM.

**Motor** - Motor shall be heavy duty type with permanently lubricated sealed ball bearings and furnished at the specified voltage, phase and enclosure.

**Bearings** - Bearings shall be designed and individually tested specifically for use in air handling applications. Construction shall be heavy duty regreasable ball or roller type in a cast iron pillow block housing selected for a minimum L50 life in excess of 200,000 hours at maximum cataloged operating speed.

**Belts and Drives** - Belts shall be oil and heat resistant, non-static type. Drives shall be precision machined cast iron type, keyed and securely attached to the wheel and motor shafts. All drives shall be designed for 150% of rated horsepower capabilities and motor drives shall be variable pitch through 5 horsepower. Oil resistant non-static belts shall be provided.

**Product** - Fan shall be model CFS as manufactured by Loren Cook Company of Springfield, Missouri.

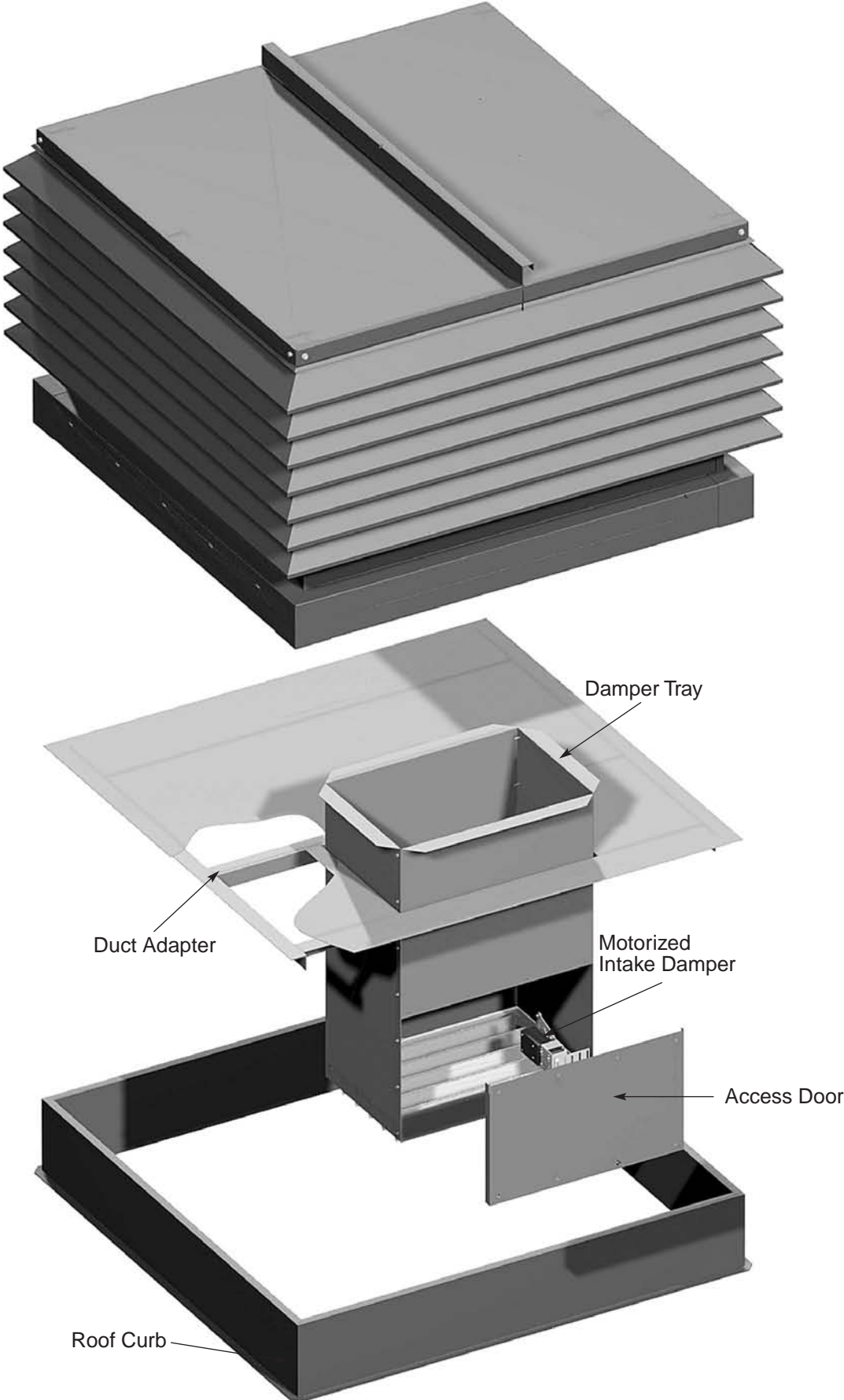
### CFS Dimension Data

Size	No. Tiers	A	B	C	D	E	G	J	K	T	T1	Max. Mtr. Frame	Ship. Weight
120	4	53	29-1/2	17-1/8	9-3/8	6-1/4	15-11/32	17-11/16	12-1/8	48-3/8	-	215T	554
135	5	58-1/4	31	20-5/8	7-1/8		16-27/32	19-15/16	13-5/8	53-5/8		215T	592
150	6	61-1/8	34-1/4	24-1/8	7-1/8		17-1/4	22	15-1/4	56-1/2		254T	710
165	7	63-7/8	37-7/8	27-5/8	7-1/4		17-5/8	24	16-15/16	59-1/4		254T	830
180	8	69-3/8	39-3/4	31-1/8	5-5/8		19-11/32	26-1/16	18-1/2	64-3/4		254T	912
195	9	72-1/4	42-3/8	34-5/8	4-3/4		19-19/32	28-7/16	19-1/2	67-5/8		256T	1045
210	10	75-1/8	45-15/16	38-1/8	4-13/16		20-1/16	30-3/8	21-5/8	70-1/2		256T	1187
225	11	78	49-7/16	41-5/8	4-13/16		20-7/16	32-1/2	23-3/16	73-3/8		256T	1258
245	11	83-3/4	50-7/16	41-5/8	5-13/16		22-1/32	35-1/16	25-1/2	79-1/8		284T	1563
270	14	89	61-15/16	52-1/8	6-13/16		22-15/32	39-7/16	27-1/2	84-3/8		286T	1964
300	15	94-1/4	65-7/16	55-1/8	6-13/16		23-5/16	43	31-3/16	89-5/8		324T	2522
330	17	93 x 112-1/2	72-1/4	62-5/8	6-5/8		13-9/16	23-7/16	47-1/16	34-1/2		88-7/8	108-1/8
365	18	93 x 121	75-3/4	66-1/8	6-5/8	10-1/4	25-1/2	52-3/16	38-11/16	88-7/8	116-15/16	364T	3312

All dimensions in inches. Weights in pounds.

# CFS Typical Installation

(Optional accessories shown)



### Typical Disconnect Switches



**NEMA 1** - Indoor general purpose.

**NEMA 1 (Lockable)** - Indoor general purpose with locking capability.

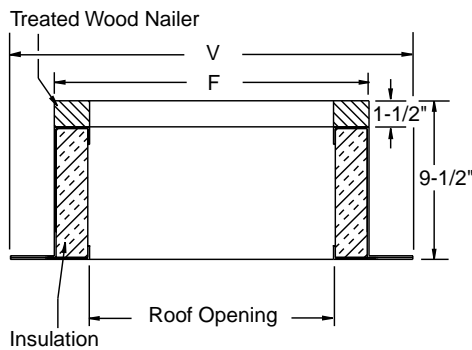
**NEMA 1 (Heavy Duty, Lockable)** - Indoor heavy duty visible blade.

**NEMA 3R** - Exterior mount, rain-tight.

**NEMA 4** - Water-tight and dust-tight.

**NEMA 7 and NEMA 9** - Lockable, indoor, explosion proof.

### Roof Curb



#### Standard Construction Features

- Minimum 16 gauge galvanized steel.
- 1-1/2", 3 lbs. density thermal and accoustical insulation.
- Continuously welded corners.
- CCA pressure treated wood nailer.

#### Options

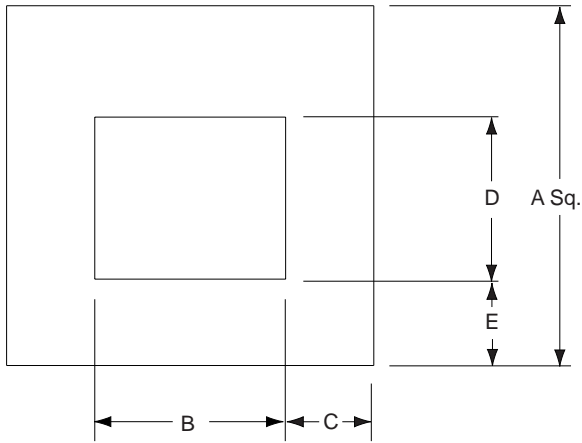
- No wood nailer (deduct 1-1/2" for actual height).
- 13-1/2" tall construction.

### Galvanized Steel Roof Curb Dimension Data

CFS Unit	Catalog Number	F Sq.	V Sq.	Roof Opening
120	RCGH-46	46-1/2	50-1/2	43-1/2
135	RCGH-52	52-1/2	56-1/2	49-1/2
150	RCGH-54	54-1/2	58-1/2	51-1/2
165	RCGH-57	57-1/2	61-1/2	54-1/2
180	RCGH-63	63-1/2	67-1/2	60-1/2
195	RCGH-66	66-1/2	70-1/2	63-1/2
210	RCGH-68	68-1/2	72-1/2	65-1/2
225	RCGH-71	71-1/2	75-1/2	68-1/2
245	RCGH-77	77-1/2	81-1/2	74-1/2
270	RCGH-82	82-1/2	86-1/2	79-1/2
300	RCGH-88	88-1/2	92-1/2	85-1/2
330	RCGH-87 x 106	87 x 106	91 x 110	84 x 103
356	RCGH-87 x 115	87 x 115	91 x 119	84 x 112

All dimensions in inches. When motor operated damper is used, a wood nailer is required.

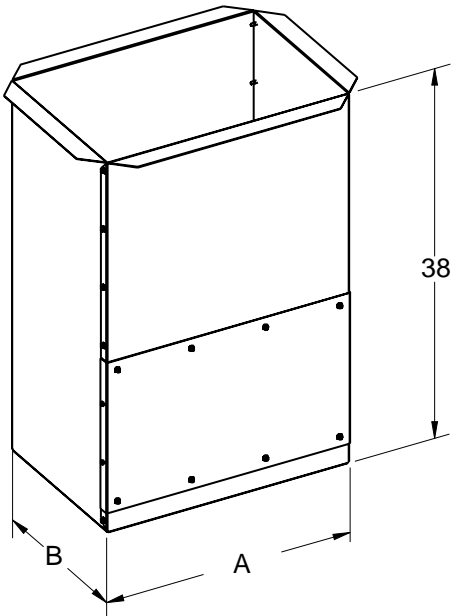
## Duct Adapter



CFS Unit	A	B	C	D	E
120	46-1/2	18-5/8	13-15/16	13-5/8	4-7/16
135	52-1/2	20-5/8	15-15/16	14-5/8	5-1/16
150	54-1/2	23-5/8	15-7/16	16-5/8	4-7/16
165	57-1/2	25-5/8	15-15/16	17-5/8	4-15/16
180	63-1/2	27-5/8	17-15/16	19-5/8	4-15/16
195	66-1/2	29-5/8	18-7/16	20-5/8	5
210	68-1/2	31-5/8	18-7/16	22-5/8	4-9/16
225	71-1/2	33-5/8	18-15/16	24-5/8	4-7/16
245	77-1/2	36-5/8	20-7/16	26-5/8	4-11/16
270	82-1/2	40-5/8	20-15/16	28-5/8	4-9/16
300	88-1/2	44-5/8	21-15/16	32-5/8	4-13/16
330	87 x 106	48-5/8	36-1/16	35-5/8	12-3/16
356	87 x 115	53-5/8	37-7/8	39-5/8	9-1/4

All dimensions in inches.

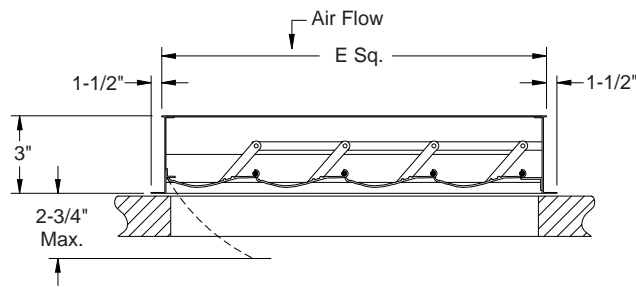
## Damper Tray



Unit Size	A	B	Damper Size	Roof Opening
120	18	13	12-1/2 x 17-1/2	17 x 22
135	20	14	13-1/2 x 19-1/2	18 x 24
150	23	16	15-1/2 x 22-1/2	20 x 27
165	25	17	16-1/2 x 24-1/2	21 x 29
180	27	19	18-1/2 x 26-1/2	23 x 31
195	29	20	19-1/2 x 28-1/2	24 x 33
210	31	22	21-1/2 x 30-1/2	26 x 35
225	33	24	23-1/2 x 32-1/2	28 x 37
245	36	26	25-1/2 x 35-1/2	30 x 40
270	40	28	27-1/2 x 39-1/2	32 x 44
300	44	32	31-1/2 x 43-1/2	36 x 48
330	48	35	34-1/2 x 47-1/2	39 x 52
365	53	39	38-1/2 x 52-1/2	43 x 57

All dimensions in inches.

### Gravity Backdraft Damper

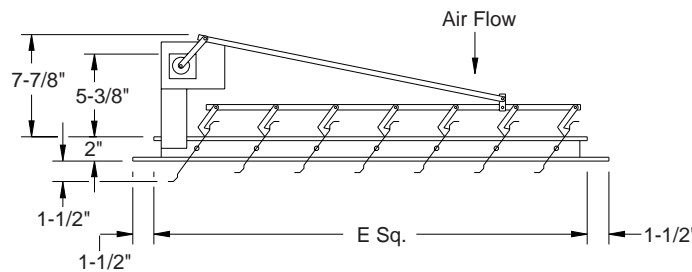


Gravity dampers feature an extruded aluminum frame, aluminum blades and aluminum hinge pins with nylon bushings.

Unit Size	A	B
120	17-11/16	12-1/8
135	19-15/16	13-5/8
150	22	15-1/4
165	24	16-15/16
180	26-1/16	18-1/2
195	28-7/16	19-1/2
210	30-3/8	21-5/8
225	32-1/2	23-3/16
245	35-1/16	25-1/2
270	39-7/16	27-1/2
300	43	31-3/16
330	47-1/16	34-1/2
365	52-3/16	38-11/16

All dimensions in inches.

### Motorized Backdraft Damper



Motorized dampers feature an extruded aluminum frame, aluminum blades and aluminum hinge pins with nylon bushings. Motors are shipped loose for field installation. Available voltages include 115V, 230V, and 460V.

Unit Size	A	B
120	17-11/16	12-1/8
135	19-15/16	13-5/8
150	22	15-1/4
165	24	16-15/16
180	26-1/16	18-1/2
195	28-7/16	19-1/2
210	30-3/8	21-5/8
225	32-1/2	23-3/16
245	35-1/16	25-1/2
270	39-7/16	27-1/2
300	43	31-3/16
330	47-1/16	34-1/2
365	52-3/16	38-11/16

All dimensions in inches.

### Additional Accessories:

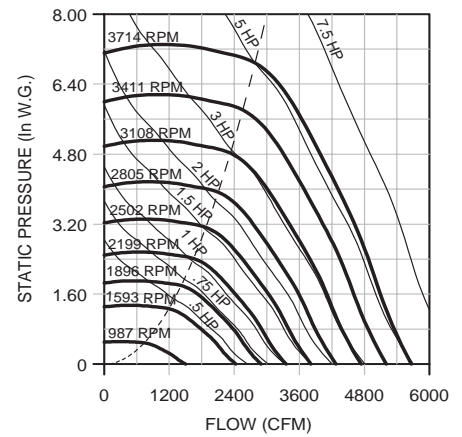
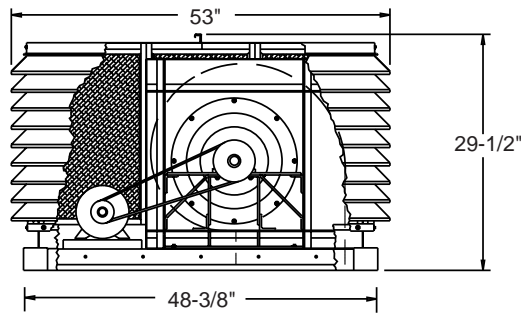
- Aluminum Wheel
- All Aluminum Construction
- Side Discharge
- Internal Vibration Isolation Base
- Hurricane Resistant Construction



# 120-150 CFS Performance Data

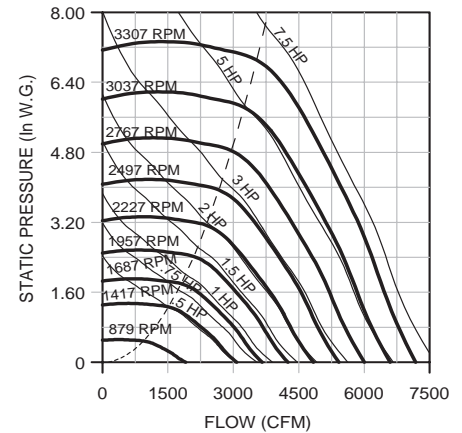
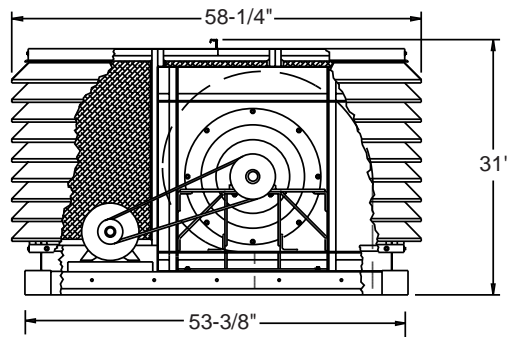
## 120 CFS

- Wheel Diameter** = 12"
- Wheel Type** = Airfoil
- Tip Speed (FPM)** = 3.21 x RPM
- Max. BHP** = .10 (RPM/1000)<sup>3</sup>
- Outlet Area** = 1.49 Sq. Ft.
- Filter Area** = 16.49 Sq. Ft.
- Max RPM** = 3714



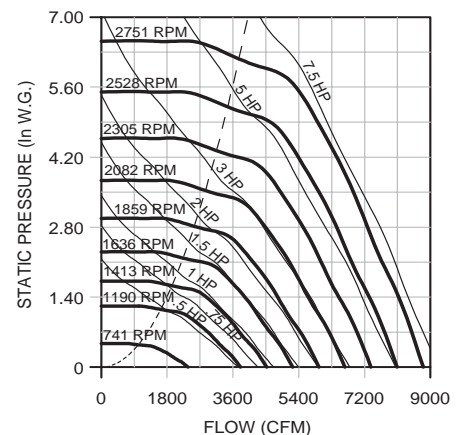
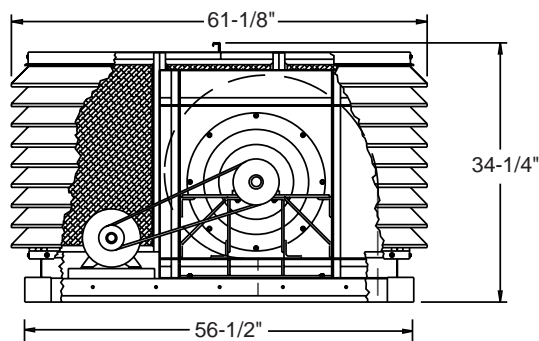
## 135 CFS

- Wheel Diameter** = 13.5"
- Wheel Type** = Airfoil
- Tip Speed (FPM)** = 3.53 x RPM
- Max. BHP** = .19 (RPM/1000)<sup>3</sup>
- Outlet Area** = 1.89 Sq. Ft.
- Filter Area** = 23.02 Sq. Ft.
- Max RPM** = 3307



## 150 CFS

- Wheel Diameter** = 15"
- Wheel Type** = Airfoil
- Tip Speed (FPM)** = 3.93 x RPM
- Max. BHP** = .34 (RPM/1000)<sup>3</sup>
- Outlet Area** = 2.33 Sq. Ft.
- Filter Area** = 29.04 Sq. Ft.
- Max RPM** = 2751



**120 CFS**

CFM	VEL	1" SP		1-1/4" SP		1-1/2" SP		1-3/4" SP		2" SP		2-1/2" SP		3" SP		4" SP		5" SP	
		RPM	BHP	RPM	BHP	RPM	BHP	RPM	BHP	RPM	BHP	RPM	BHP	RPM	BHP	RPM	BHP	RPM	BHP
1100	739	1422	.28																
1350	907	1494	.34	1619	.43	1743	.52												
1600	1075	1595	.42	1704	.50	1811	.60	1916	.71	2021	.82								
1850	1243	1709	.52	1811	.62	1907	.71	2000	.81	2092	.92	2274	1.17	2454	1.45				
2100	1411	1830	.64	1926	.75	2017	.85	2103	.96	2187	1.07	2349	1.31	2510	1.59				
2350	1579	1954	.77	2047	.90	2133	1.01	2216	1.14	2295	1.26	2446	1.50	2591	1.76	2879	2.39		
2600	1747	2086	.93	2171	1.06	2254	1.20	2334	1.33	2410	1.46	2554	1.73	2690	2.00	2953	2.60	3212	3.31
2850	1915	2225	1.13	2301	1.26	2379	1.40	2456	1.55	2529	1.69	2668	1.98	2798	2.27	3044	2.87	3282	3.56
3100	2083	2370	1.36	2438	1.48	2509	1.63	2581	1.78	2652	1.94	2786	2.26	2912	2.58	3148	3.21	3370	3.88
3350	2251	2520	1.63	2582	1.76	2646	1.90	2711	2.05	2778	2.22	2907	2.56	3029	2.91	3258	3.59	3470	4.28
3600	2419	2673	1.95	2730	2.08	2787	2.21	2847	2.37	2908	2.53	3032	2.90	3151	3.27	3372	4.00	3578	4.74
3850	2587	2826	2.30	2881	2.44	2934	2.58	2989	2.73	3045	2.90	3159	3.26	3274	3.65	3489	4.44	3690	5.23
4100	2755	2981	2.70	3034	2.85	3085	3.00	3135	3.15	3186	3.31	3292	3.67	3400	4.07	3610	4.92		
4350	2923	3136	3.13	3188	3.30	3237	3.46	3284	3.62	3332	3.78	3429	4.13	3531	4.54				
4600	3091	3292	3.62	3343	3.80	3390	3.97	3436	4.14	3481	4.31	3571	4.66	3665	5.06				
4850	3259	3445	4.14	3497	4.35	3544	4.54	3589	4.72	3632	4.89								
5100	3427	3603	4.72	3654	4.95	3699	5.15												

Performance shown is for CFS with outlet ducts. BHP does not include drive loss.

**135 CFS**

CFM	VEL	1" SP		1-1/4" SP		1-1/2" SP		1-3/4" SP		2" SP		2-1/2" SP		3" SP		4" SP		5" SP	
		RPM	BHP	RPM	BHP	RPM	BHP	RPM	BHP	RPM	BHP	RPM	BHP	RPM	BHP	RPM	BHP	RPM	BHP
1400	740	1266	.36																
1700	899	1326	.42	1437	.54	1548	.66												
2000	1058	1411	.52	1508	.63	1604	.75	1699	.89	1793	1.03								
2300	1216	1506	.64	1597	.76	1683	.88	1767	1.01	1850	1.15	2014	1.47						
2600	1375	1606	.78	1693	.91	1775	1.05	1852	1.18	1928	1.32	2075	1.62	2220	1.97				
2900	1534	1711	.94	1794	1.09	1872	1.24	1946	1.38	2017	1.53	2153	1.84	2285	2.17	2546	2.96		
3200	1693	1820	1.12	1898	1.28	1973	1.45	2044	1.61	2113	1.77	2242	2.10	2365	2.44	2604	3.20	2840	4.10
3500	1851	1935	1.34	2006	1.50	2077	1.68	2146	1.86	2212	2.04	2337	2.40	2454	2.75	2677	3.51	2895	4.39
3800	2010	2056	1.60	2119	1.76	2185	1.94	2250	2.13	2314	2.33	2435	2.72	2549	3.11	2762	3.89	2964	4.75
4100	2169	2181	1.91	2238	2.07	2298	2.25	2358	2.44	2419	2.65	2536	3.07	2647	3.49	2852	4.33	3045	5.19
4400	2328	2308	2.26	2361	2.42	2415	2.60	2471	2.79	2527	3.00	2640	3.45	2747	3.91	2947	4.81	3133	5.71
4700	2486	2437	2.66	2488	2.83	2537	3.01	2587	3.19	2640	3.41	2746	3.87	2850	4.35	3045	5.32	3225	6.28
5000	2645	2567	3.11	2616	3.29	2662	3.47	2709	3.66	2756	3.86	2856	4.33	2955	4.83	3145	5.86		
5300	2804	2698	3.60	2745	3.80	2790	3.99	2833	4.18	2877	4.39	2969	4.85	3063	5.36	3247	6.44		
5600	2962	2829	4.14	2875	4.36	2918	4.57	2960	4.77	3001	4.97	3086	5.42	3174	5.93				
5900	3121	2960	4.74	3005	4.98	3048	5.20	3088	5.41	3127	5.62	3206	6.07	3288	6.57				
6200	3280	3090	5.38	3136	5.65	3177	5.89	3217	6.12	3255	6.34								
6500	3439	3222	6.08	3267	6.37														

Performance shown is for CFS with outlet ducts. BHP does not include drive loss.

**150 CFS**

CFM	VEL	1" SP		1-1/4" SP		1-1/2" SP		1-3/4" SP		2" SP		2-1/2" SP		3" SP		4" SP		5" SP	
		RPM	BHP	RPM	BHP	RPM	BHP	RPM	BHP	RPM	BHP	RPM	BHP	RPM	BHP	RPM	BHP	RPM	BHP
1600	686	1113	.40																
2000	858	1134	.47	1256	.61	1366	.74												
2400	1030	1188	.56	1284	.69	1386	.85	1487	1.01	1582	1.18								
2800	1201	1269	.70	1351	.83	1431	.97	1514	1.13	1602	1.31	1775	1.70	1930	2.08				
3200	1373	1355	.85	1433	1.00	1507	1.16	1577	1.31	1647	1.47	1796	1.86	1950	2.30	2226	3.17		
3600	1545	1449	1.04	1520	1.21	1590	1.38	1657	1.54	1720	1.71	1845	2.07	1976	2.49	2247	3.48	2491	4.46
4000	1716	1551	1.25	1614	1.43	1678	1.62	1741	1.81	1803	2.00	1918	2.37	2030	2.77	2268	3.73	2511	4.84
4400	1888	1657	1.49	1715	1.69	1772	1.90	1831	2.11	1889	2.31	2001	2.73	2105	3.14	2310	4.04	2531	5.16
4800	2060	1765	1.78	1821	1.99	1873	2.21	1926	2.43	1979	2.66	2085	3.11	2187	3.56	2377	4.48	2568	5.52
5200	2231	1872	2.13	1929	2.33	1979	2.56	2027	2.79	2077	3.04	2175	3.53	2272	4.02	2455	4.99	2627	6.01
5600	2403	1977	2.52	2036	2.73	2087	2.96	2133	3.21	2178	3.46	2268	3.99	2360	4.51	2538	5.57	2702	6.62
6000	2575	2084	2.98	2142	3.19	2194	3.42	2241	3.67	2284	3.93	2368	4.49	2453	5.05	2623	6.18		
6400	2746	2192	3.50	2247	3.72	2300	3.94	2348	4.19	2391	4.46	2472	5.04	2551	5.64	2710	6.84		
6800	2918	2304	4.07	2354	4.31	2406	4.54	2455	4.79	2499	5.06	2578	5.64	2652	6.26				
7200	3090	2418	4.71	2463	4.96	2512	5.21	2561	5.47	2606	5.73	2686	6.31						
7600	3261	2532	5.40	2575	5.69	2620	5.95	2666	6.21	2712	6.48								
8000	3433	2650	6.17	2689	6.48	2730	6.77												

Performance shown is for CFS with outlet ducts. BHP does not include drive loss.

# 165-195 CFS Performance Data

## 165 CFS

Wheel Diameter = 16.5"

Wheel Type = Airfoil

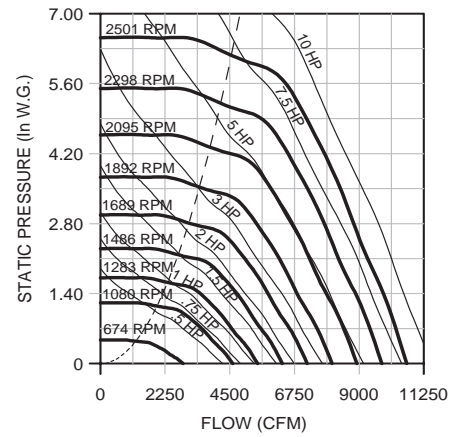
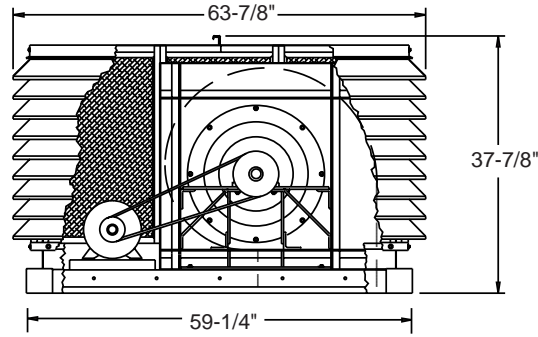
Tip Speed (FPM) = 4.32 x RPM

Max. BHP = .55 (RPM/1000)<sup>3</sup>

Outlet Area = 2.82 Sq. Ft.

Filter Area = 35.77 Sq. Ft.

Max RPM = 2501



## 180 CFS

Wheel Diameter = 18"

Wheel Type = Airfoil

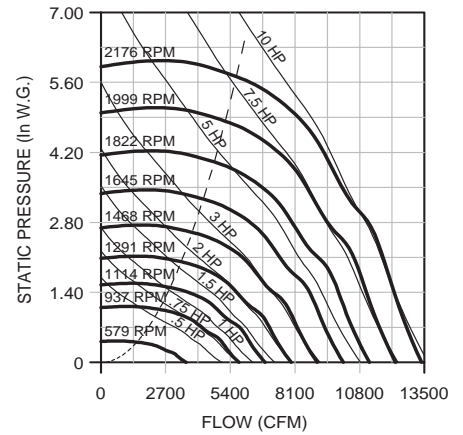
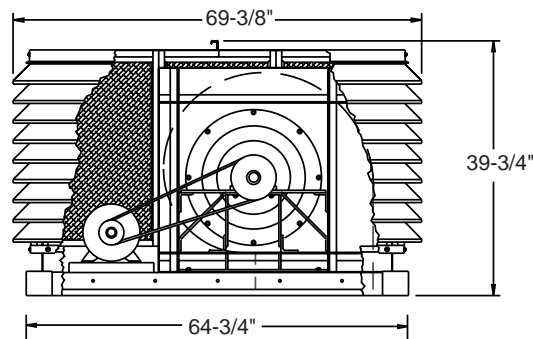
Tip Speed (FPM) = 4.712 x RPM

Max. BHP = .99 (RPM/1000)<sup>3</sup>

Outlet Area = 3.35 Sq. Ft.

Filter Area = 43.69 Sq. Ft.

Max RPM = 2176



## 195 CFS

Wheel Diameter = 19.5"

Wheel Type = Airfoil

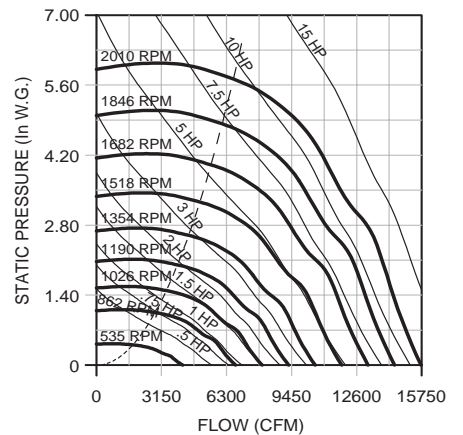
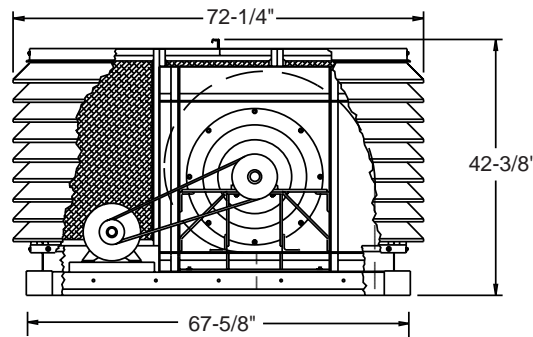
Tip Speed (FPM) = 5.105 x RPM

Max. BHP = 1.48 (RPM/1000)<sup>3</sup>

Outlet Area = 3.94 Sq. Ft.

Filter Area = 51.66 Sq. Ft.

Max RPM = 2010



**165 CFS**

CFM	VEL	1" SP		1-1/4" SP		1-1/2" SP		1-3/4" SP		2" SP		2-1/2" SP		3" SP		4" SP		5" SP	
		RPM	BHP	RPM	BHP	RPM	BHP	RPM	BHP	RPM	BHP	RPM	BHP	RPM	BHP	RPM	BHP	RPM	BHP
1900	673	1010	.47																
2400	851	1030	.56	1141	.73	1241	.89												
2900	1028	1080	.68	1167	.83	1259	1.02	1352	1.22	1438	1.42								
3400	1205	1156	.85	1230	1.01	1302	1.17	1377	1.37	1457	1.59	1614	2.06	1755	2.52				
3900	1382	1237	1.05	1307	1.23	1374	1.41	1437	1.60	1500	1.79	1634	2.26	1774	2.80	2025	3.86		
4400	1560	1326	1.28	1390	1.49	1453	1.69	1513	1.90	1571	2.10	1683	2.54	1799	3.04	2044	4.24	2266	5.44
4900	1737	1422	1.54	1478	1.77	1536	2.00	1593	2.23	1648	2.46	1753	2.92	1853	3.40	2065	4.55	2285	5.91
5400	1914	1522	1.86	1574	2.10	1626	2.36	1677	2.61	1730	2.86	1831	3.37	1925	3.87	2109	4.97	2305	6.30
5900	2092	1623	2.23	1674	2.48	1721	2.75	1769	3.03	1816	3.30	1911	3.86	2003	4.41	2173	5.52	2343	6.78
6400	2269	1723	2.67	1775	2.92	1821	3.20	1865	3.49	1908	3.79	1995	4.39	2083	4.99	2248	6.19	2402	7.42
6900	2446	1822	3.19	1875	3.44	1922	3.72	1964	4.01	2005	4.33	2085	4.97	2167	5.63	2327	6.92	2475	8.21
7400	2624	1922	3.78	1975	4.04	2023	4.31	2065	4.61	2105	4.94	2180	5.62	2255	6.31	2407	7.70		
7900	2801	2025	4.45	2074	4.72	2122	5.00	2166	5.30	2206	5.63	2278	6.32	2348	7.06	2491	8.55		
8400	2978	2130	5.19	2175	5.49	2222	5.78	2266	6.07	2307	6.40	2379	7.11	2445	7.87				
8900	3156	2238	6.01	2279	6.34	2322	6.65	2365	6.95	2407	7.28	2480	7.99						
9400	3333	2347	6.92	2384	7.27	2424	7.61	2465	7.93										

Performance shown is for CFS with outlet ducts. BHP does not include drive loss.

**180 CFS**

CFM	VEL	1" SP		1-1/4" SP		1-1/2" SP		1-3/4" SP		2" SP		2-1/2" SP		3" SP		4" SP		5" SP	
		RPM	BHP	RPM	BHP	RPM	BHP	RPM	BHP	RPM	BHP	RPM	BHP	RPM	BHP	RPM	BHP	RPM	BHP
2400	716	911	.58																
3000	895	936	.70	1030	.88	1118	1.08												
3600	1074	974	.83	1061	1.04	1143	1.26	1221	1.48	1296	1.72								
4200	1253	1025	.99	1102	1.21	1178	1.45	1252	1.70	1322	1.95	1455	2.48	1580	3.04				
4800	1432	1093	1.21	1157	1.43	1223	1.67	1291	1.94	1357	2.21	1484	2.79	1603	3.38	1823	4.64		
5400	1611	1165	1.49	1226	1.71	1283	1.95	1341	2.21	1401	2.50	1520	3.11	1633	3.75	1844	5.08	2039	6.51
6000	1791	1232	1.80	1298	2.06	1353	2.31	1404	2.56	1456	2.84	1563	3.47	1671	4.15	1873	5.58	2061	7.08
6600	1970	1293	2.13	1367	2.44	1426	2.73	1476	3.00	1523	3.28	1616	3.88	1714	4.57	1908	6.10	2088	7.68
7200	2149	1368	2.54	1426	2.84	1494	3.18	1548	3.49	1595	3.79	1681	4.40	1768	5.08	1948	6.64	2122	8.32
7800	2328	1453	3.03	1496	3.31	1554	3.66	1616	4.03	1667	4.37	1753	5.02	1832	5.69	1994	7.23	2160	8.99
8400	2507	1542	3.60	1578	3.89	1621	4.21	1676	4.59	1734	4.99	1826	5.72	1903	6.41	2050	7.92		
9000	2686	1633	4.26	1666	4.56	1700	4.87	1742	5.22	1793	5.62	1896	6.47	1976	7.23	2115	8.75		
9600	2865	1725	4.99	1756	5.31	1786	5.63	1820	5.97	1859	6.34	1959	7.24	2048	8.11				
10200	3044	1818	5.81	1847	6.15	1876	6.49	1905	6.83	1937	7.20	2019	8.06	2114	9.03				
10800	3223	1911	6.72	1939	7.08	1966	7.44	1994	7.81	2022	8.18	2087	8.98	2174	9.97				
11400	3402	2003	7.71	2032	8.12	2058	8.50	2084	8.88	2110	9.26	2165	10.10						
12000	3582	2096	8.80	2125	9.25	2150	9.64	2175	10.00										

Performance shown is for CFS with outlet ducts. BHP does not include drive loss.

**195 CFS**

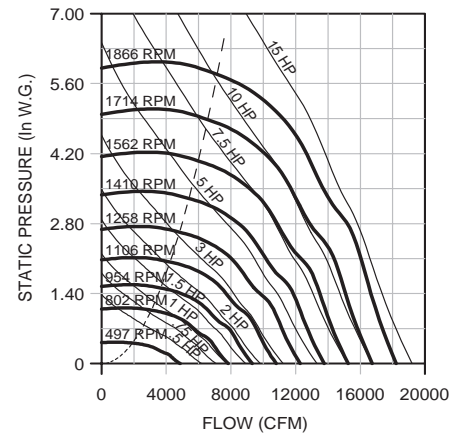
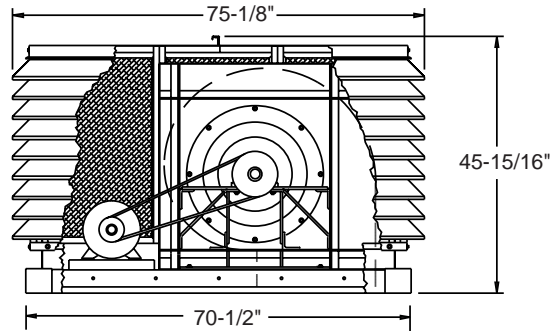
CFM	VEL	1" SP		1-1/4" SP		1-1/2" SP		1-3/4" SP		2" SP		2-1/2" SP		3" SP		4" SP		5" SP	
		RPM	BHP	RPM	BHP	RPM	BHP	RPM	BHP	RPM	BHP	RPM	BHP	RPM	BHP	RPM	BHP	RPM	BHP
2900	736	844	.70																
3600	913	868	.83	954	1.06	1035	1.29												
4300	1091	903	.99	983	1.24	1058	1.50	1130	1.77	1199	2.04								
5000	1269	952	1.18	1022	1.45	1092	1.73	1159	2.02	1224	2.32	1346	2.95	1461	3.61				
5700	1446	1015	1.45	1073	1.70	1134	1.99	1196	2.30	1257	2.63	1373	3.31	1482	4.00	1685	5.50		
6400	1624	1082	1.78	1138	2.05	1190	2.32	1243	2.63	1297	2.96	1407	3.69	1511	4.45	1705	6.02	1884	7.70
7100	1802	1142	2.14	1204	2.45	1255	2.75	1302	3.05	1349	3.37	1447	4.11	1546	4.92	1732	6.60	1905	8.37
7800	1979	1198	2.52	1266	2.90	1321	3.24	1368	3.56	1411	3.89	1497	4.60	1586	5.41	1764	7.20	1930	9.07
8500	2157	1268	3.01	1321	3.37	1383	3.77	1434	4.15	1478	4.50	1557	5.21	1636	6.00	1801	7.84	1961	9.82
9200	2335	1347	3.60	1386	3.93	1438	4.33	1496	4.78	1543	5.17	1623	5.94	1696	6.73	1844	8.53	1997	10.60
9900	2512	1429	4.28	1462	4.61	1500	4.98	1550	5.42	1604	5.90	1690	6.76	1761	7.58	1896	9.35		
10600	2690	1512	5.04	1542	5.39	1574	5.76	1611	6.16	1658	6.64	1754	7.64	1828	8.53	1956	10.30		
11300	2868	1597	5.90	1625	6.28	1653	6.65	1684	7.05	1720	7.50	1812	8.55	1893	9.56				
12000	3045	1681	6.85	1709	7.27	1735	7.66	1762	8.06	1791	8.49	1866	9.49	1954	10.60				
12700	3223	1767	7.92	1793	8.35	1818	8.77	1843	9.19	1869	9.63	1929	10.60	2009	11.70				
13400	3401	1852	9.09	1878	9.55	1903	10.00	1926	10.40	1950	10.90	2001	11.80						
14100	3578	1937	10.40	1963	10.90	1987	11.40	2010	11.80										

Performance shown is for CFS with outlet ducts. BHP does not include drive loss.

# 210-245 CFS Performance Data

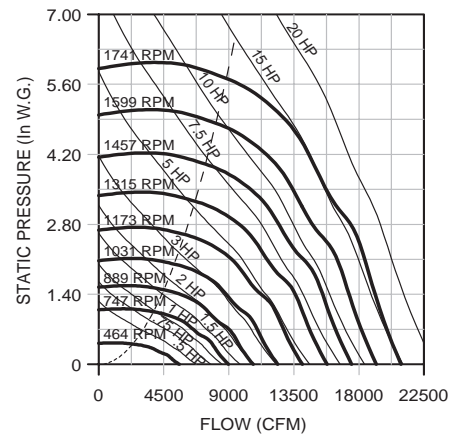
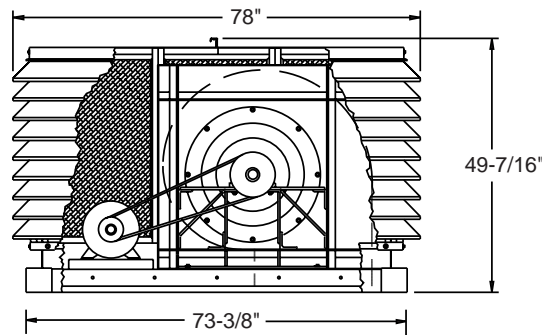
## 210 CFS

- Wheel Diameter = 21"
- Wheel Type = Airfoil
- Tip Speed (FPM) = 5.498 x RPM
- Max. BHP = 2.14 (RPM/1000)<sup>3</sup>
- Outlet Area = 4.56 Sq. Ft.
- Filter Area = 60.21 Sq. Ft.
- Max RPM = 1866



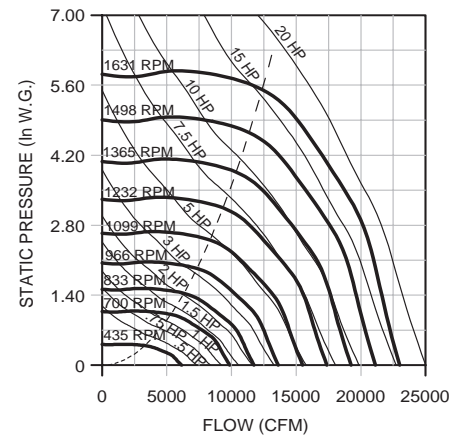
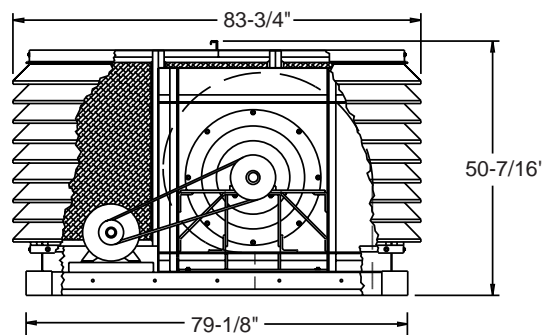
## 225 CFS

- Wheel Diameter = 22.5"
- Wheel Type = Airfoil
- Tip Speed (FPM) = 5.89 x RPM
- Max. BHP = 3.02 (RPM/1000)<sup>3</sup>
- Outlet Area = 5.24 Sq. Ft.
- Filter Area = 68.93 Sq. Ft.
- Max RPM = 1741



## 245 CFS

- Wheel Diameter = 24.5"
- Wheel Type = Airfoil
- Tip Speed (FPM) = 6.414 x RPM
- Max. BHP = 4.20 (RPM/1000)<sup>3</sup>
- Outlet Area = 6.21 Sq. Ft.
- Filter Area = 75.12 Sq. Ft.
- Max RPM = 1631



**210 CFS**

CFM	VEL	1" SP		1-1/4" SP		1-1/2" SP		1-3/4" SP		2" SP		2-1/2" SP		3" SP		4" SP		5" SP	
		RPM	BHP	RPM	BHP	RPM	BHP	RPM	BHP	RPM	BHP	RPM	BHP	RPM	BHP	RPM	BHP	RPM	BHP
3300	723	782	.79																
4100	899	804	.95	884	1.21	959	1.48												
4900	1074	835	1.13	910	1.42	980	1.71	1047	2.02	1111	2.33								
5700	1250	878	1.34	944	1.64	1010	1.97	1073	2.31	1133	2.65	1248	3.37	1355	4.13				
6500	1425	934	1.63	990	1.93	1047	2.26	1106	2.63	1163	3.00	1271	3.77	1373	4.57				
7300	1600	995	2.00	1047	2.30	1096	2.62	1147	2.98	1199	3.38	1301	4.21	1399	5.08	1581	6.90	1748	8.83
8100	1776	1052	2.41	1108	2.76	1155	3.10	1199	3.44	1244	3.82	1337	4.68	1430	5.61	1604	7.54	1765	9.56
8900	1951	1103	2.84	1166	3.26	1216	3.65	1259	4.01	1300	4.40	1381	5.22	1466	6.17	1633	8.23	1788	10.40
9700	2127	1164	3.37	1216	3.79	1274	4.25	1320	4.67	1360	5.07	1435	5.90	1510	6.82	1666	8.95	1816	11.20
10500	2302	1235	4.02	1273	4.40	1325	4.89	1378	5.39	1421	5.84	1494	6.70	1563	7.62	1704	9.72	1848	12.10
11300	2478	1309	4.76	1341	5.16	1379	5.59	1428	6.11	1478	6.65	1556	7.63	1621	8.55	1749	10.60		
12100	2653	1386	5.62	1414	6.02	1445	6.45	1482	6.93	1528	7.49	1615	8.61	1683	9.62	1803	11.70		
12900	2828	1463	6.58	1489	7.00	1516	7.44	1545	7.89	1582	8.43	1669	9.63	1743	10.80	1861	12.90		
13700	3004	1540	7.64	1566	8.10	1591	8.56	1616	9.01	1645	9.52	1719	10.70	1800	12.00				
14500	3179	1618	8.82	1643	9.31	1667	9.80	1690	10.30	1715	10.80	1774	11.90	1852	13.30				
15300	3355	1696	10.10	1721	10.70	1744	11.20	1766	11.70	1788	12.20	1837	13.30						
16100	3530	1773	11.50	1798	12.10	1821	12.70	1842	13.20	1863	13.70								
16900	3706	1852	13.10																

Performance shown is for CFS with outlet ducts. BHP does not include drive loss.

**225 CFS**

CFM	VEL	1" SP		1-1/4" SP		1-1/2" SP		1-3/4" SP		2" SP		2-1/2" SP		3" SP		4" SP		5" SP	
		RPM	BHP	RPM	BHP	RPM	BHP	RPM	BHP	RPM	BHP	RPM	BHP	RPM	BHP	RPM	BHP	RPM	BHP
3800	725	730	.92																
4700	896	749	1.09	825	1.39	895	1.70												
5600	1068	778	1.29	848	1.62	914	1.96	976	2.30	1036	2.67								
6500	1240	817	1.53	879	1.87	941	2.25	999	2.63	1056	3.03	1163	3.85	1263	4.71				
7400	1412	868	1.85	920	2.19	974	2.57	1029	2.98	1083	3.42	1184	4.30	1280	5.22				
8300	1583	924	2.26	972	2.60	1018	2.97	1066	3.38	1115	3.83	1211	4.78	1303	5.78	1473	7.85		
9200	1755	977	2.72	1028	3.11	1071	3.49	1113	3.89	1155	4.32	1243	5.30	1330	6.36	1494	8.57	1645	10.90
10100	1927	1023	3.20	1081	3.67	1127	4.10	1168	4.53	1205	4.94	1283	5.91	1363	6.99	1519	9.33	1665	11.80
11000	2099	1077	3.77	1128	4.26	1181	4.78	1223	5.24	1261	5.71	1331	6.65	1402	7.71	1549	10.10	1690	12.70
11900	2270	1141	4.48	1178	4.93	1228	5.48	1277	6.04	1316	6.54	1385	7.54	1449	8.57	1583	11.00	1718	13.70
12800	2442	1209	5.31	1239	5.75	1277	6.26	1324	6.86	1369	7.46	1441	8.55	1503	9.62	1624	12.00		
13700	2614	1278	6.24	1305	6.70	1335	7.19	1372	7.76	1416	8.40	1496	9.65	1558	10.80	1671	13.10		
14600	2786	1349	7.30	1374	7.78	1400	8.28	1428	8.80	1463	9.40	1547	10.80	1614	12.10	1724	14.50		
15500	2958	1420	8.47	1443	8.97	1467	9.50	1492	10.00	1520	10.60	1593	12.00	1667	13.40				
16400	3129	1491	9.76	1514	10.30	1536	10.90	1559	11.40	1582	12.00	1641	13.30	1716	14.80				
17300	3301	1562	11.20	1585	11.80	1606	12.40	1627	12.90	1649	13.50	1697	14.80						
18200	3473	1633	12.70	1656	13.40	1677	14.00	1697	14.60	1717	15.20								
19100	3645	1705	14.40	1728	15.20														

Performance shown is for CFS with outlet ducts. BHP does not include drive loss.

**245 CFS**

CFM	VEL	1" SP		1-1/4" SP		1-1/2" SP		1-3/4" SP		2" SP		2-1/2" SP		3" SP		4" SP		5" SP	
		RPM	BHP	RPM	BHP	RPM	BHP	RPM	BHP	RPM	BHP	RPM	BHP	RPM	BHP	RPM	BHP	RPM	BHP
5400	869	697	1.22																
6300	1014	719	1.40	784	1.76														
7200	1159	751	1.62	809	2.00	866	2.41	923	2.84										
8100	1304	788	1.90	842	2.29	893	2.71	944	3.15	995	3.62								
9000	1449	826	2.23	878	2.62	927	3.05	973	3.51	1020	4.01	1111	5.03						
9900	1594	866	2.61	917	3.04	964	3.47	1008	3.93	1051	4.43	1135	5.50	1218	6.63				
10800	1739	909	3.03	956	3.50	1002	3.96	1046	4.44	1087	4.94	1165	6.03	1242	7.21	1394	9.74		
11700	1884	955	3.49	998	4.01	1042	4.52	1084	5.02	1124	5.52	1200	6.63	1272	7.84	1413	10.40		
12600	2028	1007	4.06	1042	4.55	1083	5.12	1123	5.66	1163	6.21	1237	7.32	1306	8.53	1438	11.20	1569	14.10
13500	2173	1062	4.72	1091	5.19	1127	5.77	1165	6.37	1202	6.94	1275	8.11	1342	9.32	1468	12.00	1591	15.00
14400	2318	1120	5.50	1144	5.93	1174	6.48	1208	7.11	1244	7.75	1313	8.98	1380	10.20	1502	13.00	1617	16.00
15300	2463	1179	6.37	1200	6.80	1225	7.31	1254	7.91	1286	8.58	1354	9.94	1418	11.20	1538	14.00		
16200	2608	1239	7.36	1258	7.79	1280	8.29	1304	8.84	1332	9.49	1395	10.90	1458	12.30	1575	15.10		
17100	2753	1299	8.43	1318	8.90	1337	9.39	1358	9.92	1382	10.50	1438	12.00	1499	13.50	1613	16.40		
18000	2898	1360	9.63	1378	10.10	1395	10.60	1414	11.10	1435	11.70	1484	13.10	1540	14.70				
18900	3043	1421	10.90	1438	11.50	1455	12.00	1471	12.50	1490	13.10	1533	14.40	1584	16.00				
19800	3188	1482	12.40	1499	12.90	1515	13.50	1531	14.00	1547	14.50	1585	15.80	1630	17.40				
20700	3333	1544	13.90	1560	14.50	1575	15.00	1590	15.60	1606	16.20								
21600	3478	1605	15.60	1621	16.20														

Performance shown is for CFS with outlet ducts. BHP does not include drive loss.

# 270-330 CFS Performance Data

## 270 CFS

Wheel Diameter = 27"

Wheel Type = Airfoil

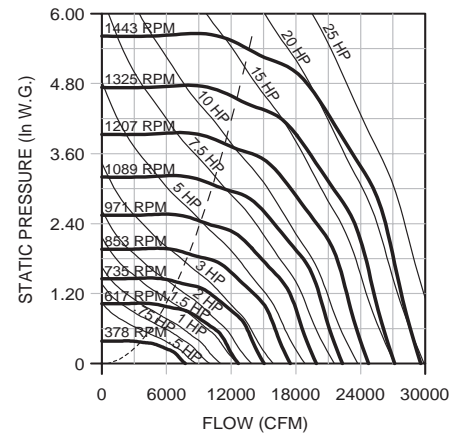
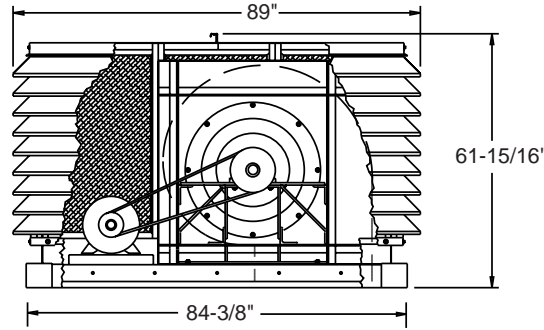
Tip Speed (FPM) = 7.069 x RPM

Max. BHP = 7.15 (RPM/1000)<sup>3</sup>

Outlet Area = 7.54 Sq. Ft.

Filter Area = 102.3 Sq. Ft.

Max RPM = 1443



## 300 CFS

Wheel Diameter = 30"

Wheel Type = Airfoil

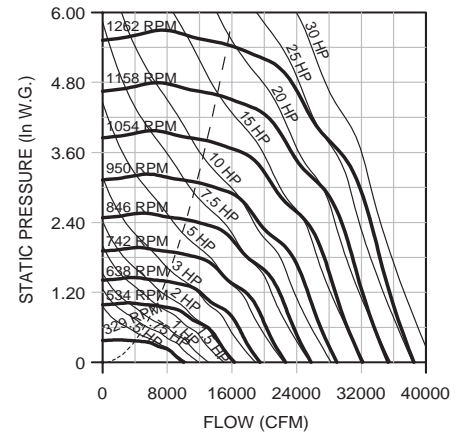
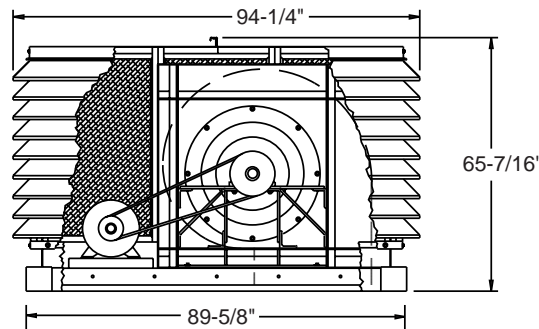
Tip Speed (FPM) = 7.854 x RPM

Max. BHP = 13.8 (RPM/1000)<sup>3</sup>

Outlet Area = 9.31 Sq. Ft.

Filter Area = 117.3 Sq. Ft.

Max RPM = 1262



## 330 CFS

Wheel Diameter = 33"

Wheel Type = Airfoil

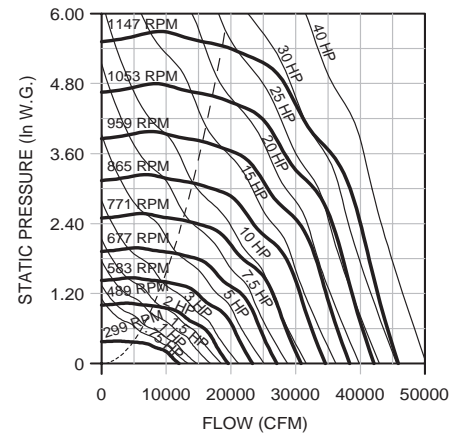
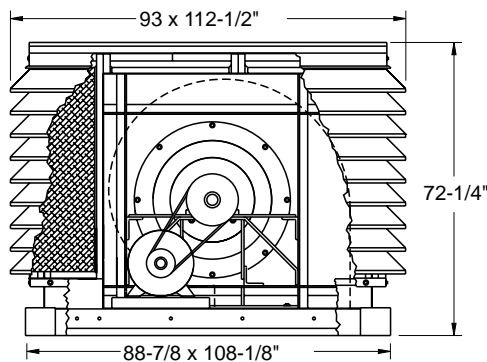
Tip Speed (FPM) = 8.639 x RPM

Max. BHP = 22.2 (RPM/1000)<sup>3</sup>

Outlet Area = 11.27 Sq. Ft.

Filter Area = 146.4 Sq. Ft.

Max RPM = 1147



**270 CFS**

CFM	VEL	1" SP		1-1/4" SP		1-1/2" SP		1-3/4" SP		2" SP		2-1/2" SP		3" SP		4" SP		5" SP	
		RPM	BHP	RPM	BHP	RPM	BHP	RPM	BHP	RPM	BHP	RPM	BHP	RPM	BHP	RPM	BHP	RPM	BHP
6100	809	625	1.35																
7400	981	637	1.59	705	2.02														
8700	1153	659	1.88	717	2.32	777	2.82	833	3.32	884	3.84								
10000	1326	694	2.26	743	2.71	793	3.21	845	3.75	897	4.32	992	5.50						
11300	1498	732	2.71	779	3.20	823	3.71	867	4.25	912	4.83	1004	6.10	1090	7.42				
12600	1671	771	3.23	817	3.77	860	4.32	900	4.88	939	5.46	1019	6.73	1101	8.12	1254	11.10		
13900	1843	811	3.81	856	4.41	898	5.01	937	5.61	974	6.22	1045	7.51	1118	8.92	1266	12.00	1400	15.30
15200	2015	857	4.51	896	5.13	937	5.79	976	6.45	1012	7.10	1079	8.43	1144	9.84	1278	13.00	1413	16.50
16500	2188	911	5.40	940	5.95	977	6.64	1015	7.36	1051	8.08	1117	9.49	1178	10.90	1298	14.10	1424	17.70
17800	2360	967	6.42	991	6.97	1020	7.60	1054	8.34	1090	9.13	1155	10.60	1215	12.20	1327	15.40	1440	19.00
19100	2533	1026	7.62	1046	8.16	1070	8.77	1097	9.46	1129	10.20	1194	11.90	1254	13.60	1362	16.90		
20400	2705	1086	8.99	1104	9.54	1124	10.10	1146	10.80	1172	11.50	1234	13.30	1293	15.10	1399	18.60		
21700	2877	1147	10.50	1163	11.10	1180	11.70	1199	12.30	1221	13.00	1274	14.80	1332	16.60	1437	20.40		
23000	3050	1207	12.20	1223	12.80	1239	13.40	1255	14.10	1274	14.80	1317	16.40	1371	18.30				
24300	3222	1268	14.10	1284	14.80	1299	15.40	1314	16.10	1329	16.70	1367	18.30	1412	20.10				
25600	3395	1329	16.10	1344	16.90	1359	17.60	1373	18.20	1387	18.90	1419	20.40						
26900	3567	1389	18.30	1405	19.20	1419	19.90	1433	20.70										

Performance shown is for CFS with outlet ducts. BHP does not include drive loss.

**300 CFS**

CFM	VEL	1" SP		1-1/4" SP		1-1/2" SP		1-3/4" SP		2" SP		2-1/2" SP		3" SP		4" SP		5" SP	
		RPM	BHP	RPM	BHP	RPM	BHP	RPM	BHP	RPM	BHP	RPM	BHP	RPM	BHP	RPM	BHP	RPM	BHP
6700	719	541	1.53																
8500	912	552	1.82	610	2.33	664	2.88												
10300	1106	570	2.16	622	2.70	675	3.31	724	3.95	770	4.60								
12100	1299	606	2.71	647	3.21	690	3.78	735	4.44	781	5.17	864	6.65	940	8.19				
13900	1493	640	3.27	685	3.93	722	4.51	758	5.12	796	5.80	875	7.35	950	9.04	1085	12.60		
15700	1686	669	3.85	718	4.63	760	5.39	794	6.06	826	6.72	892	8.19	962	9.91	1095	13.70	1214	17.70
17500	1879	707	4.73	747	5.36	791	6.21	831	7.09	865	7.90	923	9.37	981	11.00	1106	14.80	1224	19.10
19300	2073	754	5.88	784	6.42	820	7.11	861	8.05	899	9.03	961	10.80	1014	12.40	1121	16.10	1235	20.50
21100	2266	805	7.19	830	7.81	858	8.41	890	9.12	927	10.10	997	12.30	1052	14.20	1147	17.80	1249	22.10
22900	2459	859	8.68	880	9.39	903	10.00	929	10.70	959	11.50	1026	13.60	1088	15.90	1183	19.90		
24700	2653	914	10.40	933	11.20	953	11.90	975	12.60	998	13.30	1055	15.10	1118	17.50	1222	22.30		
26500	2846	970	12.30	988	13.20	1005	14.00	1024	14.80	1044	15.50	1090	17.10	1146	19.20	1258	24.60		
28300	3039	1026	14.40	1043	15.30	1060	16.30	1076	17.20	1094	18.00	1133	19.60	1180	21.40				
30100	3233	1081	16.70	1099	17.80	1115	18.80	1130	19.80	1146	20.70	1180	22.50	1219	24.20				
31900	3426	1137	19.40	1155	20.50	1170	21.60	1185	22.60	1200	23.70	1231	25.70						
33700	3619	1193	22.20	1210	23.50	1226	24.60	1241	25.80	1255	26.90								
35500	3813	1249	25.40																

Performance shown is for CFS with outlet ducts. BHP does not include drive loss.

**330 CFS**

CFM	VEL	1" SP		1-1/4" SP		1-1/2" SP		1-3/4" SP		2" SP		2-1/2" SP		3" SP		4" SP		5" SP	
		RPM	BHP	RPM	BHP	RPM	BHP	RPM	BHP	RPM	BHP	RPM	BHP	RPM	BHP	RPM	BHP	RPM	BHP
8100	718	492	1.85																
10200	905	501	2.18	555	2.83	603	3.47												
12300	1091	516	2.57	565	3.23	613	3.97	657	4.74	699	5.53								
14400	1277	547	3.19	585	3.80	625	4.50	667	5.29	708	6.15	784	7.98	853	9.80				
16500	1464	578	3.86	618	4.63	652	5.33	685	6.05	721	6.88	794	8.77	862	10.80	985	15.00		
18600	1650	603	4.51	648	5.45	685	6.34	716	7.13	745	7.90	807	9.68	872	11.80	994	16.40	1102	21.10
20700	1836	635	5.48	673	6.27	714	7.32	749	8.33	779	9.26	832	11.00	887	12.90	1004	17.70	1111	22.90
22800	2023	675	6.77	704	7.42	739	8.31	776	9.43	811	10.60	865	12.60	913	14.50	1015	19.00	1120	24.40
24900	2209	719	8.25	742	8.95	770	9.70	802	10.70	836	11.90	898	14.40	946	16.50	1035	20.80	1131	26.10
27000	2395	767	9.98	786	10.80	808	11.50	833	12.30	862	13.30	925	15.90	980	18.60	1065	23.20		
29100	2582	815	11.90	832	12.80	851	13.60	871	14.40	895	15.30	950	17.60	1008	20.60	1098	25.90		
31200	2768	864	14.00	880	15.00	896	16.00	914	16.90	933	17.70	979	19.70	1032	22.40	1131	28.70		
33300	2954	914	16.40	929	17.50	944	18.60	960	19.60	976	20.60	1014	22.40	1059	24.70				
35400	3141	963	19.10	978	20.30	993	21.50	1007	22.60	1022	23.70	1054	25.70	1092	27.70				
37500	3327	1013	22.10	1028	23.40	1042	24.60	1055	25.80	1068	27.00	1097	29.20	1129	31.30				
39600	3513	1063	25.40	1078	26.80	1091	28.10	1104	29.40	1117	30.70	1143	33.20						
41700	3700	1112	29.00	1127	30.40	1141	31.90												
43800	3886																		

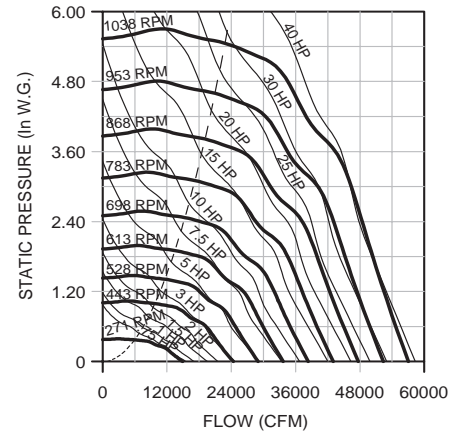
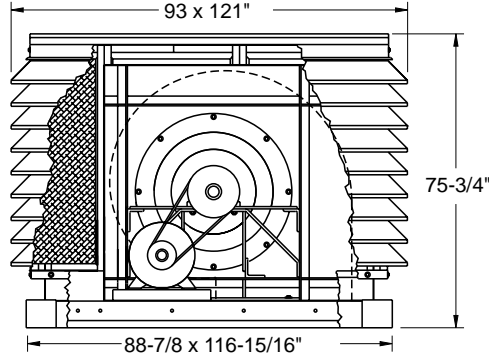
Performance shown is for CFS with outlet ducts. BHP does not include drive loss.



# 365 CFS Performance Data

## 365 CFS

- Wheel Diameter = 36.5"**
- Wheel Type = Airfoil**
- Tip Speed (FPM) = 9.556 x RPM**
- Max. BHP = 36.8 (RPM/1000)<sup>3</sup>**
- Outlet Area = 13.79 Sq. Ft.**
- Filter Area = 171.3 Sq. Ft.**
- Max RPM = 1038**



## 365 CFS

CFM	VEL	1" SP		1-1/4" SP		1-1/2" SP		1-3/4" SP		2" SP		2-1/2" SP		3" SP		4" SP		5" SP		
		RPM	BHP	RPM	BHP	RPM	BHP	RPM	BHP	RPM	BHP	RPM	BHP	RPM	BHP	RPM	BHP	RPM	BHP	
9900	717	445	2.27																	
12600	913	454	2.70	502	3.49	546	4.29													
15300	1109	469	3.22	512	4.01	555	4.92	595	5.87	633	6.86									
18000	1305	500	4.06	534	4.82	568	5.64	605	6.61	642	7.67	710	9.91	773	12.20					
20700	1501	528	4.91	566	5.92	596	6.78	625	7.67	656	8.68	720	11.00	782	13.50	892	18.80			
23400	1696	553	5.84	592	6.94	628	8.13	657	9.17	682	10.10	735	12.30	791	14.70	901	20.50	998	26.40	
26100	1892	589	7.32	617	8.11	652	9.31	687	10.70	715	11.90	762	14.10	809	16.40	910	22.10	1007	28.60	
28800	2088	631	9.19	653	9.93	679	10.80	710	12.10	742	13.60	795	16.30	837	18.70	924	24.10	1016	30.60	
31500	2284	674	11.30	694	12.20	715	13.00	738	14.00	765	15.20	824	18.50	870	21.40	947	26.70	1028	32.90	
34200	2480	718	13.50	737	14.70	756	15.70	774	16.60	795	17.60	846	20.40	899	24.00	979	30.10			
36900	2675	763	16.00	781	17.50	798	18.70	815	19.70	833	20.70	873	23.00	922	26.30	1011	33.70			
39600	2871	808	18.90	825	20.40	842	21.90	858	23.20	874	24.30	907	26.40	947	29.10					
42300	3067	853	22.00	870	23.70	886	25.40	902	27.00	917	28.30	947	30.60	979	32.90					
45000	3263	898	25.50	915	27.30	931	29.20	946	30.90	961	32.60	989	35.30	1017	37.60					
47700	3459	945	29.60	961	31.40	976	33.30	991	35.30	1005	37.10	1032	40.40							
50400	3654	990	33.80	1006	35.80	1021	37.90	1035	39.90											
53100	3850	1037	38.70																	

Performance shown is for CFS with outlet ducts. BHP does not include drive loss.



## **LOREN COOK COMPANY**

2015 E. DALE STREET  
SPRINGFIELD, MO 65803-4637  
417.869.6474  
FAX 417.862.3820  
[lorencook.com](http://lorencook.com)