

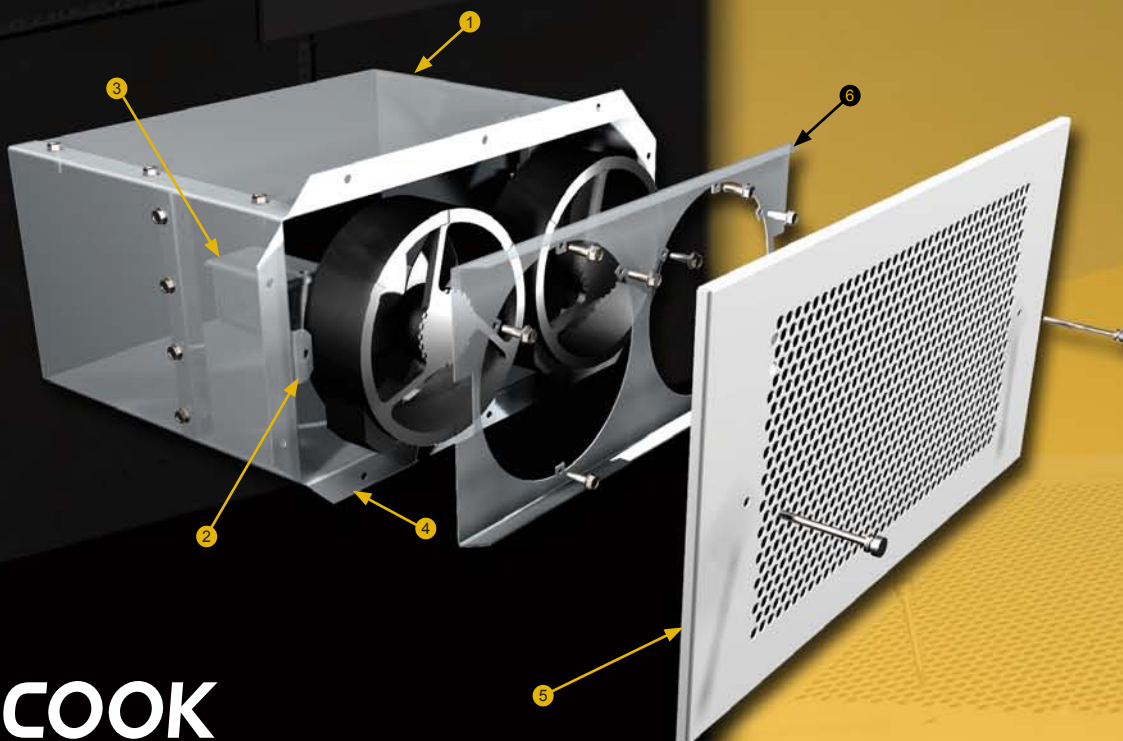


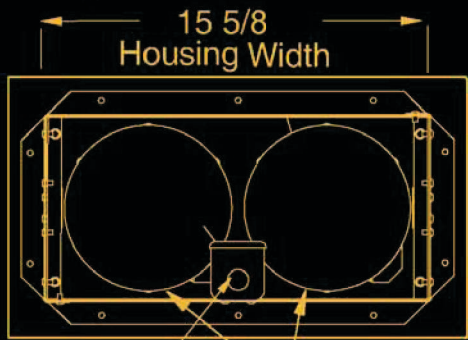
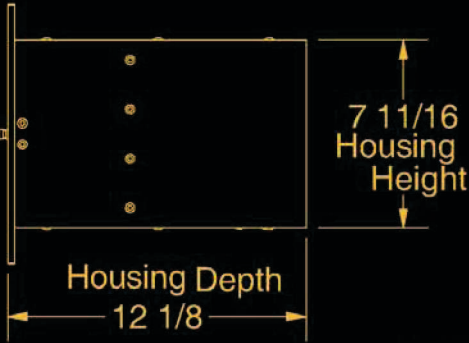
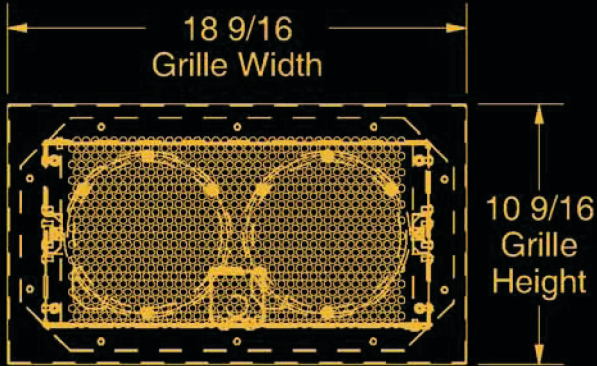
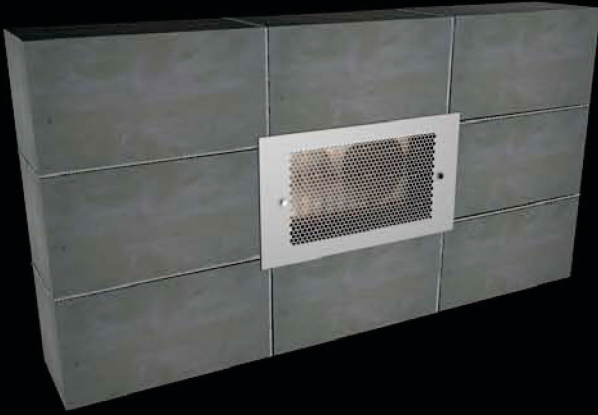
Model CBF direct drive transfer fans are ideal for ventilating equipment rooms, plumbing & electrical chases or nearly any confined space. The compact design and maintenance free motors provide an economic solution to small ventilating challenges. The efficient propeller and venturi result in quiet operation.

- Mountable in any wall construction
- Fits in place of a standard 16 by 8 inch cinder block
- Performance to 540 CFM and up to 0.4 in. wg
- Available in supply or exhaust configuration
- Mounting flanges for easy installation

#### STANDARD CONSTRUCTION FEATURES:

- 1 Corrosion resistant galvanized steel housing
- 2 Tinnerman clips for grille mounting
- 3 Junction box for easy wiring
- 4 Mounting flanges
- 5 Powder coated steel grille
- 6 Easily removable internal assembly



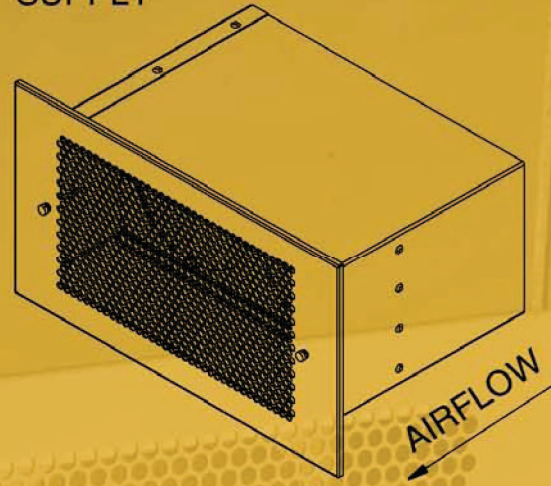


Electrical Connection  
Dual Axial Fans

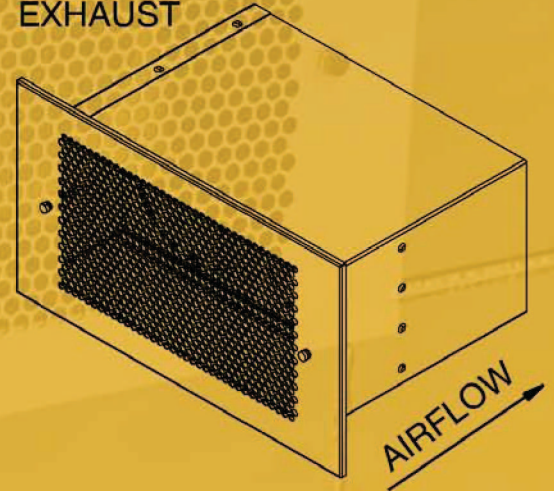
**ACCESSORIES:**

- Fan Speed Control
- Second Grille

SUPPLY



EXHAUST



**CBF - Performance Data**

Model	Max Watts	Air Performance						
		SP	0.000"	0.100"	0.125"	0.250"	0.375"	0.400"
CBF	82	CFM	539	487	472	361	233	218



**LOREN COOK COMPANY**

2015 E. DALE STREET  
SPRINGFIELD, MO 65803-4637

417.869.6474

FAX 417.862.3820

lorencook.com